



US00D532104S

(12) **United States Design Patent** (10) **Patent No.:** **US D532,104 S**
Pickett (45) **Date of Patent:** **** Nov. 14, 2006**

(54) **FAN BLADE BRACKET**

(76) Inventor: **Mark Pickett**, 1419 E. Palm St.,
Altadena, CA (US) 91001

(**) Term: **14 Years**

(21) Appl. No.: **29/245,923**

(22) Filed: **Dec. 30, 2005**

(51) **LOC (8) Cl.** **23-04**

(52) **U.S. Cl.** **D23/411**

(58) **Field of Classification Search** D23/377,
D23/379, 385, 411, 413; 416/5

See application file for complete search history.

(56) **References Cited**

U.S. PATENT DOCUMENTS

D345,206 S * 3/1994 DiPasquale D23/411
D367,321 S * 2/1996 Holbrook D23/411

* cited by examiner

Primary Examiner—Lisa Lichtenstein

(74) *Attorney, Agent, or Firm*—Parsons & Goltry; Michael
W. Goltry; Robert A. Parsons

(57) **CLAIM**

The ornamental design for a fan blade bracket, as shown and
described.

DESCRIPTION

FIG. 1 is a top perspective view of a fan blade bracket
showing my new design;

FIG. 2 is a bottom perspective view thereof;

FIG. 3 is a top plan view thereof;

FIG. 4 is a bottom plan view thereof;

FIG. 5 is a right side elevational view thereof;

FIG. 6 is a left side elevational view thereof;

FIG. 7 is a front elevational view thereof; and,

FIG. 8 is a rear elevational view thereof.

The broken lines in the views show environmental features,
which are for illustrative purposes only and form no part of
the claimed design.

1 Claim, 4 Drawing Sheets

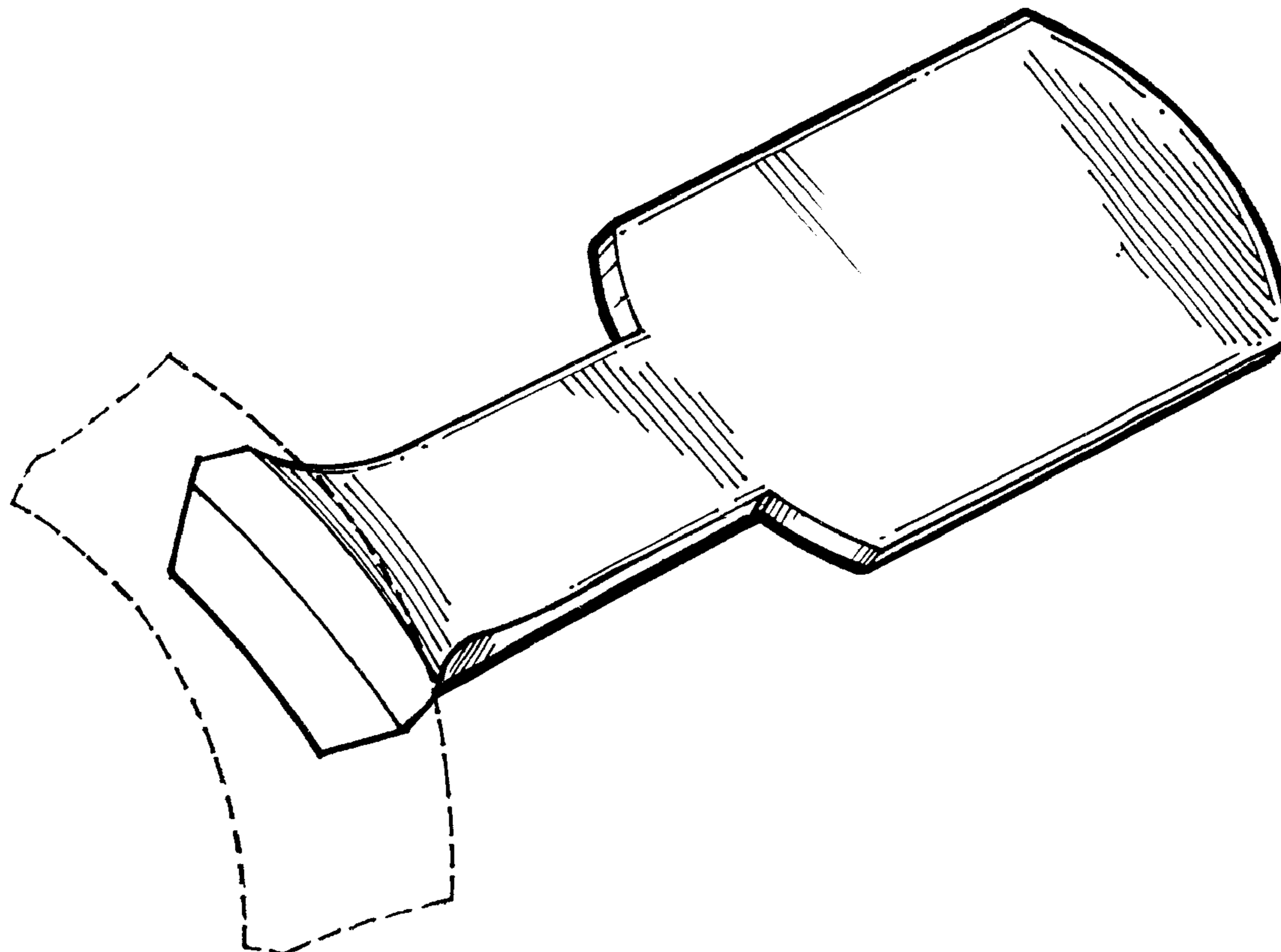


FIGURE 1

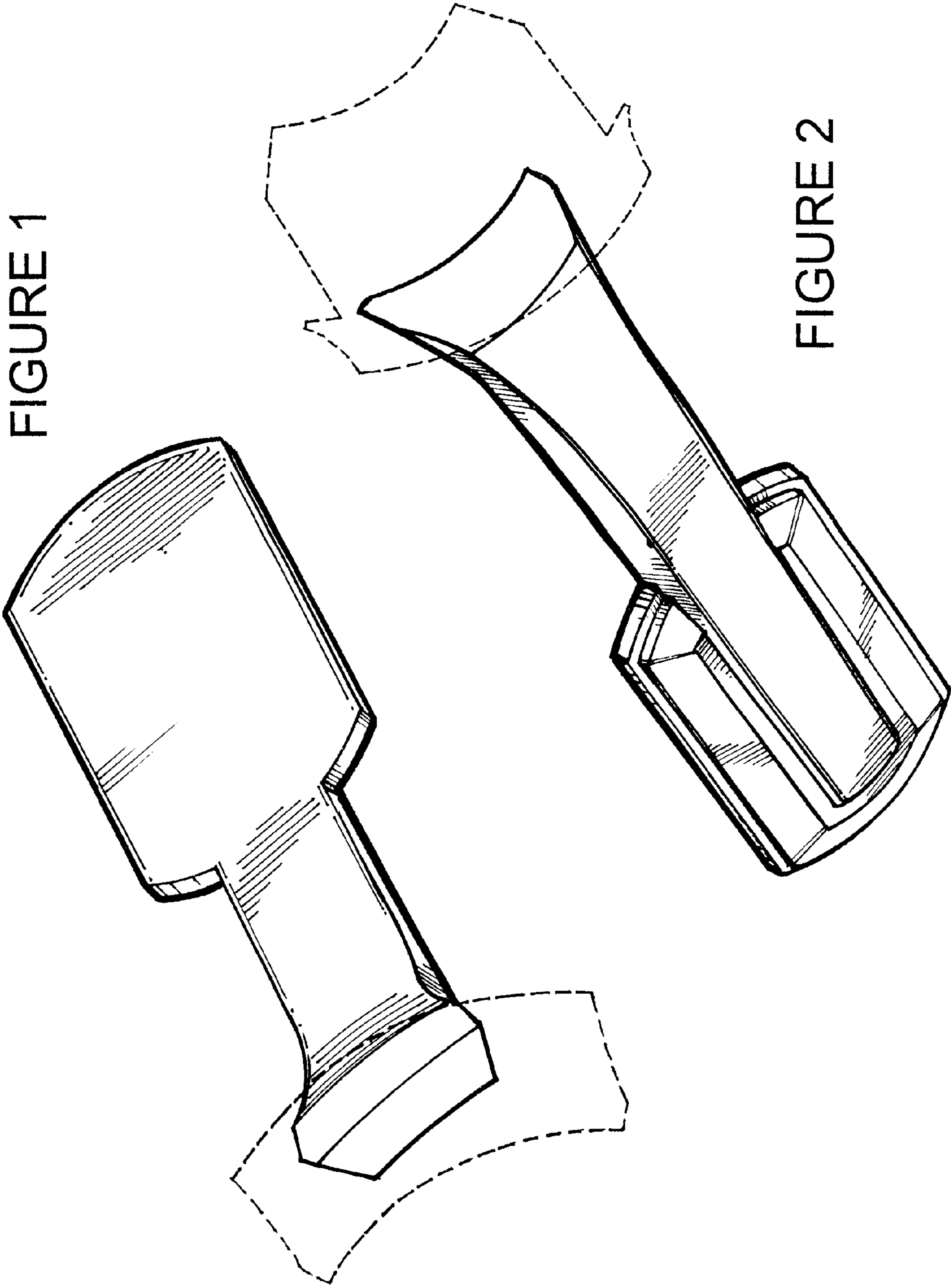


FIGURE 2

FIGURE 3

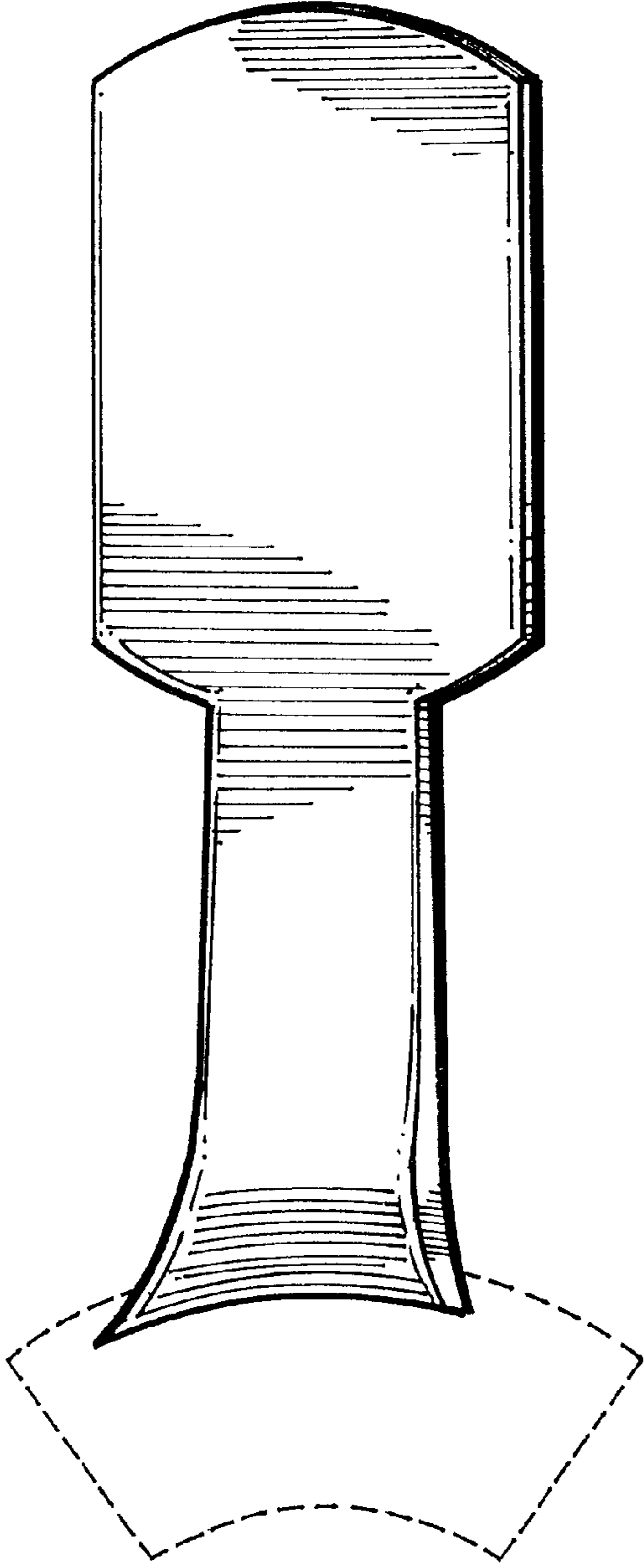


FIGURE 4

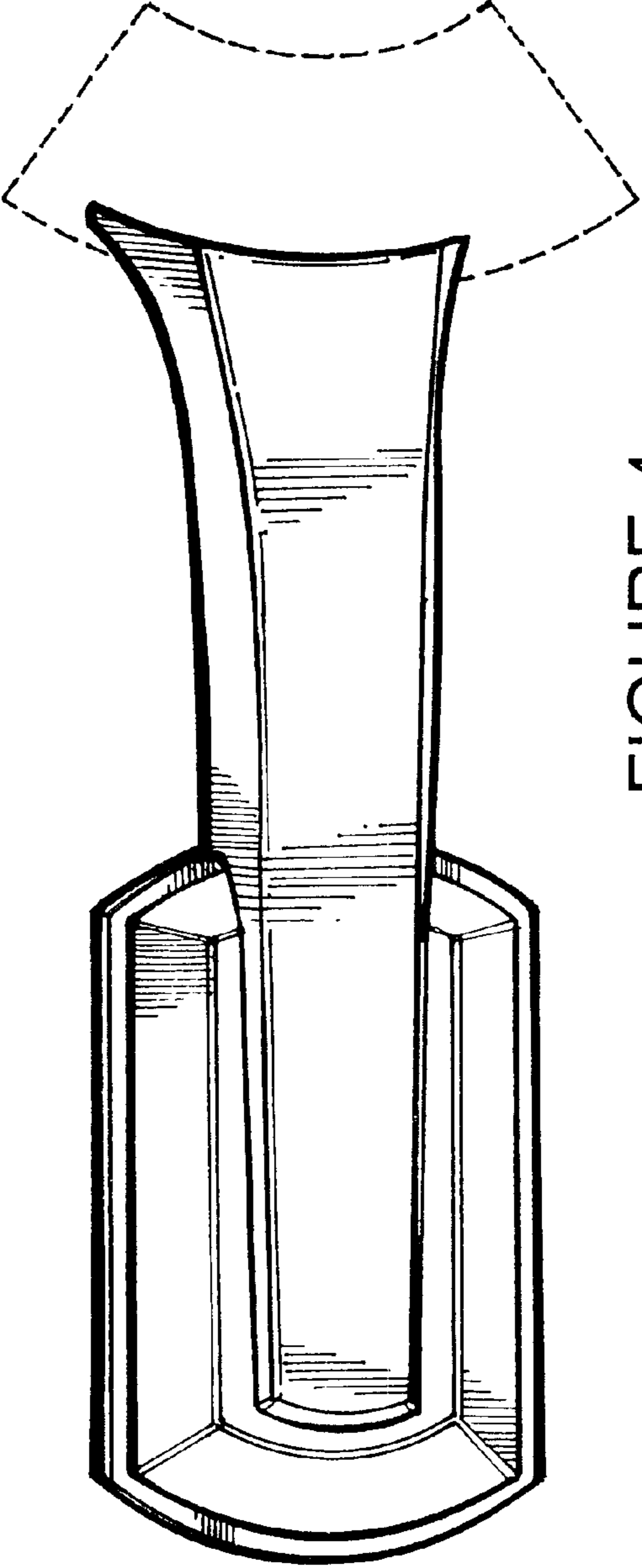


FIGURE 5

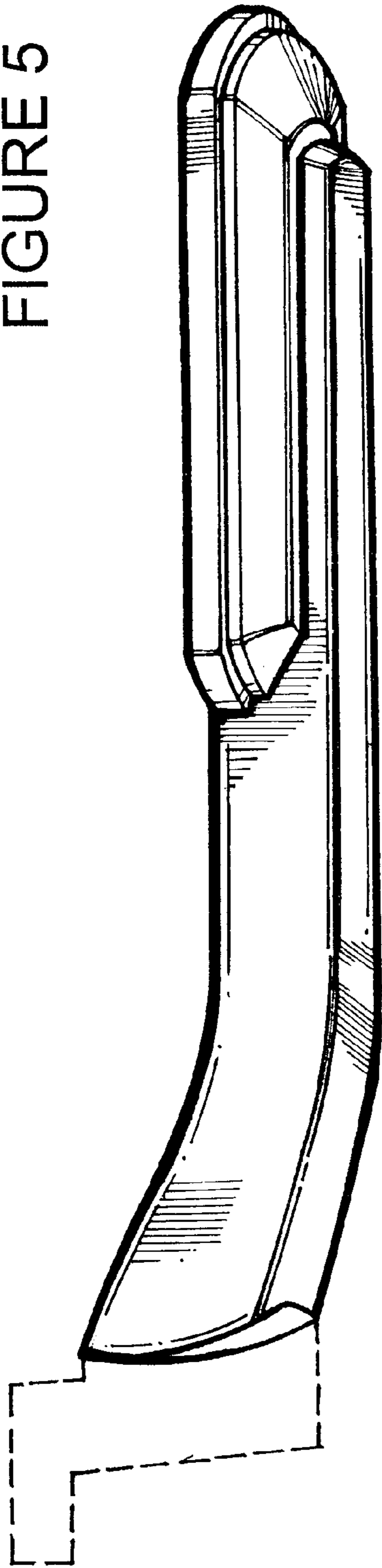


FIGURE 6

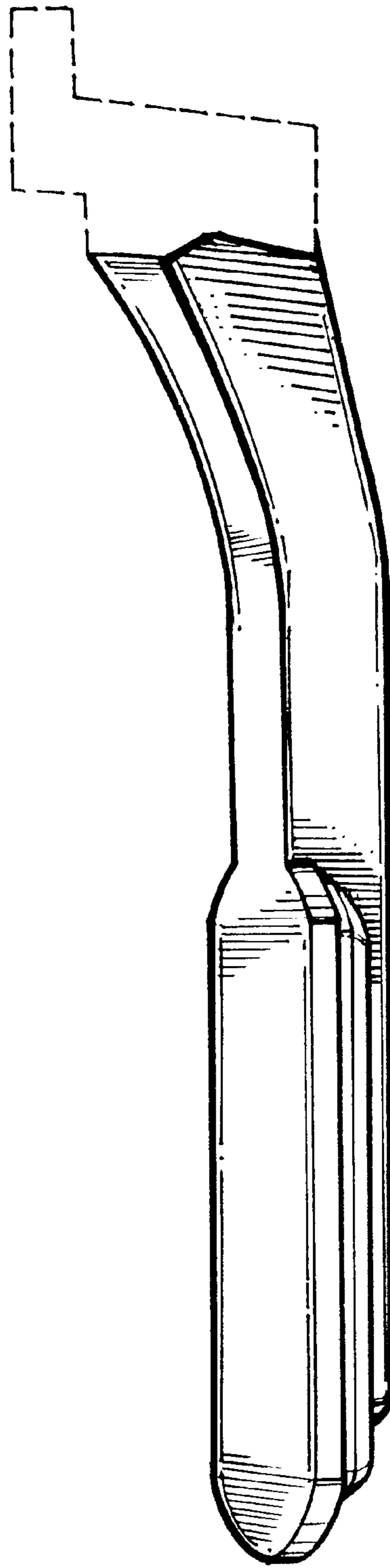


FIGURE 7

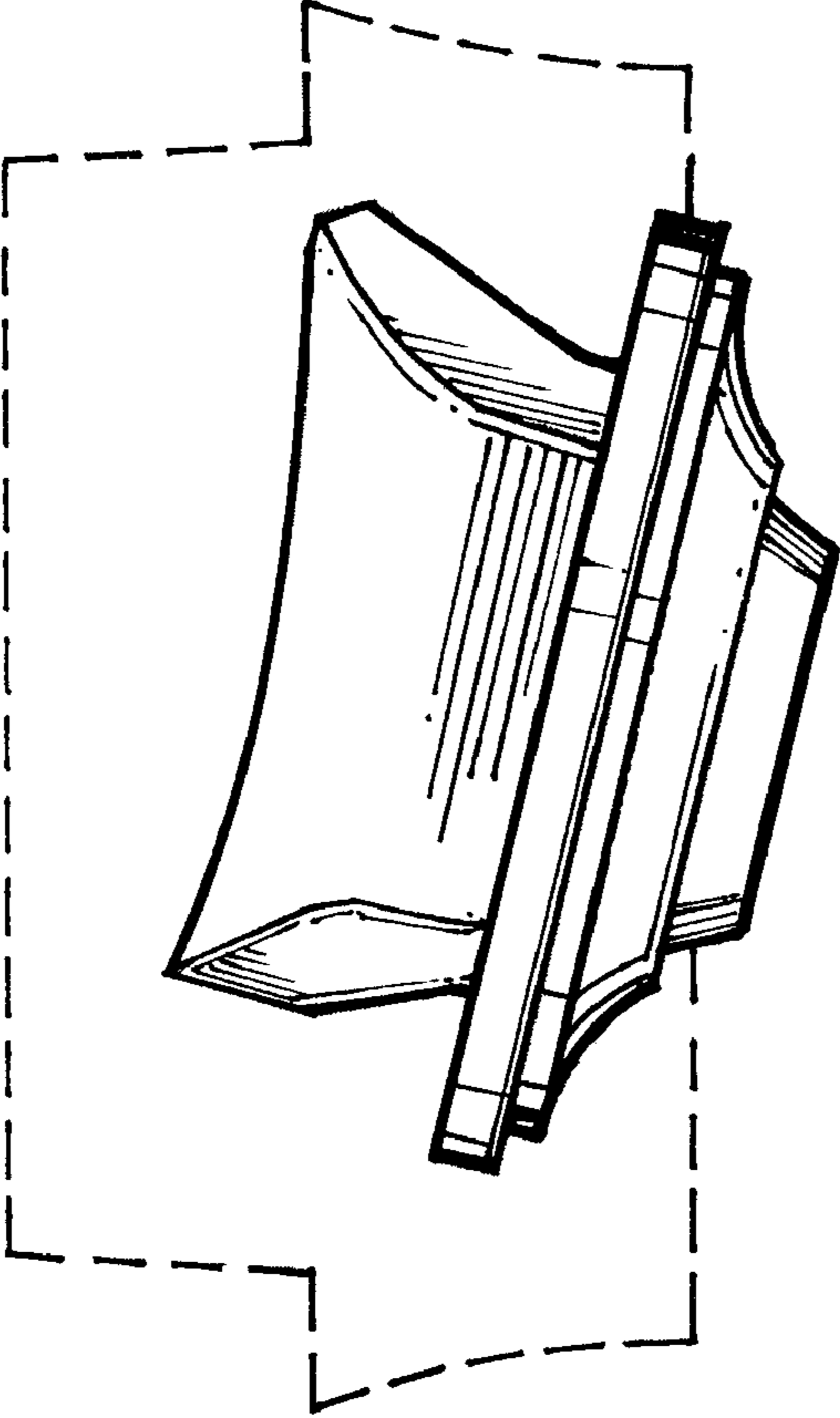


FIGURE 8

