



US00D532102S

(12) **United States Design Patent**
Stauffer

(10) **Patent No.:** **US D532,102 S**

(45) **Date of Patent:** **** Nov. 14, 2006**

(54) **CEILING FAN BLADE IRON**

(75) Inventor: **Michael J. Stauffer**, Memphis, TN
(US)

(73) Assignee: **Hunter Fan Company**, Memphis, TN
(US)

(**) Term: **14 Years**

(21) Appl. No.: **29/245,075**

(22) Filed: **Dec. 17, 2005**

(51) **LOC (8) Cl.** **23-04**

(52) **U.S. Cl.** **D23/411**

(58) **Field of Classification Search** D23/377,
D23/379, 385, 411, 413; 416/5
See application file for complete search history.

(56) **References Cited**

U.S. PATENT DOCUMENTS

D454,630 S	*	3/2002	Hidalgo	D23/377
D476,410 S		6/2003	Young		
D483,855 S	*	12/2003	Stauffer	D23/411
D483,856 S		12/2003	Stauffer		
D498,837 S	*	11/2004	Thomas, Jr.	D23/411

OTHER PUBLICATIONS

Casablanca Fan Company 2002 Product Catalog (Nouvelle p. 25, le Grande p. 47).

Hunter Prestige 2002 (Marseille, Salinas).

* cited by examiner

Primary Examiner—Lisa Lichtenstein

(74) *Attorney, Agent, or Firm*—Baker Donelson

(57)

CLAIM

The ornamental design for a ceiling fan blade iron, as shown and described.

DESCRIPTION

FIG. 1 is a perspective view of a ceiling fan blade iron showing my new design.

FIG. 2 is a right side view thereof.

FIG. 3 is a left side view thereof.

FIG. 4 is a rear view thereof.

FIG. 5 is a front view thereof.

FIG. 6 is a top view thereof; and,

FIG. 7 is a bottom view thereof.

The broken line in the views show environmental features which are for illustrative purposes only and form no part of the claimed design.

1 Claim, 4 Drawing Sheets

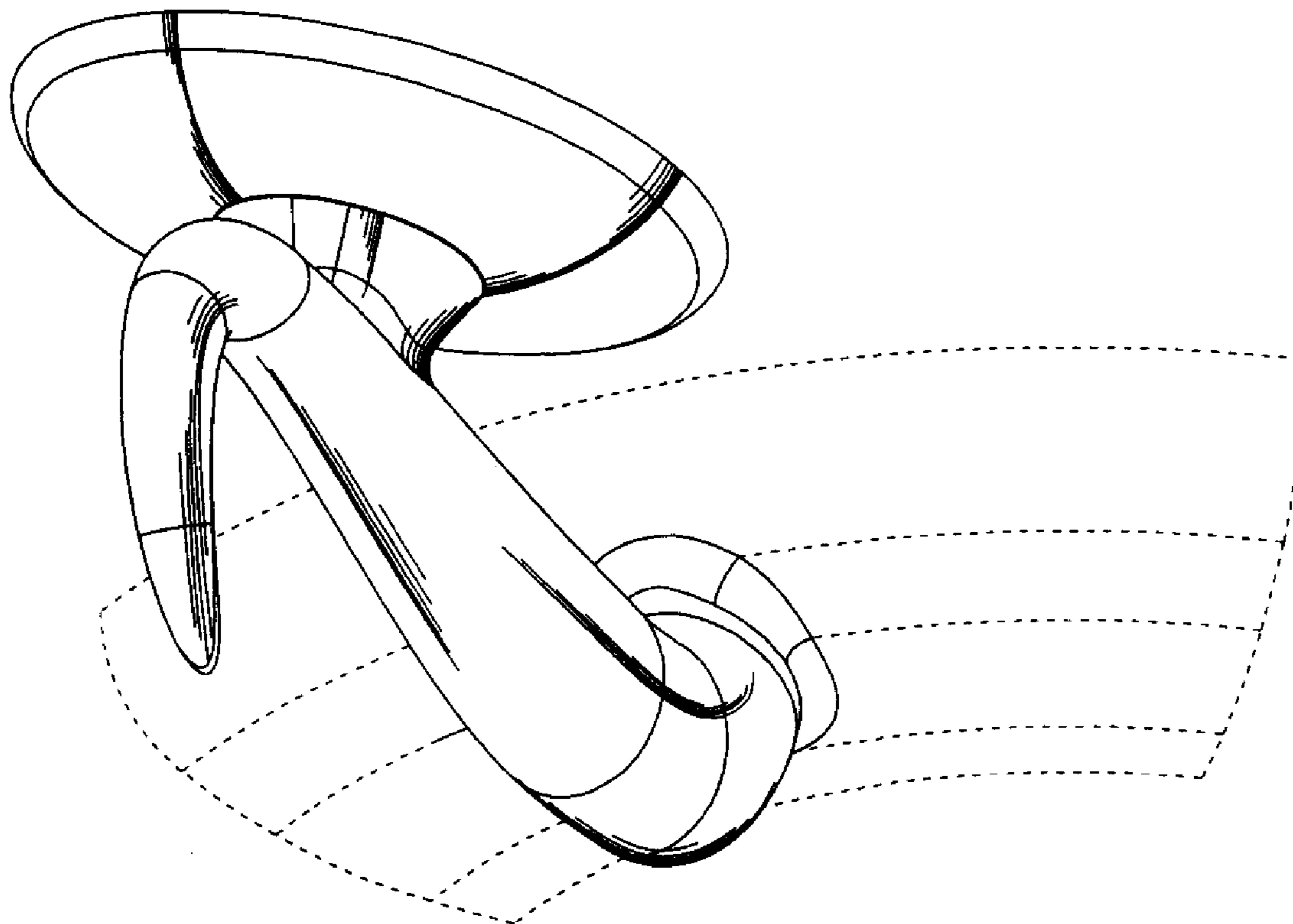


Fig. 1

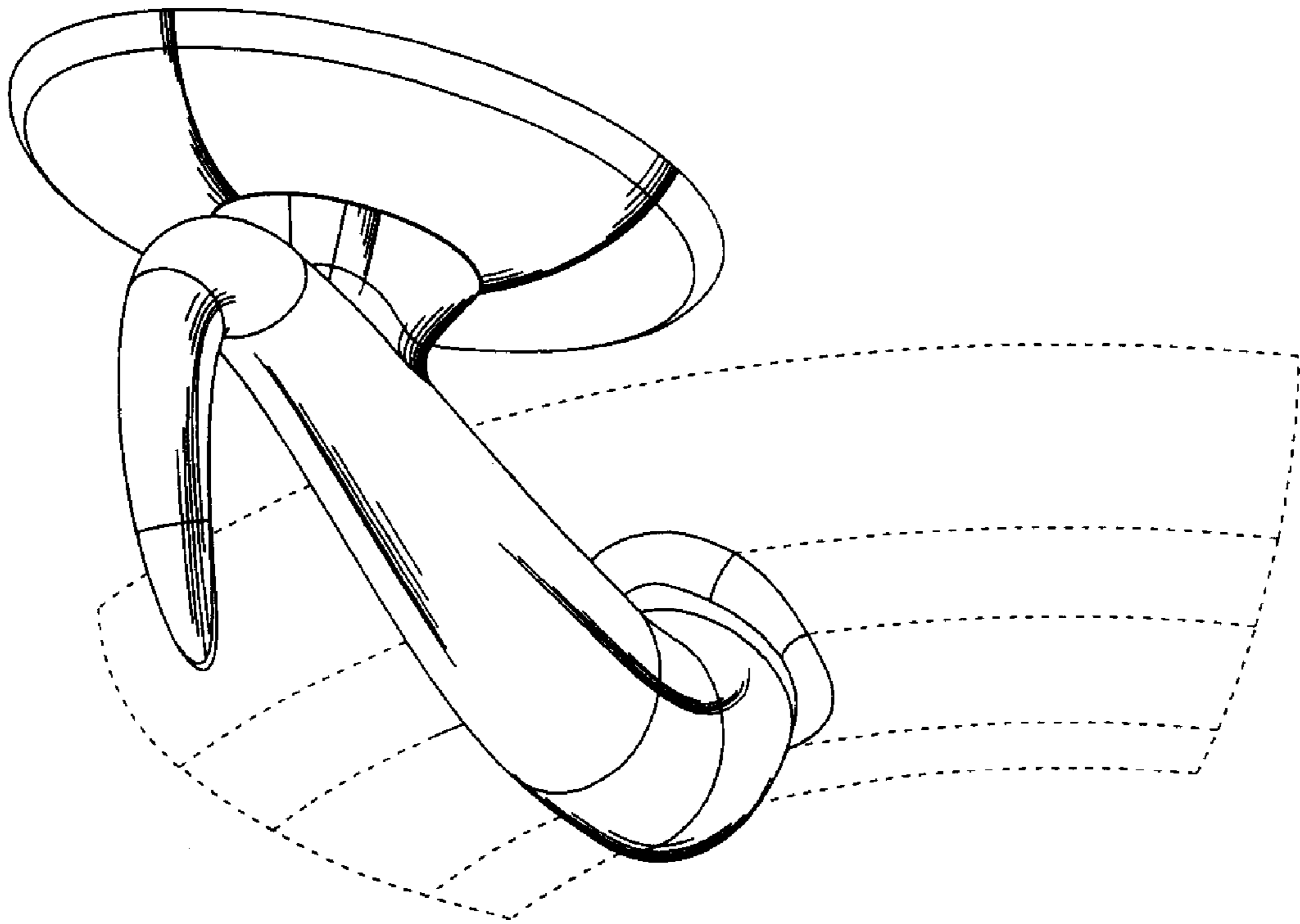


Fig. 2

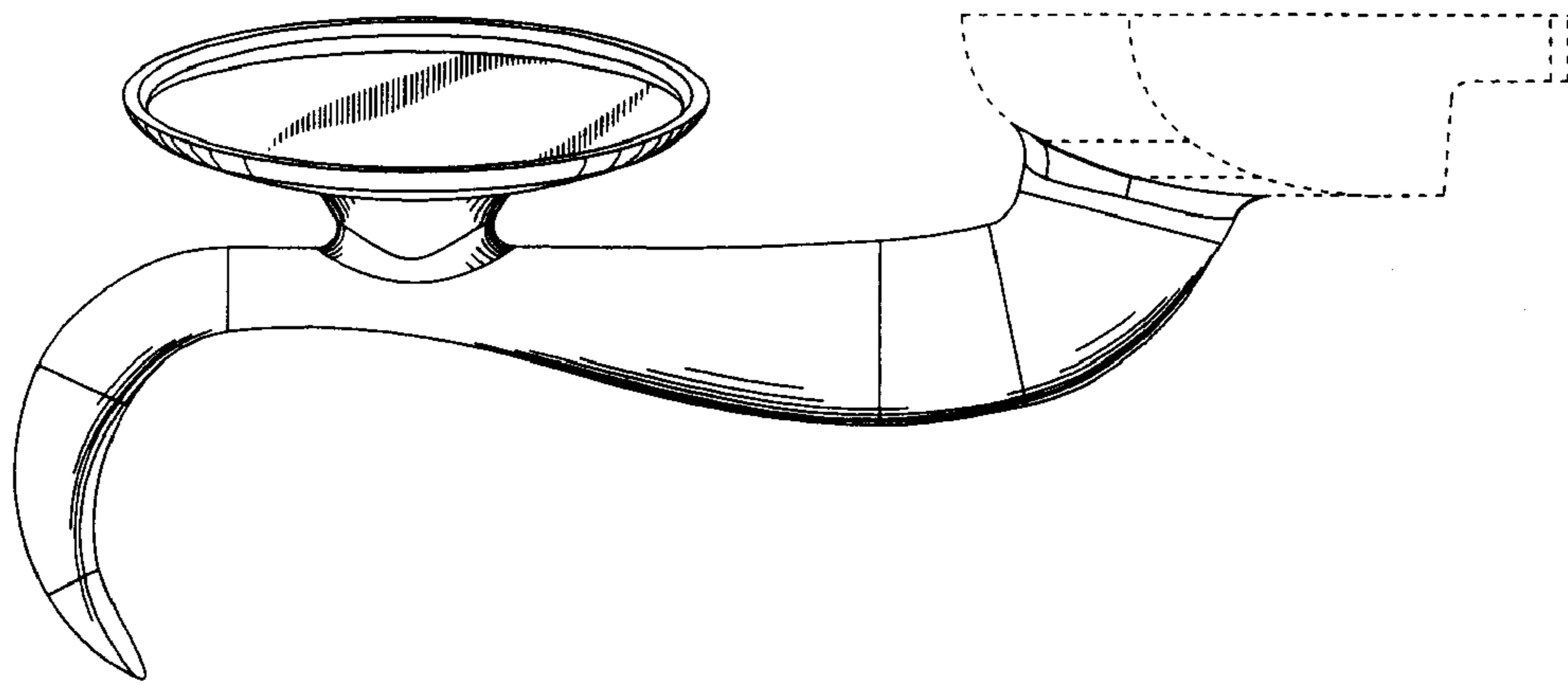


Fig. 3

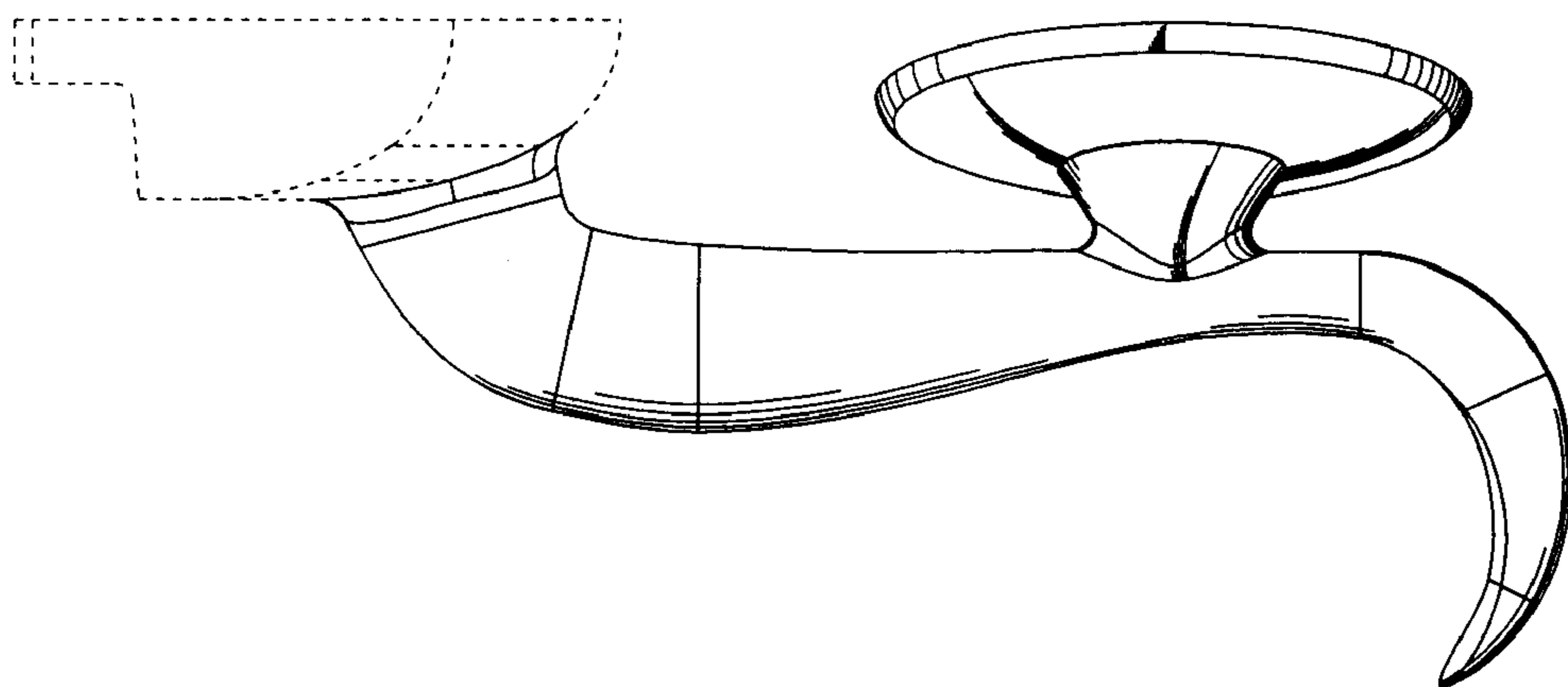


Fig. 4

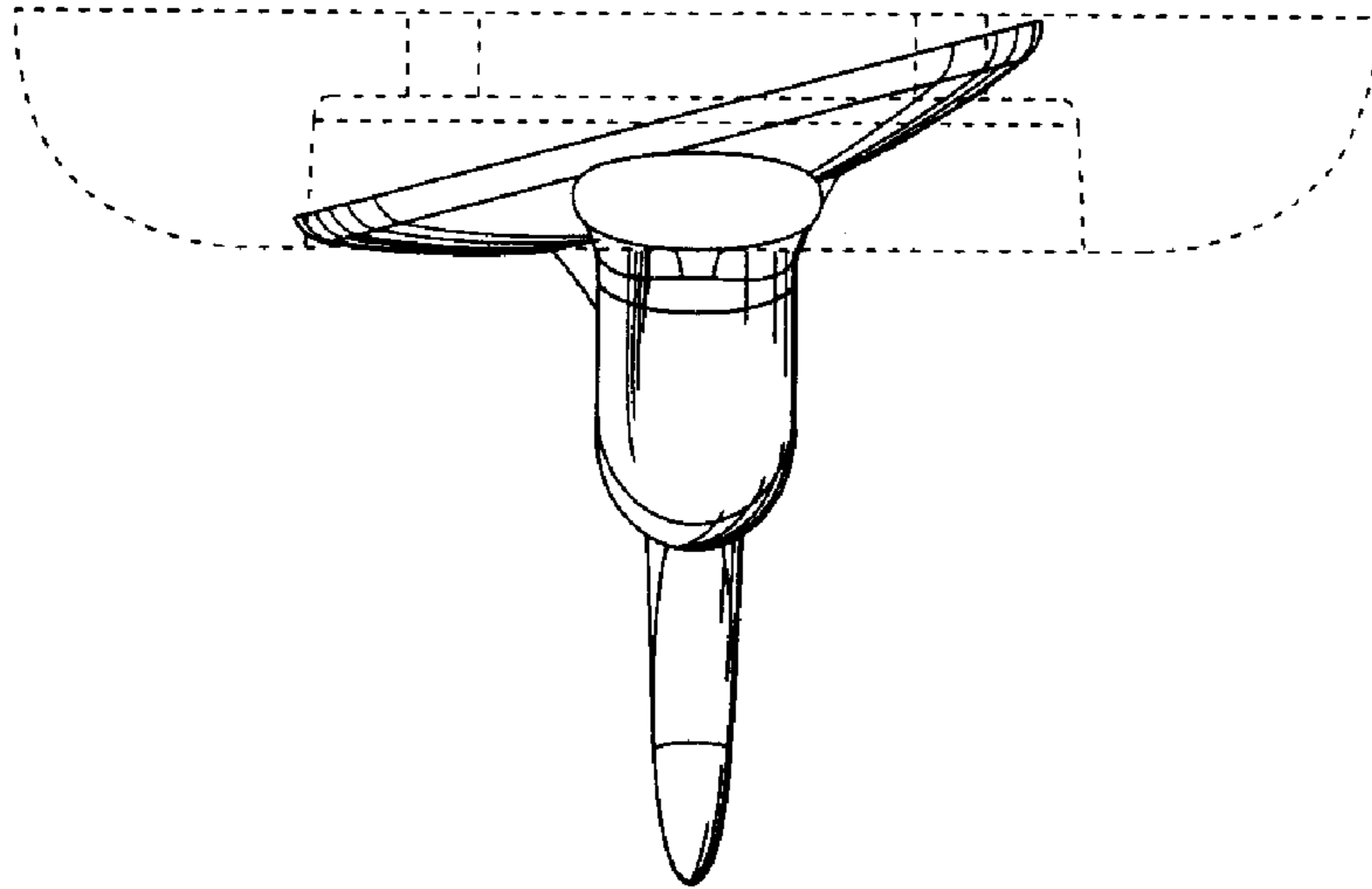


Fig. 5

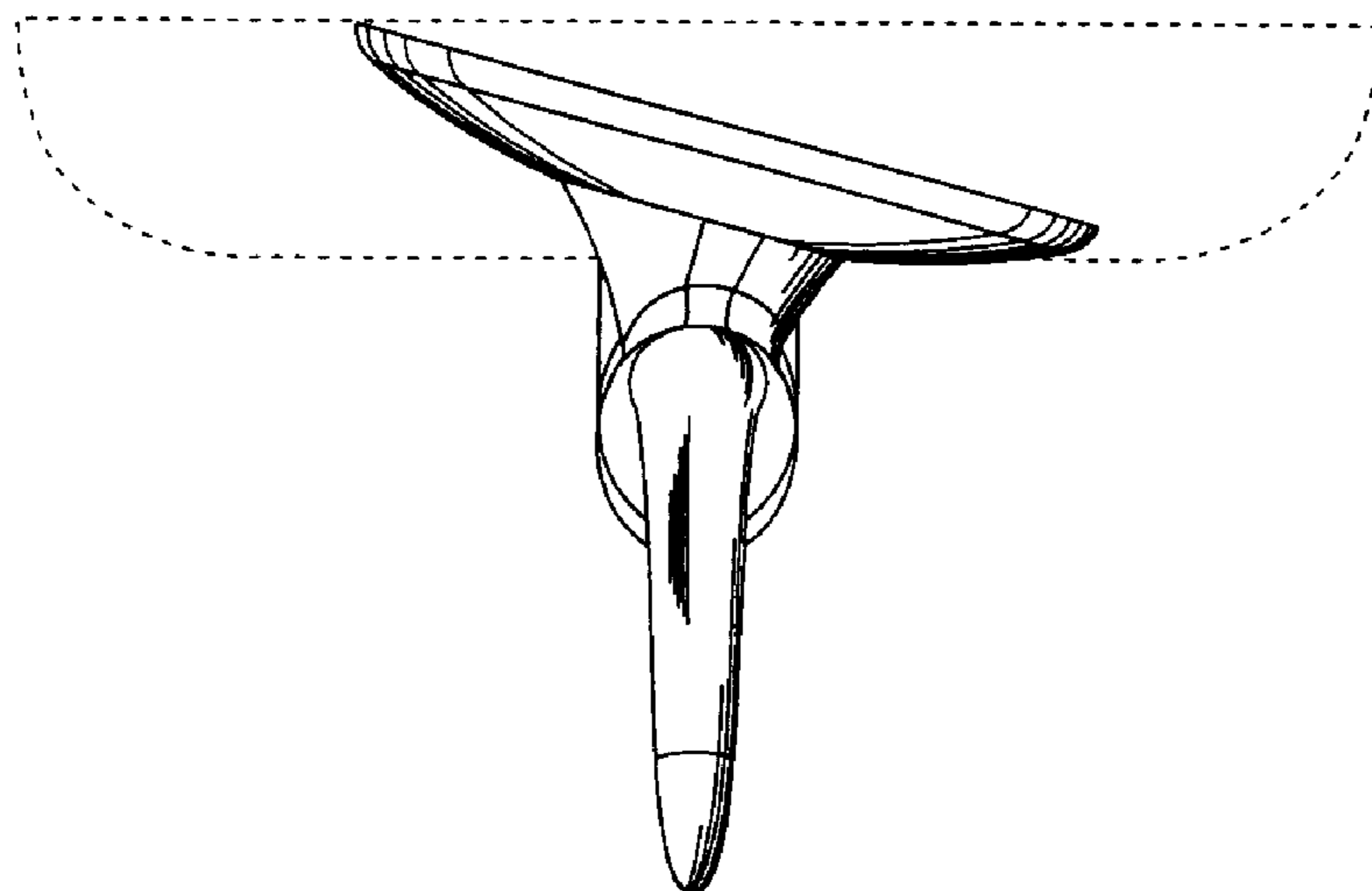


Fig. 6

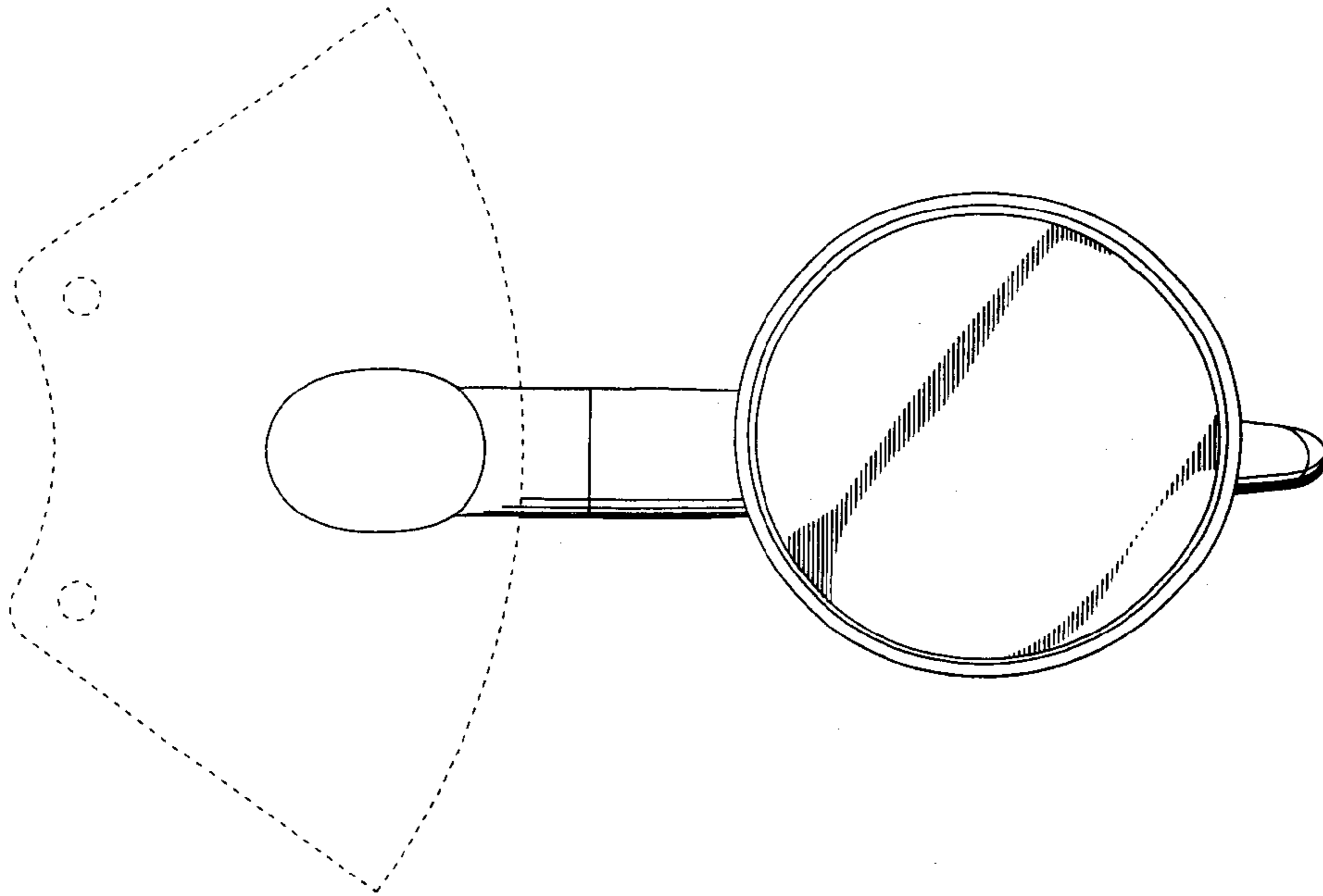


Fig. 7

