



US00D532098S

(12) **United States Design Patent**
Hidalgo

(10) **Patent No.:** **US D532,098 S**

(45) **Date of Patent:** **** Nov. 14, 2006**

(54) **CEILING MOUNT**

(75) Inventor: **Rolando Hidalgo**, Orange, CA (US)

(73) Assignee: **Minka Lighting, Inc.**, Corona, CA (US)

(**) Term: **14 Years**

(21) Appl. No.: **29/241,167**

(22) Filed: **Oct. 25, 2005**

(51) **LOC (8) Cl.** **23-04**

(52) **U.S. Cl.** **D23/411**

(58) **Field of Classification Search** D23/377,
D23/379, 385, 411, 413; 416/5; D26/59,
D26/71, 81-88, 51; 362/96

See application file for complete search history.

(56) **References Cited**
PUBLICATIONS

Emerson Internet Catalog; Contours; Model #EMKF140AP; printed from www.fanworksoutlet.com on Apr. 27, 2005.
Hampton Bay Ceiling Fans; Hampton Bay Ceiling Fans 2004, vol. 2 Catalog; p. 17; Homer TLC, Inc., U.S.A.
Minka Lavery 2005 Catalog; Jan. 2005; pp. 48-54; Minka Lighting, Inc.; U.S.A.

Primary Examiner—Lisa Lichtenstein

(74) *Attorney, Agent, or Firm*—Baker & McKenzie LLP

(57) **CLAIM**

The ornamental design for a ceiling mount, as shown and described.

DESCRIPTION

FIG. 1 is a perspective view from below of a ceiling mount in accordance with my design;

FIG. 2 is an enlarged perspective view from below of the ceiling mount in accordance with my design;

FIG. 3 is an enlarged bottom plan view of the ceiling mount in accordance with my design;

FIG. 4 is an enlarged side elevation view of the ceiling mount in accordance with my design, all sides being mirror images of that shown; and,

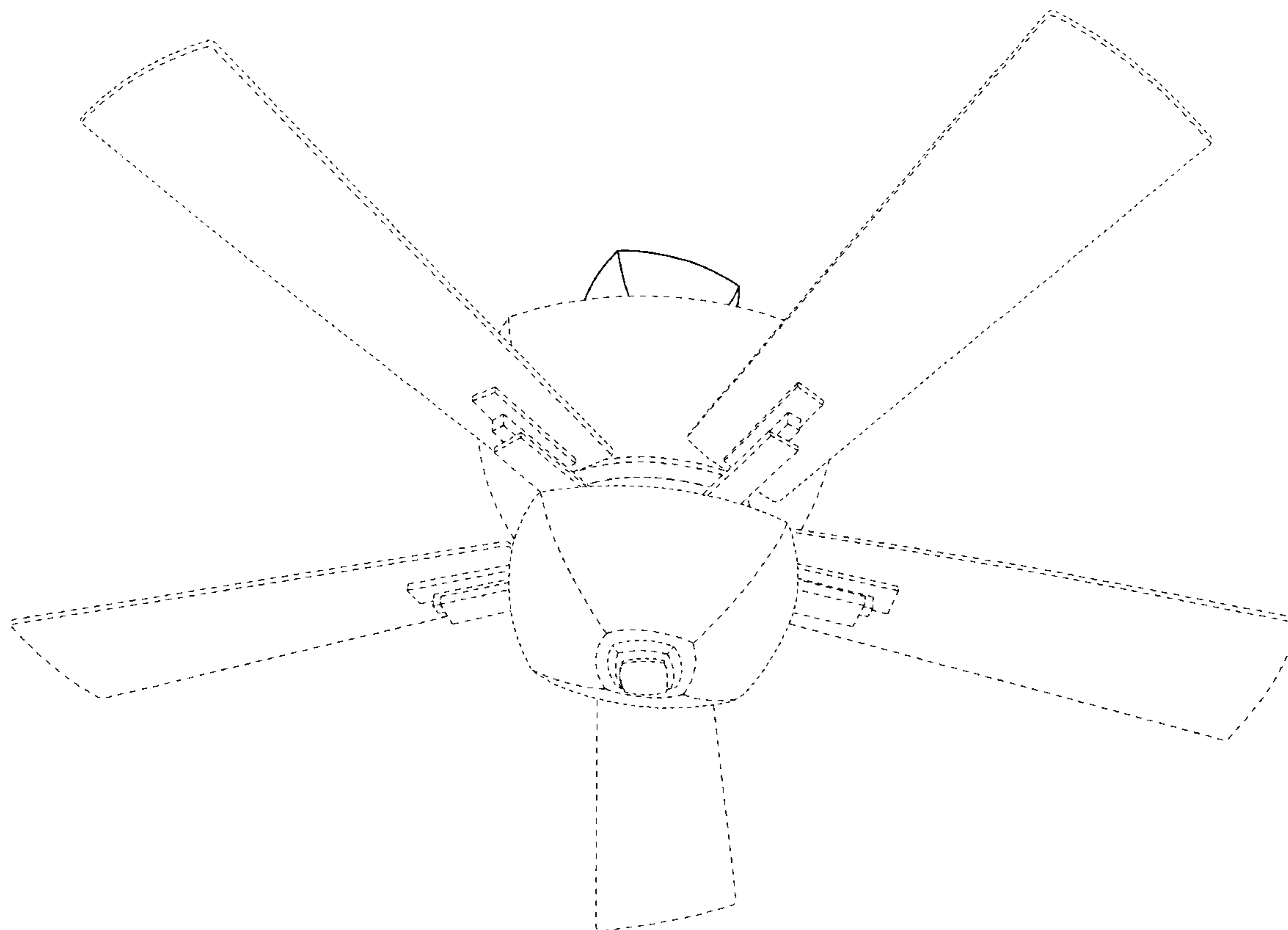
FIG. 5 is an enlarged diagonal perspective view of the ceiling mount in accordance with my design, the diagonal perspective being the intersection of two sides.

The horizontal lines within FIG. 3 are understood to be shading and form no part of the claimed invention.

The vertical lines within FIGS. 4 and 5 are understood to be shading and form no part of the claimed invention.

The broken lines showing environmental structure are for illustrative purposes and form no part of the claimed invention.

1 Claim, 2 Drawing Sheets



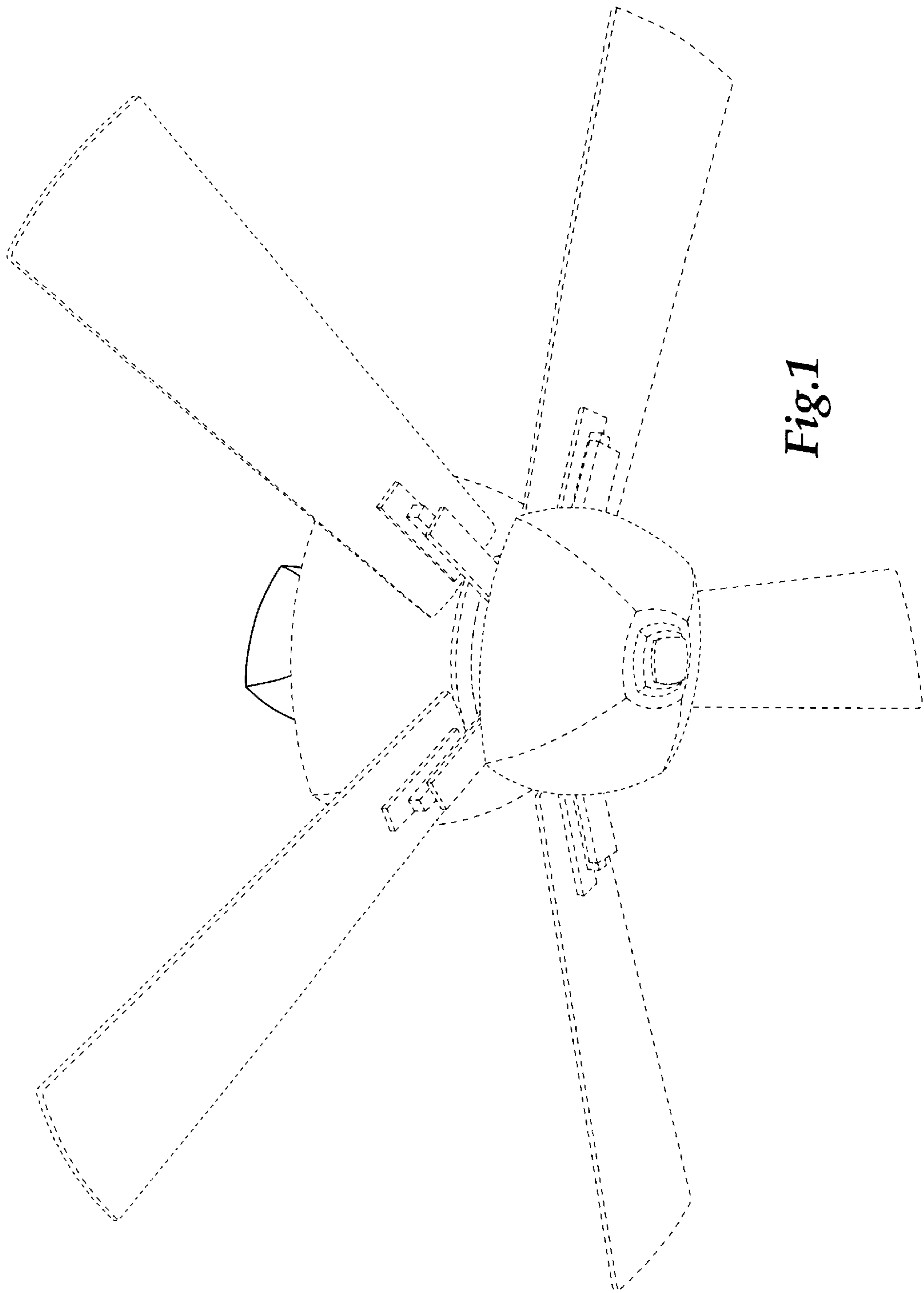


Fig. 1

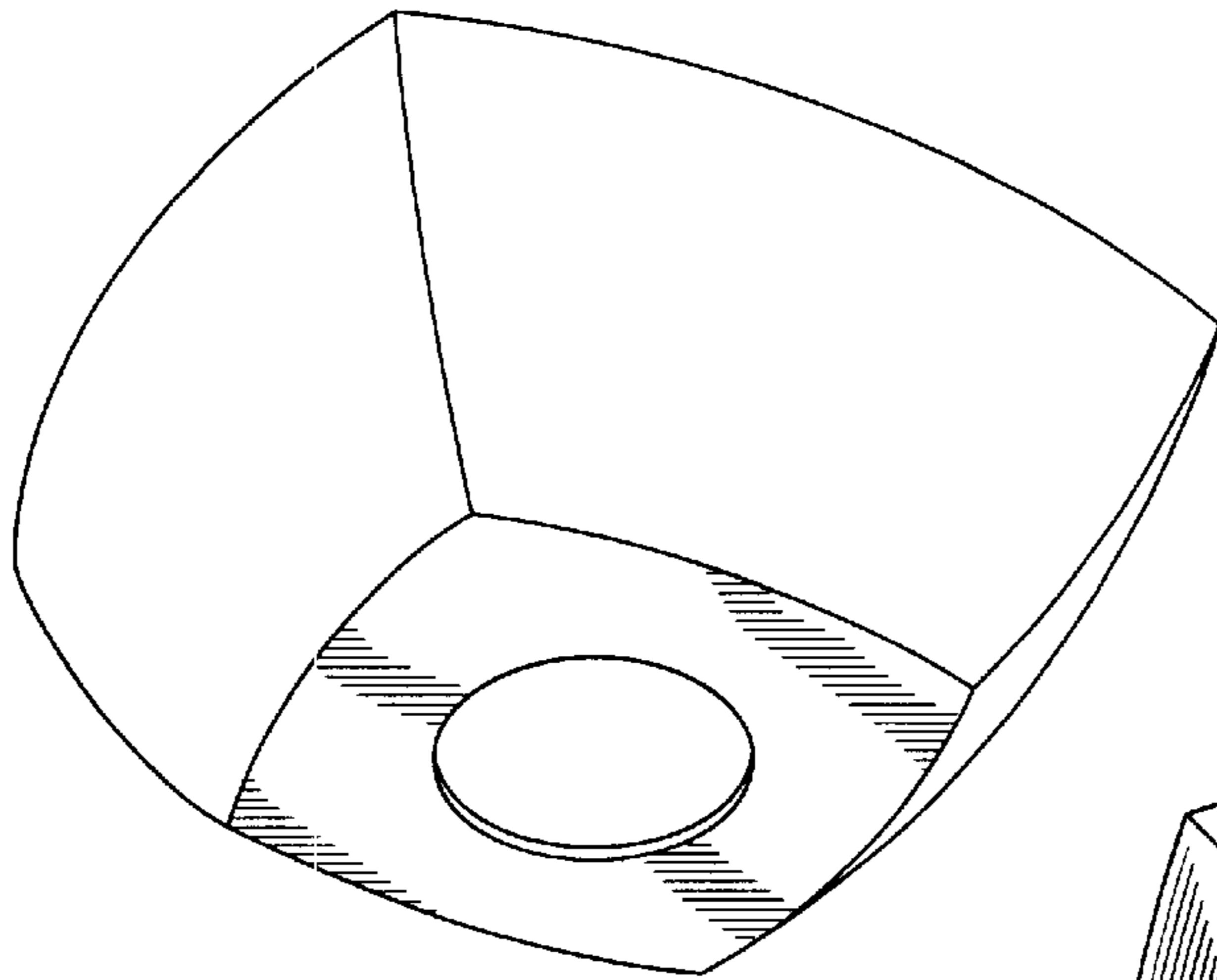


Fig.2

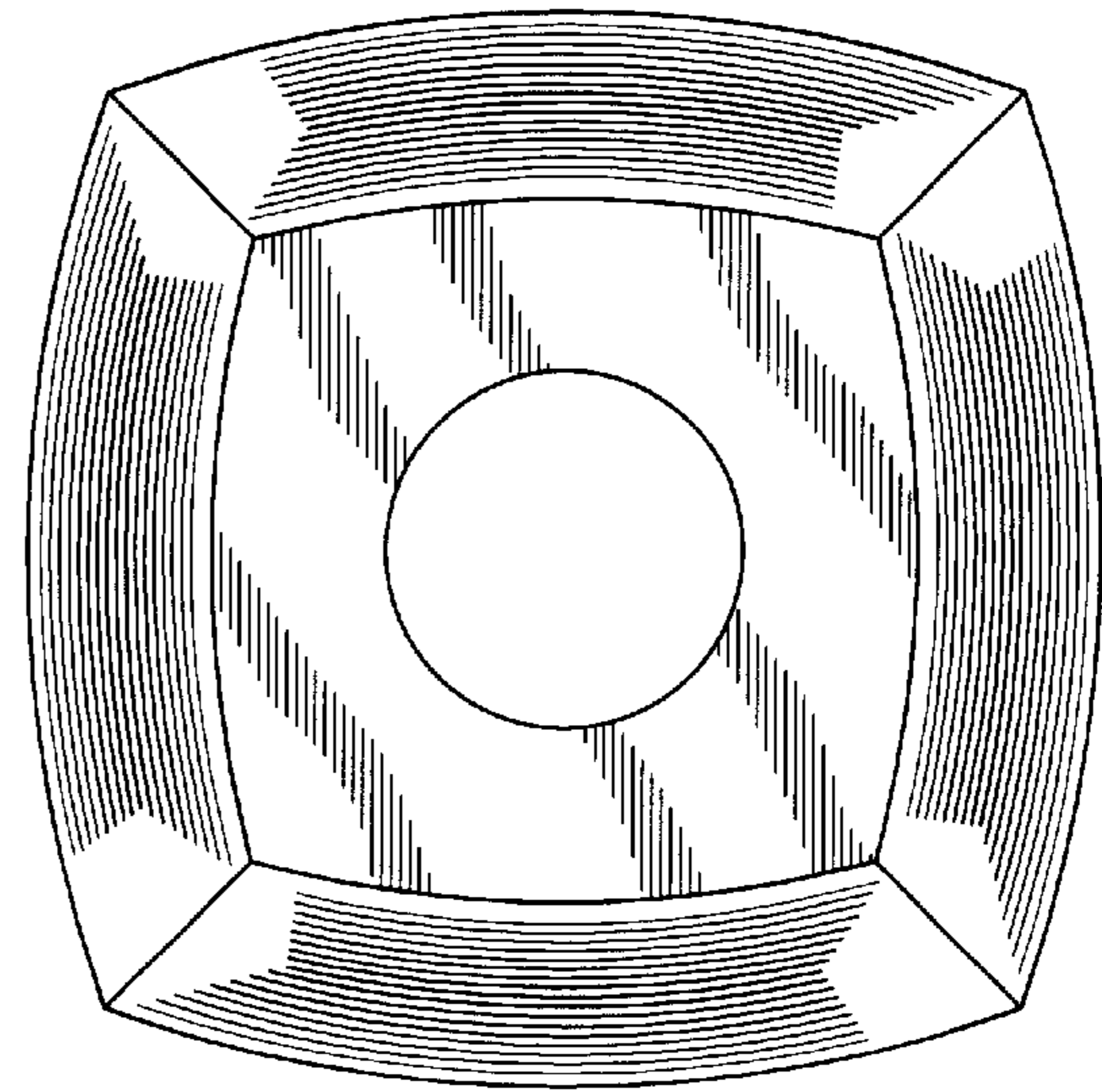


Fig.3

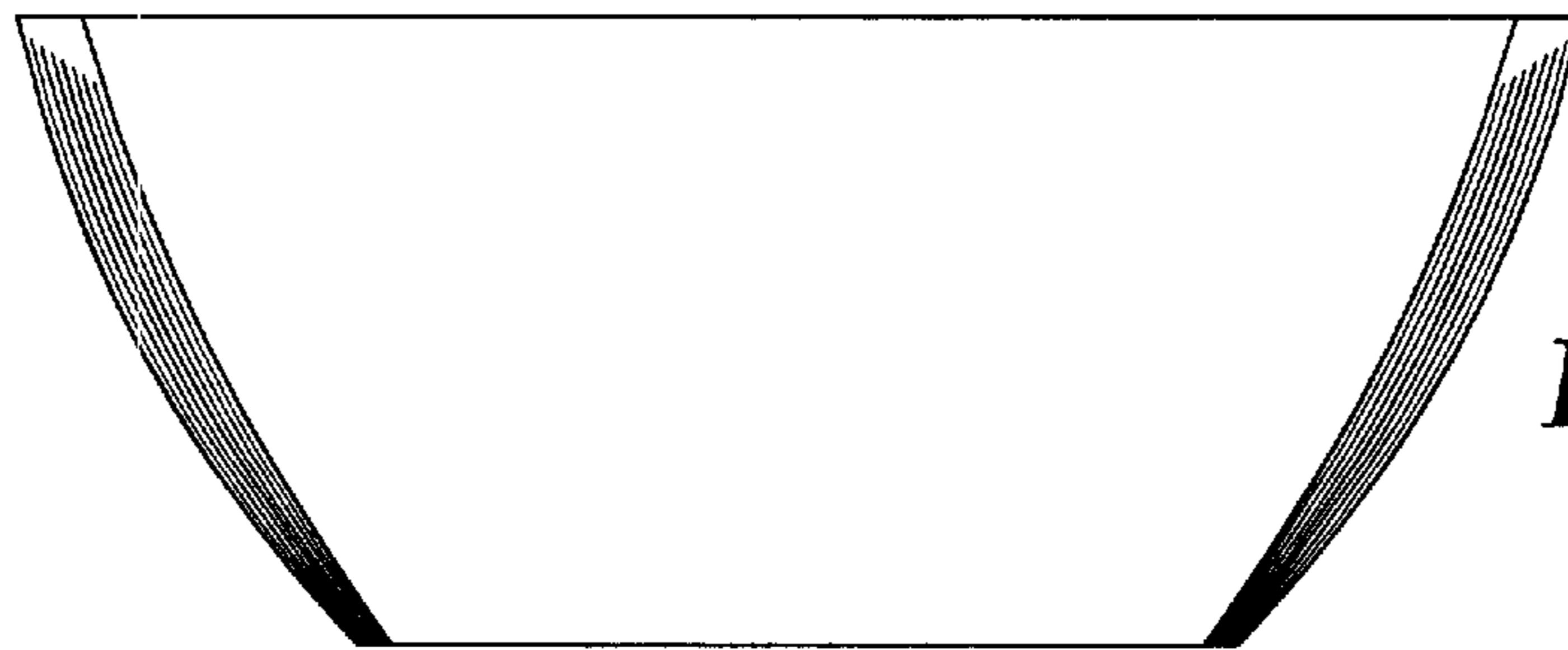


Fig.4

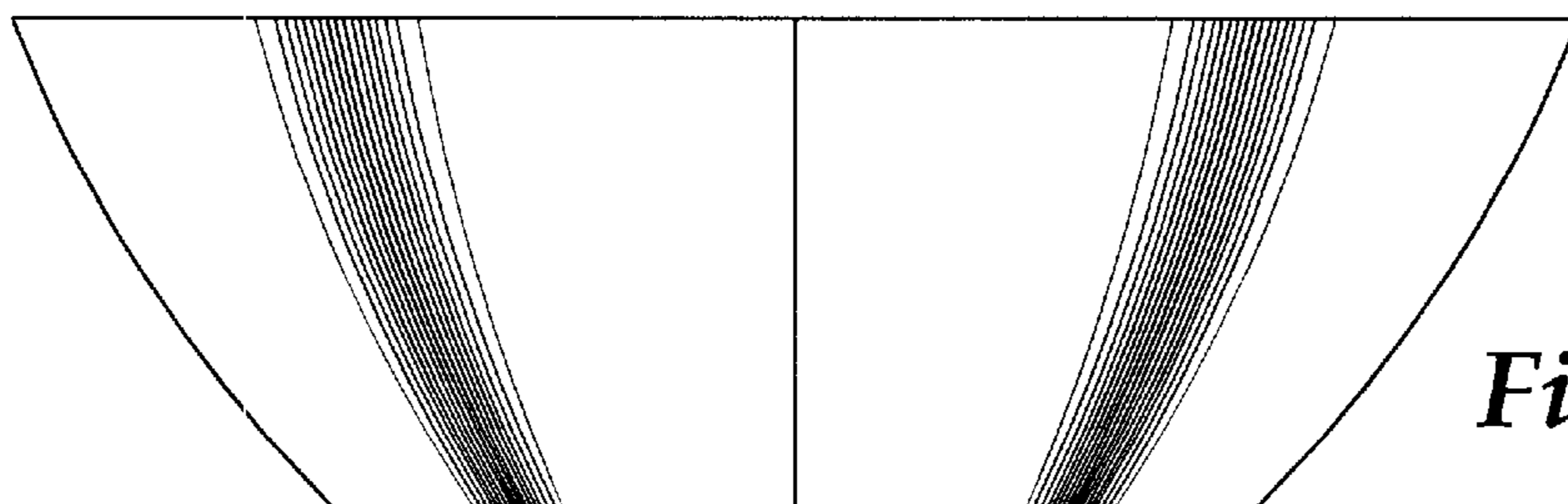


Fig.5