



US00D532096S

(12) **United States Design Patent**
Gomez

(10) **Patent No.:** **US D532,096 S**

(45) **Date of Patent:** **** Nov. 14, 2006**

(54) **HELICOPTER CEILING FAN**

(76) **Inventor:** **Angel C. Gomez**, 1925 S. Sultana Ave.,
Ontario, CA (US) 91761

(**) **Term:** **14 Years**

(21) **Appl. No.:** **29/231,777**

(22) **Filed:** **Sep. 12, 2005**

(51) **LOC (8) Cl.** **23-04**

(52) **U.S. Cl.** **D23/377**

(58) **Field of Classification Search** D23/411,
D23/413, 377, 379, 385; 416/5

See application file for complete search history.

(56) **References Cited**

U.S. PATENT DOCUMENTS

D287,518 S * 12/1986 Ohno D21/583
D294,604 S * 3/1988 Shibukawa D21/583

D295,430 S 4/1988 Smith

D341,194 S 11/1993 Reid et al.

D359,553 S * 6/1995 Hsi D23/377

D374,926 S 10/1996 Sheh

* cited by examiner

Primary Examiner—Lisa Lichtenstein

(74) *Attorney, Agent, or Firm*—Buhler & Associates; Kirk
A. Buhler

(57) **CLAIM**

The ornamental design for a helicopter ceiling fan, as shown
and described.

DESCRIPTION

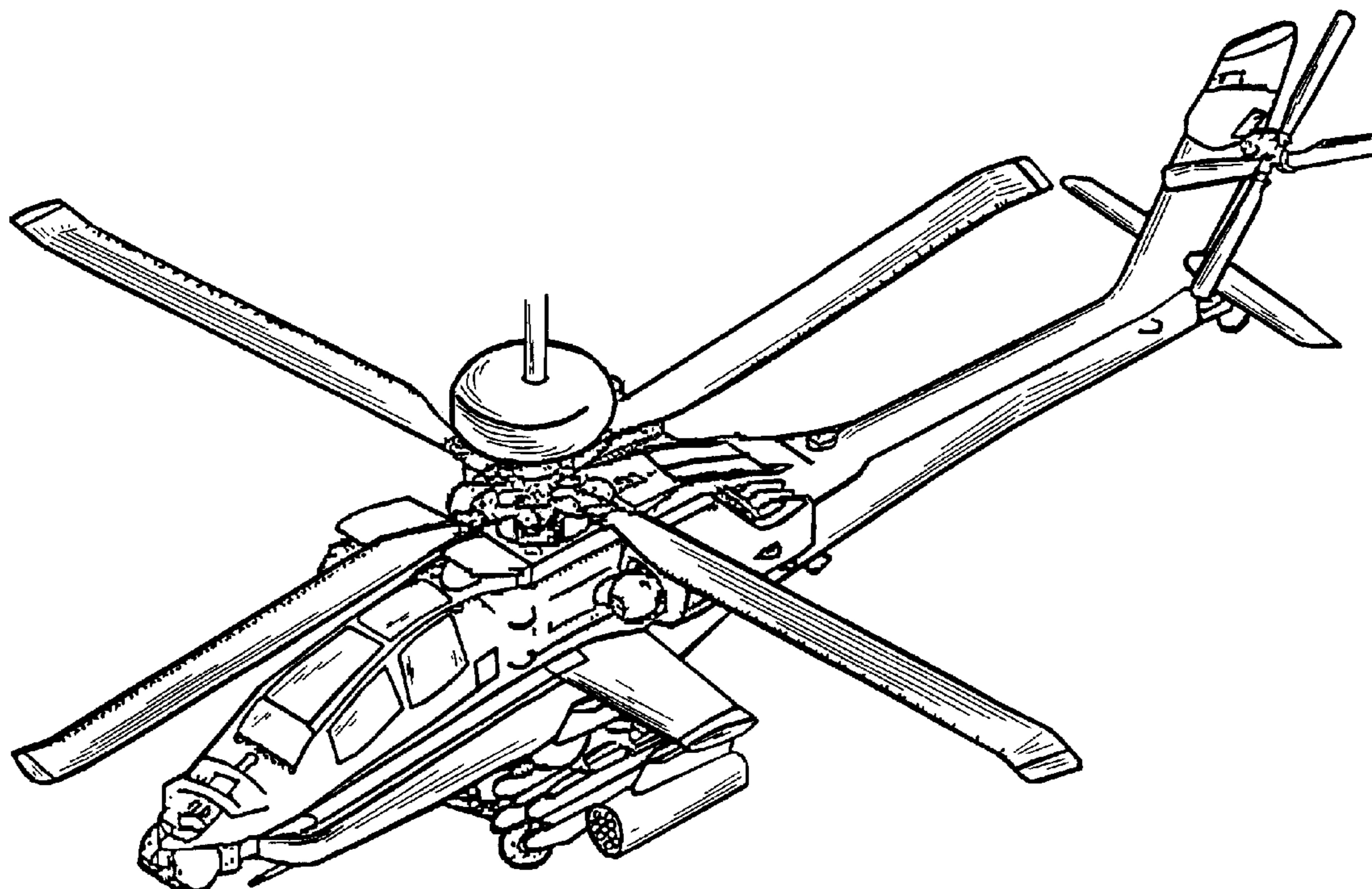
FIG. 1 is an isometric view.

FIG. 2 is a side view.

FIG. 3 is a front view; and,

FIG. 4 is a bottom view.

1 Claim, 2 Drawing Sheets



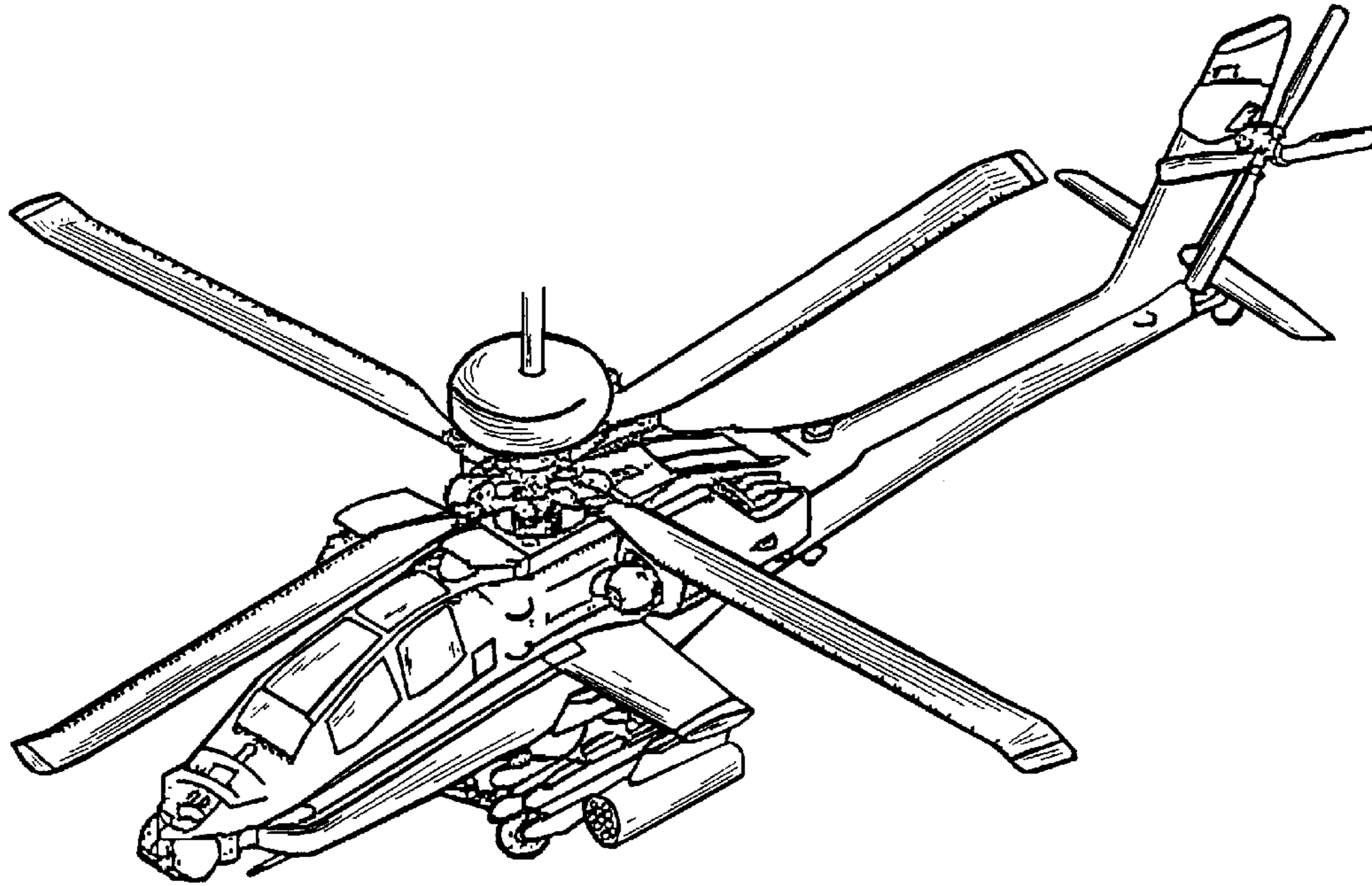


FIGURE 1

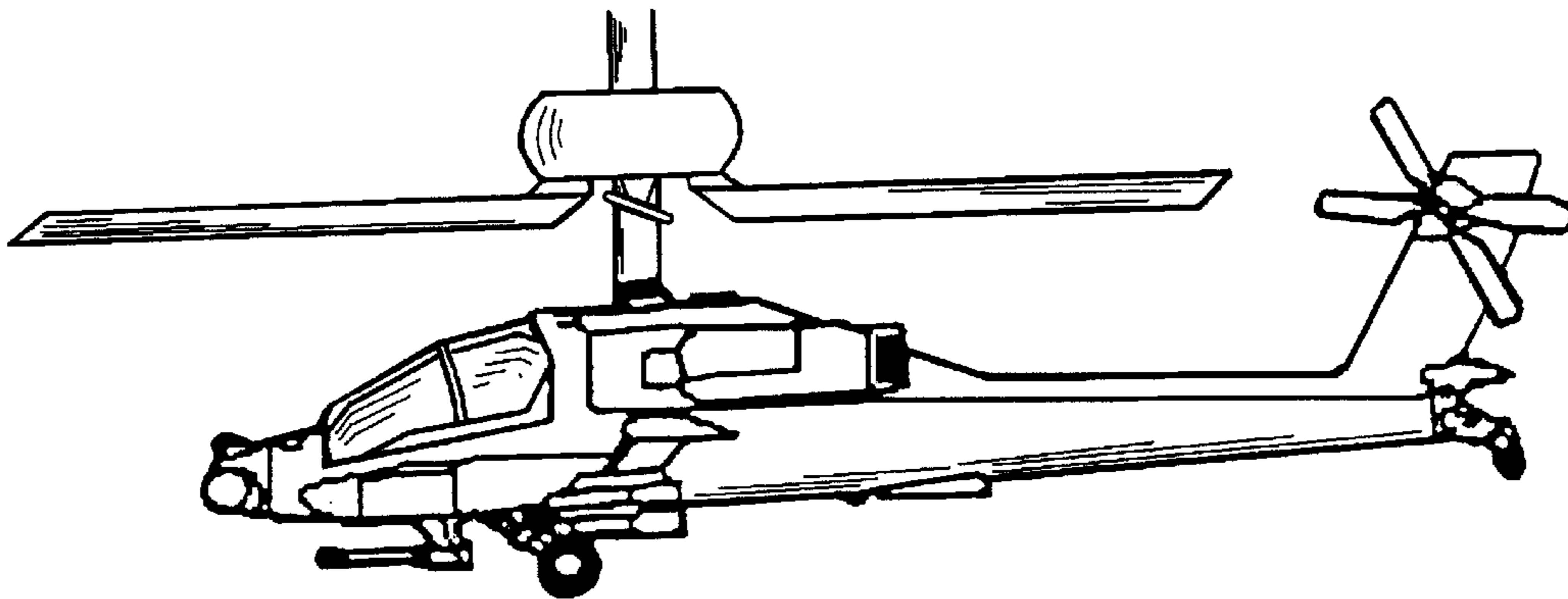


FIGURE 2

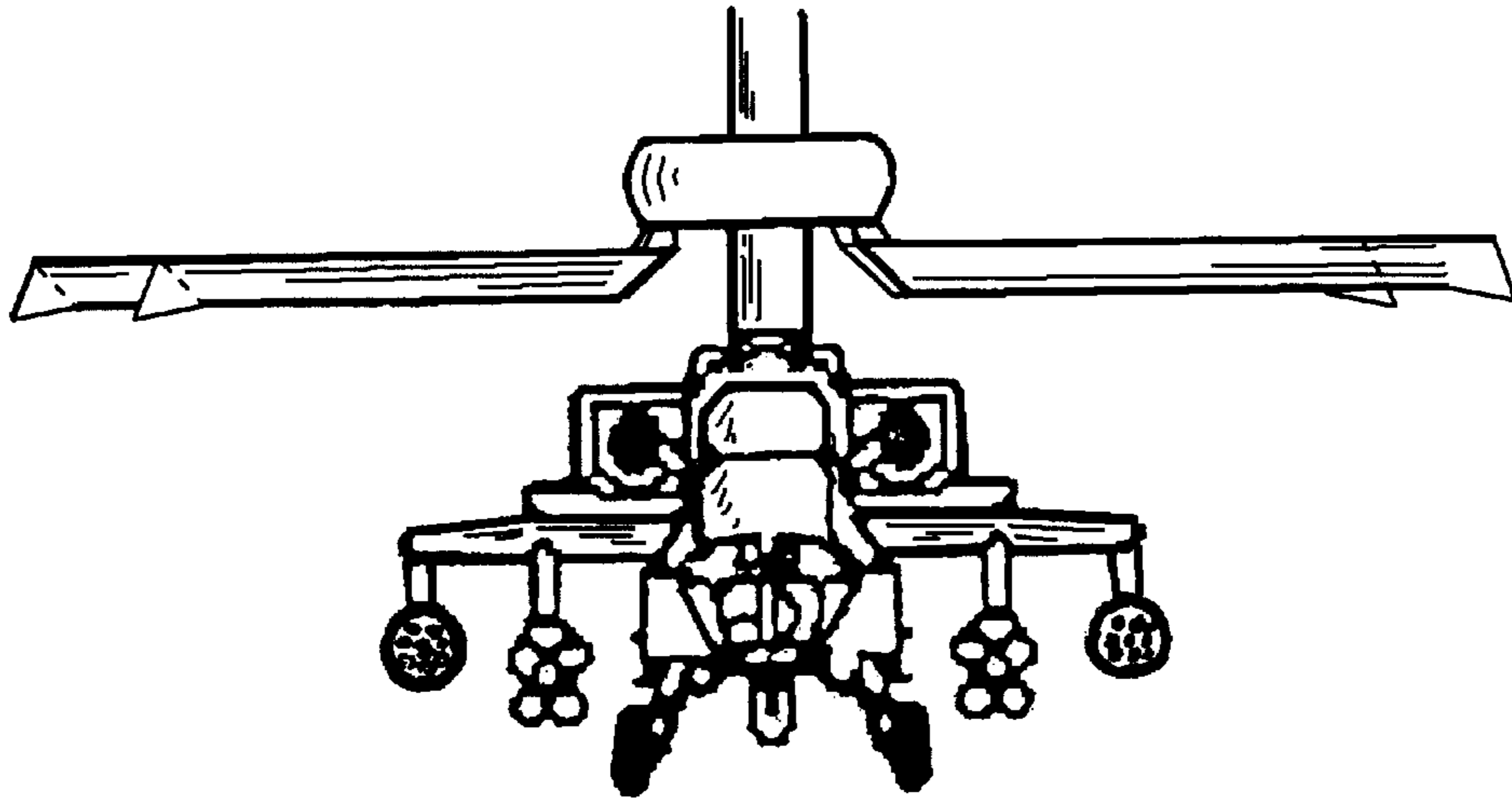


FIGURE 3

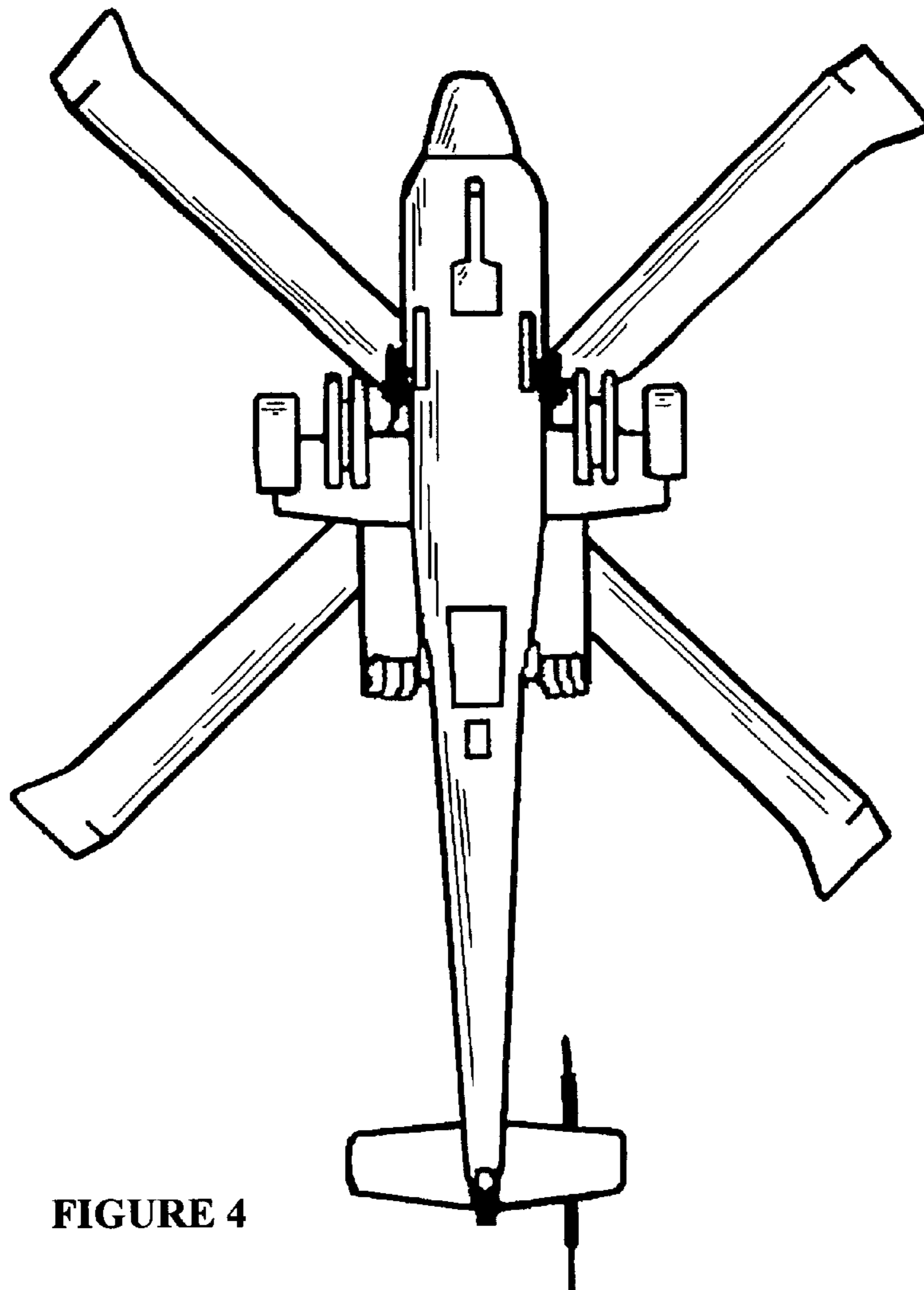


FIGURE 4