



US00D532091S

(12) **United States Design Patent** (10) **Patent No.:** **US D532,091 S**  
**Andrews et al.** (45) **Date of Patent:** **\*\* Nov. 14, 2006**

(54) **COMBINED FAN AND NOVELTY ITEM**  
(75) Inventors: **Mark Andrews**, Cary, NC (US); **Mary Andrews**, Cary, NC (US)  
(73) Assignee: **Upshift Design LLC**, Apex, NC (US)  
(\*\*) Term: **14 Years**

(21) Appl. No.: **29/214,088**  
(22) Filed: **Sep. 28, 2004**

(51) **LOC (8) Cl.** ..... **23-04**  
(52) **U.S. Cl.** ..... **D23/328**  
(58) **Field of Classification Search** ..... D23/328,  
D23/378, 382, 370; D11/157; D20/29; D18/24,  
D18/29; 416/246, 247 R, 63  
See application file for complete search history.

(56) **References Cited**

U.S. PATENT DOCUMENTS

222,118 A \* 12/1879 Newnham ..... 381/417  
D248,936 S \* 8/1978 Lohan ..... D11/157  
D304,458 S \* 11/1989 Mowry, Jr. .... D18/24  
D315,018 S \* 2/1991 Wang ..... D23/382  
D351,901 S \* 10/1994 Boruch et al. .... D23/328  
D510,617 S \* 10/2005 Andrews et al. .... D23/328

D513,798 S \* 1/2006 Andrews et al. .... D23/382

\* cited by examiner

*Primary Examiner*—Lisa Lichtenstein

(74) *Attorney, Agent, or Firm*—Epstein Drangel Bazerman & James, LLP; Robert L. Epstein

(57) **CLAIM**

The ornamental design for a combined fan and novelty item, substantially as shown and described.

**DESCRIPTION**

FIG. 1 is an isometric view showing the front, top, and one side of our invention.

FIG. 2 is a reduced elevation view of the front of our invention.

FIG. 3 is a reduced elevation view of the first side of our invention.

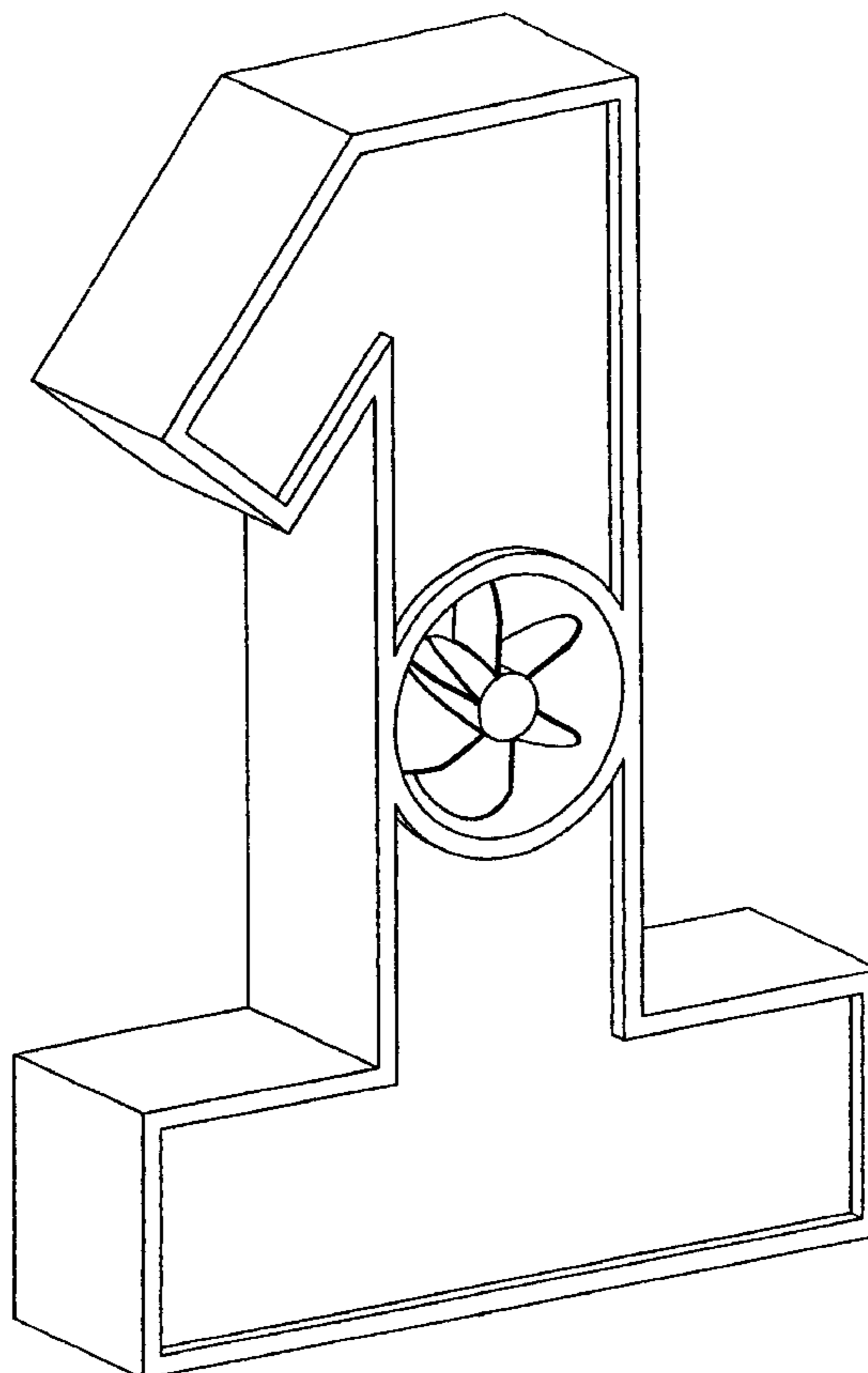
FIG. 4 is a reduced elevation view of the top of our invention.

FIG. 5 is a reduced elevation view of the rear of our invention.

FIG. 6 is a reduced elevation view of the second side of our invention; and,

FIG. 7 is a reduced plan view of the bottom of our invention.

**1 Claim, 3 Drawing Sheets**



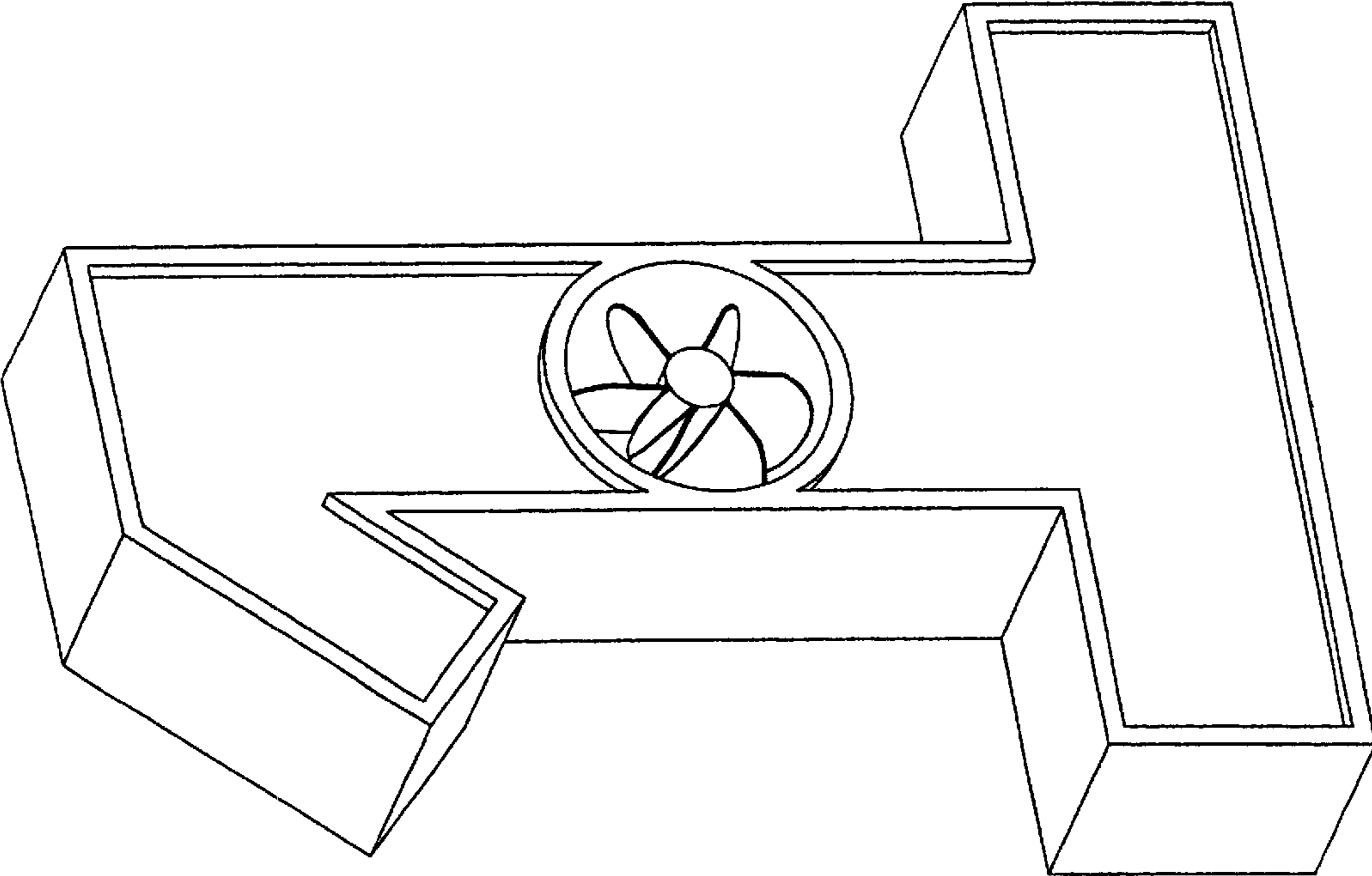


Figure 1

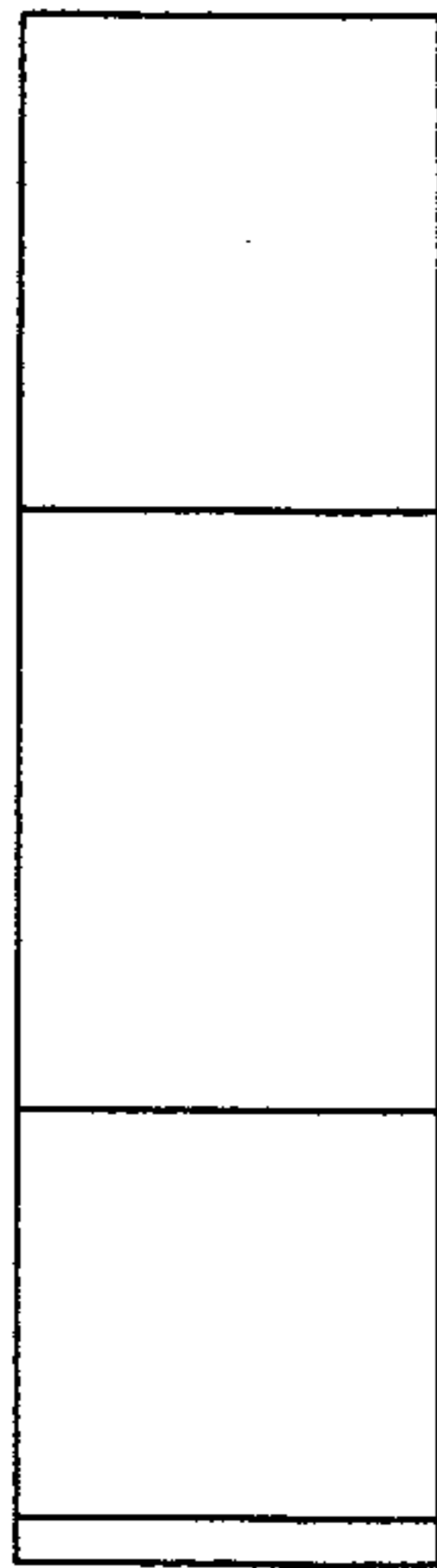


Figure 4

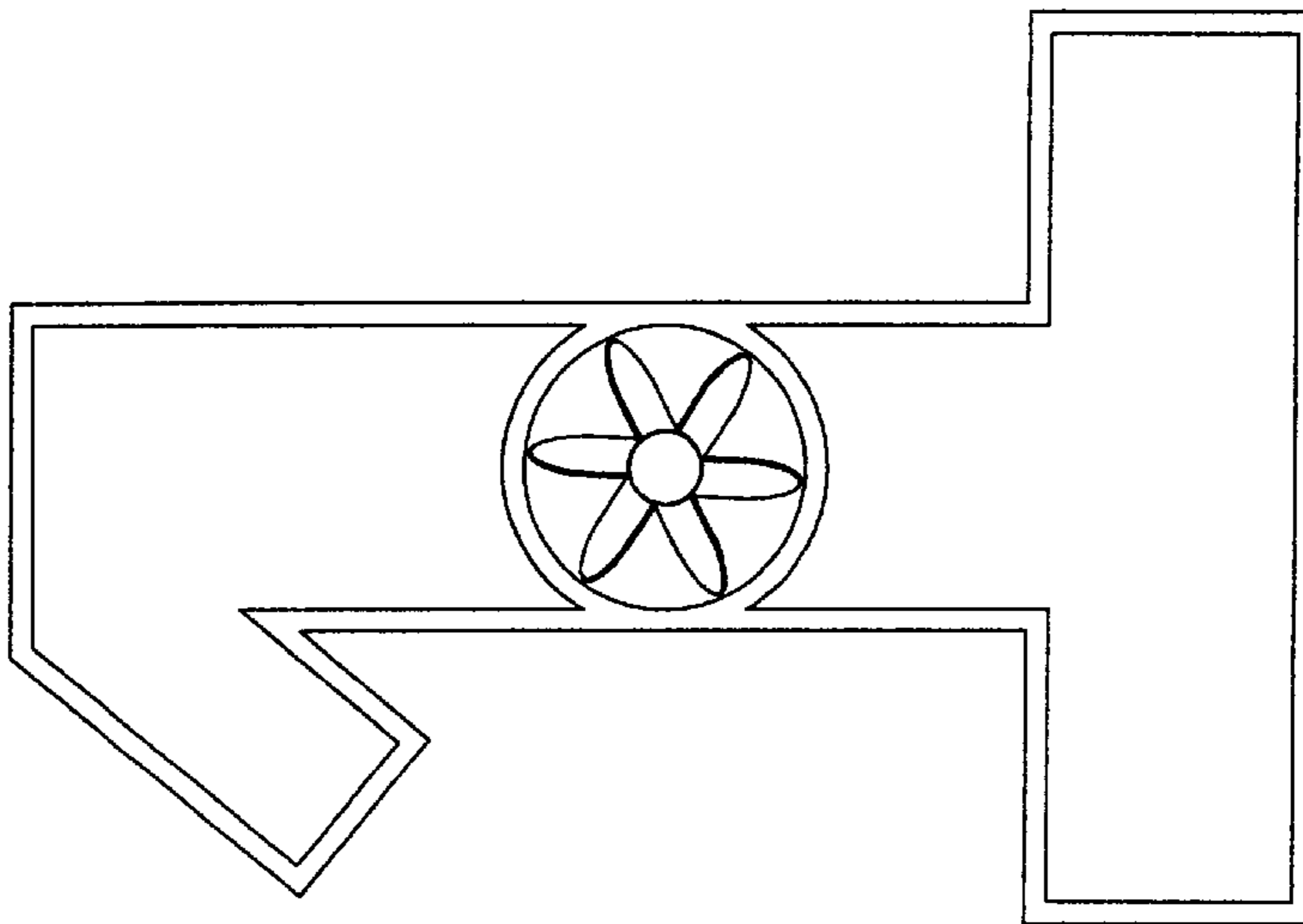


Figure 2



Figure 3



Figure 6

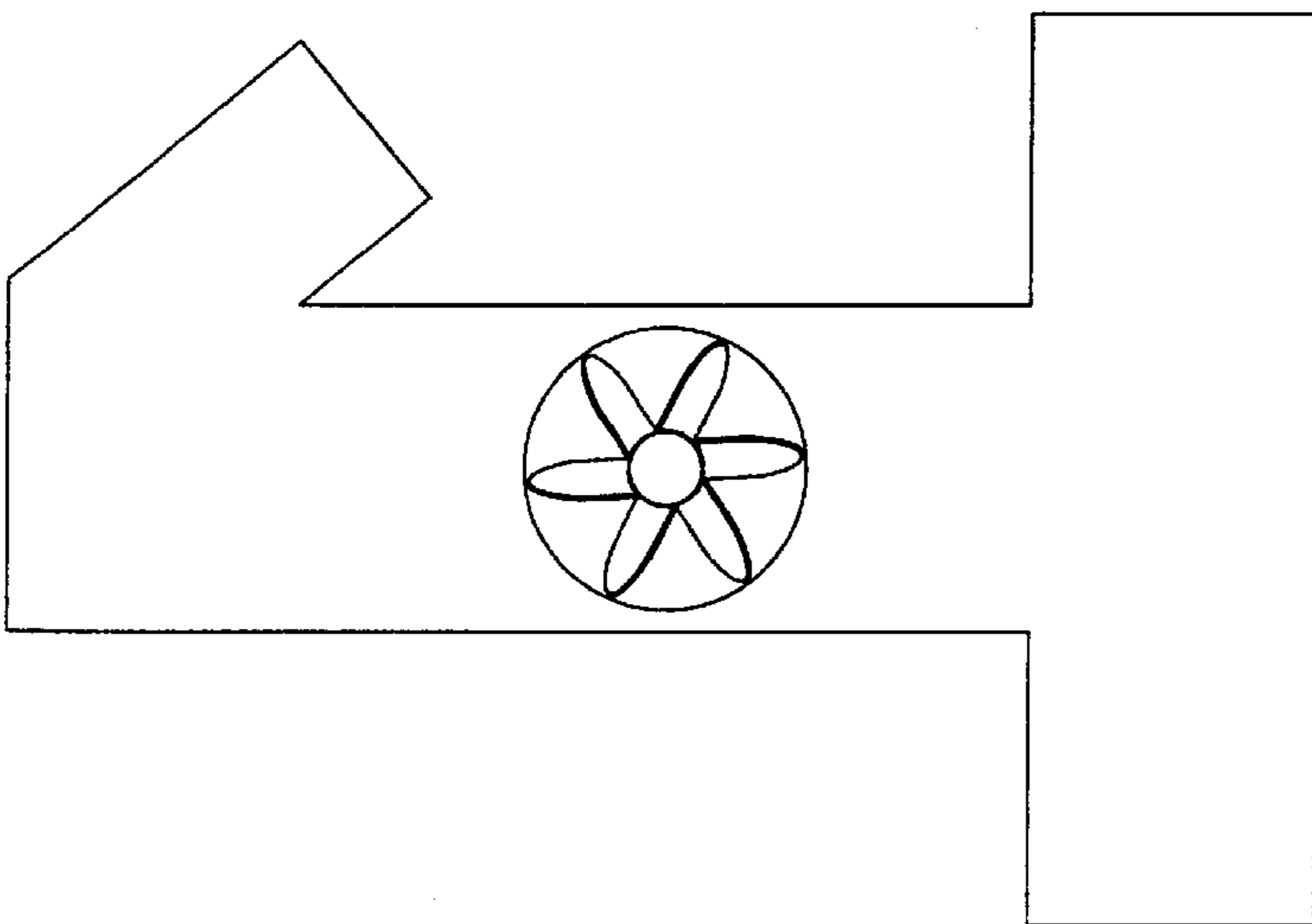


Figure 5

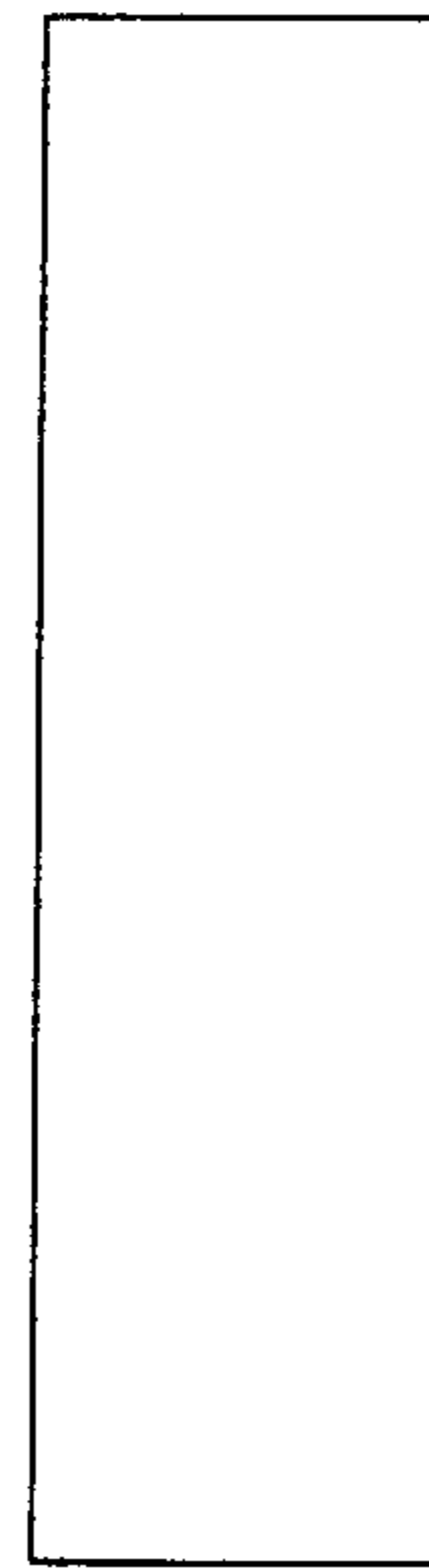


Figure 7