



US00D532090S

(12) **United States Design Patent**
Yu et al.

(10) **Patent No.:** **US D532,090 S**

(45) **Date of Patent:** **** Nov. 14, 2006**

(54) **SHOWER ARM**

D494,261 S * 8/2004 Lin D23/304

(75) Inventors: **Ice Yu**, Shen Zhen (CN); **Ming Huang**,
Shen Zhen (CN)

* cited by examiner

Primary Examiner—Robin Webster

(73) Assignee: **Globe Union Industrial Corp.**,
Taichung (TW)

(74) *Attorney, Agent, or Firm*—Leong C. Lei

(**) Term: **14 Years**

(57) **CLAIM**

The ornamental design for a shower arm, as shown and described.

(21) Appl. No.: **29/228,665**

DESCRIPTION

(22) Filed: **Apr. 27, 2005**

(51) **LOC (8) Cl.** **23-02**

(52) **U.S. Cl.** **D23/304**

(58) **Field of Classification Search** D23/213,
D23/303-4; 4/601; 239/76, 565
See application file for complete search history.

FIG. 1 is a perspective view of a shower arm showing our new design;

FIG. 2 is a front elevational view thereof; the rear being a mirror image thereto;

FIG. 3 is a left side elevational view thereof; the right side being a mirror image thereto;

FIG. 4 is a top plan view thereof;

FIG. 5 is a bottom plan view thereof; and,

FIG. 6 is a perspective view of a shower arm, showing the engagement of the shower arm with the bath accessory posts.

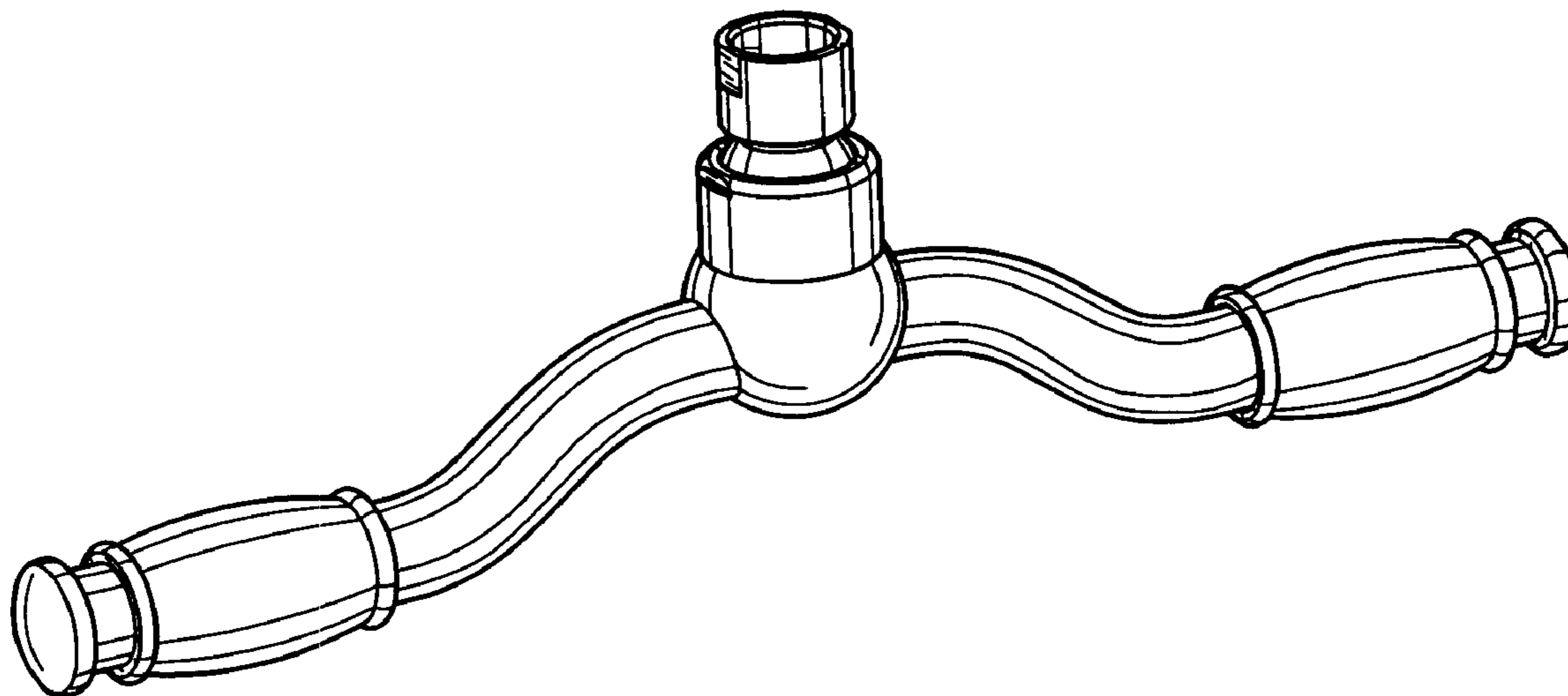
The dotted lines are for illustrative purposes only and form no part of the claimed design.

(56) **References Cited**

U.S. PATENT DOCUMENTS

3,822,826	A	*	7/1974	Wilson	239/267
D329,276	S	*	9/1992	Blake	D23/213
5,564,139	A	*	10/1996	Shorr	4/601
D456,493	S	*	4/2002	Paterson et al.	D23/263
D483,837	S	*	12/2003	Fan	D23/213

1 Claim, 4 Drawing Sheets



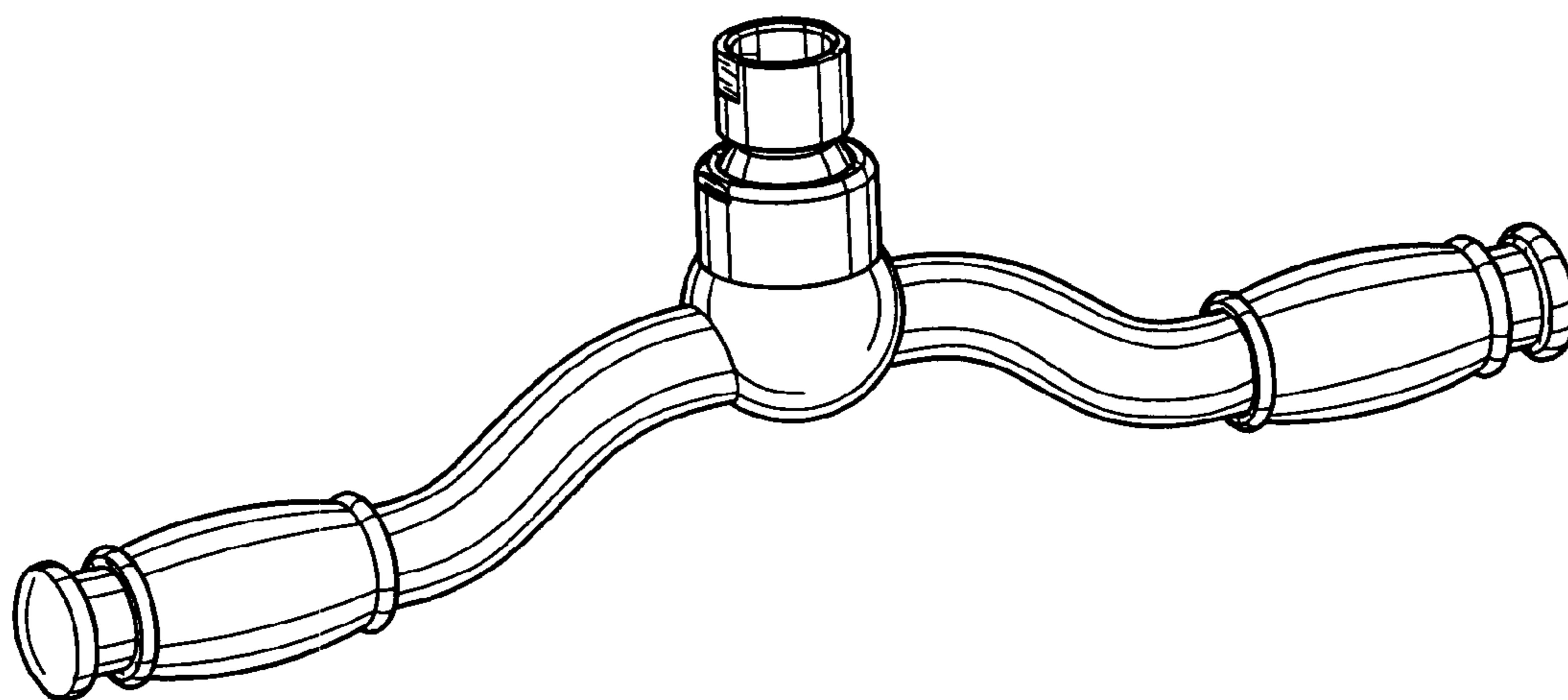


FIG. 1

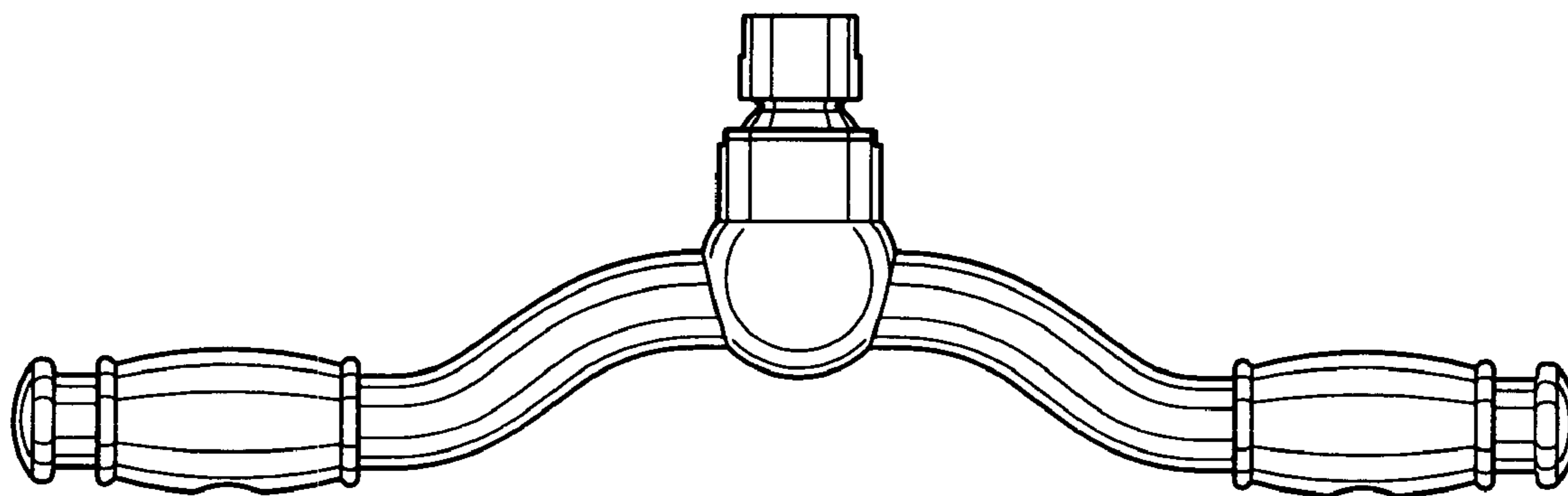


FIG. 2

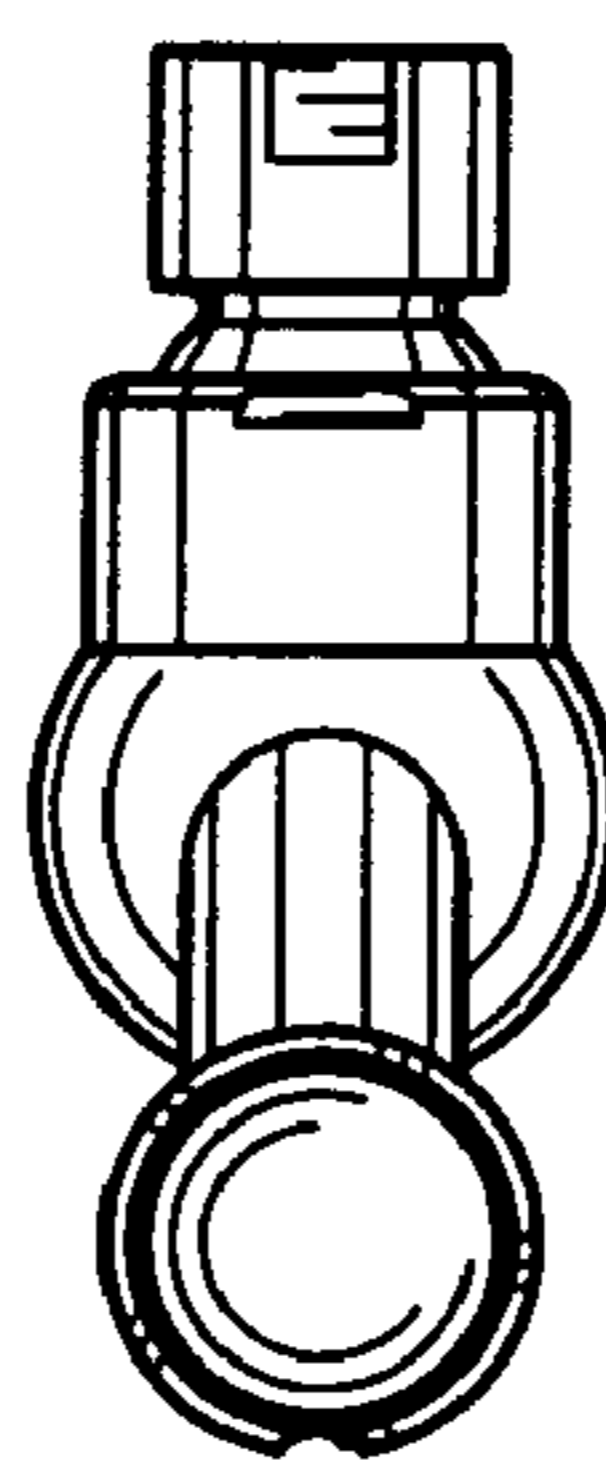


FIG. 3

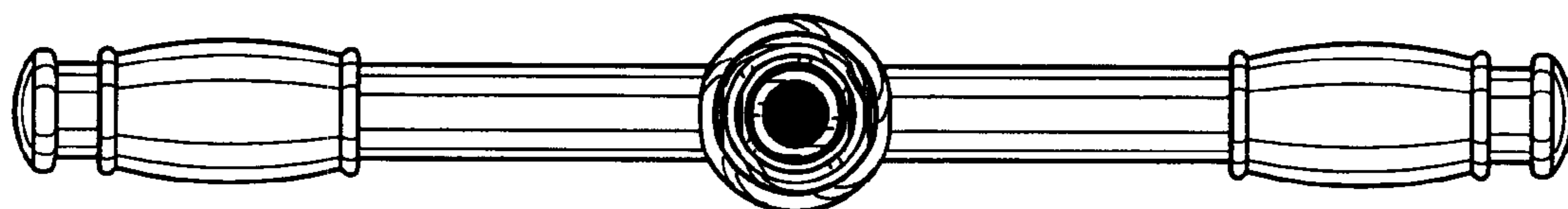


FIG. 4

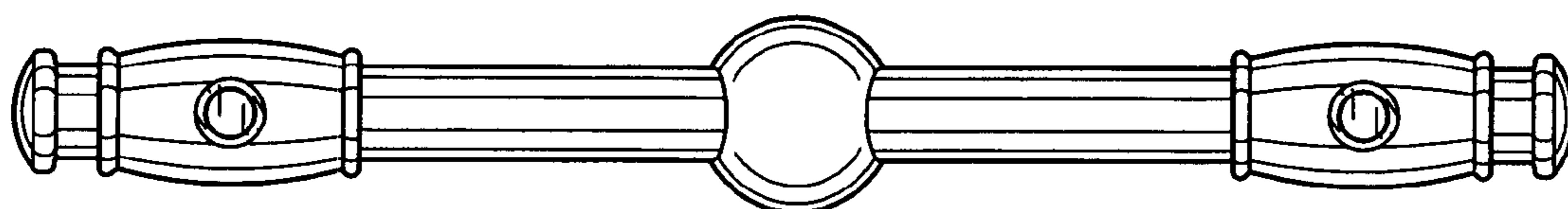


FIG. 5

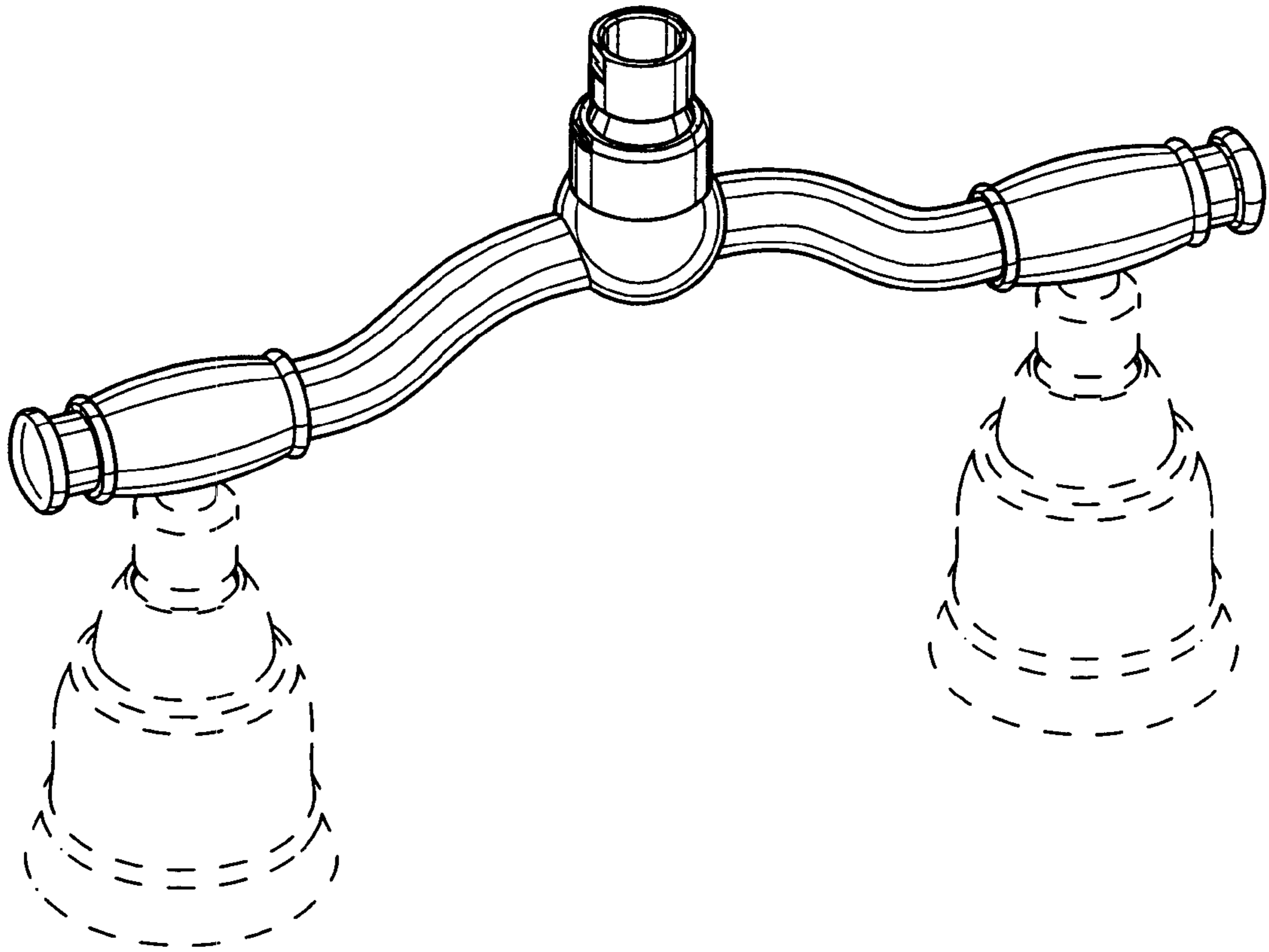


FIG. 6