



US00D532088S

(12) **United States Design Patent**
Sadler

(10) **Patent No.:** **US D532,088 S**

(45) **Date of Patent:** **** Nov. 14, 2006**

(54) **SHOWER COMPARTMENT**

(75) Inventor: **Marc Sadler**, Milan (IT)

(73) Assignee: **American Standard Europe B.V.B.A.**,
Brussels (BE)

(**) Term: **14 Years**

(21) Appl. No.: **29/238,297**

(22) Filed: **Sep. 13, 2005**

(30) **Foreign Application Priority Data**

Mar. 11, 2005 (EM) 000308002-0001

(51) **LOC (8) Cl.** **23-02**

(52) **U.S. Cl.** **D23/283**

(58) **Field of Classification Search** D23/273,
D23/275, 283, 303-305; D24/204; 4/596,
4/612-614, 663, 661, 900

See application file for complete search history.

(56) **References Cited**

U.S. PATENT DOCUMENTS

D321,755 S * 11/1991 Poulson et al. D23/305

5,642,959 A * 7/1997 Greferath 4/596
D487,137 S * 2/2004 Itakura D23/274
D496,437 S * 9/2004 Haug et al. D23/283
D498,834 S * 11/2004 Rooke et al. D23/304

* cited by examiner

Primary Examiner—Robert A. Delehanty

(57) **CLAIM**

The ornamental design for a shower compartment, as shown and described.

DESCRIPTION

FIG. 1 is a perspective view of a shower compartment showing my new design;

FIG. 2 is a top view thereof;

FIG. 3 is a front view thereof;

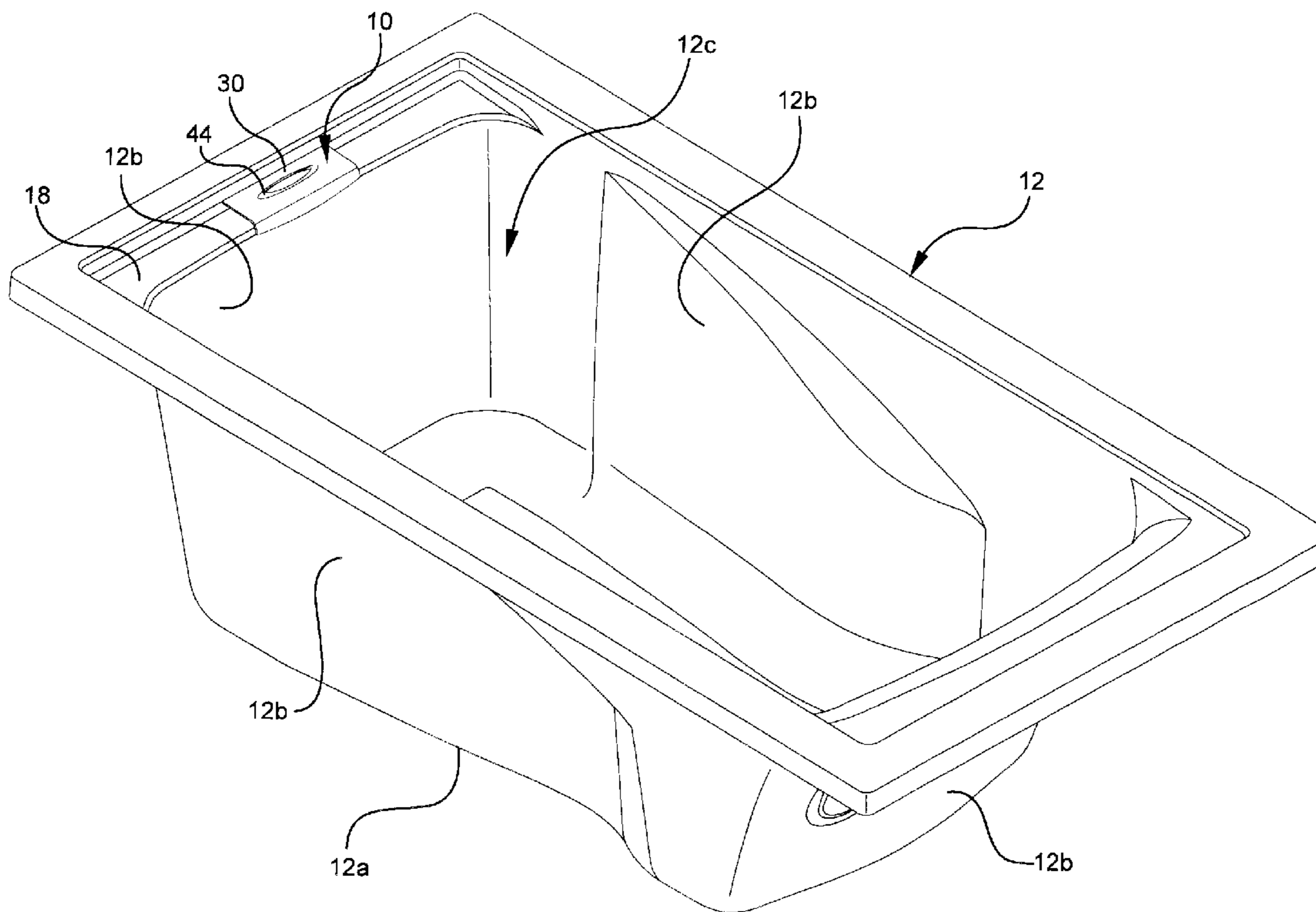
FIG. 4 is a bottom view thereof;

FIG. 5 is a left side view thereof;

FIG. 6 is a right side view thereof; and,

FIG. 7 is a rear view thereof.

1 Claim, 7 Drawing Sheets



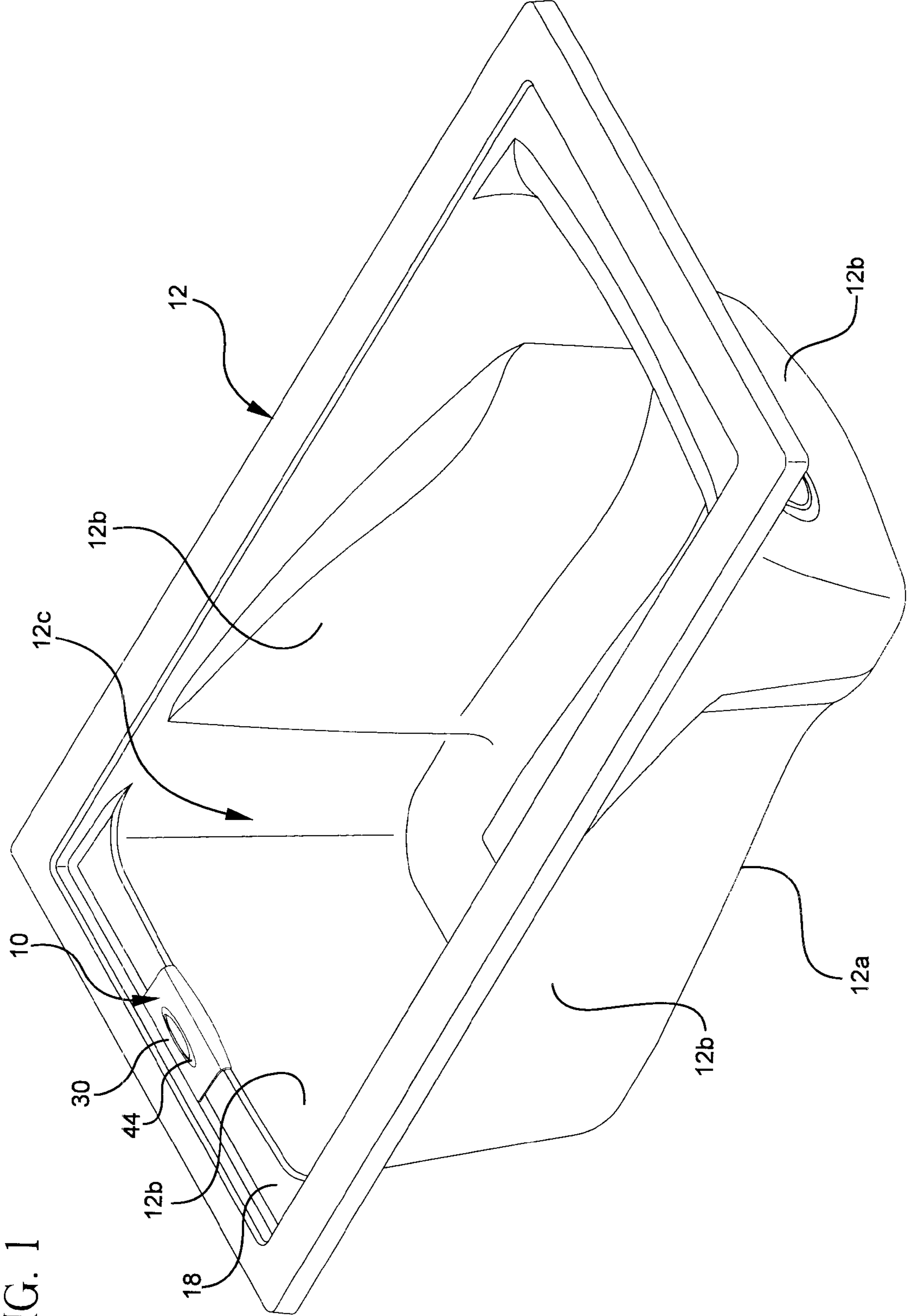


FIG. 1

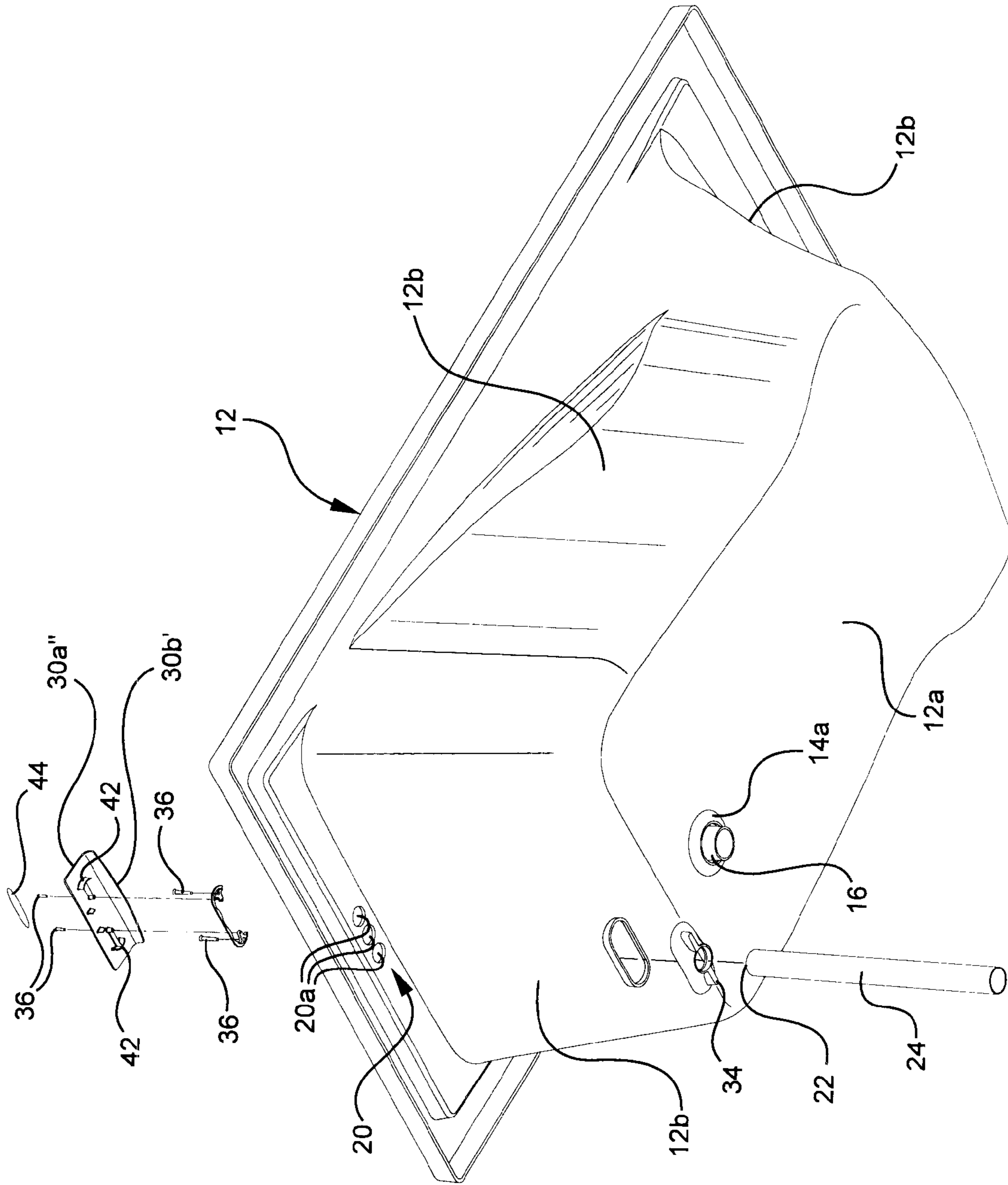


FIG. 2

FIG. 3

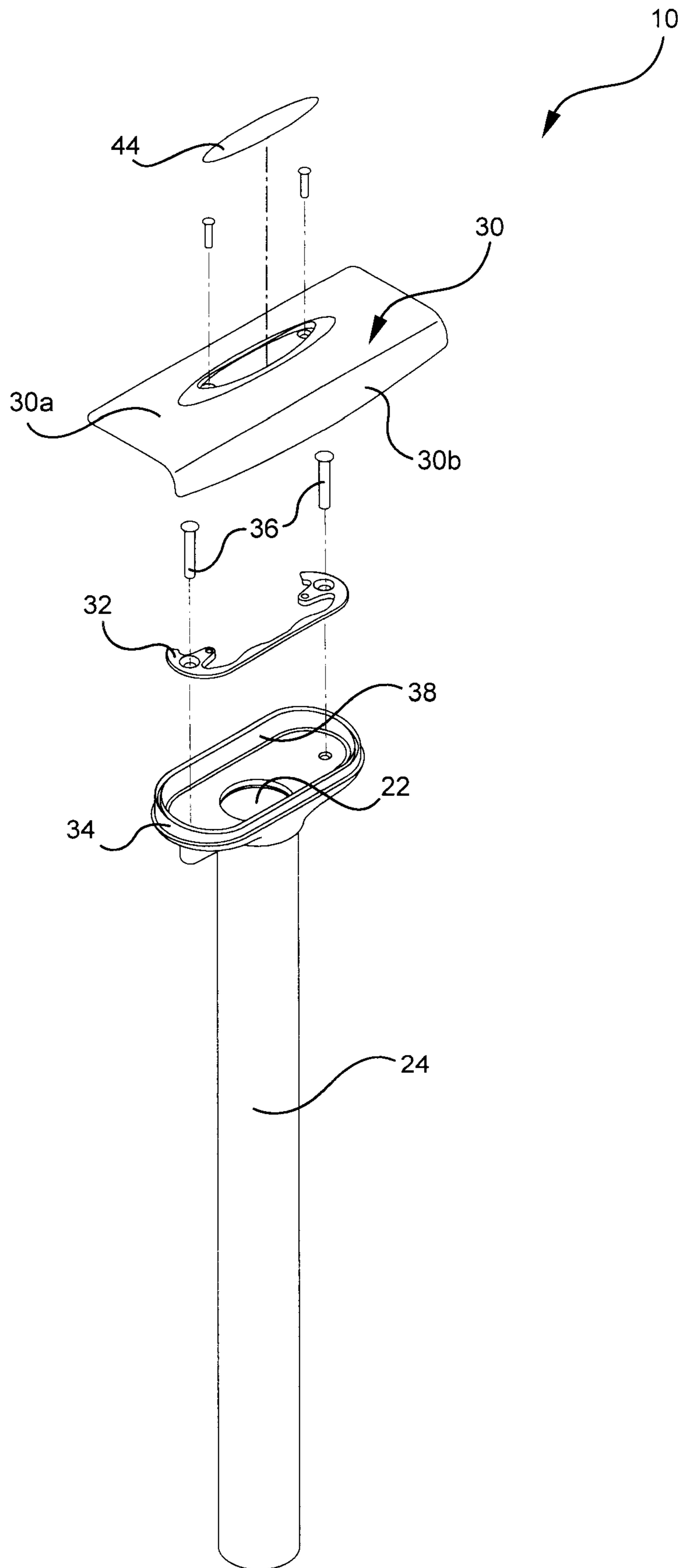


FIG. 4

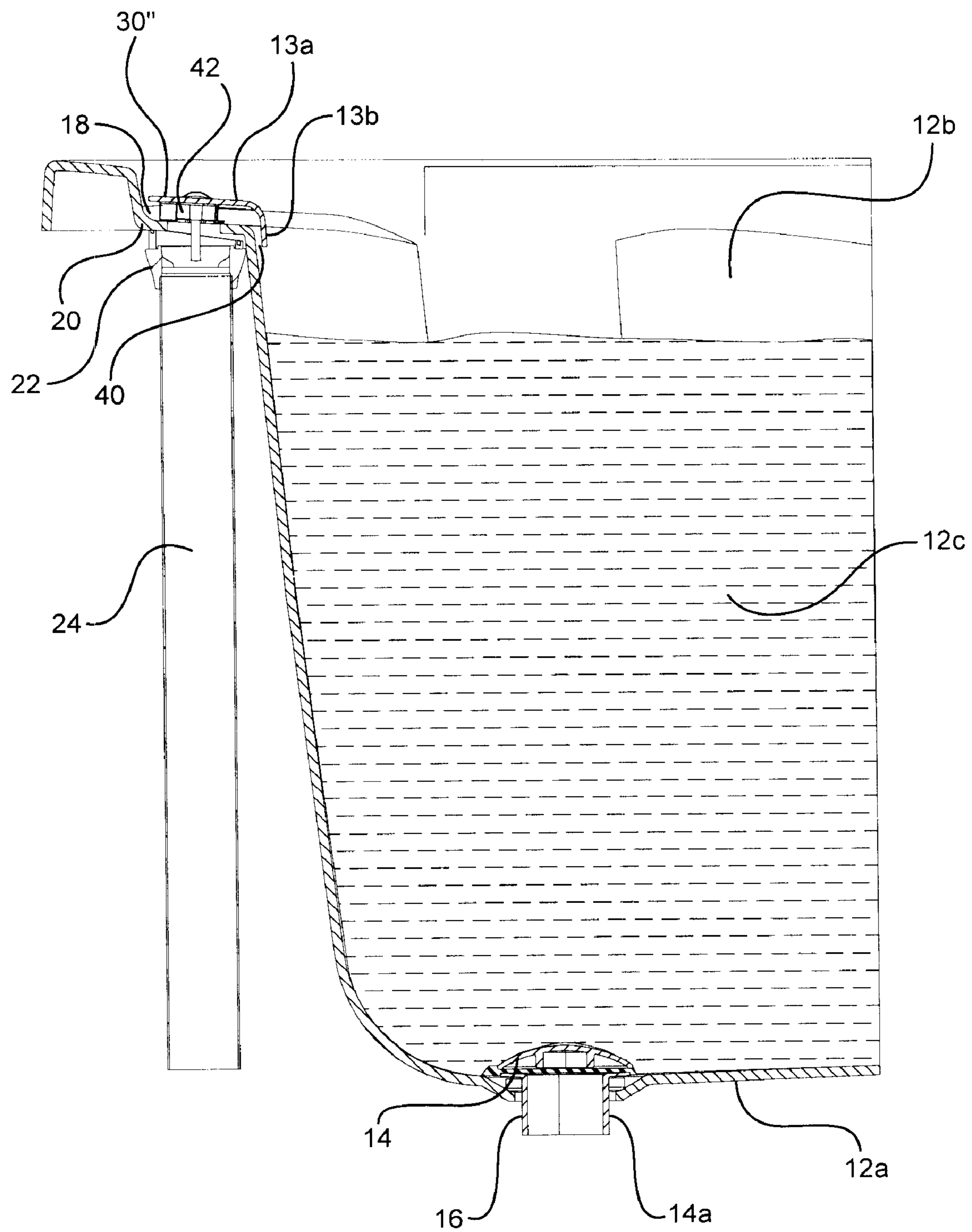


FIG. 5

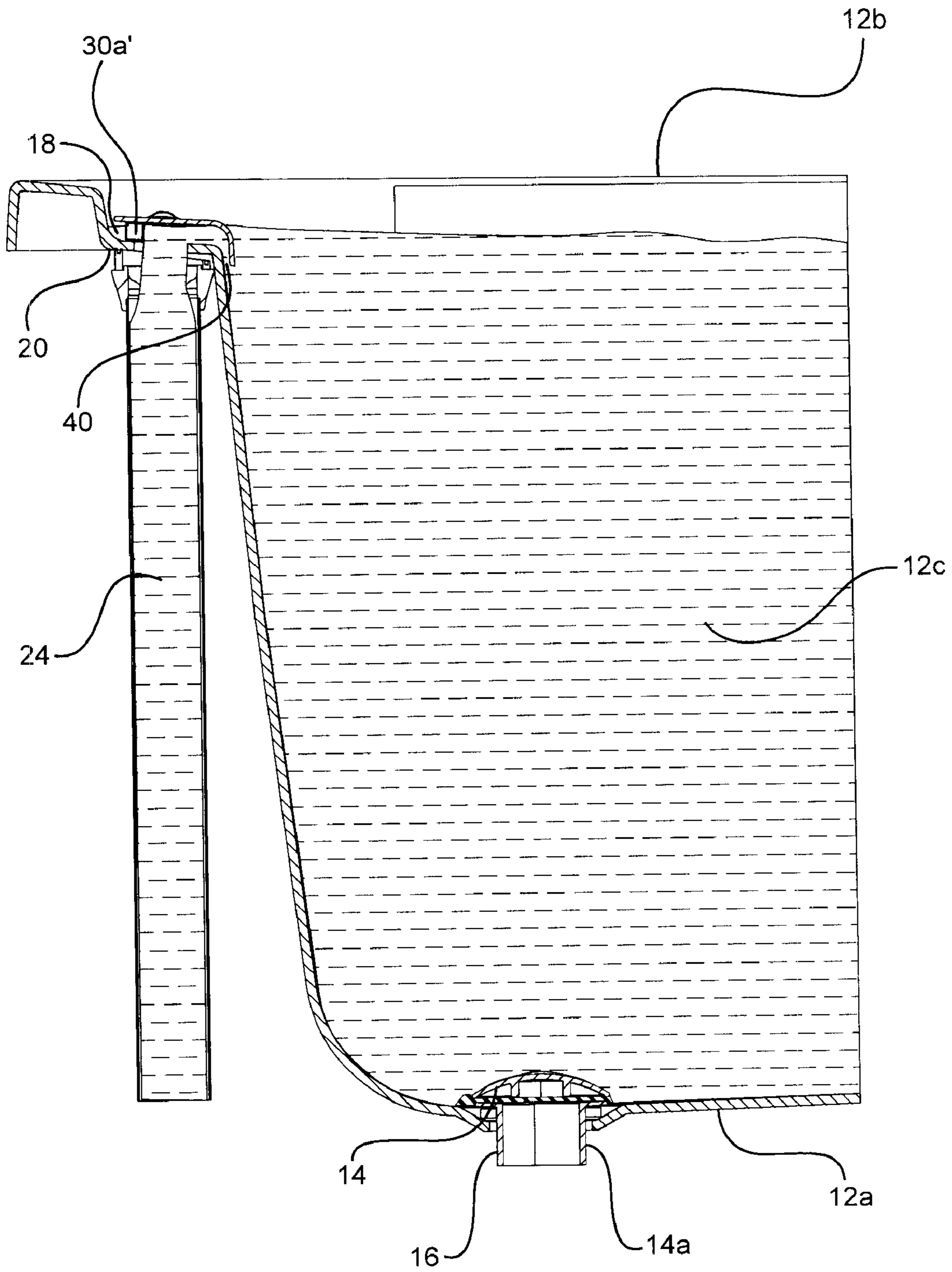


FIG. 6

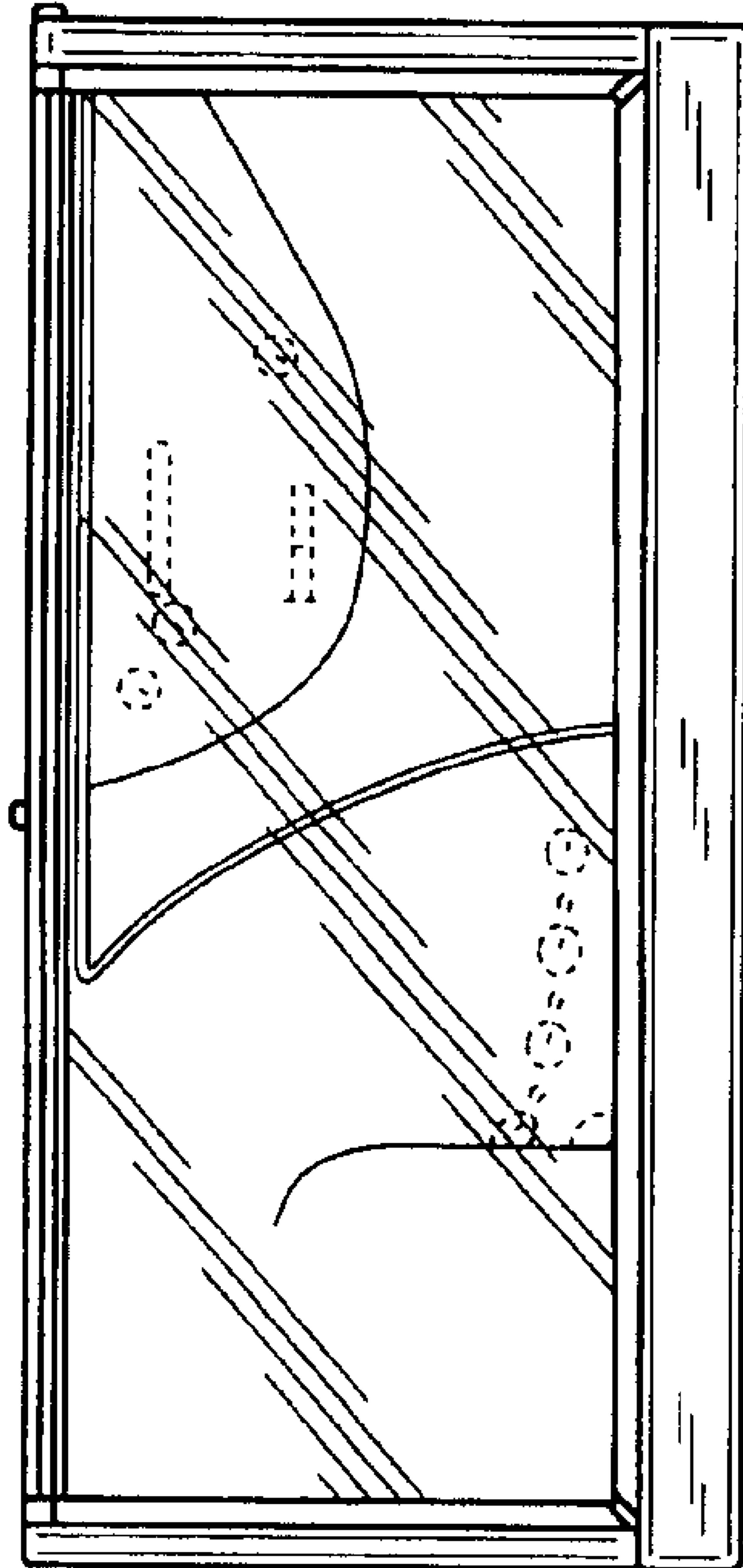
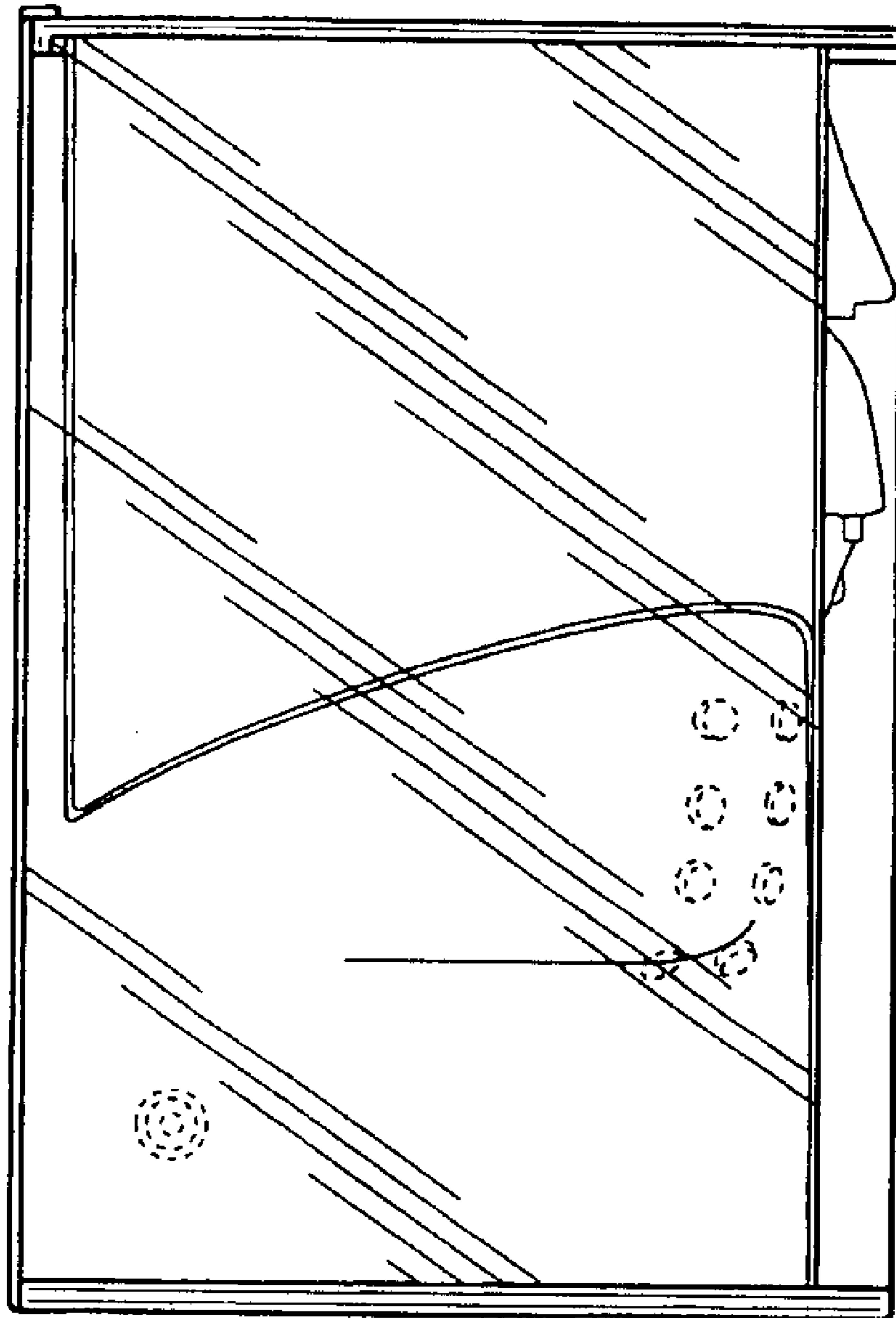


FIG. 7



UNITED STATES PATENT AND TRADEMARK OFFICE
CERTIFICATE OF CORRECTION

PATENT NO. : Des. 532,088 S
APPLICATION NO. : 29/238297
DATED : November 14, 2006
INVENTOR(S) : Sadler

Page 1 of 9

It is certified that error appears in the above-identified patent and that said Letters Patent is hereby corrected as shown below:

Title page, showing an illustrative figure, should be deleted and substitute therefore the attached title page.

Delete the drawing sheets containing figures 1 thru 7 and substitute therefore the attached sheets containing figures 1 thru 7

Signed and Sealed this

Eighth Day of April, 2008

A handwritten signature in black ink that reads "Jon W. Dudas". The signature is written in a cursive style with a large, looped initial "J".

JON W. DUDAS

Director of the United States Patent and Trademark Office

(12) **United States Design Patent** (10) **Patent No.:** **US D532,088 S**
Sadler (45) **Date of Patent:** **** Nov. 14, 2006**

(54) **SHOWER COMPARTMENT**

(75) **Inventor:** Marc Sadler, Milan (IT)

(73) **Assignee:** American Standard Europe B.V.B.A., Brussels (BE)

(**) **Term:** 14 Years

(21) **Appl. No.:** 29/238,297

(22) **Filed:** Sep. 13, 2005

(30) **Foreign Application Priority Data**

Mar. 11, 2005 (EM) 000308002-0001

(51) **LOC (8) CL** 23-02

(52) **U.S. CL** D23/283

(58) **Field of Classification Search** D23/273, D23/275, 283, 303-305; D24/204; 4/596, 4/612-614, 663, 661, 900

See application file for complete search history.

(56) **References Cited**

U.S. PATENT DOCUMENTS

D321,755 S * 11/1991 Poulson et al. D23/305

5,642,859 A * 7/1997 Greferath 4/596
 D487,137 S * 2/2004 Itakura D23/274
 D496,437 S * 9/2004 Hang et al. D23/283
 D498,834 S * 11/2004 Rooke et al. D23/304

* cited by examiner

Primary Examiner—Robert A. Delehanty

(57) **CLAIM**

The ornamental design for a shower compartment, as shown and described.

DESCRIPTION

FIG. 1 is a perspective view of a shower compartment showing my new design;
 FIG. 2 is a top view thereof;
 FIG. 3 is a front view thereof;
 FIG. 4 is a bottom view thereof;
 FIG. 5 is a left side view thereof;
 FIG. 6 is a right side view thereof; and,
 FIG. 7 is a rear view thereof.

1 Claim, 7 Drawing Sheets

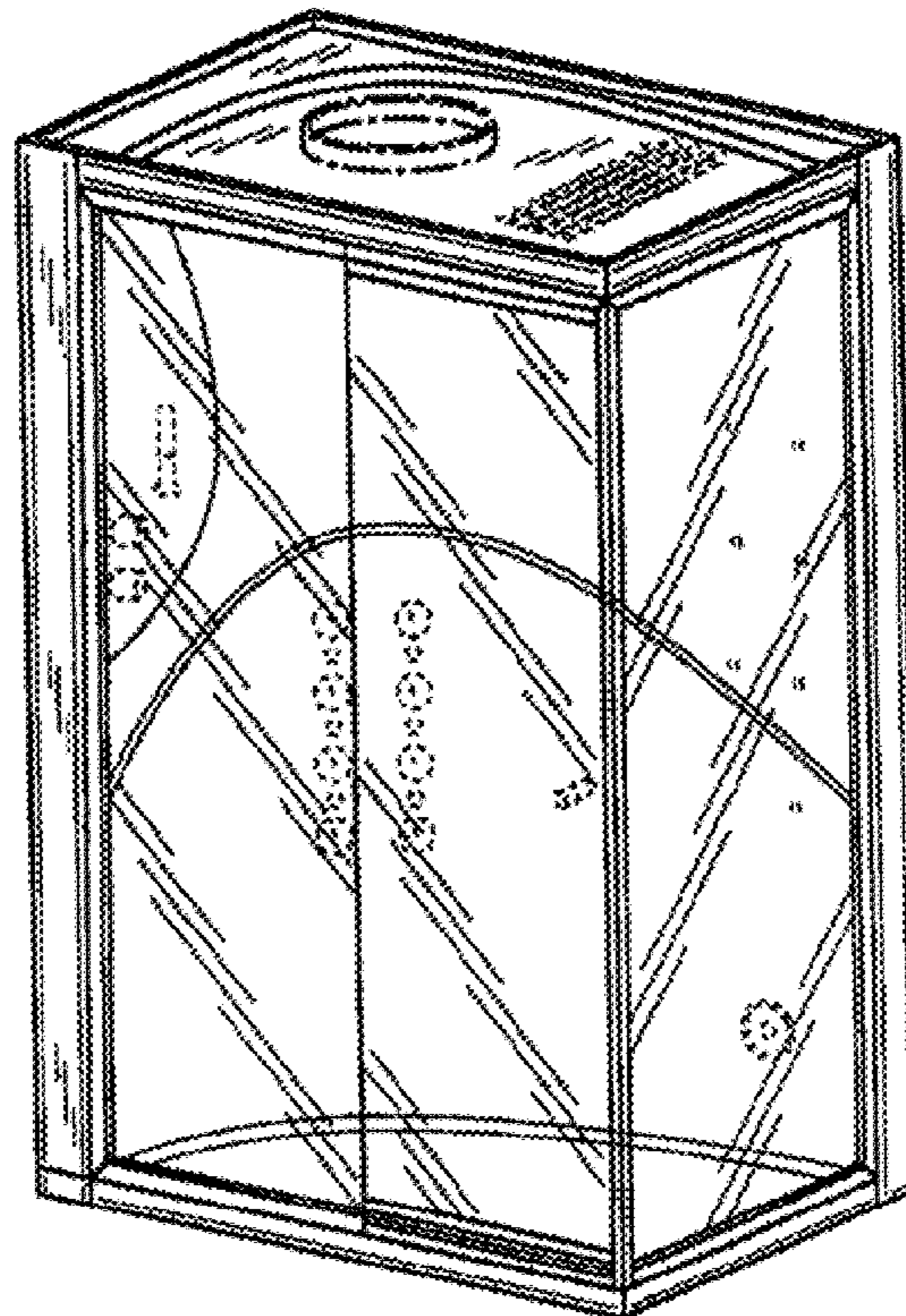


FIG. 1

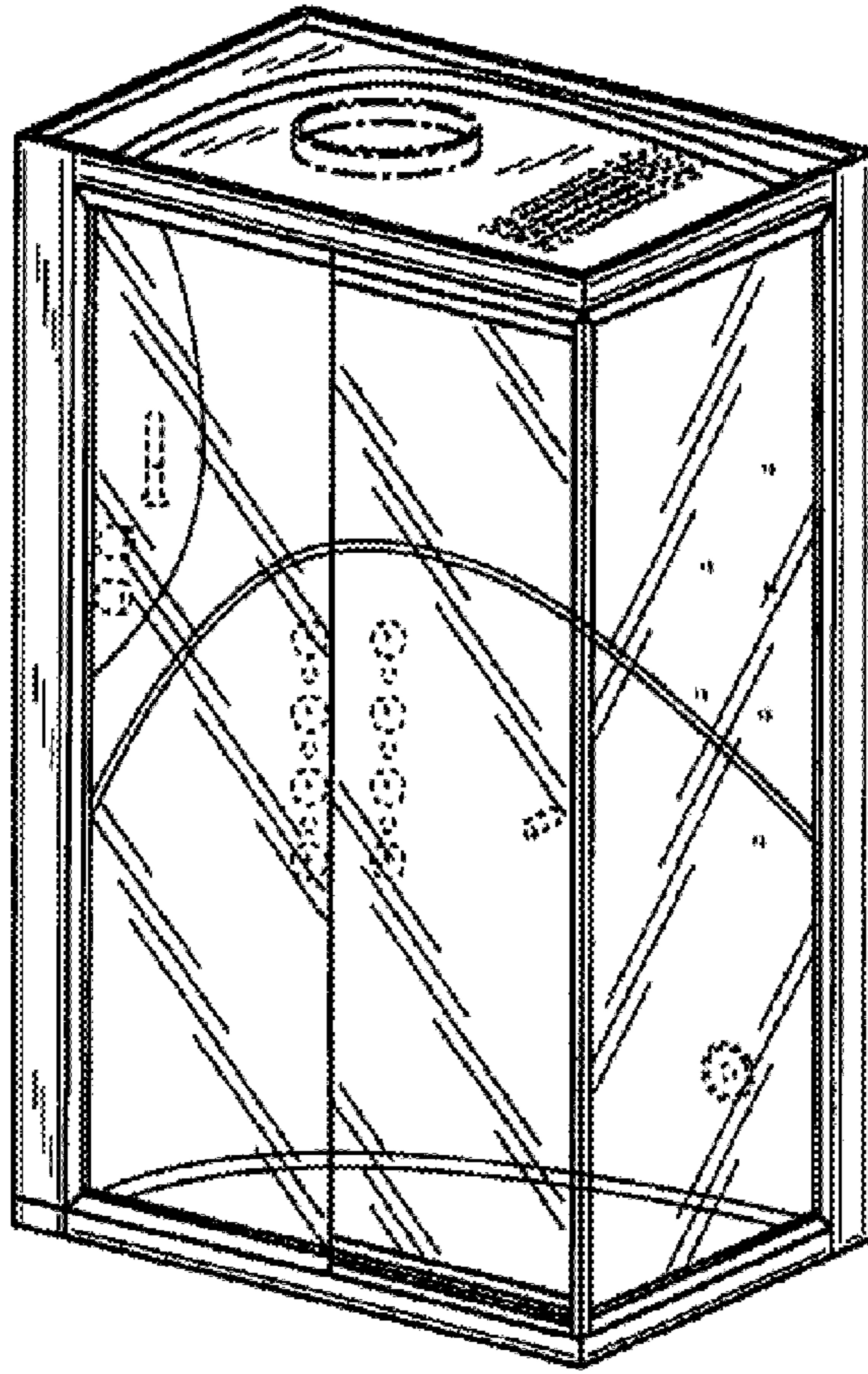


FIG. 2

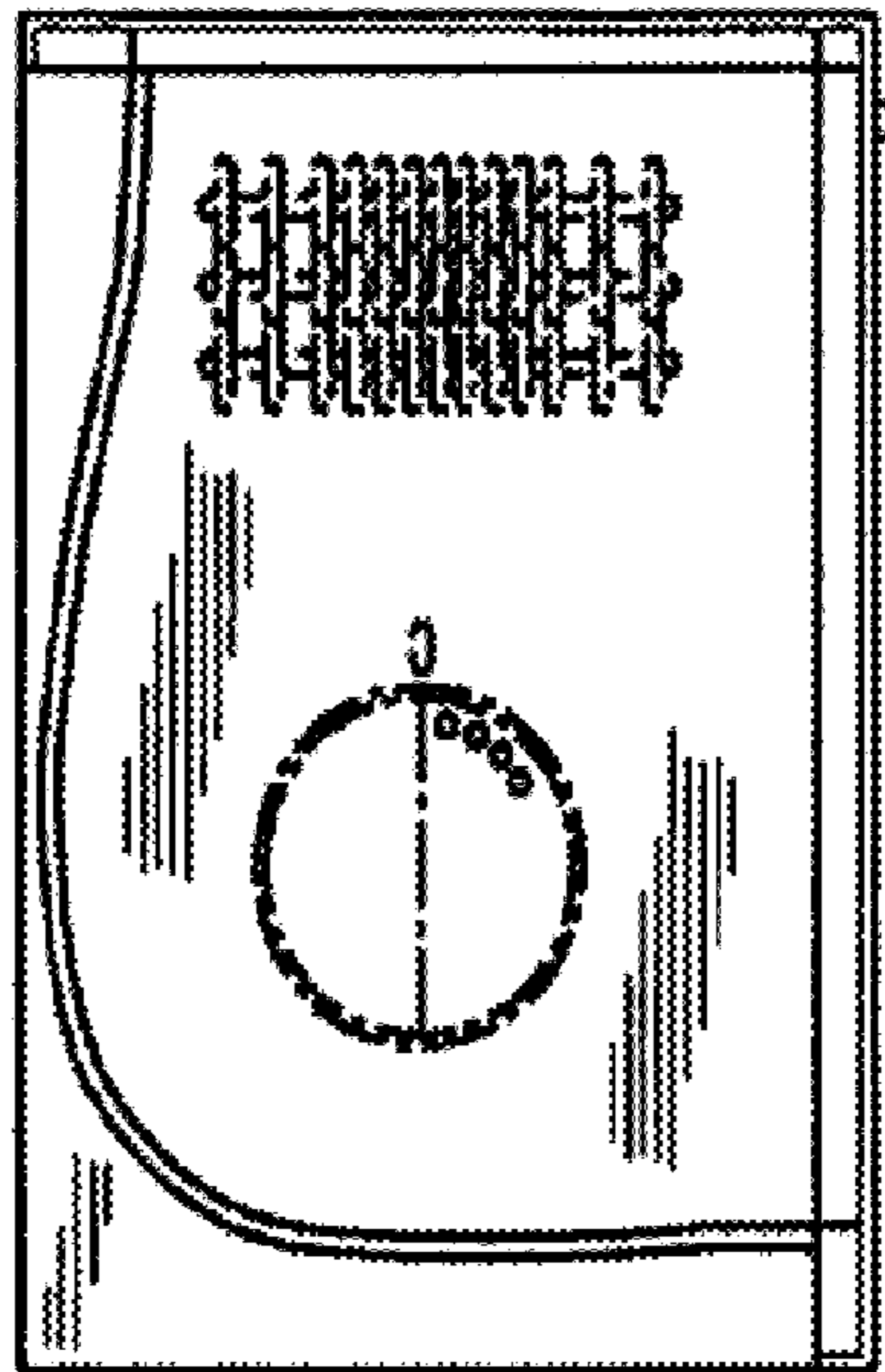


FIG. 3

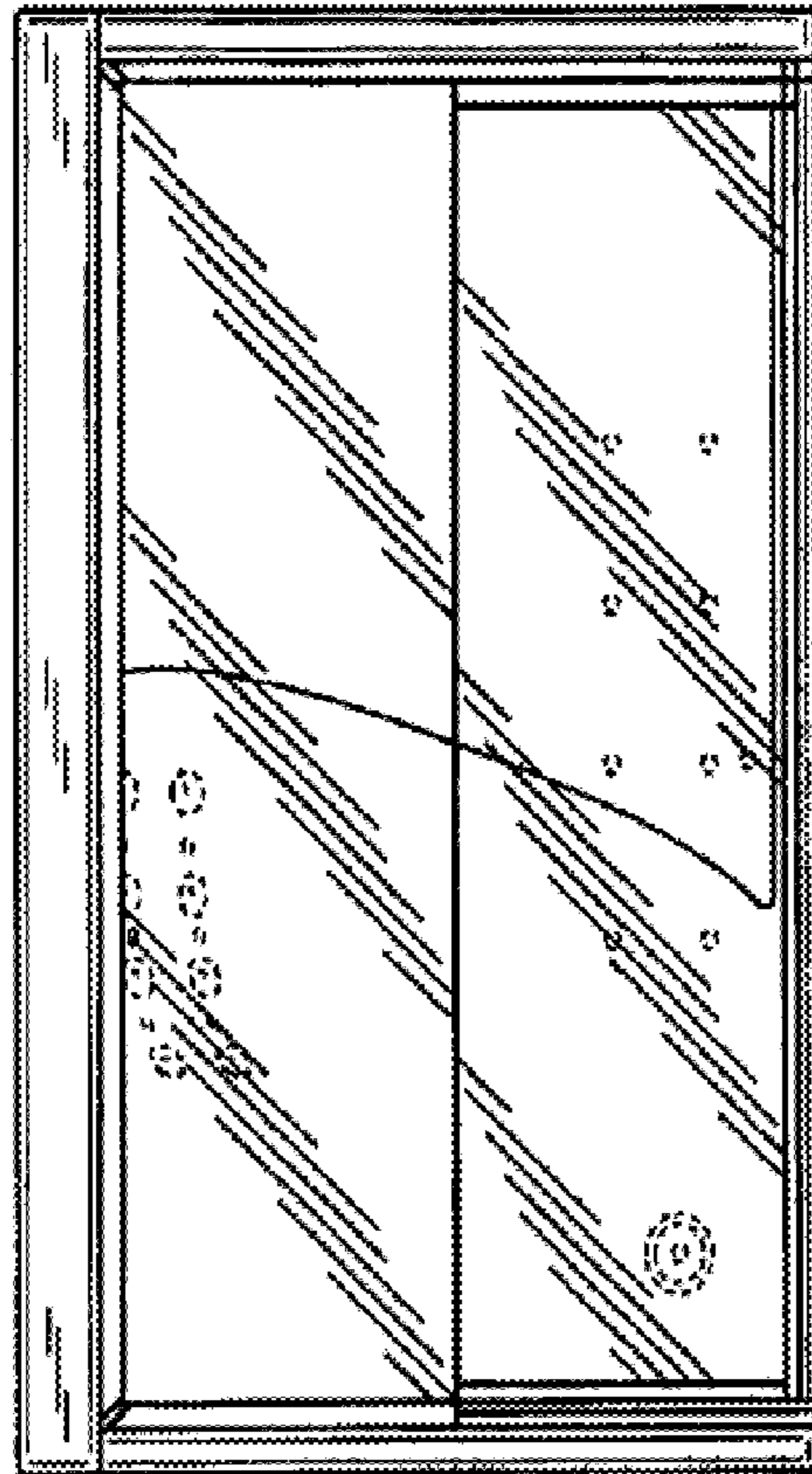


FIG. 4

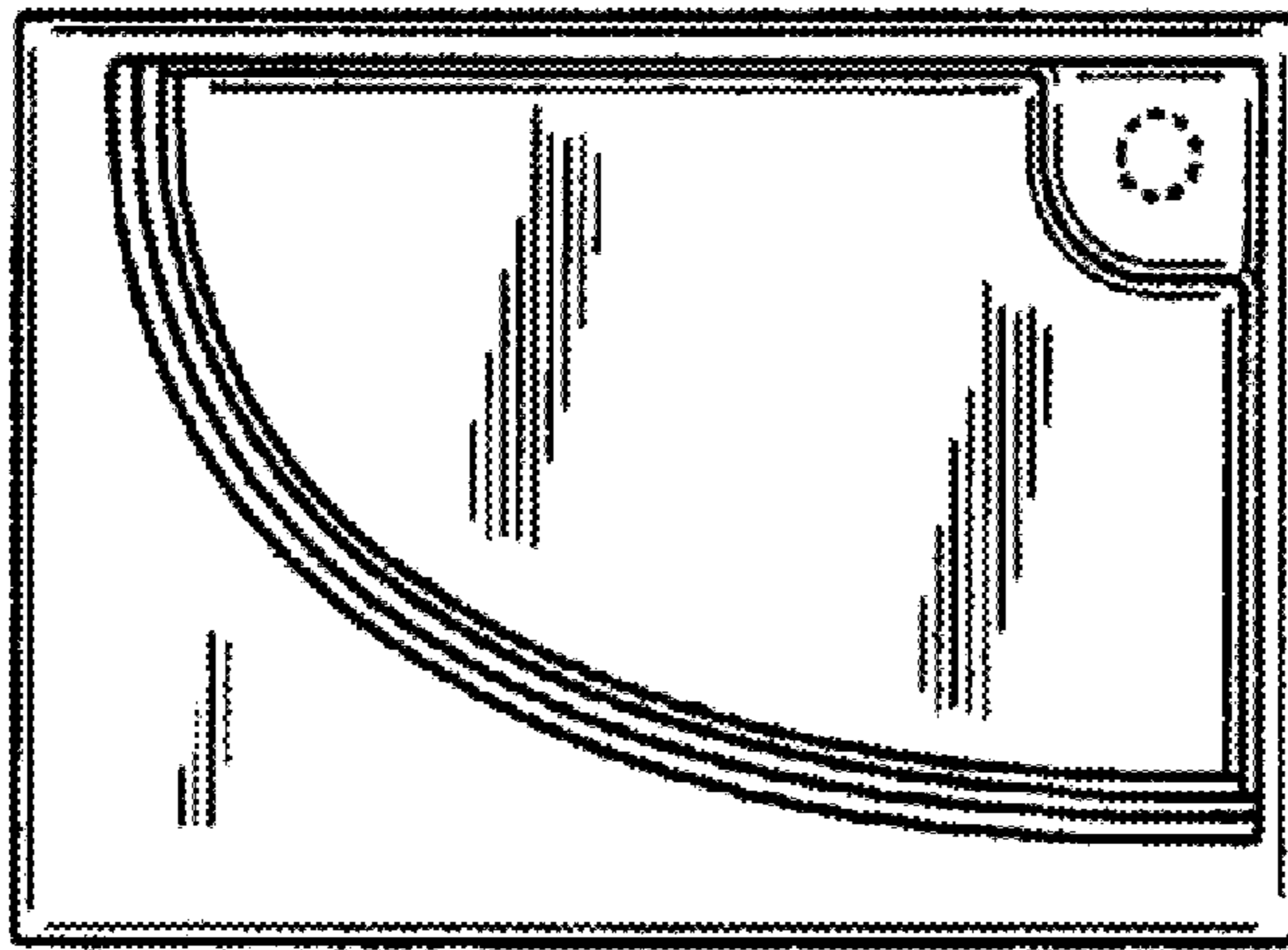


FIG. 5

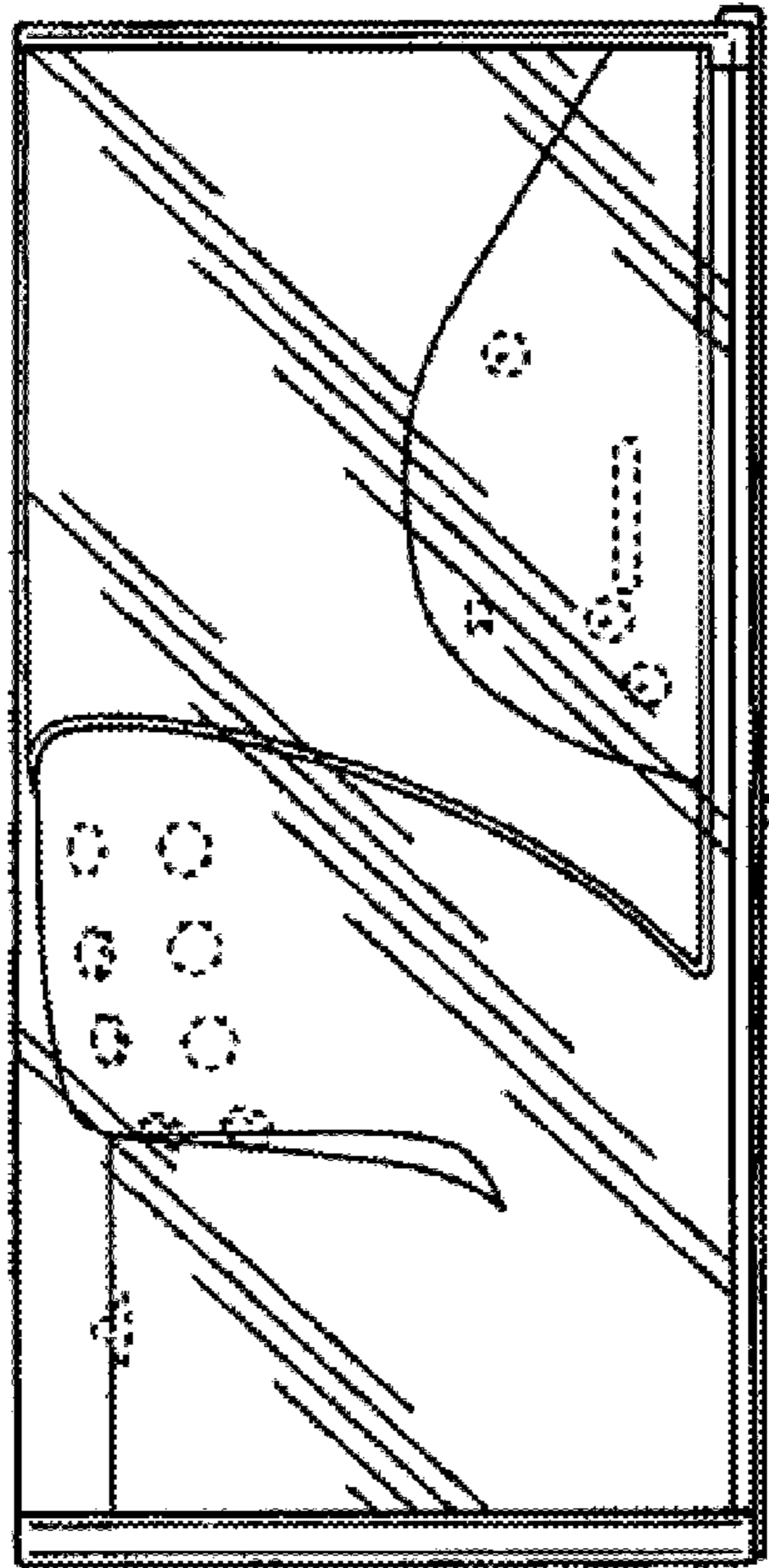


FIG. 6

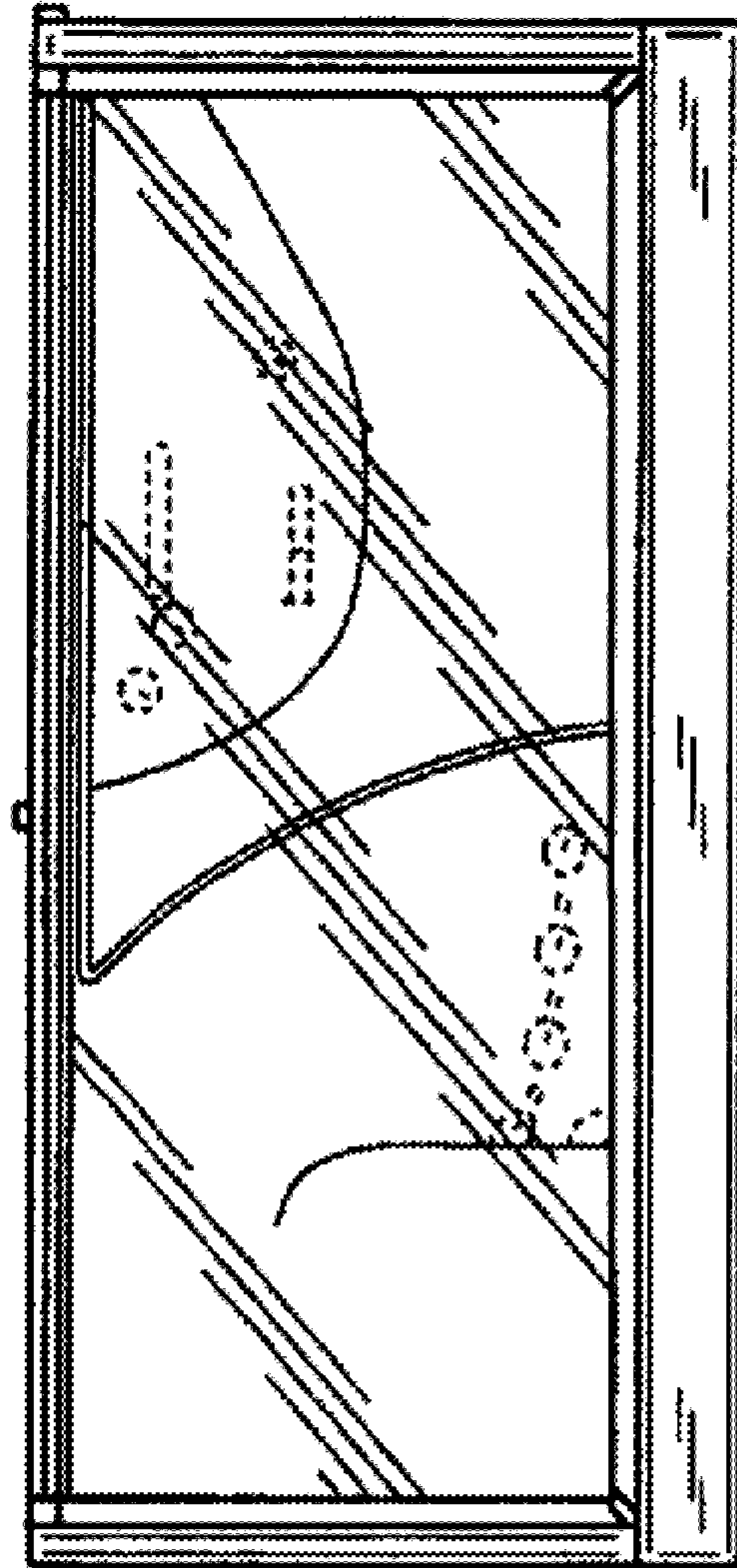


FIG. 7

