



US00D532087S

(12) **United States Design Patent**
Citterio

(10) **Patent No.:** **US D532,087 S**

(45) **Date of Patent:** **** Nov. 14, 2006**

(54) **SHOWER CONTROL**

D477,859 S * 7/2003 Citterio D23/241
D493,868 S * 8/2004 Haug et al. D23/245

(75) Inventor: **Antonio Citterio**, Milan (IT)

* cited by examiner

(73) Assignee: **Hansgrohe AG** (DE)

Primary Examiner—Louis S. Zarfes

(**) Term: **14 Years**

Assistant Examiner—Gregory Andoll

(21) Appl. No.: **29/233,918**

(74) *Attorney, Agent, or Firm*—Kwadjo Adusei-Poku;
Lloyd D. Doigan

(22) Filed: **Jul. 11, 2005**

(57) **CLAIM**

(30) **Foreign Application Priority Data**

The ornamental design for a shower control, as shown and described.

Jan. 12, 2005 (EM) 000278627-0006

DESCRIPTION

(51) **LOC (8) Cl.** **23-01**

FIG. 1 is a front perspective view of a shower control showing my design;

(52) **U.S. Cl.** **D23/252**

(58) **Field of Classification Search** D23/238–257;
D8/250–257, 300–322, DIG. 3; 16/110.1;
4/675–678; 137/801

FIG. 2 is a right side elevational view thereof; the left side elevational view being a mirror image thereof;

See application file for complete search history.

FIG. 3 is a top plan view thereof;

FIG. 4 is a front elevational view thereof; and,

FIG. 5 is a bottom plan view thereof.

The broken lines in the Figures are for illustrative purposes only and form no part of the claimed design.

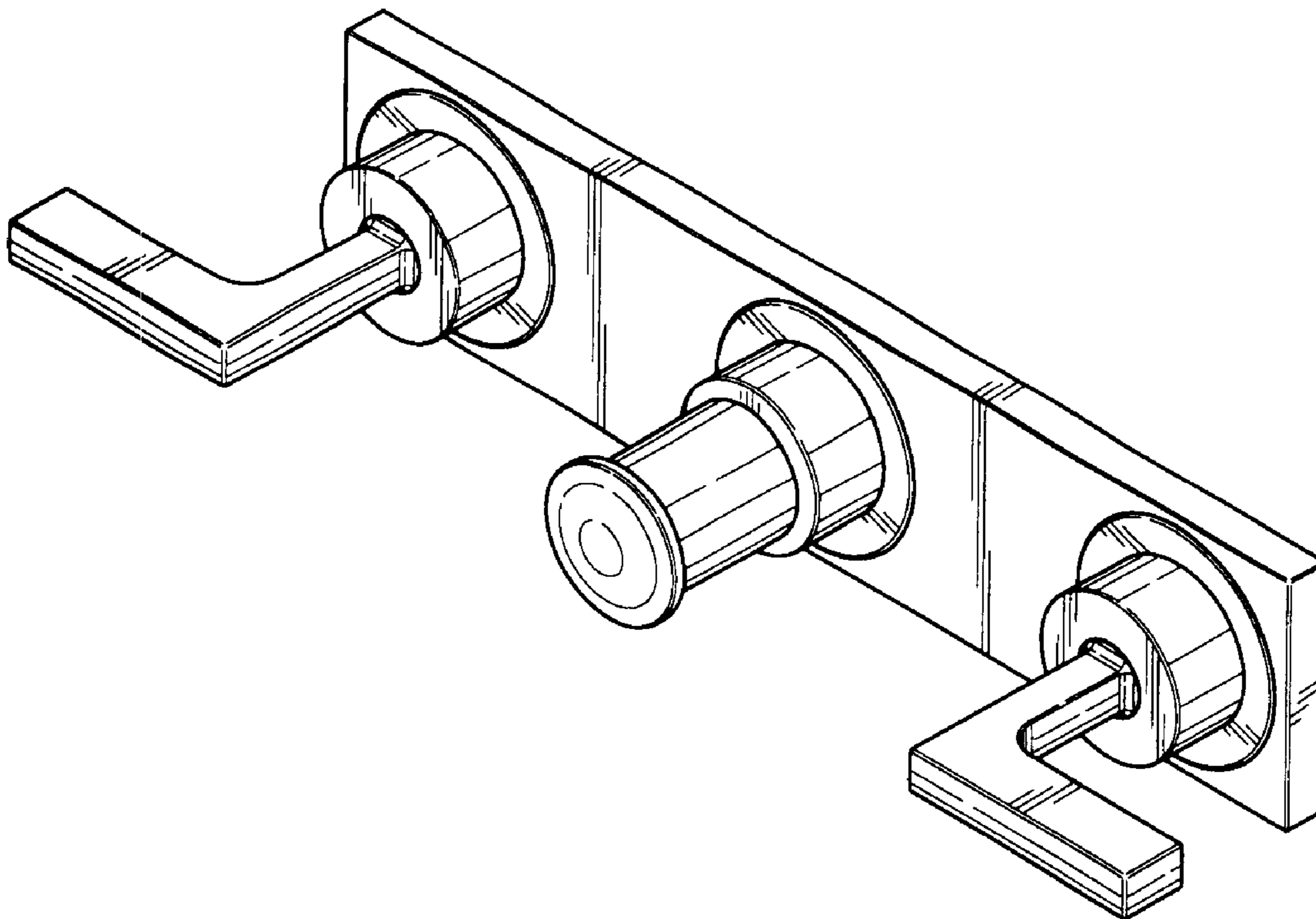
(56) **References Cited**

U.S. PATENT DOCUMENTS

D418,582 S * 1/2000 Gottwald et al. D23/254

D475,123 S * 5/2003 Citterio D23/241

1 Claim, 2 Drawing Sheets



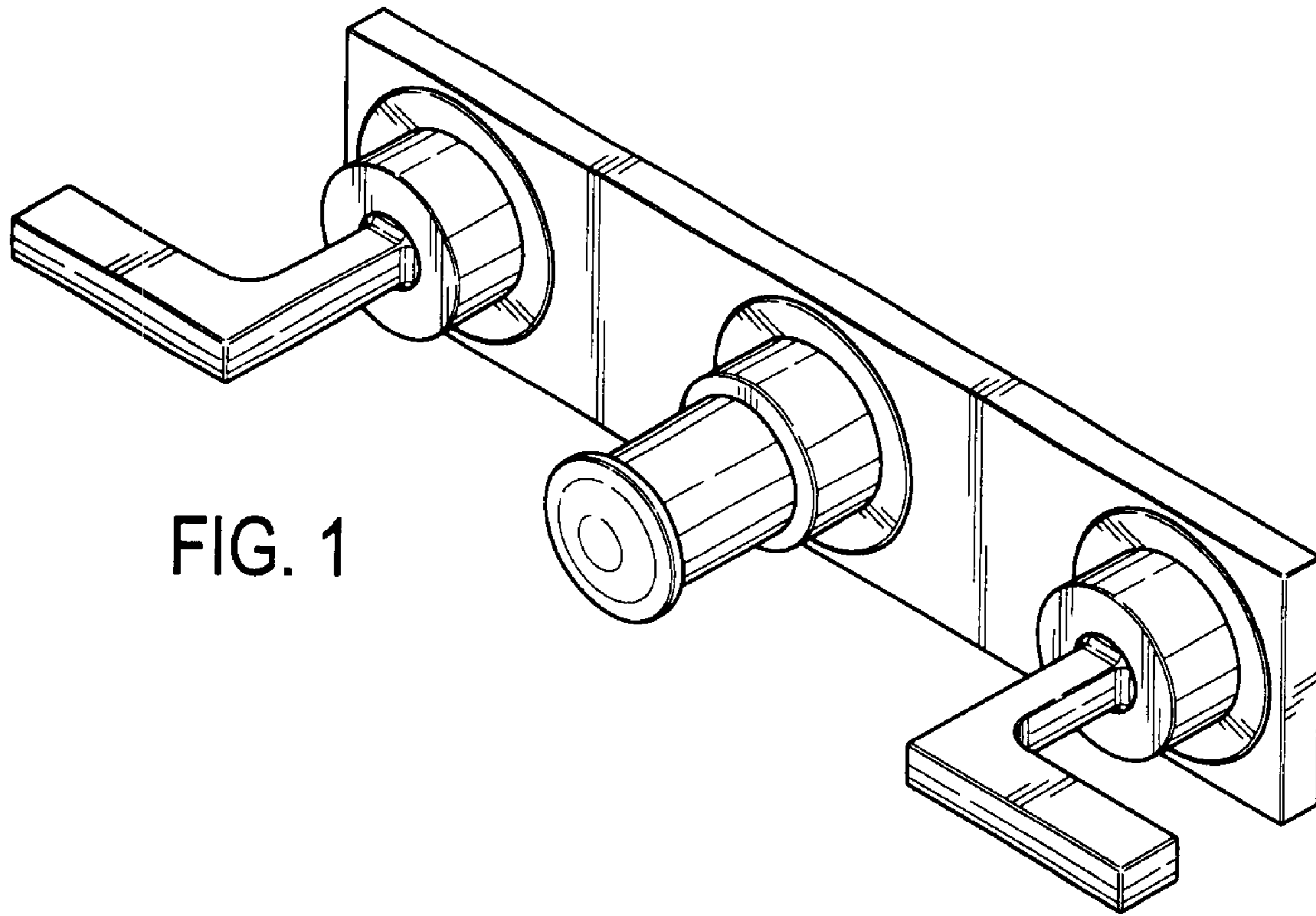


FIG. 1

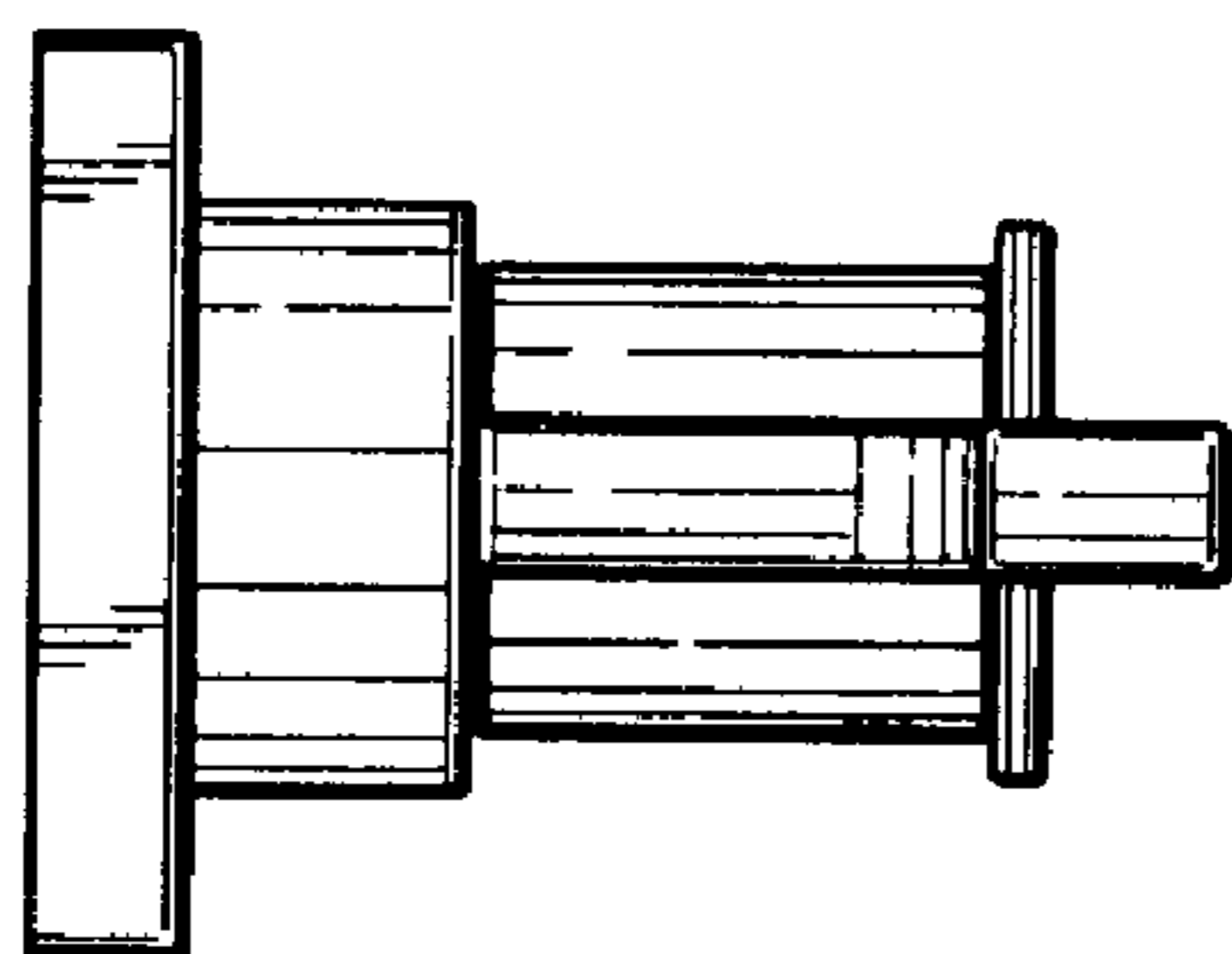


FIG. 2

FIG. 3

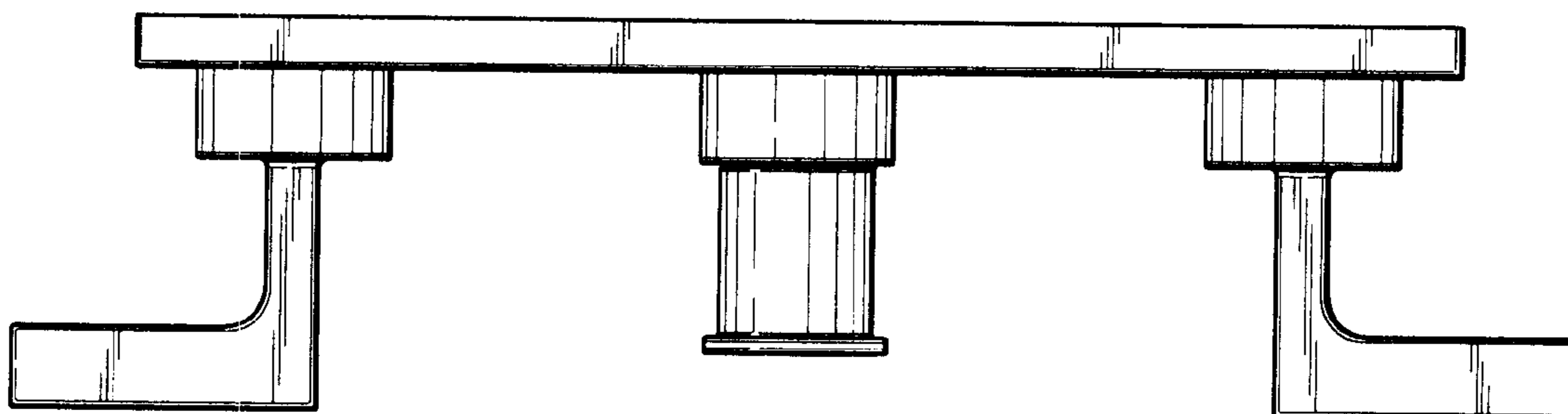


FIG. 4

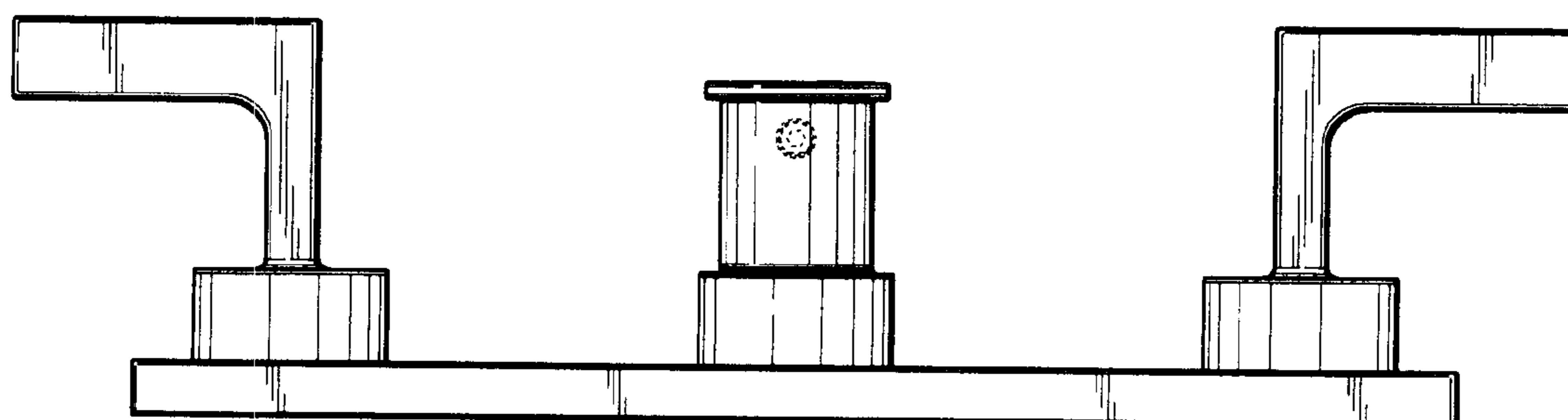
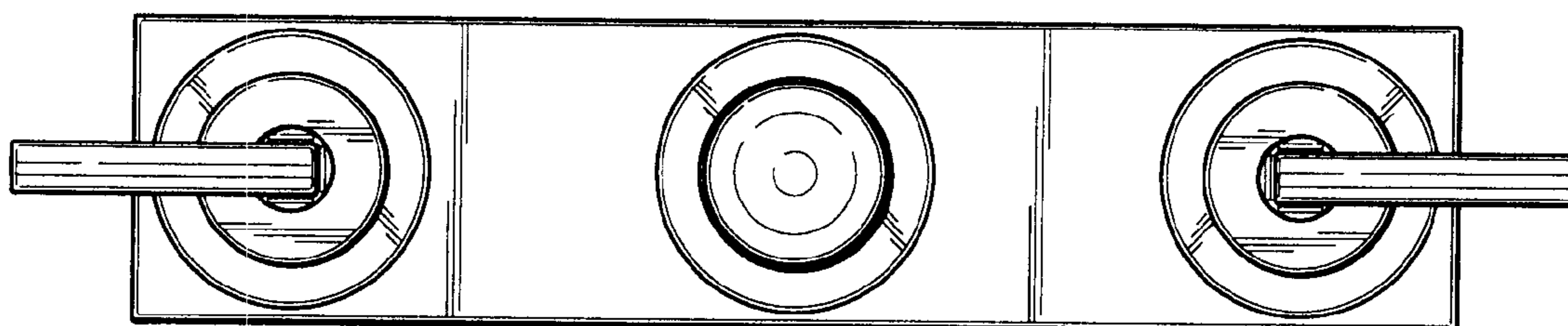


FIG. 5