



US00D532086S

(12) **United States Design Patent**  
**Haug et al.**

(10) **Patent No.:** **US D532,086 S**

(45) **Date of Patent:** **\*\* Nov. 14, 2006**

(54) **FAUCET HANDLE**

(75) Inventors: **Andreas Haug**, Stuttgart (DE); **Tom Schonherr**, Stuttgart (DE); **Andreas Dimitriadis**, Lorch (DE); **Johann Duck**, Stuttgart (DE)

(73) Assignee: **Hansgrohe AG** (DE)

(\*\*) Term: **14 Years**

(21) Appl. No.: **29/232,730**

(22) Filed: **Jun. 23, 2005**

(30) **Foreign Application Priority Data**

Dec. 23, 2004 (EM) ..... 000273586-0010

(51) **LOC (8) Cl.** ..... **23-01**

(52) **U.S. Cl.** ..... **D23/252**

(58) **Field of Classification Search** ..... D23/238-257;  
D8/250-257, 300-322, DIG. 3; 16/110.1;  
4/675-678; 137/801

See application file for complete search history.

(56) **References Cited**

**U.S. PATENT DOCUMENTS**

D342,988 S \* 1/1994 Jans ..... D23/252

D357,060 S \* 4/1995 Haug et al. .... D23/252  
D396,092 S \* 7/1998 Haug et al. .... D23/238  
D517,652 S \* 3/2006 Egli et al. .... D23/238

\* cited by examiner

*Primary Examiner*—Louis S. Zarfes

*Assistant Examiner*—Gregory Andoll

(74) *Attorney, Agent, or Firm*—Kwadjo Adusei-Poku;  
Lloyd D. Doigan

(57) **CLAIM**

The ornamental design for a faucet handle, as shown and described.

**DESCRIPTION**

FIG. 1 is a front perspective view of a faucet handle showing our design;

FIG. 2 is a top plan view thereof;

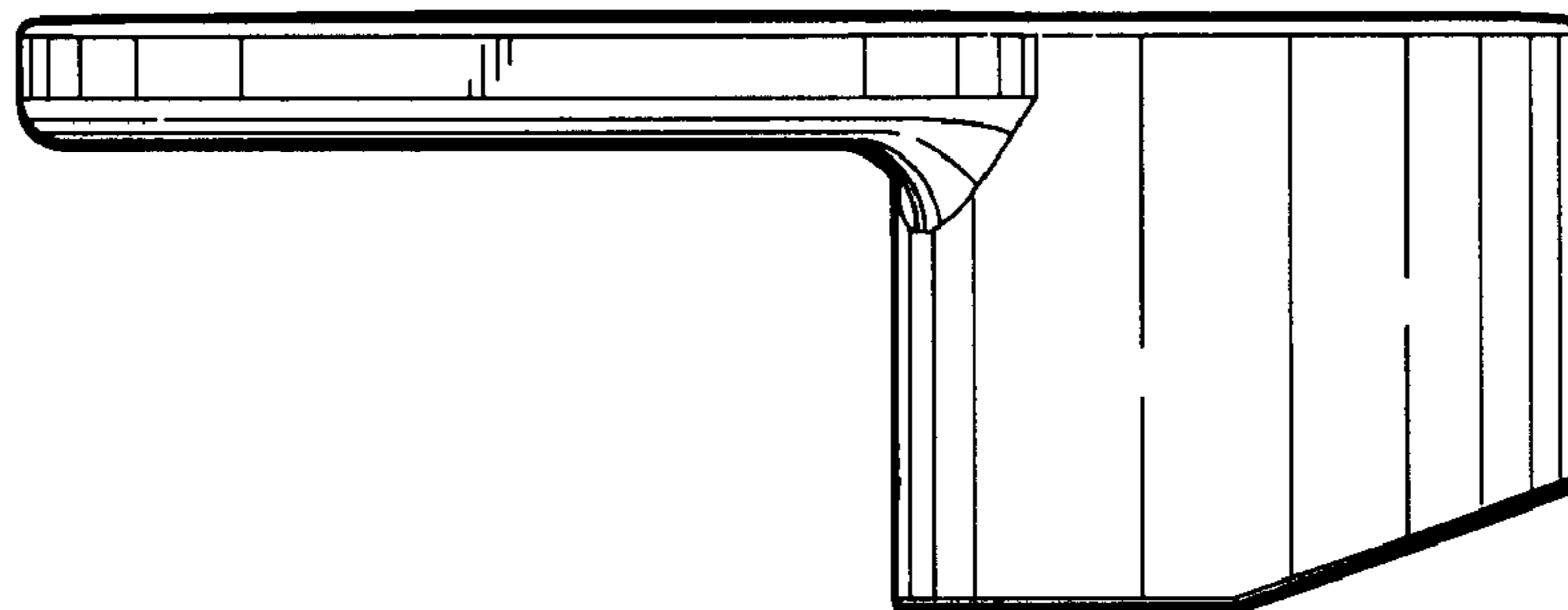
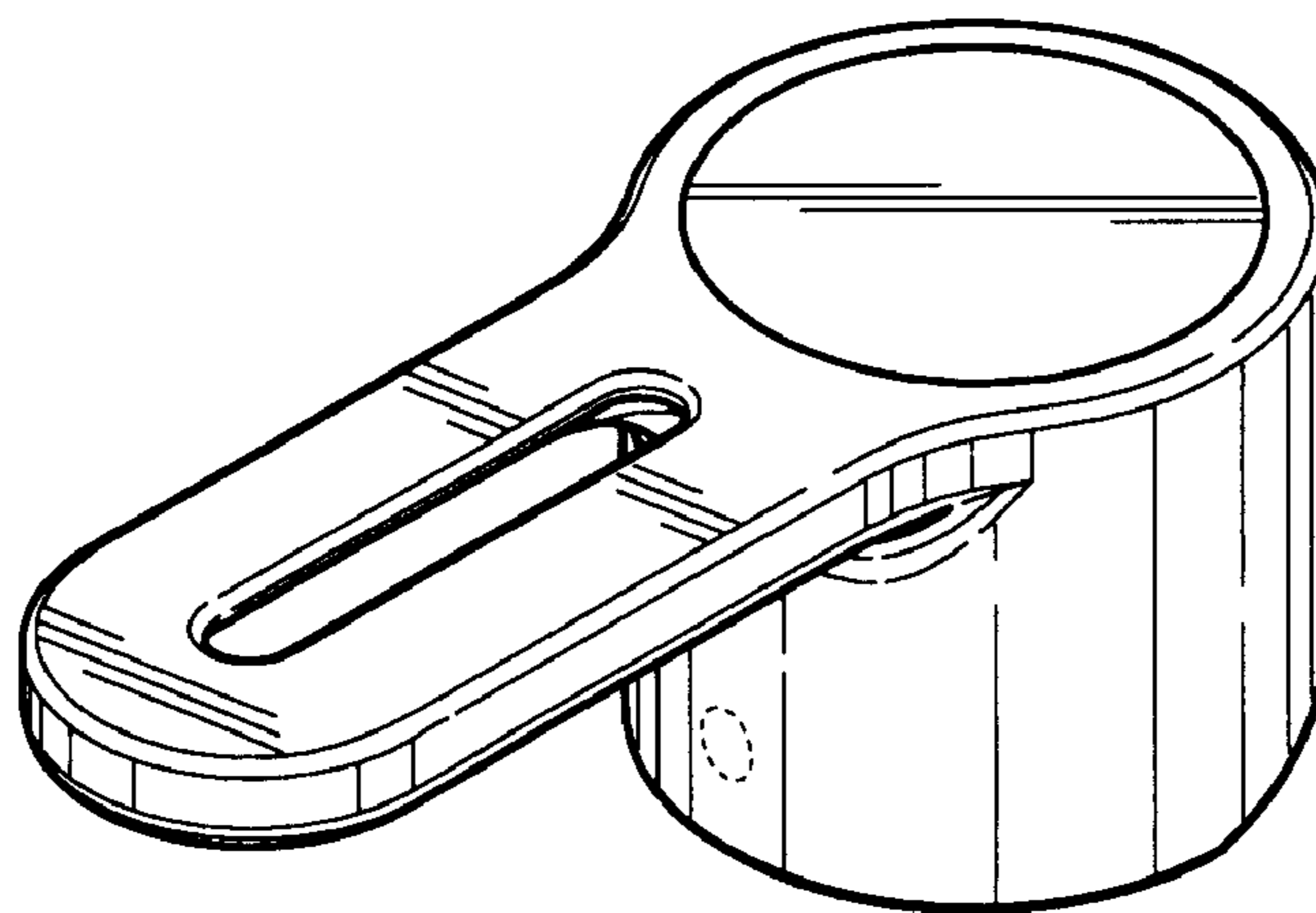
FIG. 3 is a front elevational view thereof;

FIG. 4 is a left side elevational view thereof; the right side elevation view being a mirror image thereof; and,

FIG. 5 is a rear elevational view thereof.

The broken lines in the Figures are for illustrative purposes only and form no part of the claimed design.

**1 Claim, 1 Drawing Sheet**



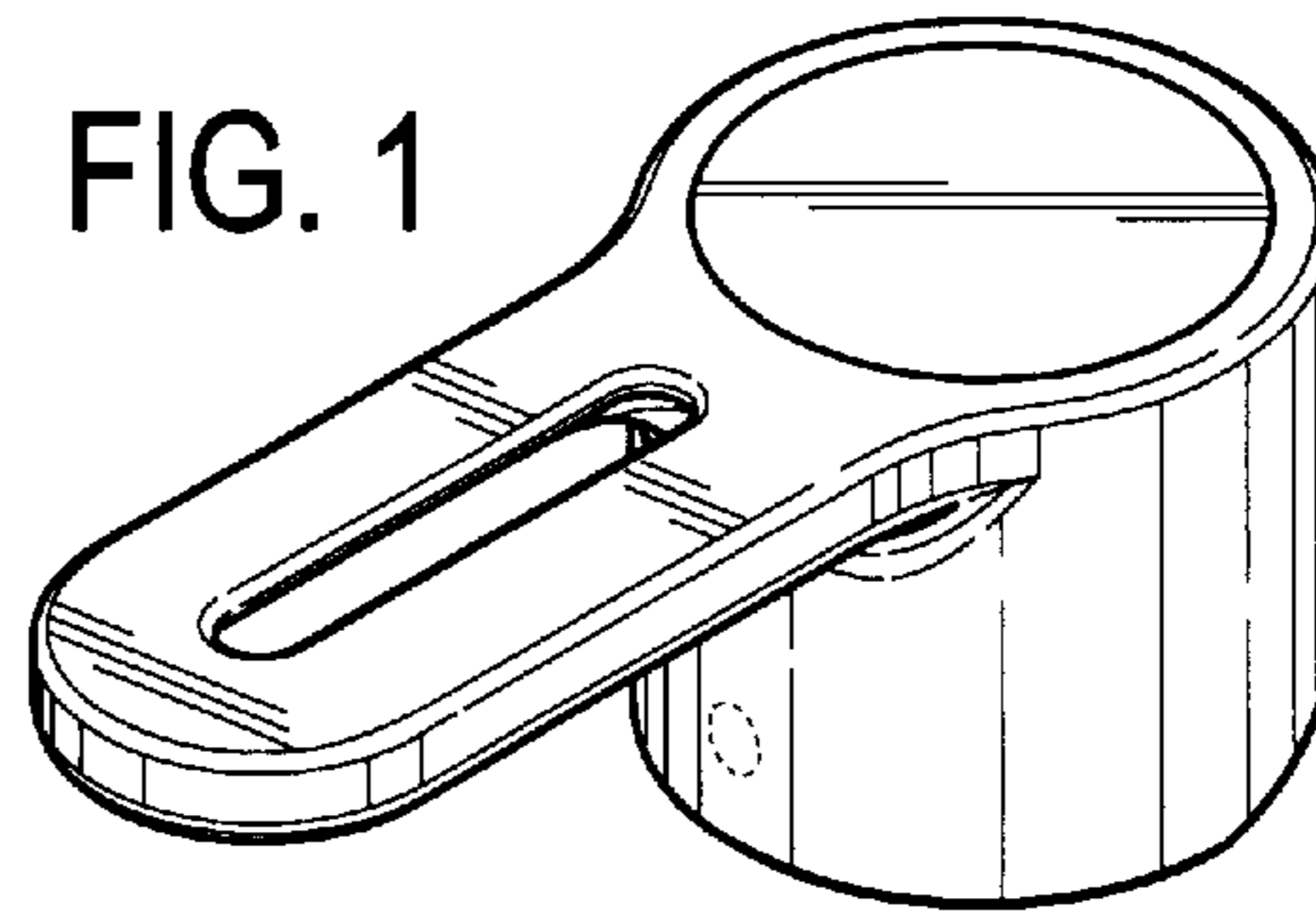


FIG. 1

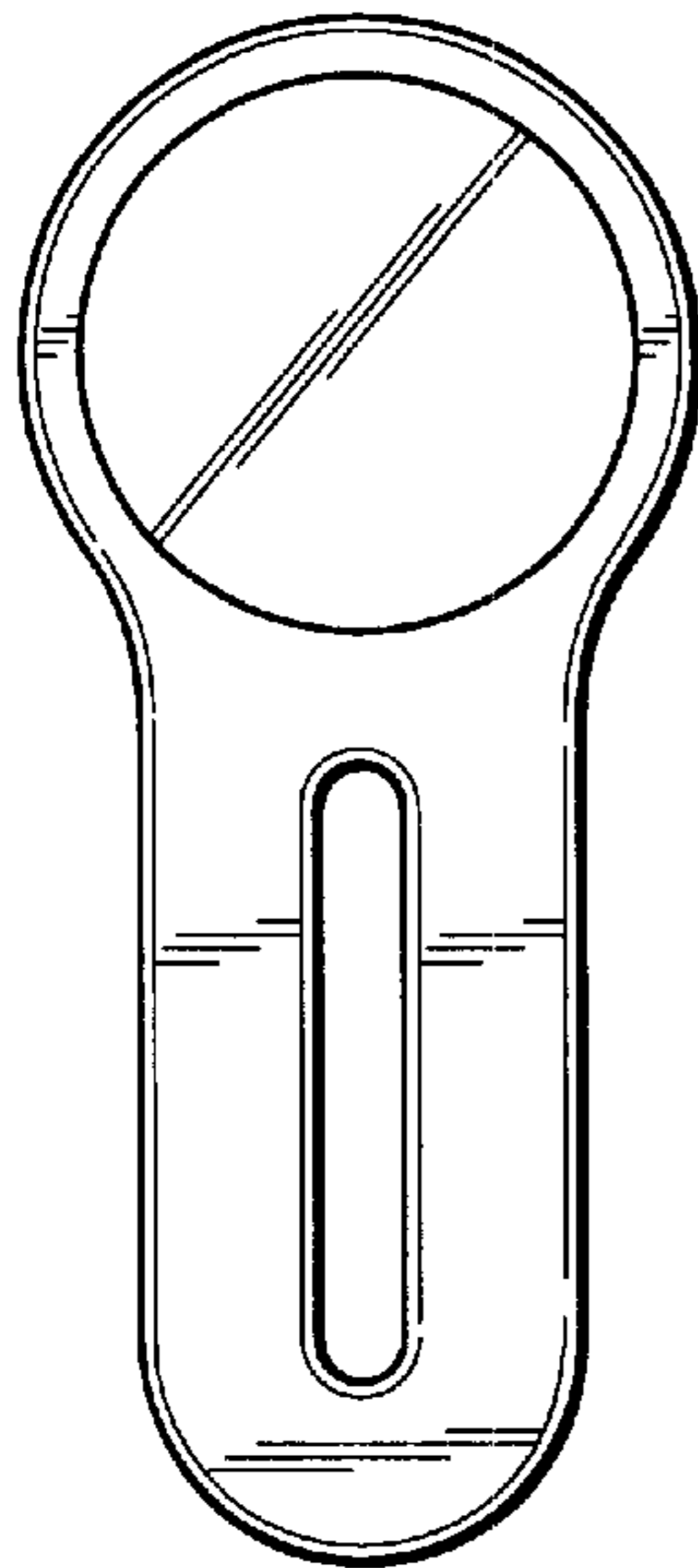


FIG. 2

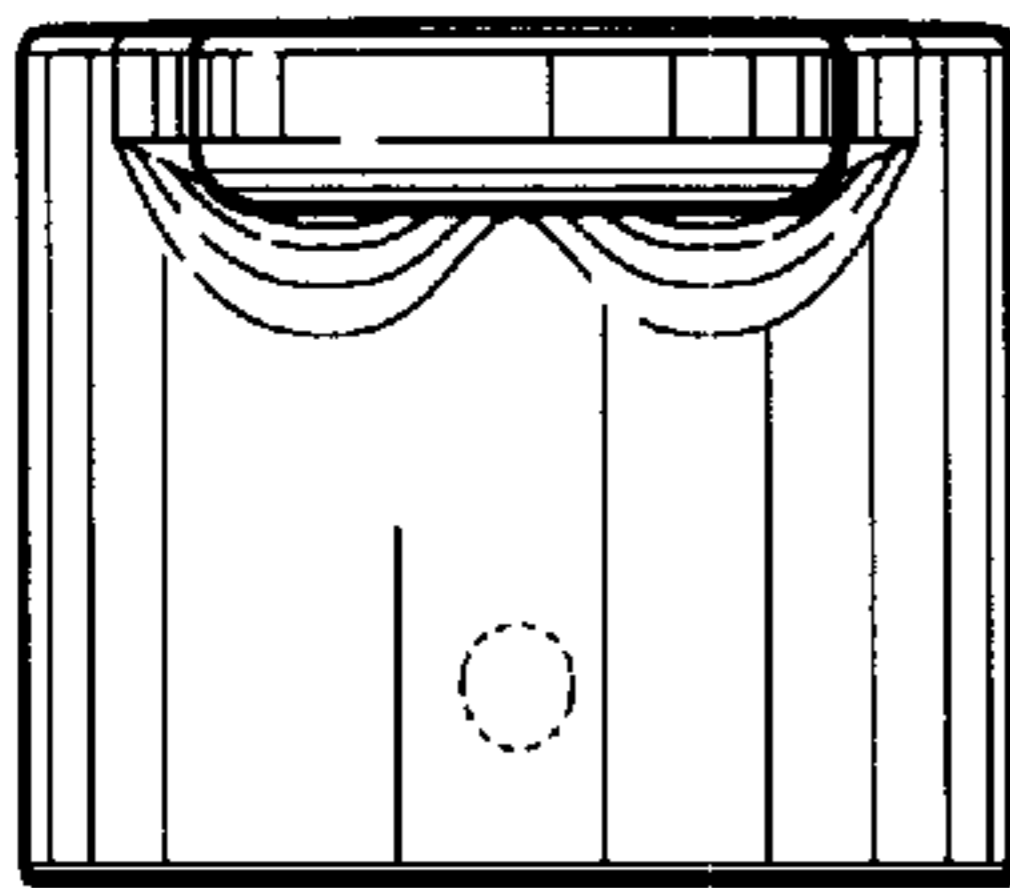


FIG. 3

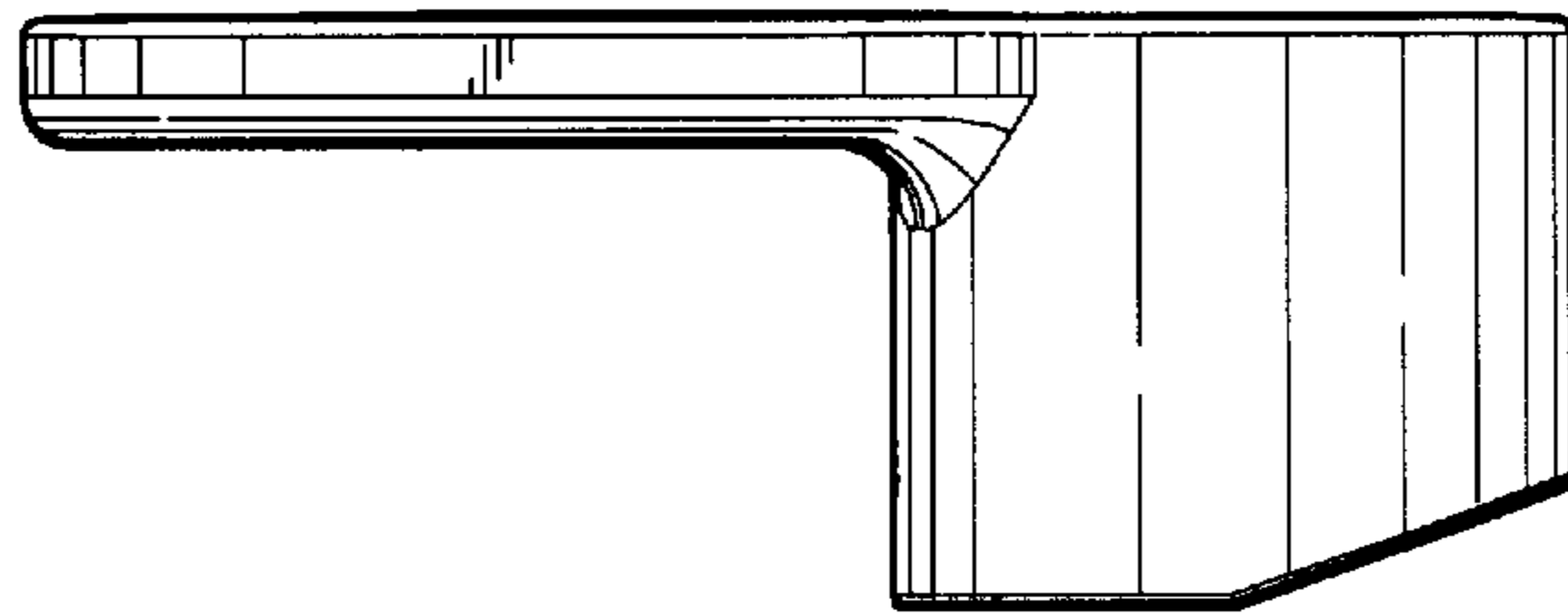


FIG. 4

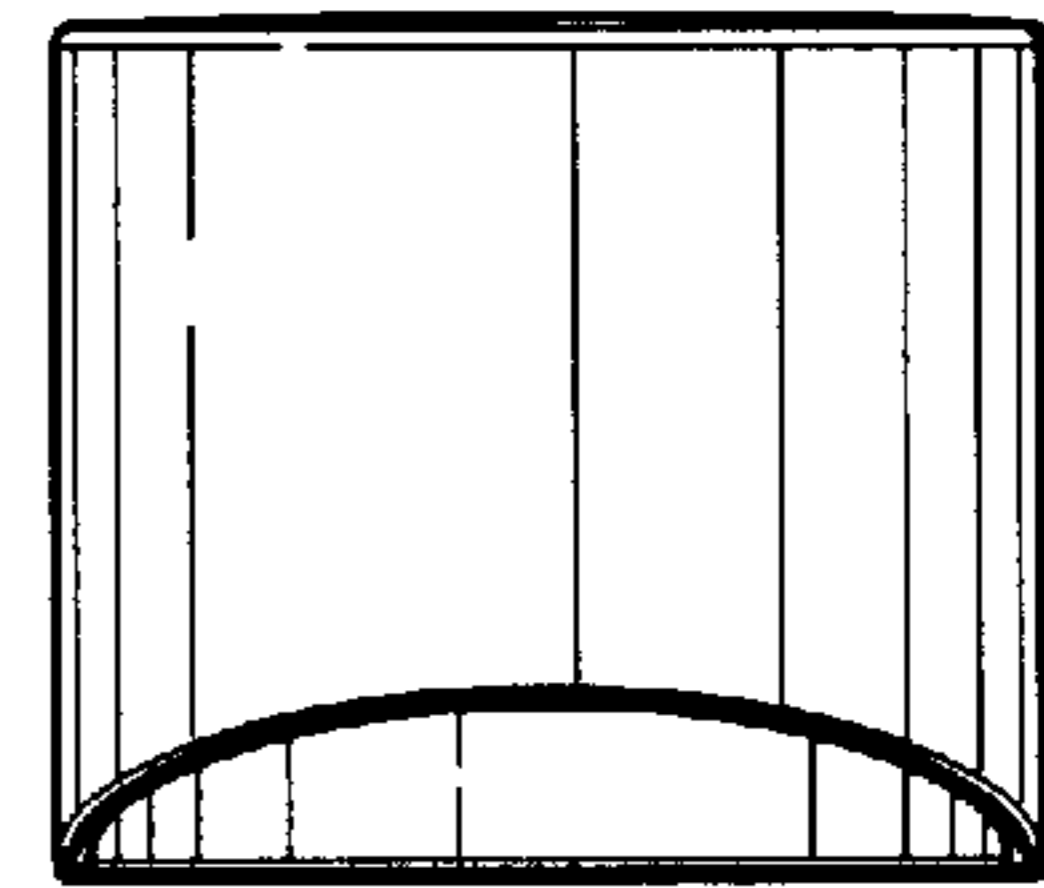


FIG. 5