

US00D532084S

(12) **United States Design Patent**  
**Toyohara**

(10) **Patent No.:** **US D532,084 S**

(45) **Date of Patent:** **\*\* Nov. 14, 2006**

(54) **FAUCET**

D478,370 S \* 8/2003 Ouyoung ..... D23/238  
D513,060 S \* 12/2005 Ouyoung ..... D23/238  
D517,169 S \* 3/2006 Ogata et al. .... D23/238

(75) Inventor: **Atsushi Toyohara**, Kitakyushu (JP)

\* cited by examiner

(73) Assignee: **Toto Ltd.**, Kitakyushu (JP)

*Primary Examiner*—Louis S. Zarfes

(\*\*) Term: **14 Years**

*Assistant Examiner*—Gregory Andoll

(21) Appl. No.: **29/257,004**

(74) *Attorney, Agent, or Firm*—Birch, Stewart, Kolasch & Birch, LLP

(22) Filed: **Mar. 29, 2006**

(57) **CLAIM**

(30) **Foreign Application Priority Data**

The ornamental design for a faucet, as shown and described.

Jan. 27, 2006 (JP) ..... 2006-001697

**DESCRIPTION**

(51) **LOC (8) Cl.** ..... **23-01**

FIG. 1 is a perspective view of the top, front and right side of a faucet showing my new design;

(52) **U.S. Cl.** ..... **D23/238**

FIG. 2 is a front view thereof;

(58) **Field of Classification Search** ..... D23/238–257;  
4/675–678; 137/801

FIG. 3 is a rear view thereof;

See application file for complete search history.

FIG. 4 is a left side view thereof;

FIG. 5 is a right side view thereof;

(56) **References Cited**

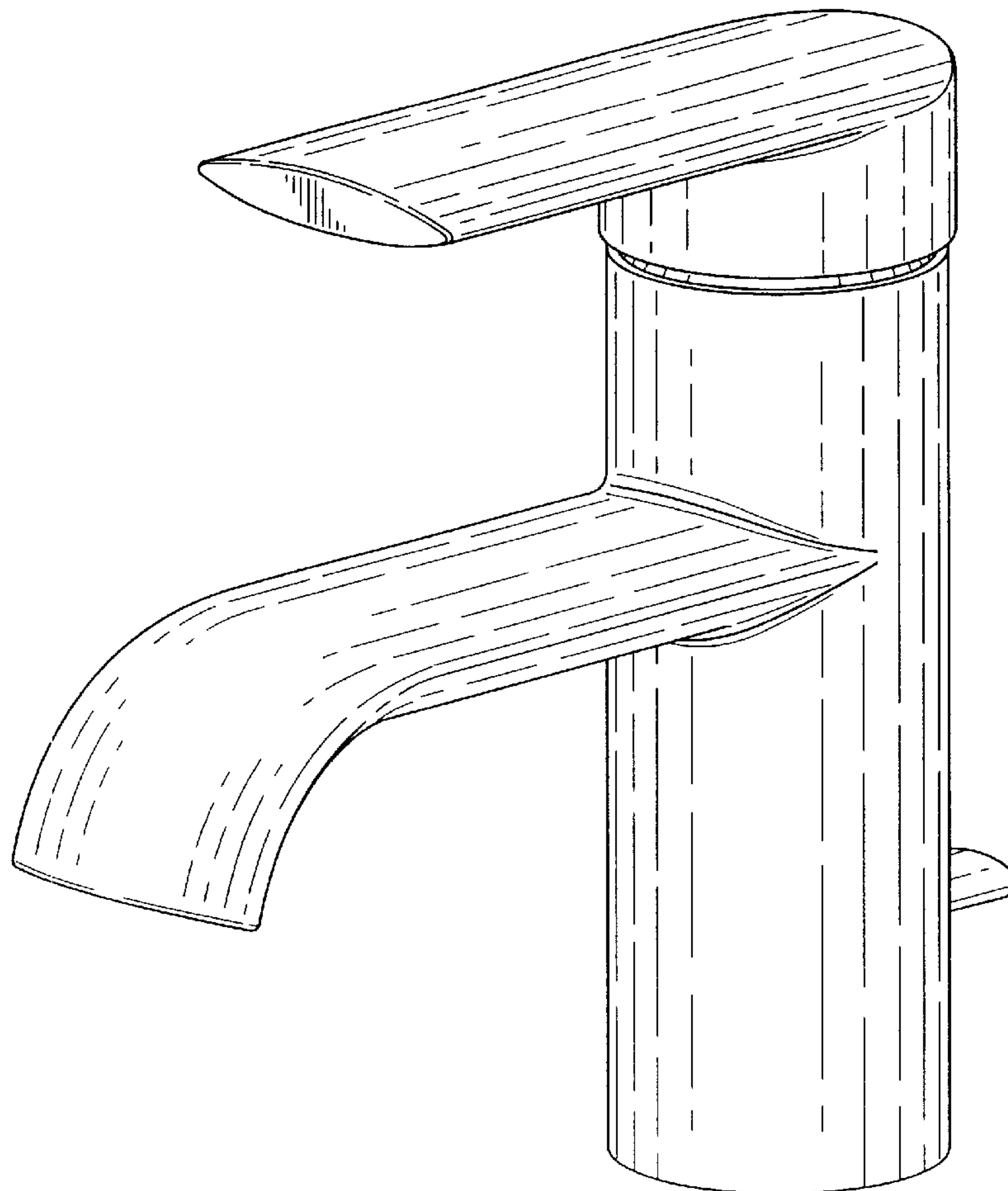
FIG. 6 is a top plan view thereof; and,

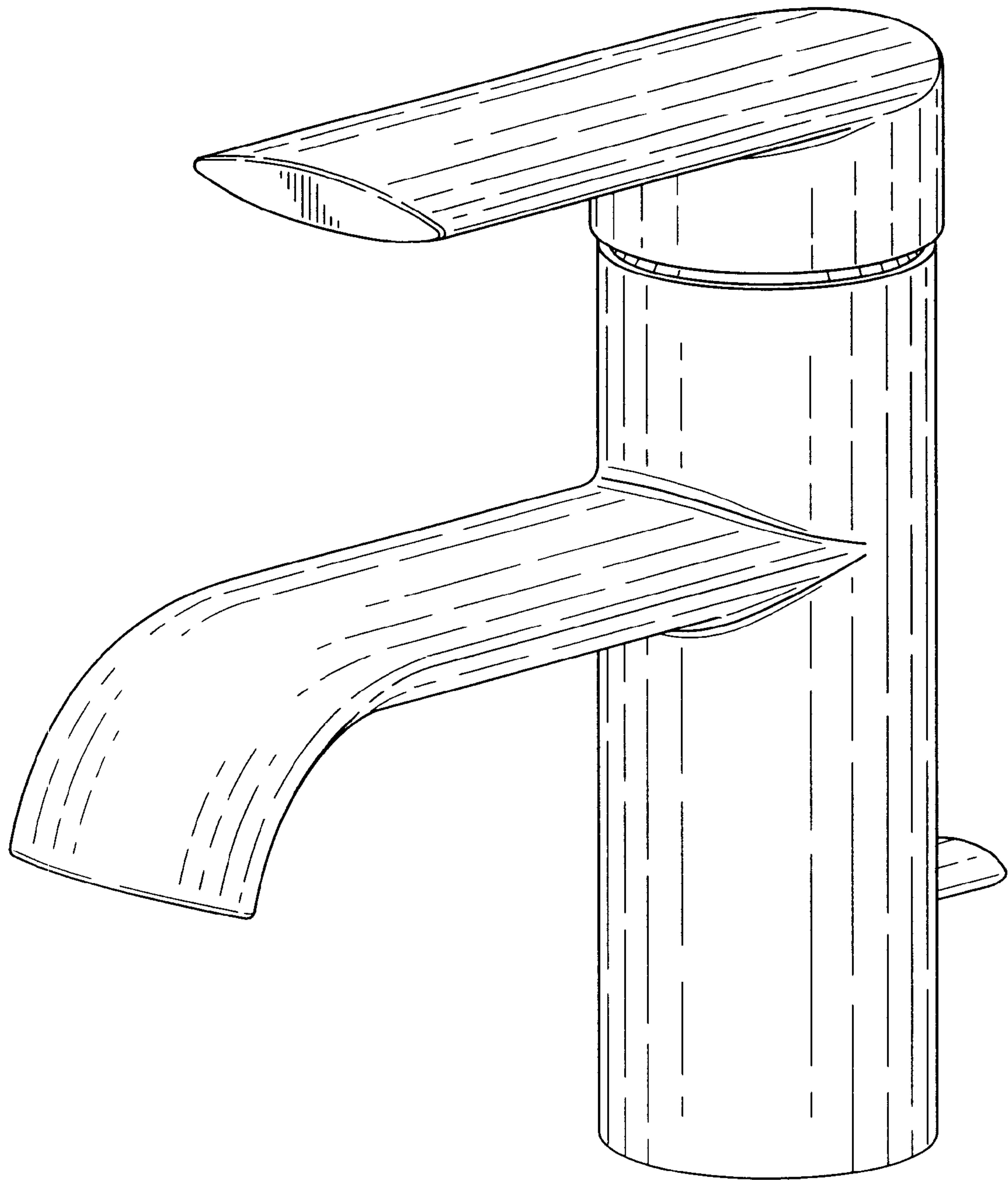
**U.S. PATENT DOCUMENTS**

FIG. 7 is a bottom view thereof.

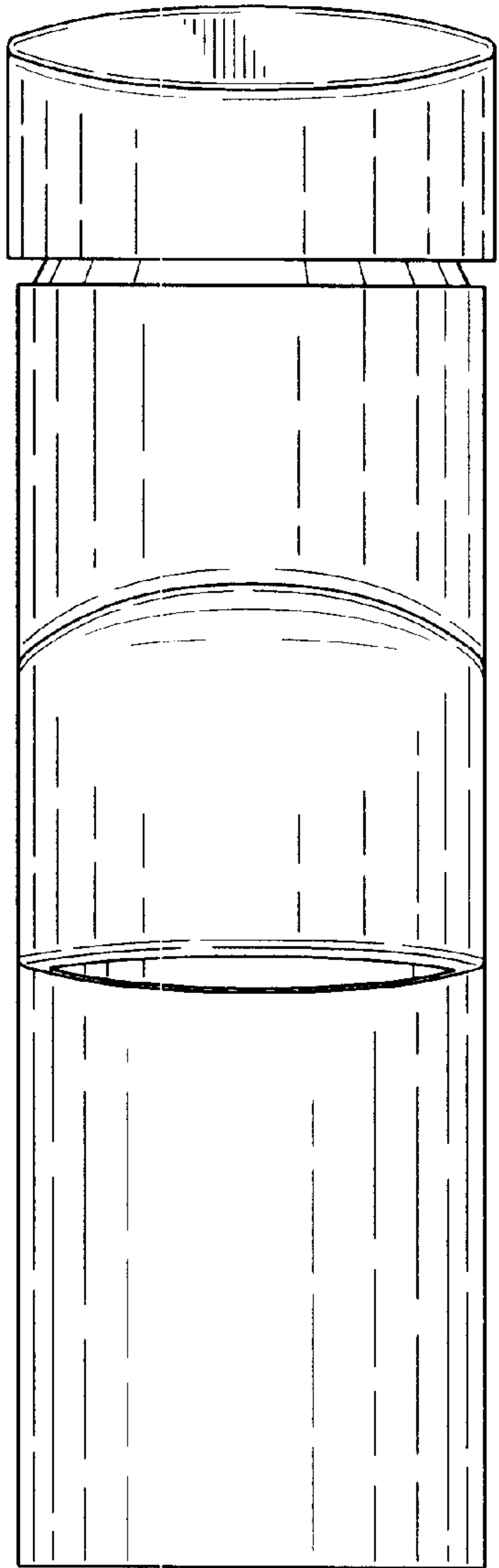
D416,077 S \* 11/1999 Fleischmann ..... D23/238

**1 Claim, 5 Drawing Sheets**

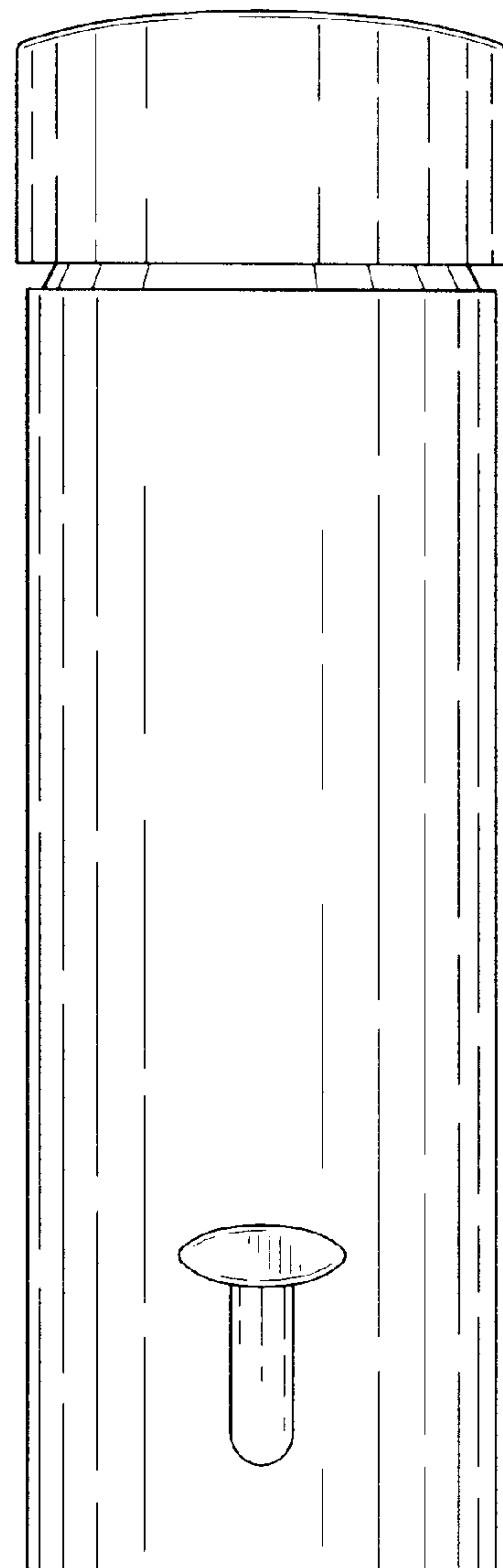




*FIG. 1*



*FIG. 2*



*FIG. 3*

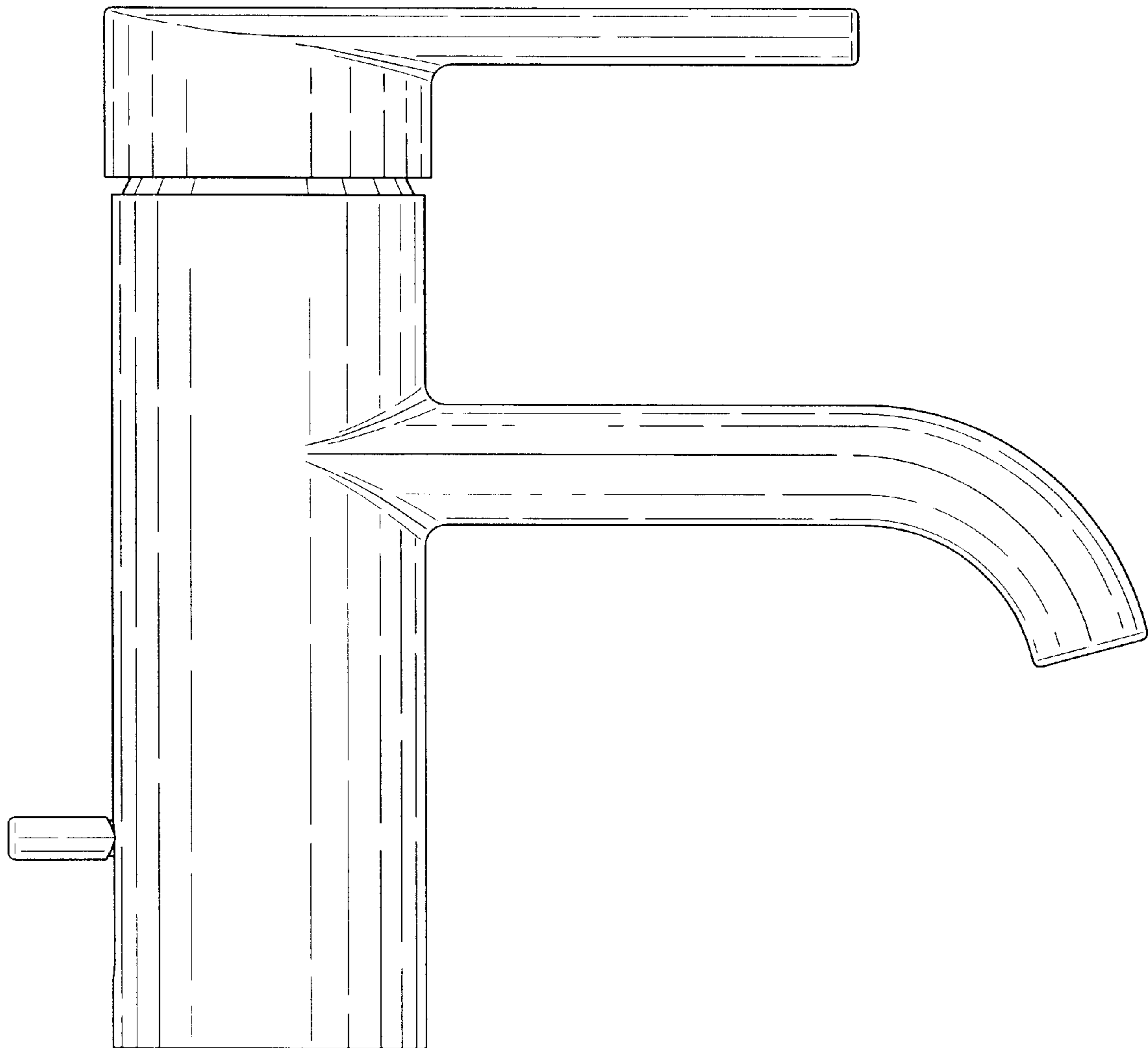
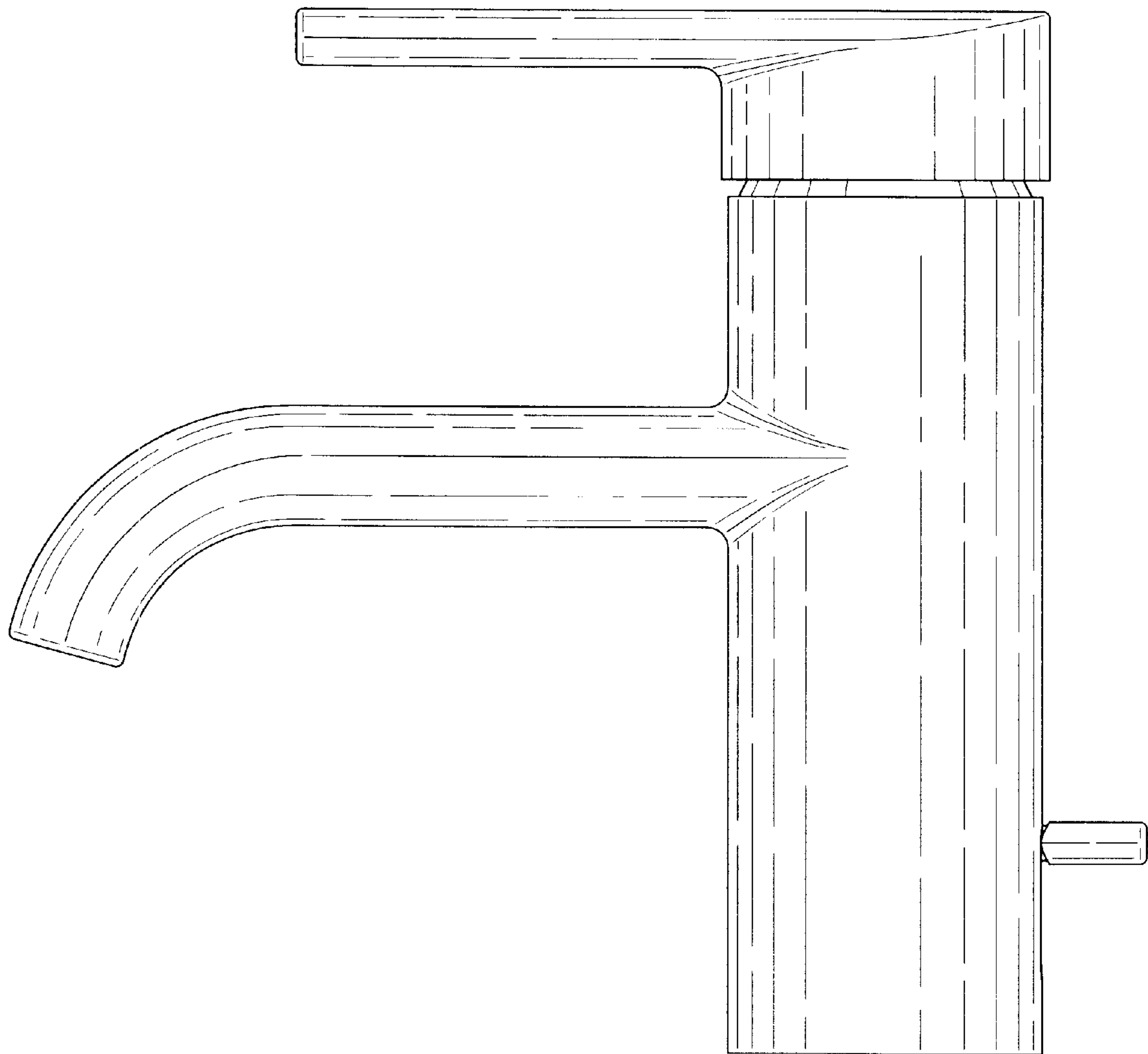


FIG. 4



*FIG. 5*

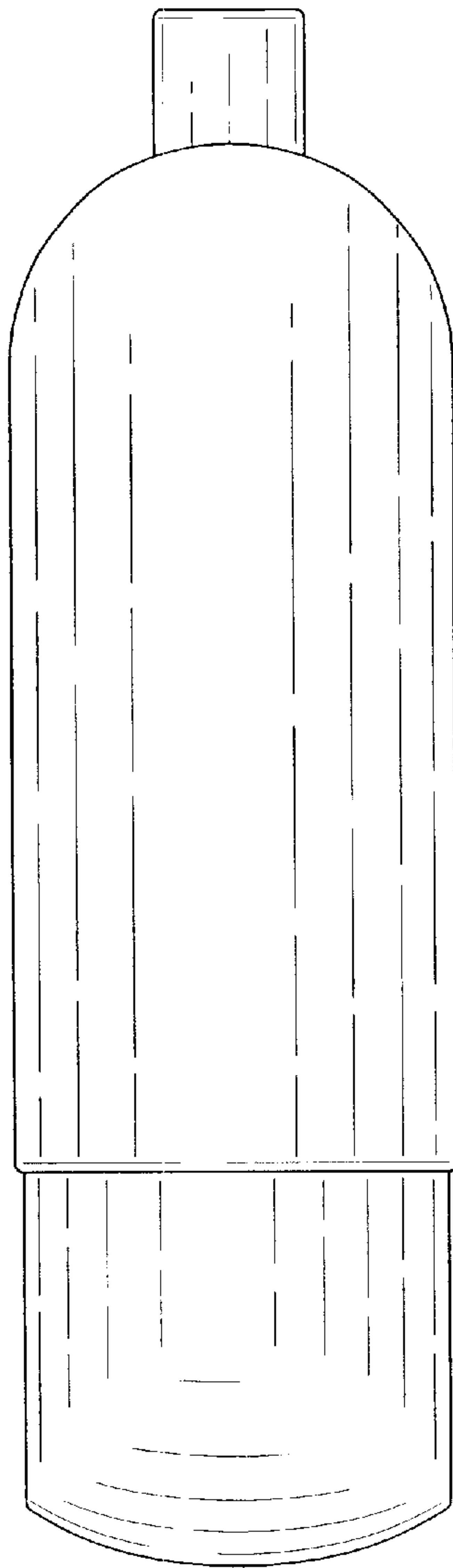


FIG. 6

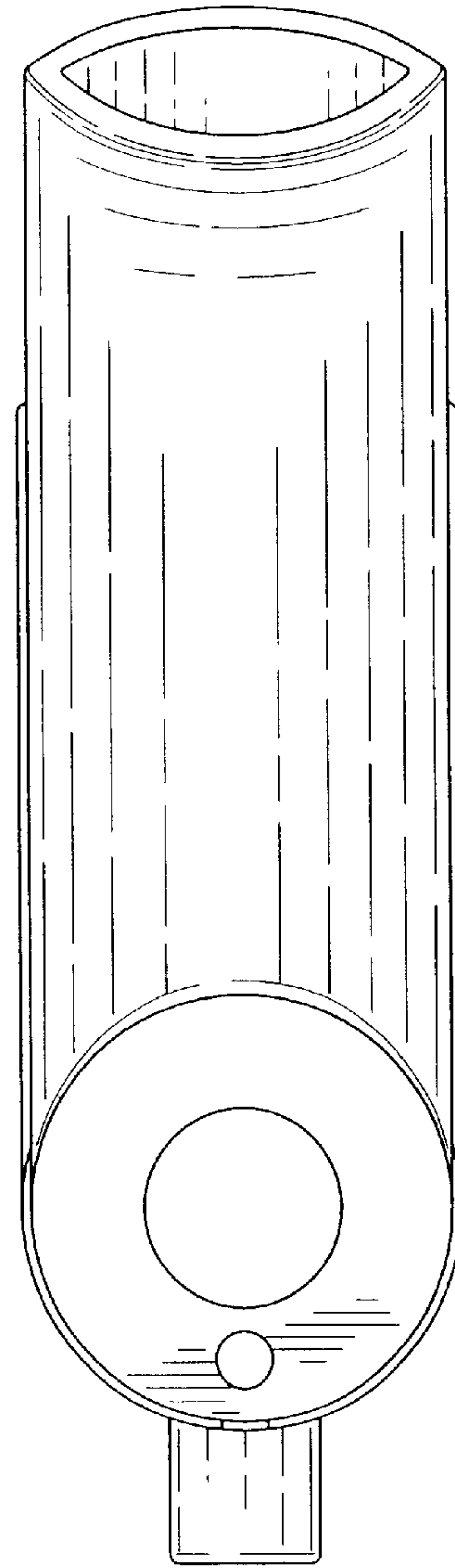


FIG. 7