



US00D532083S

(12) **United States Design Patent**
Green

(10) **Patent No.:** **US D532,083 S**

(45) **Date of Patent:** **** Nov. 14, 2006**

(54) **FAUCET HUB**

(75) Inventor: **Eric Green**, St. Joseph, MI (US)

(73) Assignee: **Moen Incorporated**, North Olmsted, OH (US)

(**) Term: **14 Years**

(21) Appl. No.: **29/228,856**

(22) Filed: **Apr. 29, 2005**

(51) **LOC (8) Cl.** **23-01**

(52) **U.S. Cl.** **D23/238; D23/255; D23/249**

(58) **Field of Classification Search** **D23/238-257; 4/675-678; 137/801**

See application file for complete search history.

(56) **References Cited**

U.S. PATENT DOCUMENTS

28,234 A	5/1860	Brewster
809,720 A	1/1906	Mueller
853,726 A	5/1907	Newton
885,347 A	4/1908	Kenly
D76,713 S	10/1928	Smith
D76,714 S	10/1928	Smith
D76,827 S	11/1928	Smith
D235,099 S	5/1975	Doman
D263,991 S	4/1982	Fleischmann et al.
D287,269 S	12/1986	Piesco
D287,395 S	12/1986	Piesco
D318,099 S	7/1991	Reid et al.
D349,326 S	8/1994	Bollenbacher
D349,331 S	8/1994	Bollenbacher
D387,130 S	12/1997	Warshawsky
D417,490 S	12/1999	Formgren
D464,403 S	10/2002	Haug et al.

D464,714 S	10/2002	Lord	
D465,010 S	10/2002	Lord	
D465,559 S	11/2002	Chen	
D465,834 S	11/2002	Singtoroj	
D478,371 S	8/2003	Ouyoung	
D487,499 S	3/2004	Zhao	
D495,033 S	8/2004	Berman	
D515,181 S	* 2/2006	Lun et al. D23/241

* cited by examiner

Primary Examiner—Louis S. Zarfes

Assistant Examiner—Gregory Andoll

(74) *Attorney, Agent, or Firm*—Calfee, Halter & Griswold LLP

(57) **CLAIM**

The ornamental design for a faucet hub, as shown and described.

DESCRIPTION

FIG. 1 is a perspective view of a faucet hub of the new design;

FIG. 2 is a front elevational view of the faucet hub of FIG. 1;

FIG. 3 is a rear elevational view of the faucet hub of FIG. 1;

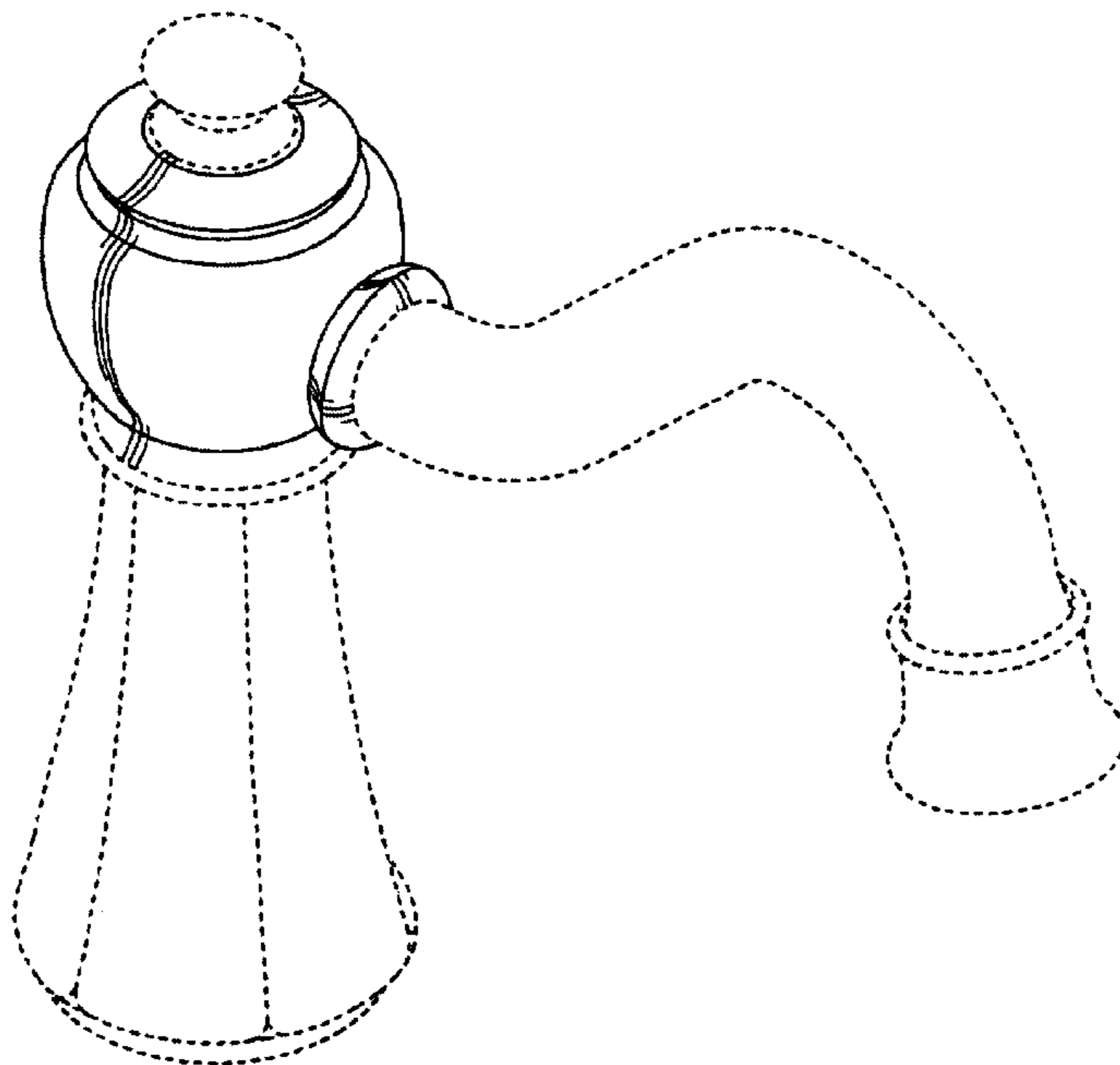
FIG. 4 is a left side elevational view of the faucet hub of FIG. 1;

FIG. 5 is a right side elevational view of the faucet hub of FIG. 1;

FIG. 6 is a top plan view of the faucet hub of FIG. 1; and, FIG. 7 is a bottom plan view of the faucet hub of FIG. 1.

The portions of the Figures shown in broken lines are not part of the claimed design but are for illustration only.

1 Claim, 4 Drawing Sheets



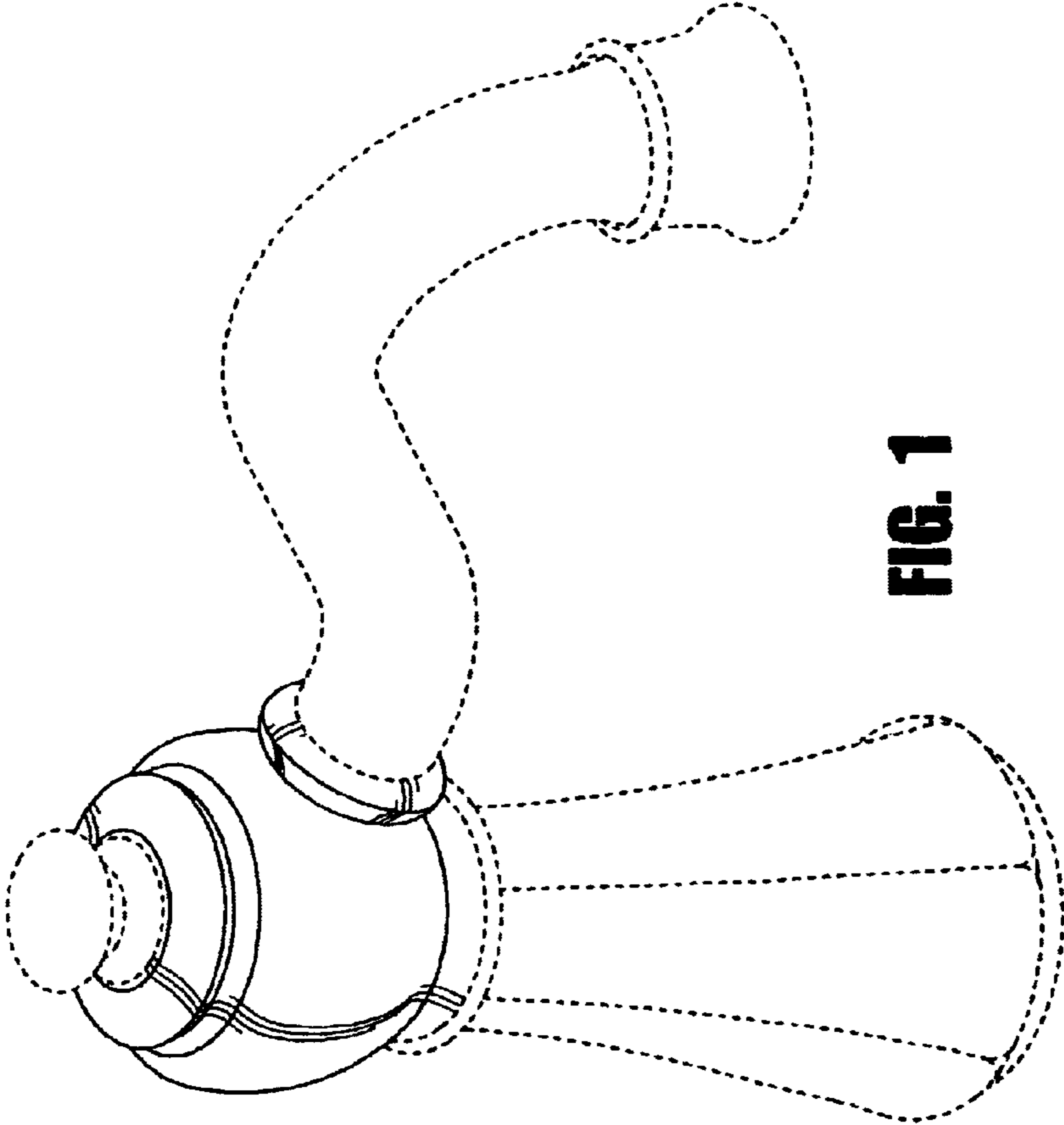


FIG. 1

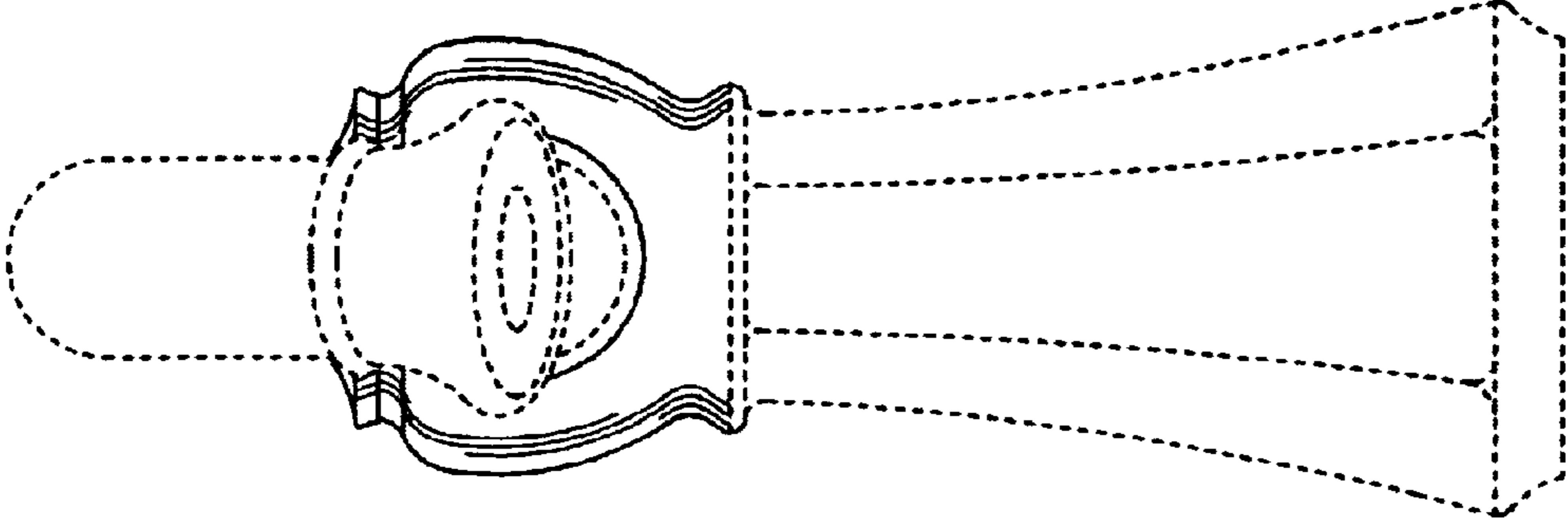


FIG. 2

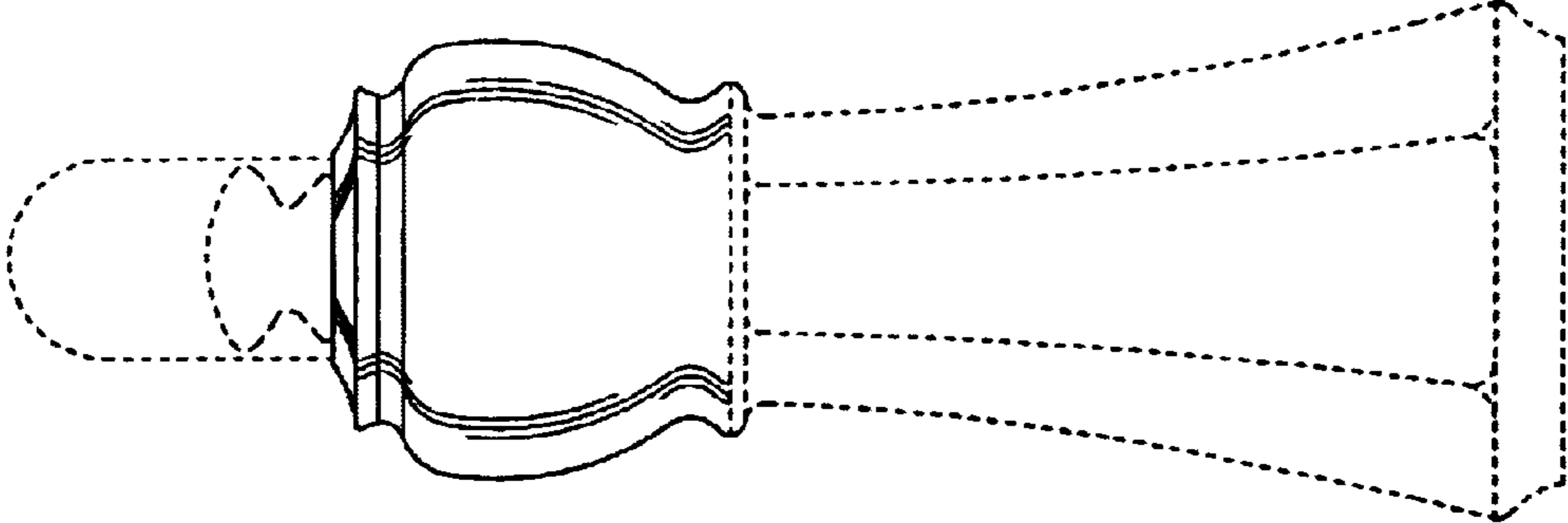


FIG. 3

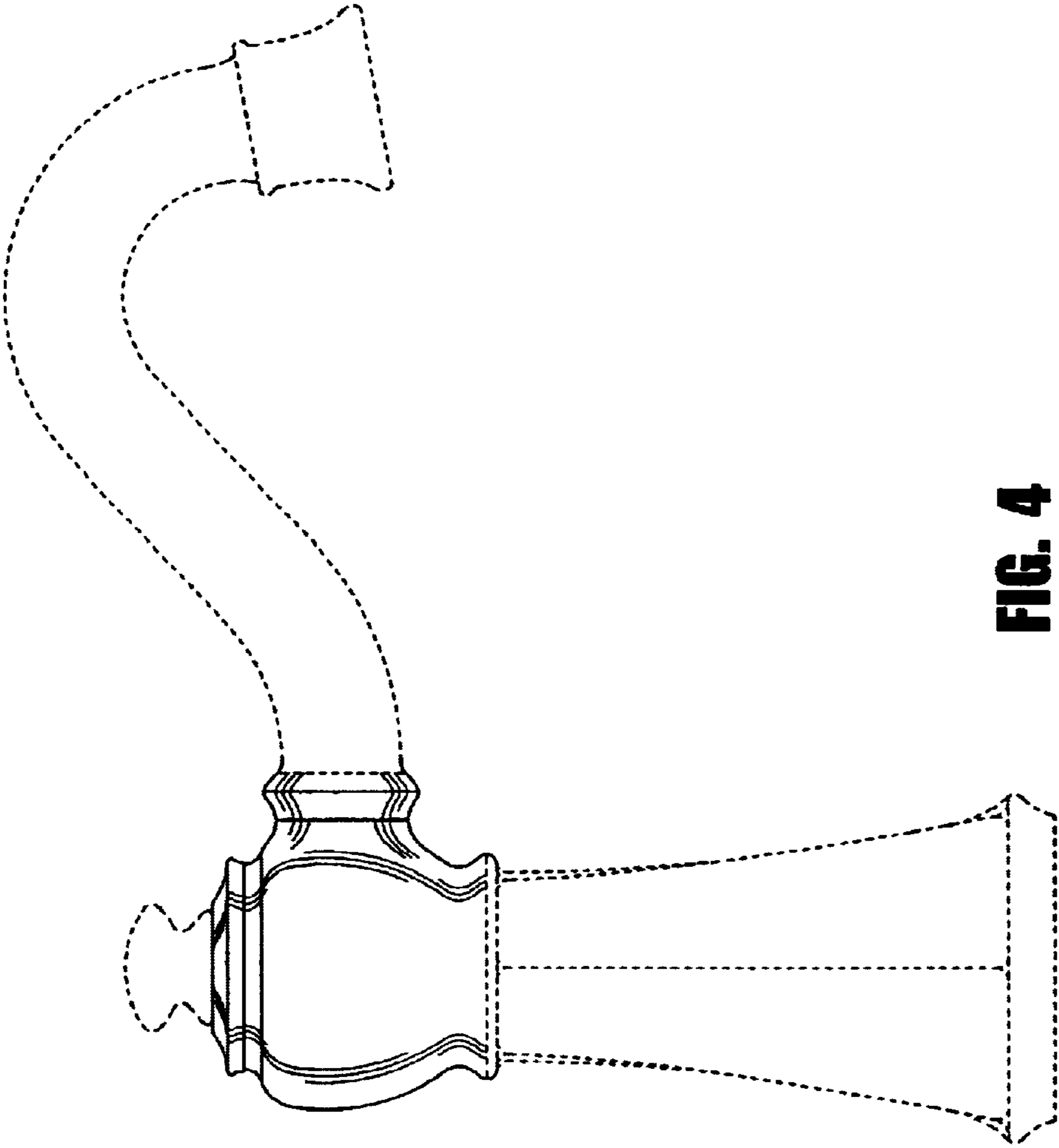


FIG. 4

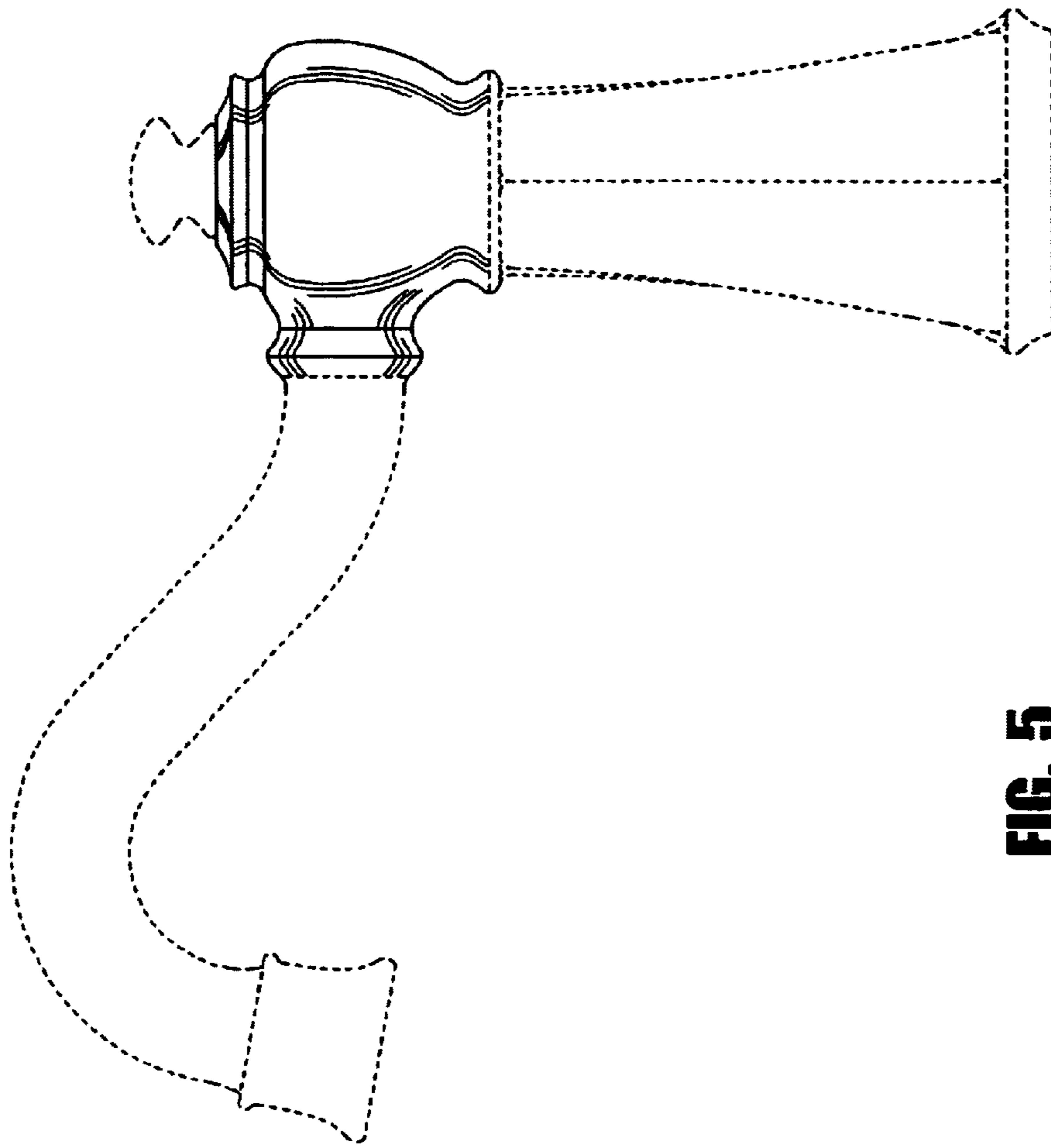


FIG. 5

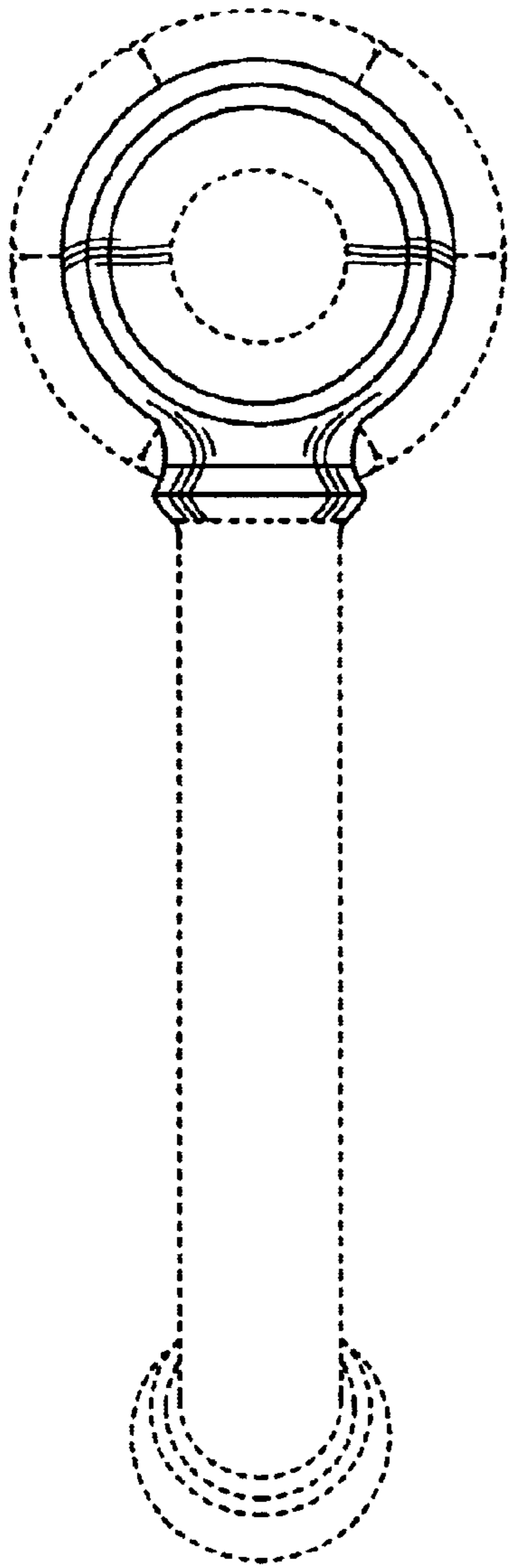


FIG. 6

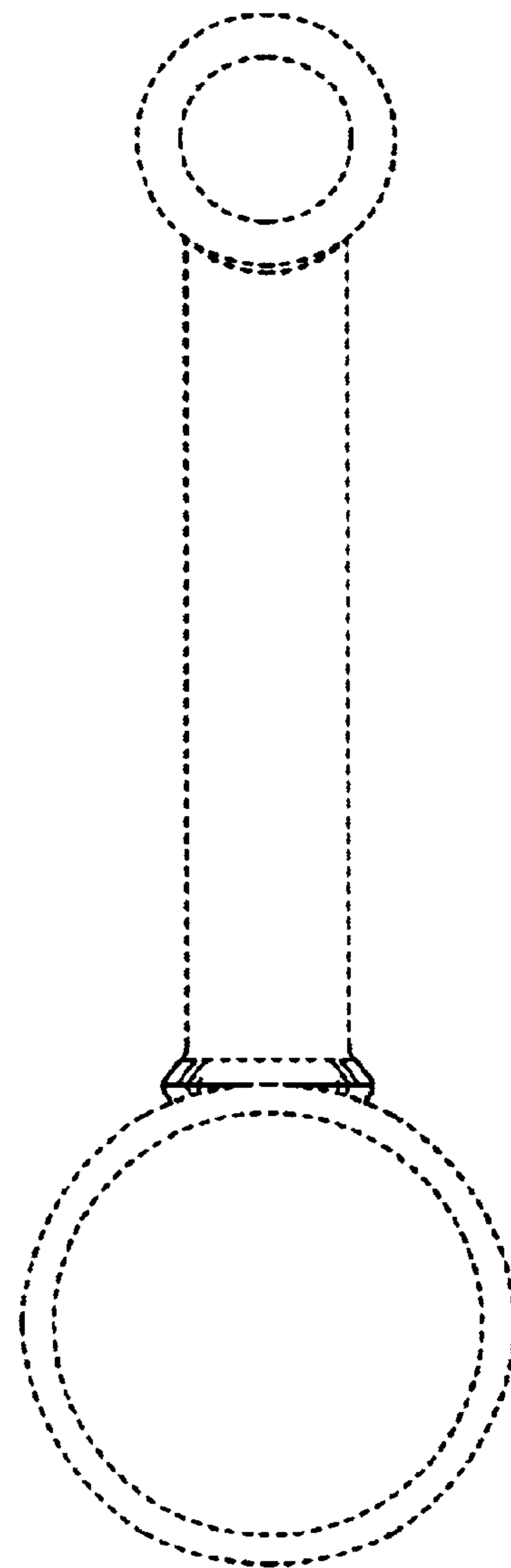


FIG. 7