



US00D532080S

(12) **United States Design Patent**
Kobayashi et al.

(10) **Patent No.:** **US D532,080 S**

(45) **Date of Patent:** **** Nov. 14, 2006**

(54) **EXPANSION VALVE**

(75) Inventors: **Kazuto Kobayashi**, Tokyo (JP);
Kazuhiko Watanabe, Tokyo (JP)

(73) Assignee: **Fujikoki Corporation**, Tokyo (JP)

(**) Term: **14 Years**

(21) Appl. No.: **29/218,921**

(22) Filed: **Dec. 9, 2004**

(51) **LOC (8) Cl.** **23-01**

(52) **U.S. Cl.** **D23/233**

(58) **Field of Classification Search** D23/233-237,
D23/244-249; 62/222-225, 197, 115, 504,
62/527, 210; 137/625.48; 251/14, 64; 236/63-64,
236/66, 92 B; 285/189, 208, 211, 368
See application file for complete search history.

(56) **References Cited**

U.S. PATENT DOCUMENTS

- 4,468,054 A * 8/1984 Orth 285/124.3
- D494,657 S * 8/2004 Kobayashi et al. D23/233
- D494,658 S * 8/2004 Kobayashi et al. D23/233
- D502,252 S * 2/2005 Fukuda et al. D23/233

- D504,714 S * 5/2005 Fukuda et al. D23/233
- 2001/0018830 A1 * 9/2001 Fukuda et al. 62/210
- 2004/0026524 A1 * 2/2004 Yano et al. 236/92 B

* cited by examiner

Primary Examiner—Ian Simmons

Assistant Examiner—Maurice Stevens

(74) *Attorney, Agent, or Firm*—Baker Botts L.L.P.

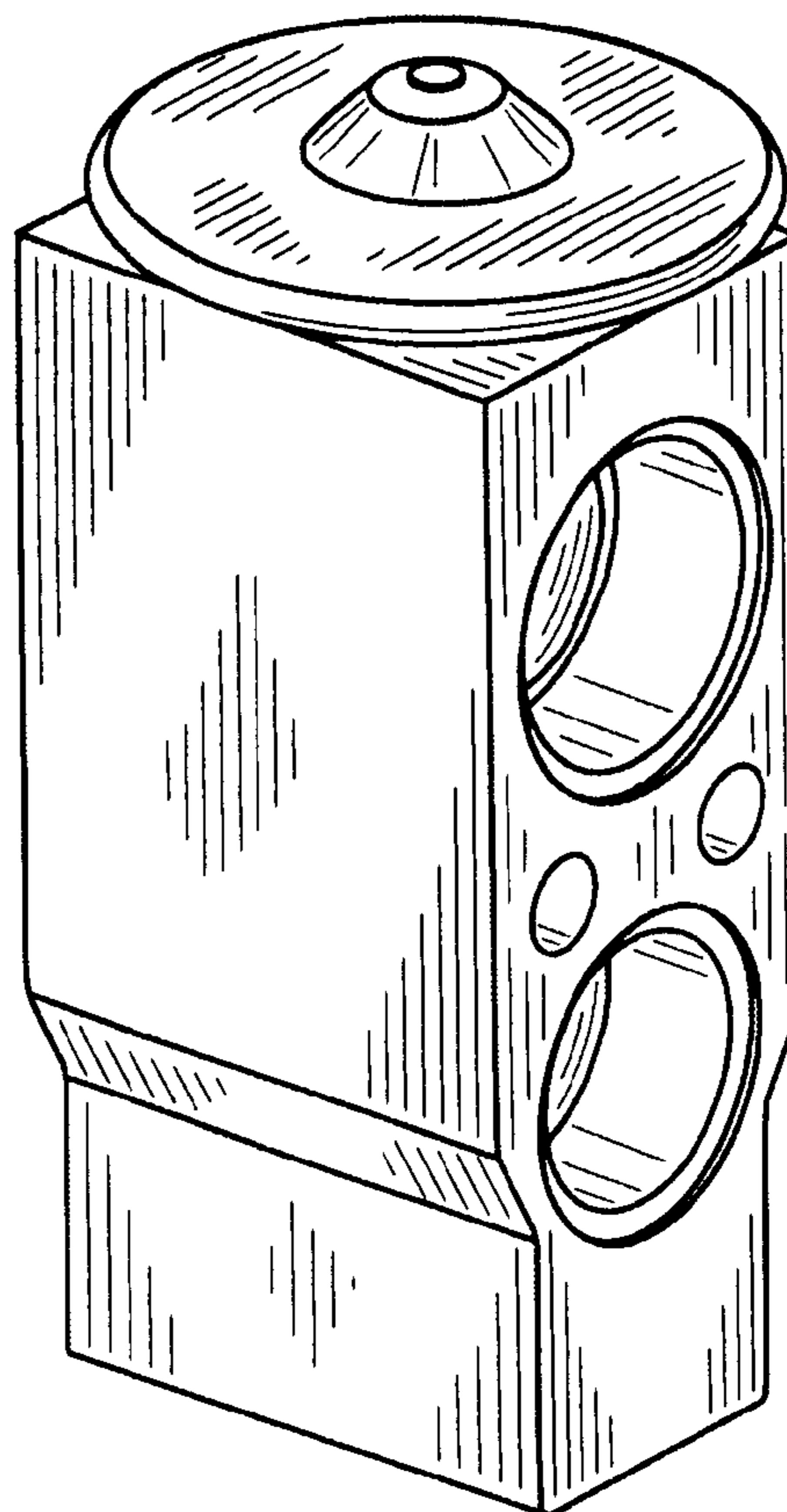
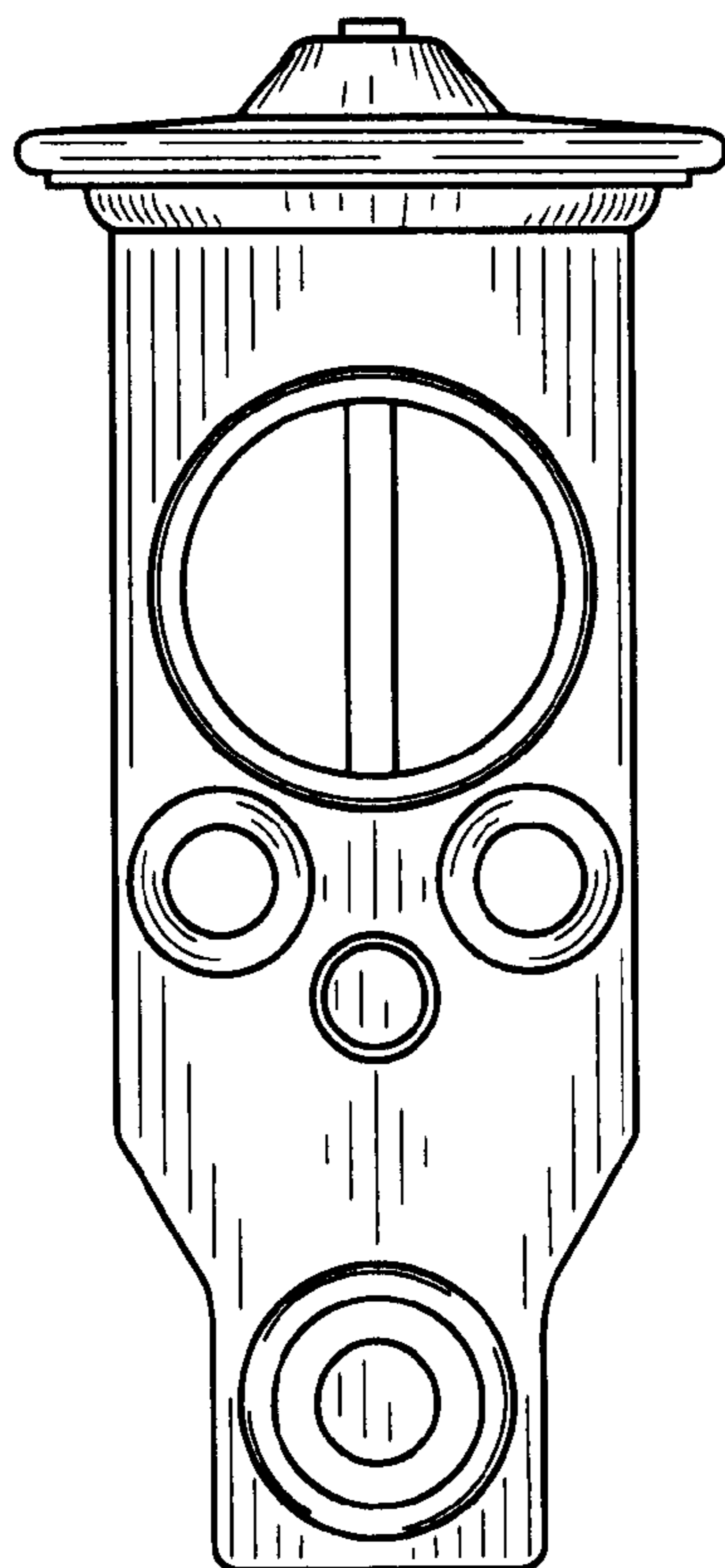
(57) **CLAIM**

The ornamental design of an expansion valve, as shown and described.

DESCRIPTION

FIG. 1 is a front elevational view of a first embodiment of an expansion valve showing my new design, a rear elevational view being symmetrical to the front elevational view; FIG. 2 is a right view of the expansion valve of FIG. 1; FIG. 3 is a left side view of the expansion valve of FIG. 1; FIG. 4 is a top plan view of the expansion valve of FIG. 1; FIG. 5 is a bottom view of the expansion valve of FIG. 1; FIG. 6 is a perspective view of the expansion valve of FIG. 1; and, FIG. 7 is a bottom perspective view of the expansion valve of FIG. 1.

1 Claim, 2 Drawing Sheets



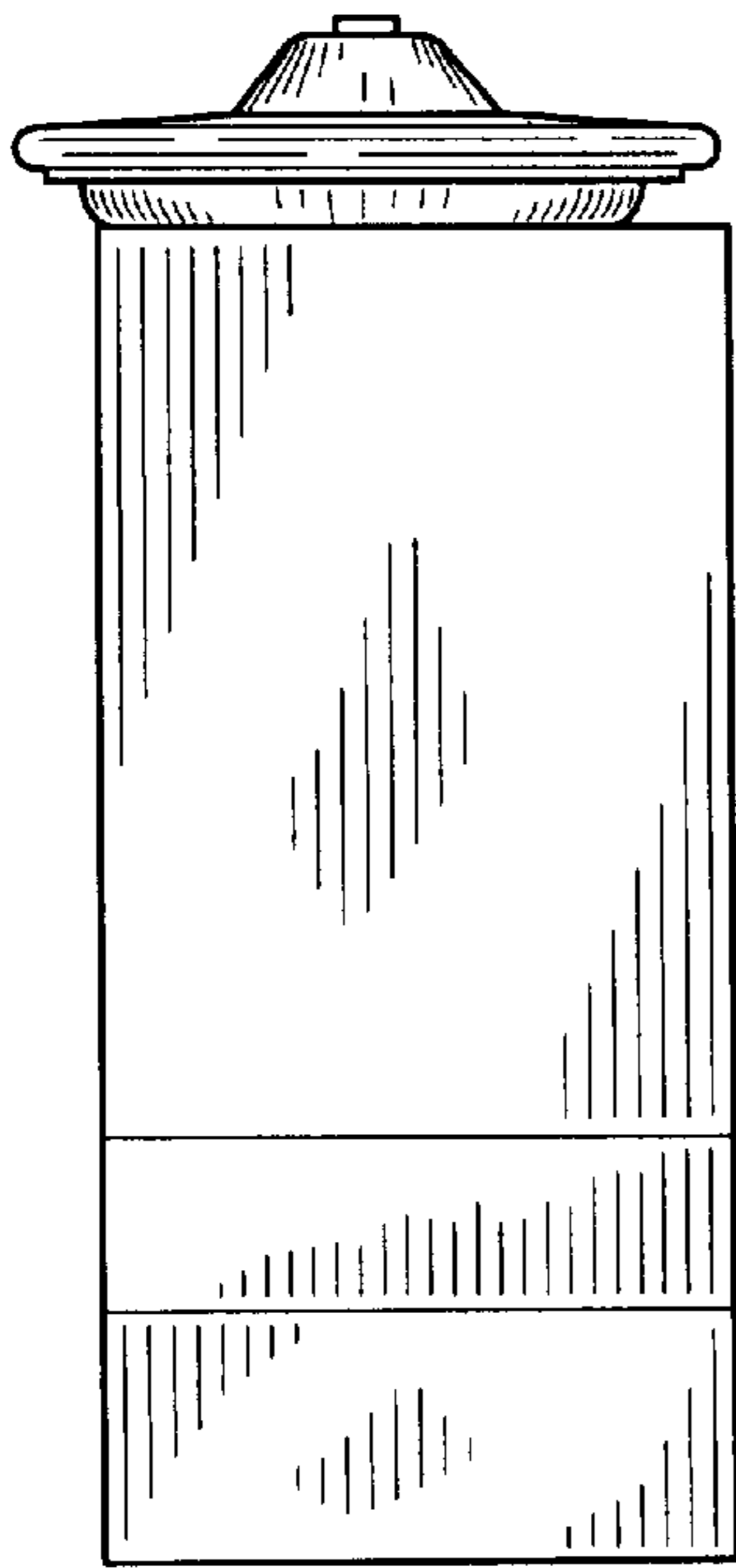


FIG. 1

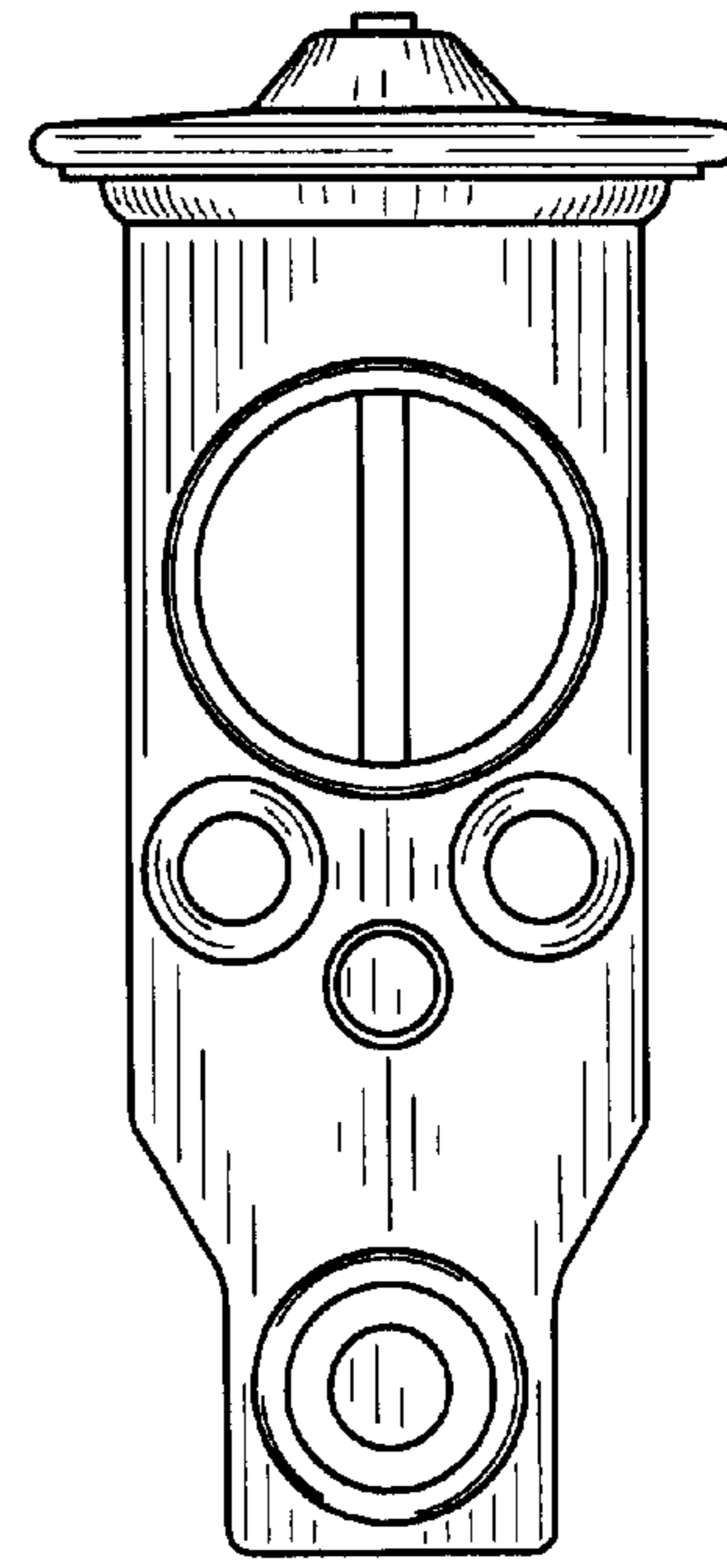


FIG. 2

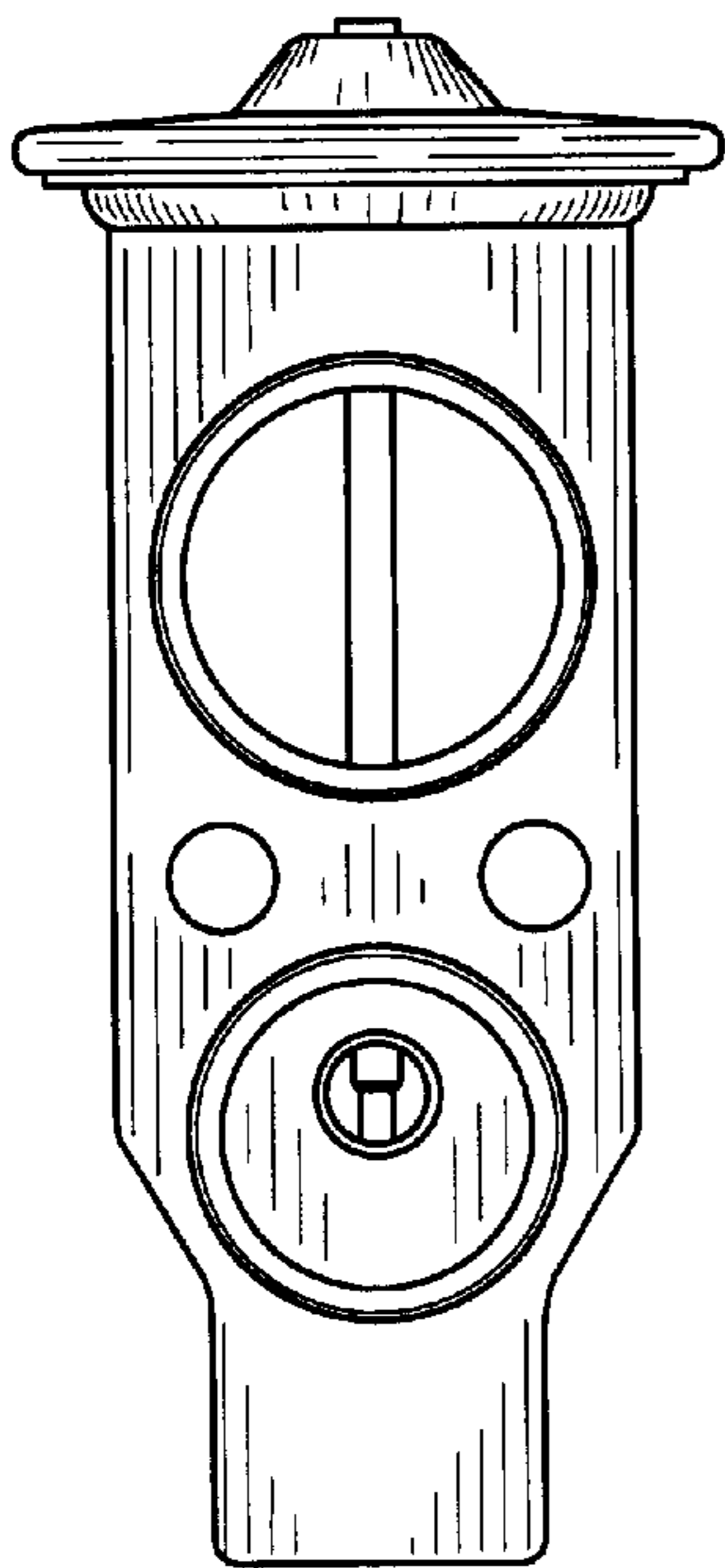


FIG. 3

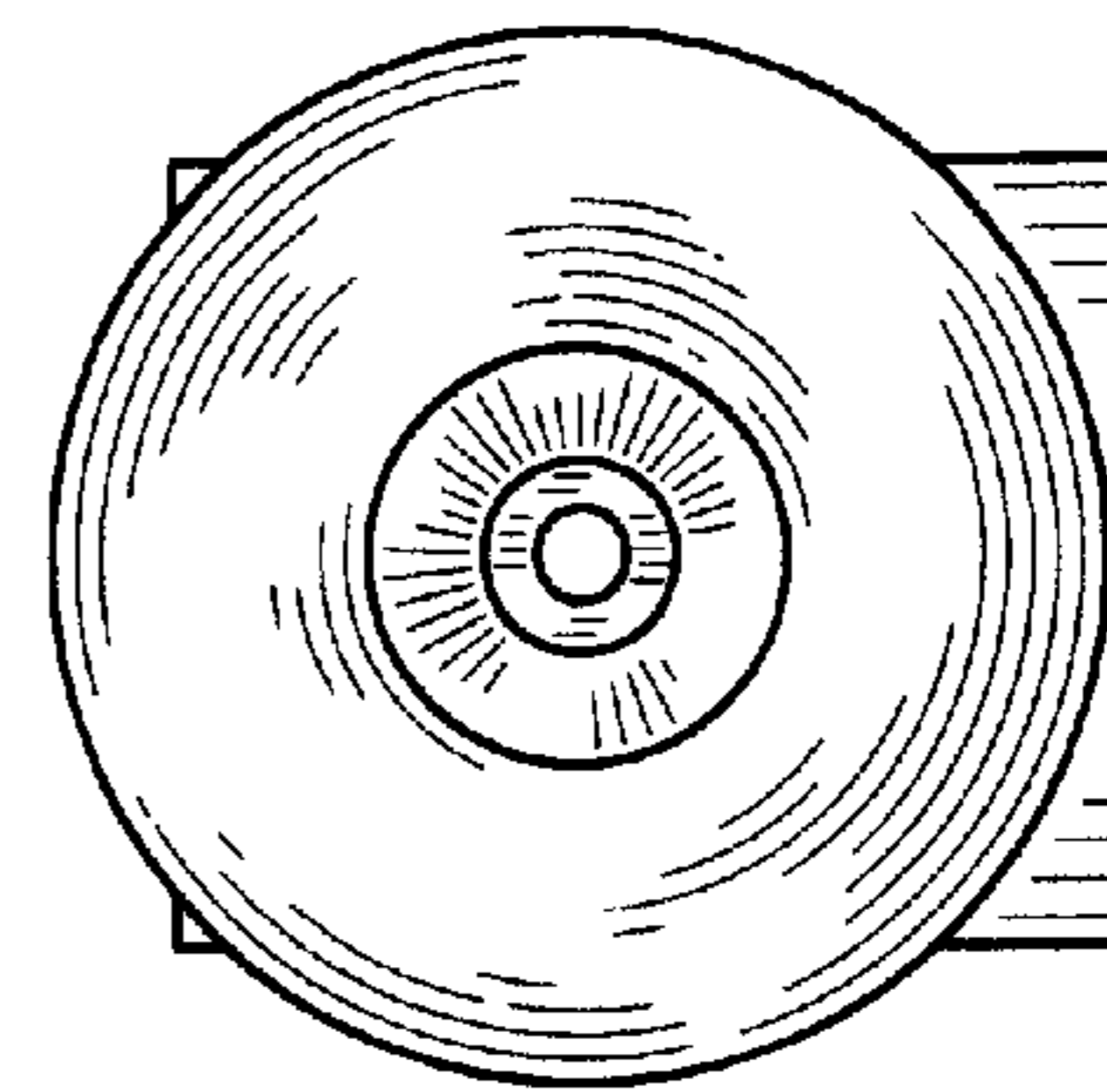


FIG. 4

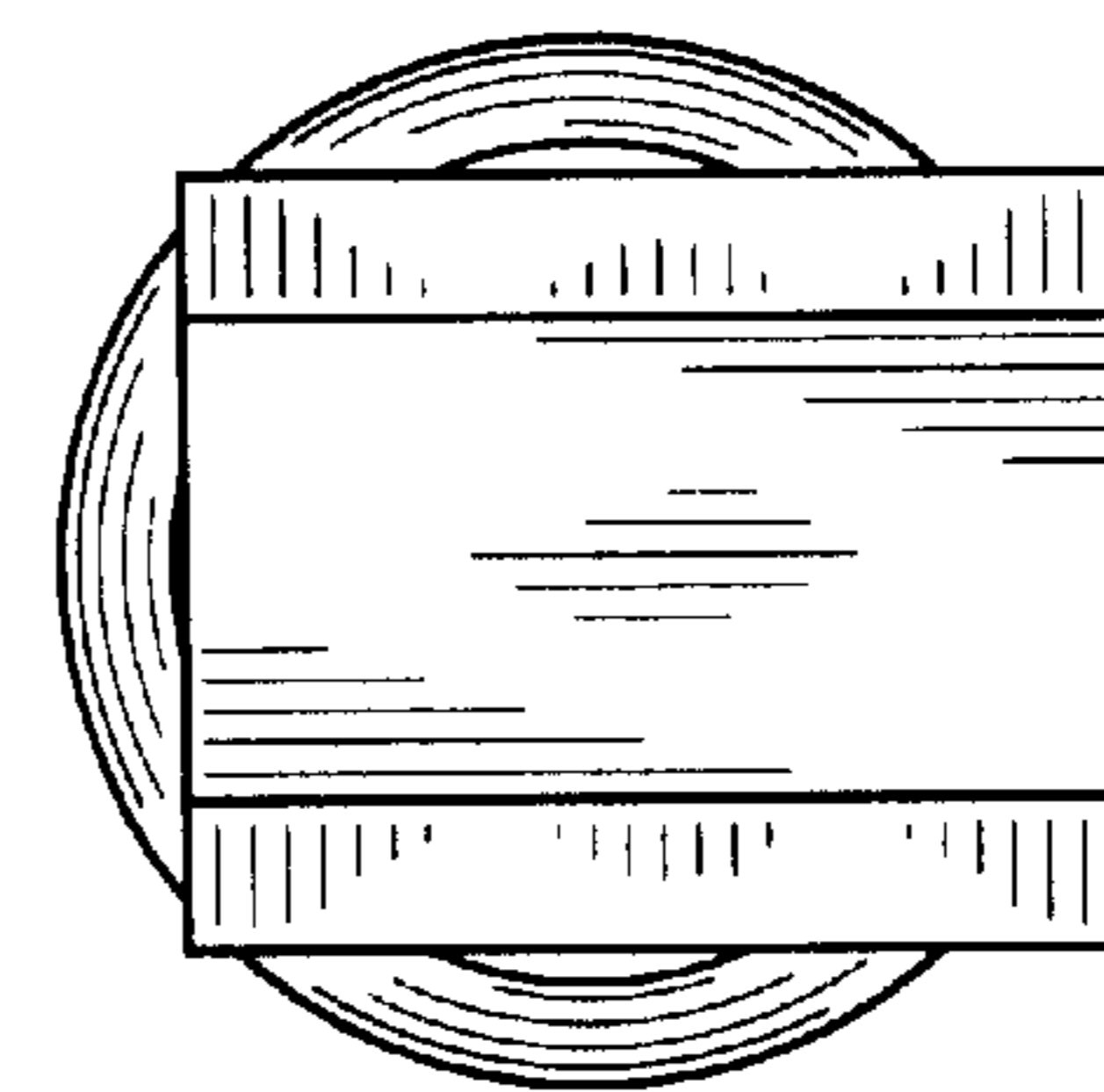


FIG. 5

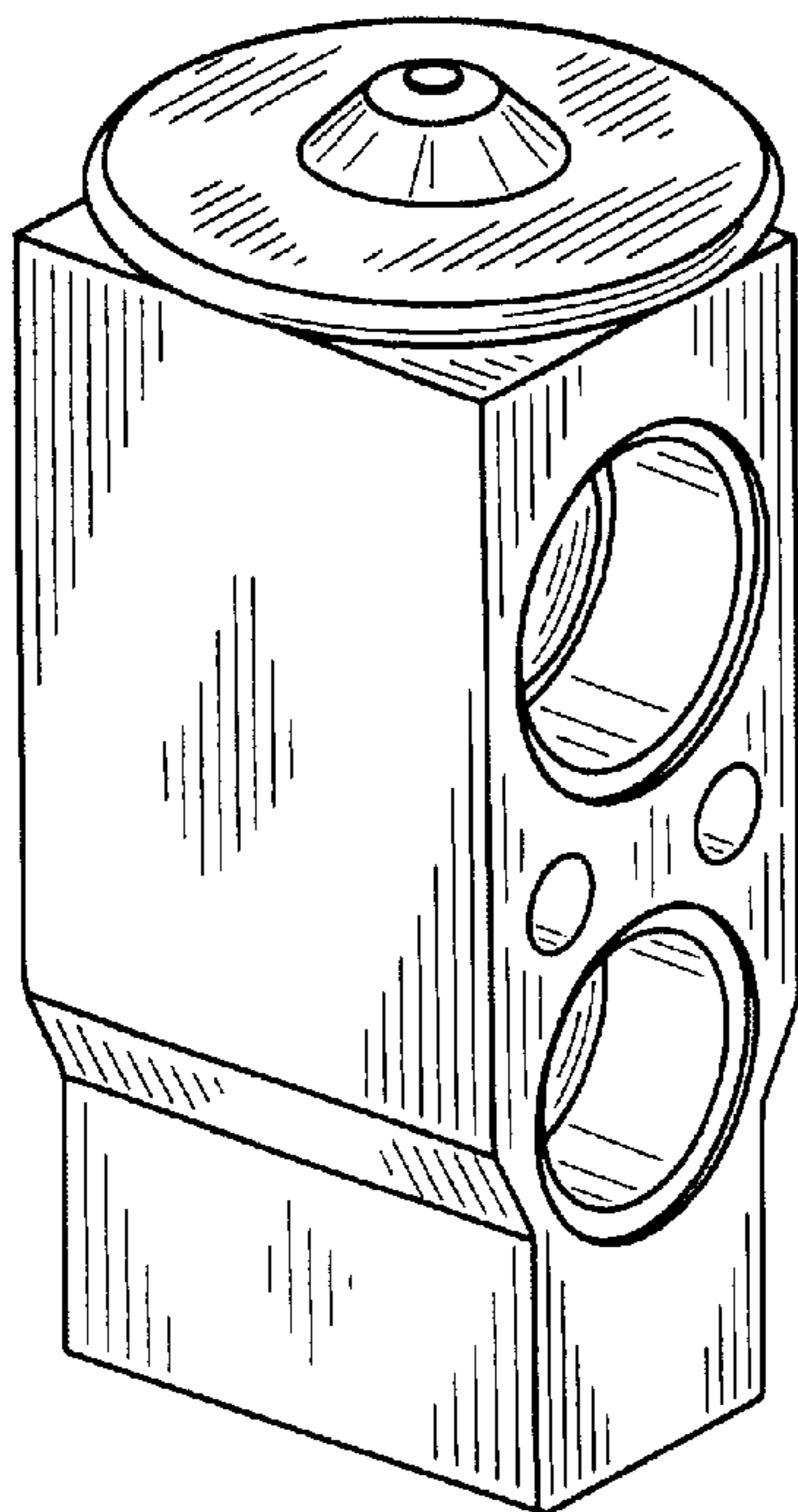


FIG. 6

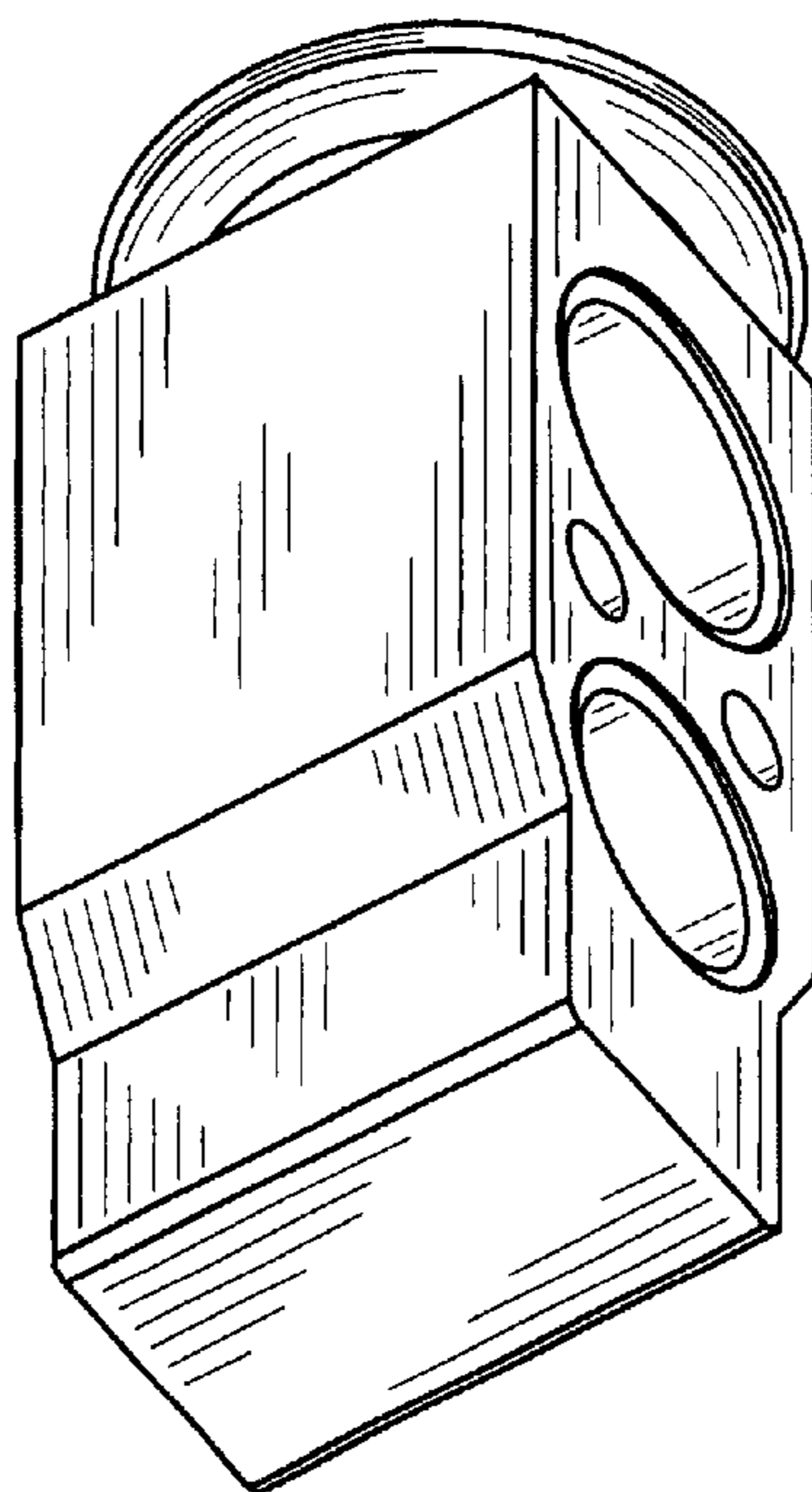


FIG. 7