



US00D532079S

(12) **United States Design Patent**
Dusar

(10) **Patent No.:** **US D532,079 S**

(45) **Date of Patent:** **** Nov. 14, 2006**

(54) **SHOWER ARRANGEMENT**

D385,333 S * 10/1997 Caroen et al. D23/228
D457,943 S * 5/2002 Crawford et al. D23/304
D484,225 S * 12/2003 Cropelli D23/304

(75) Inventor: **Heinz Dusar**, Anhausen (DE)

* cited by examiner

(73) Assignee: **Dusar Kunststoff-und Metallwaren GmbH** (DE)

Primary Examiner—Robin Webster

(**) Term: **14 Years**

(74) *Attorney, Agent, or Firm*—Robert W. Becker & Associates

(21) Appl. No.: **29/228,948**

(57) **CLAIM**

(22) Filed: **Apr. 29, 2005**

The ornamental design for a shower arrangement, as shown and described.

(30) **Foreign Application Priority Data**

Oct. 29, 2004 (EM) 000 246 293
Nov. 30, 2004 (EM) 000 259 981

DESCRIPTION

(51) **LOC (8) Cl.** **23-01**

(52) **U.S. Cl.** **D23/228; D23/304**

(58) **Field of Classification Search** D23/213,
D23/228, 303, 304; 4/570, 596, 597
See application file for complete search history.

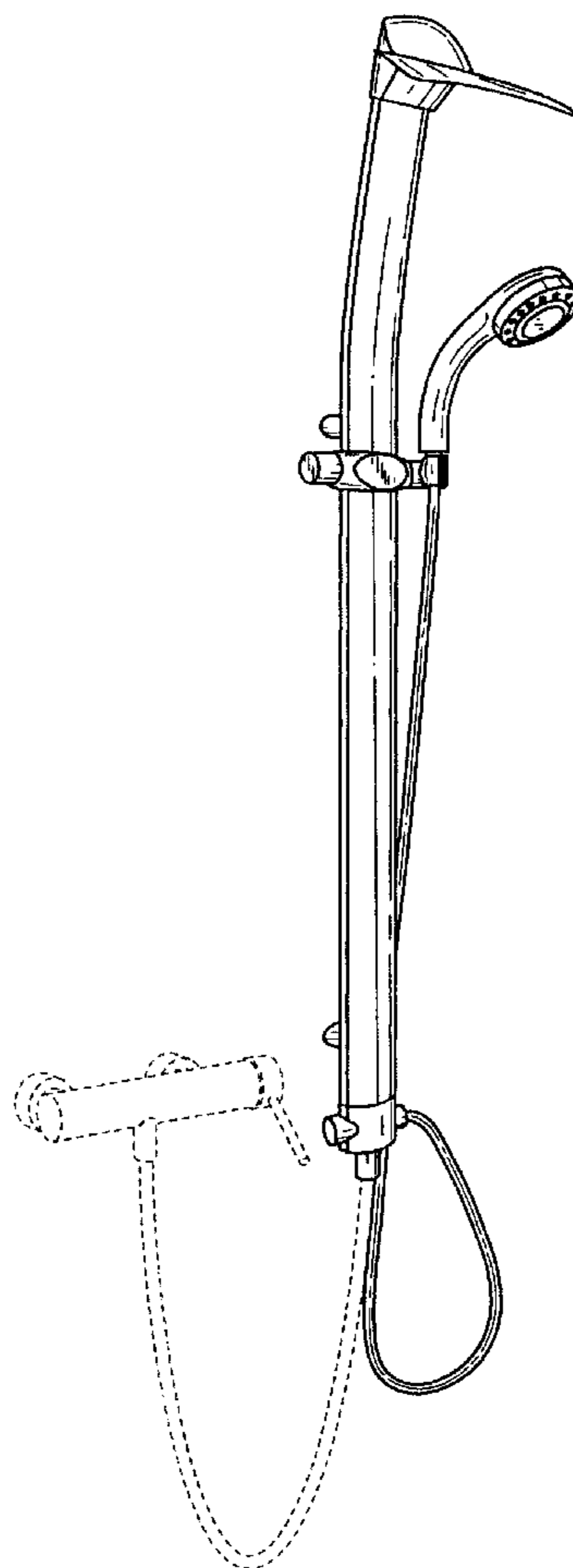
FIG. 1 is a perspective view of my shower arrangement;
FIG. 2 is a front view thereof;
FIG. 3 is a back view thereof;
FIG. 4 is a right side view thereof;
FIG. 5 is a left side view thereof;
FIG. 6 is a top view thereof; and,
FIG. 7 is a bottom view thereof.
The broken line showing is for illustrative purposes only and forms no part of the claimed design.

(56) **References Cited**

U.S. PATENT DOCUMENTS

D384,129 S * 9/1997 Neufeld et al. D23/213

1 Claim, 4 Drawing Sheets



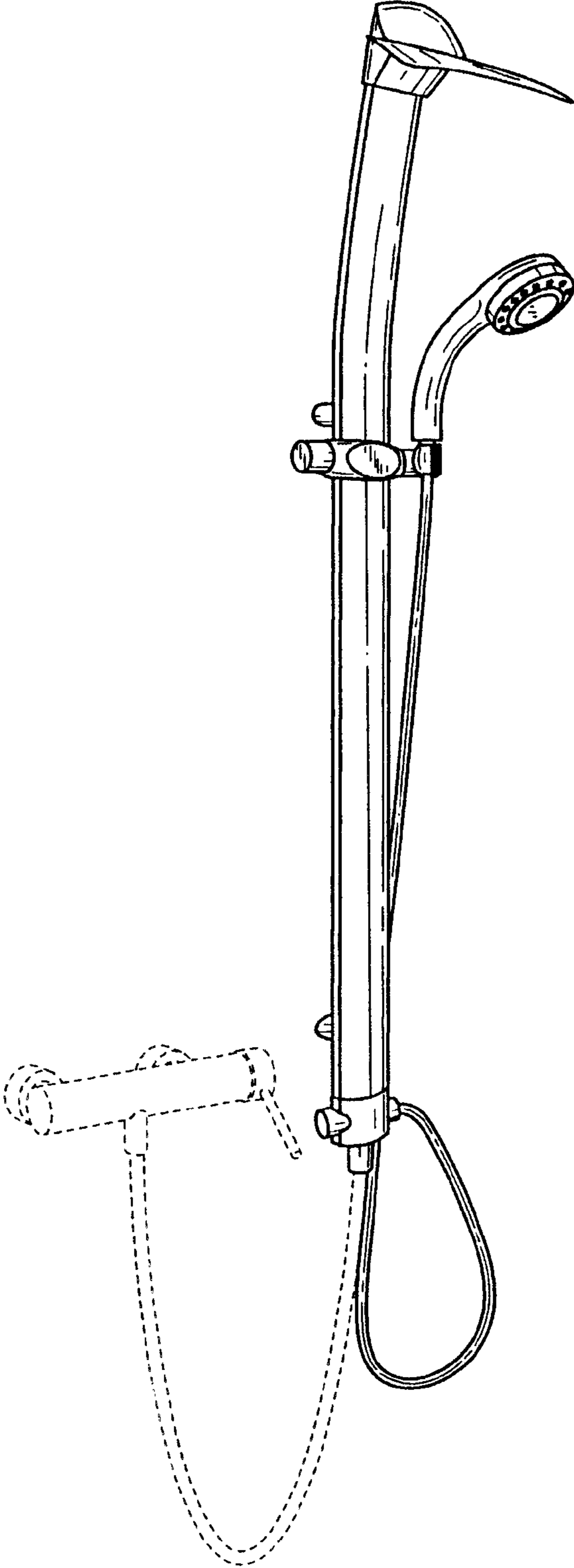


FIG.1

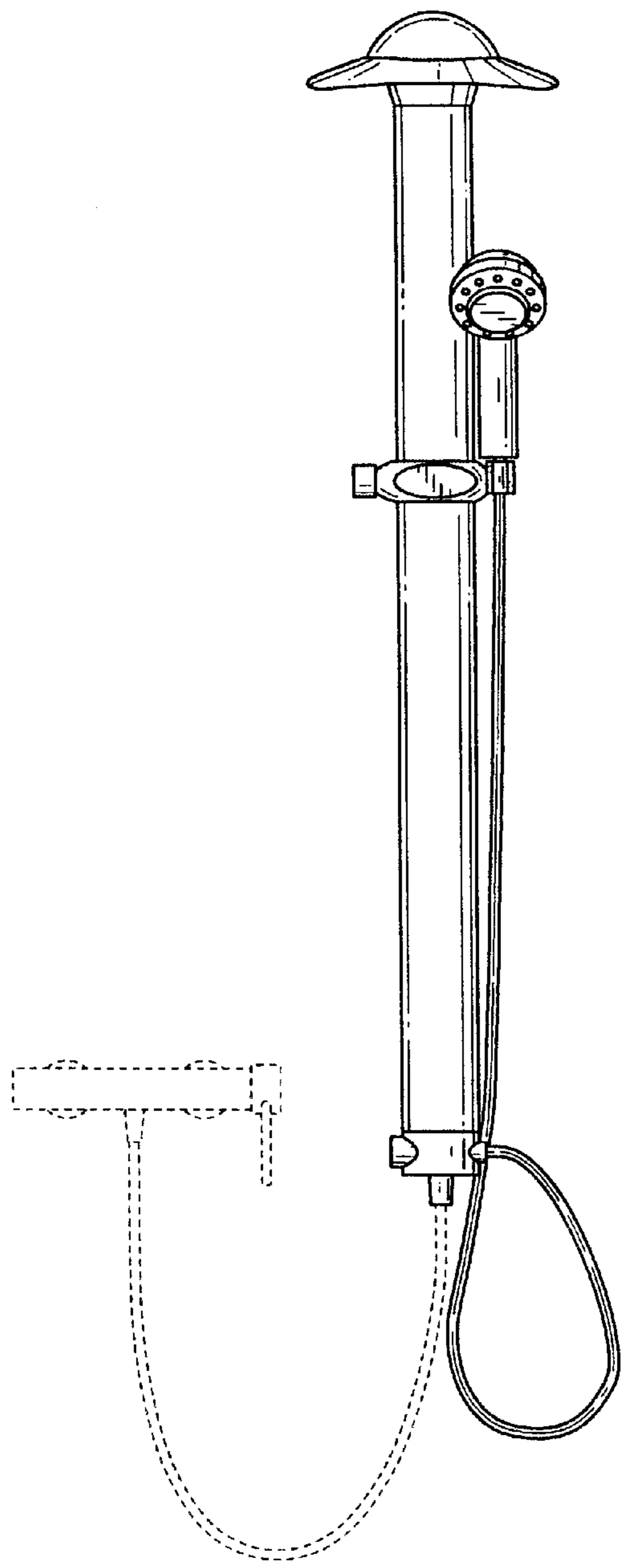


FIG. 2

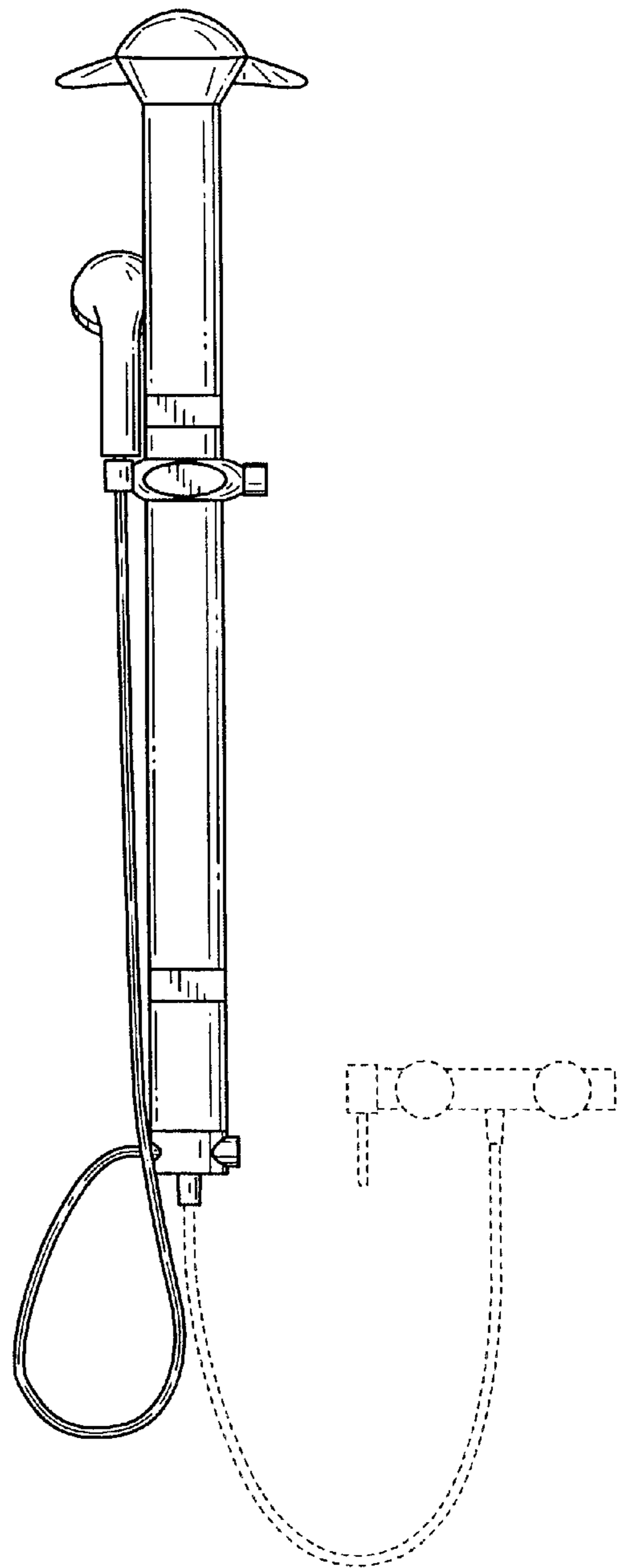


FIG. 3

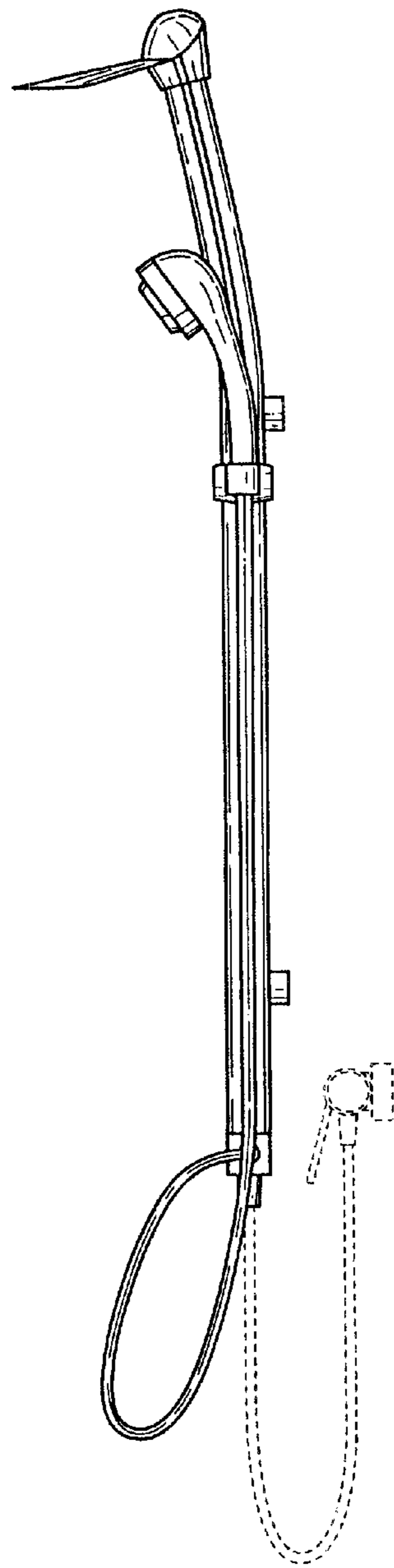


FIG.4

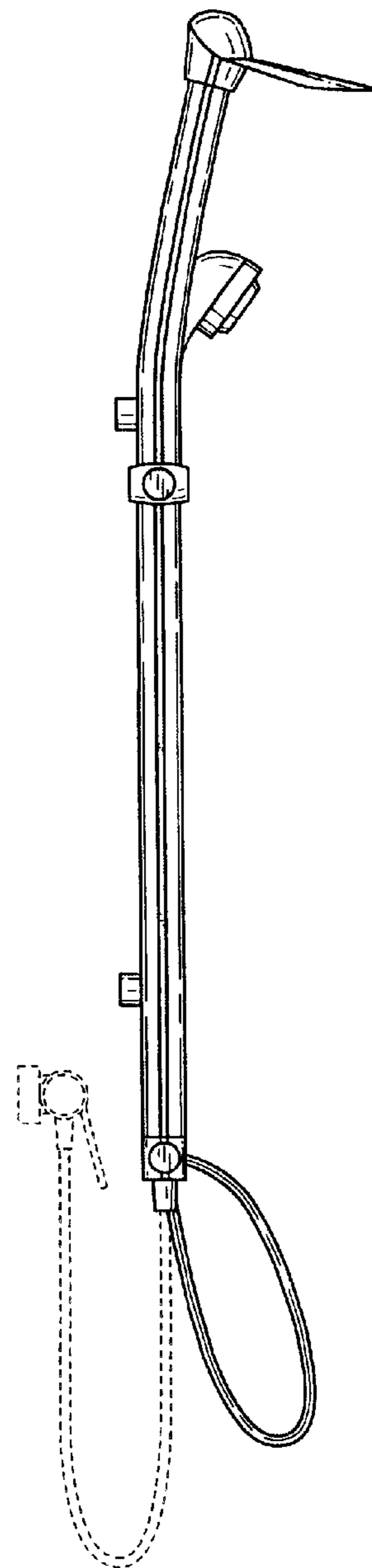


FIG.5

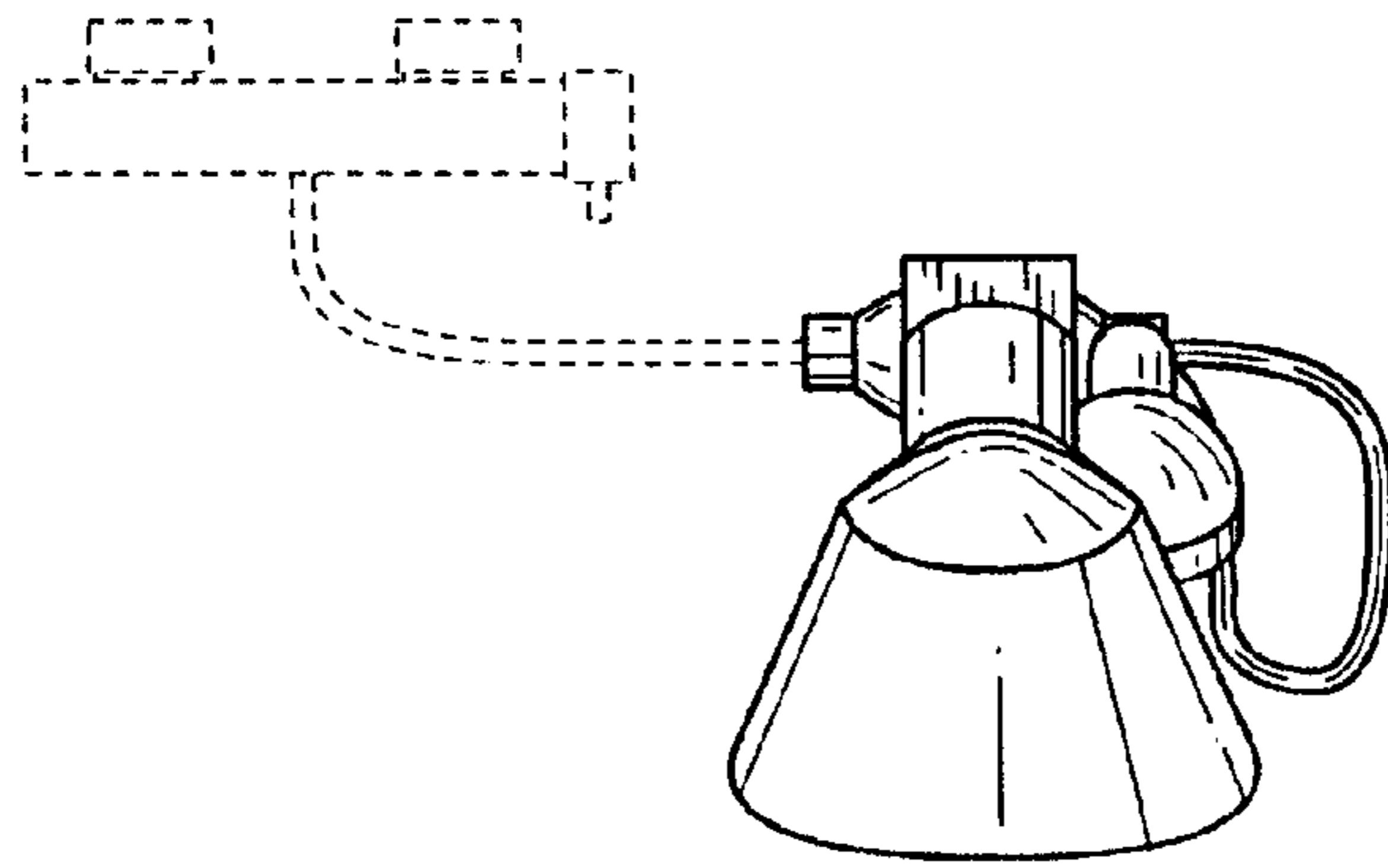


FIG. 6

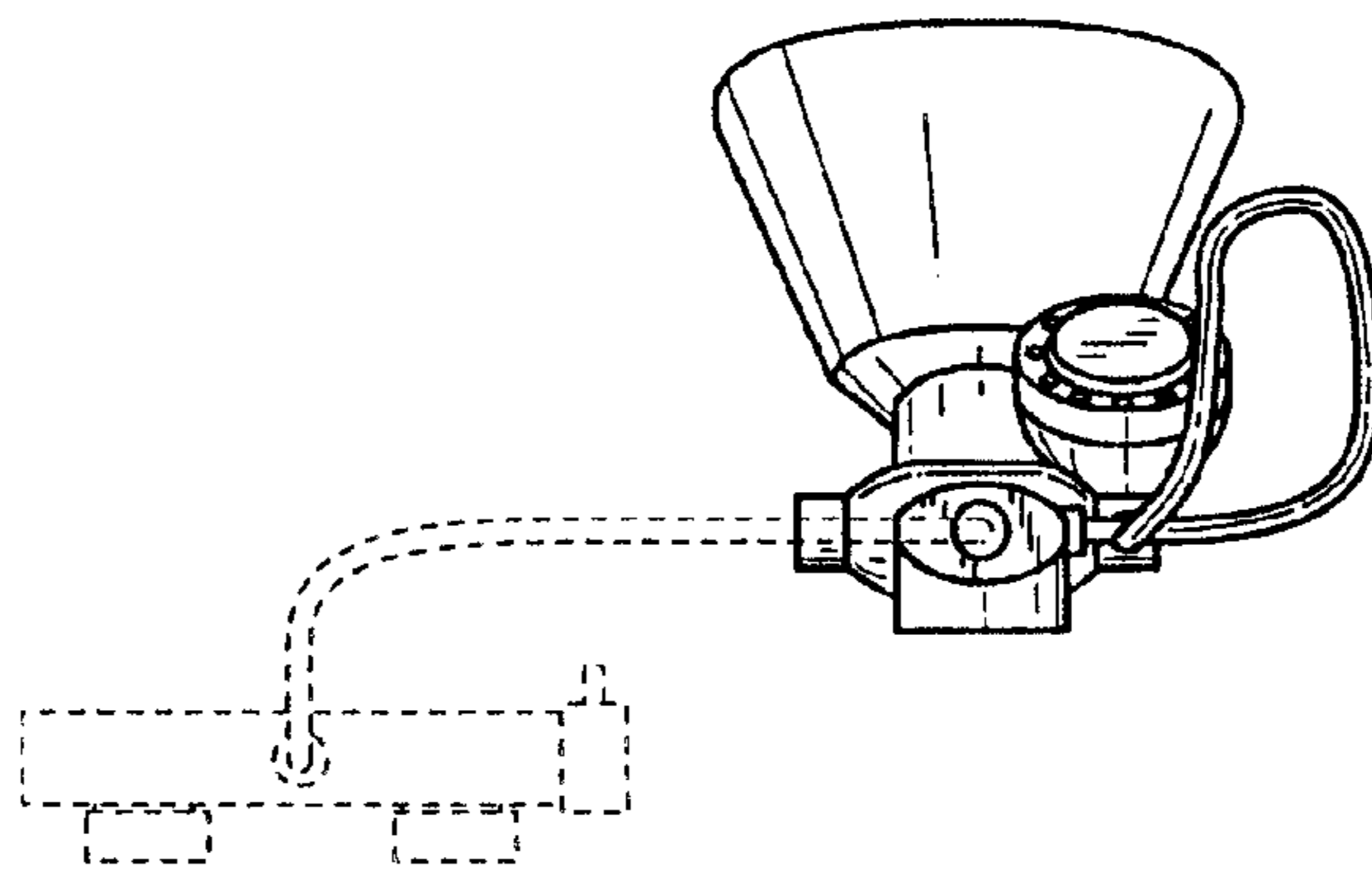


FIG. 7