



US00D532077S

(12) **United States Design Patent**  
**Chen**

(10) **Patent No.:** **US D532,077 S**

(45) **Date of Patent:** **\*\* Nov. 14, 2006**

(54) **SPRAY NOZZLE**

(76) Inventor: **Ho Chin Chen**, No. 11, Lane 188,  
Gungye Road, Lung Ching Shiang,  
Taichung (TW)

(\*\*) Term: **14 Years**

(21) Appl. No.: **29/229,937**

(22) Filed: **May 16, 2005**

(51) **LOC (8) Cl.** ..... **23-01**

(52) **U.S. Cl.** ..... **D23/213**

(58) **Field of Classification Search** ..... D23/213,  
D23/223, 226; 239/525-7

See application file for complete search history.

(56) **References Cited**

**U.S. PATENT DOCUMENTS**

- D464,707 S \* 10/2002 Wang ..... D23/226
- D470,220 S \* 2/2003 Nien ..... D23/226
- D501,537 S \* 2/2005 Zeng ..... D23/226

- D501,538 S \* 2/2005 Zeng ..... D23/226
- D517,645 S \* 3/2006 Chang ..... D23/226

\* cited by examiner

*Primary Examiner*—Robin Webster

(74) *Attorney, Agent, or Firm*—Bacon & Thomas

(57) **CLAIM**

The ornamental design for a spray nozzle, as shown and described.

**DESCRIPTION**

FIG. 1 is a perspective view of a spray nozzle showing my new design.

FIG. 2 is a right elevational view thereof;

FIG. 3 is a left elevational view thereof;

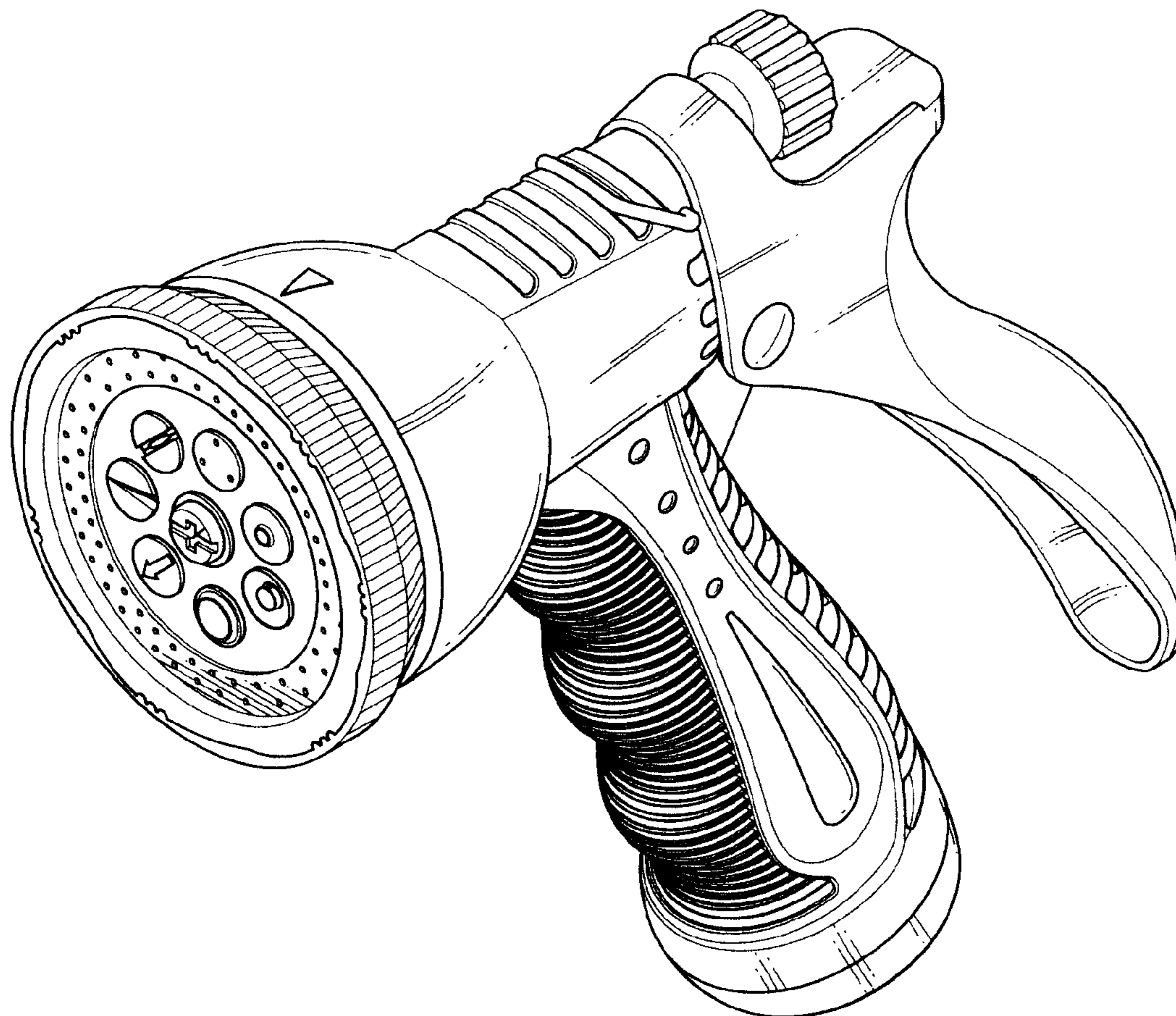
FIG. 4 is a front elevational view thereof;

FIG. 5 is a rear elevational view thereof;

FIG. 6 is a top plan view thereof; and,

FIG. 7 is a bottom plan view thereof.

**1 Claim, 7 Drawing Sheets**



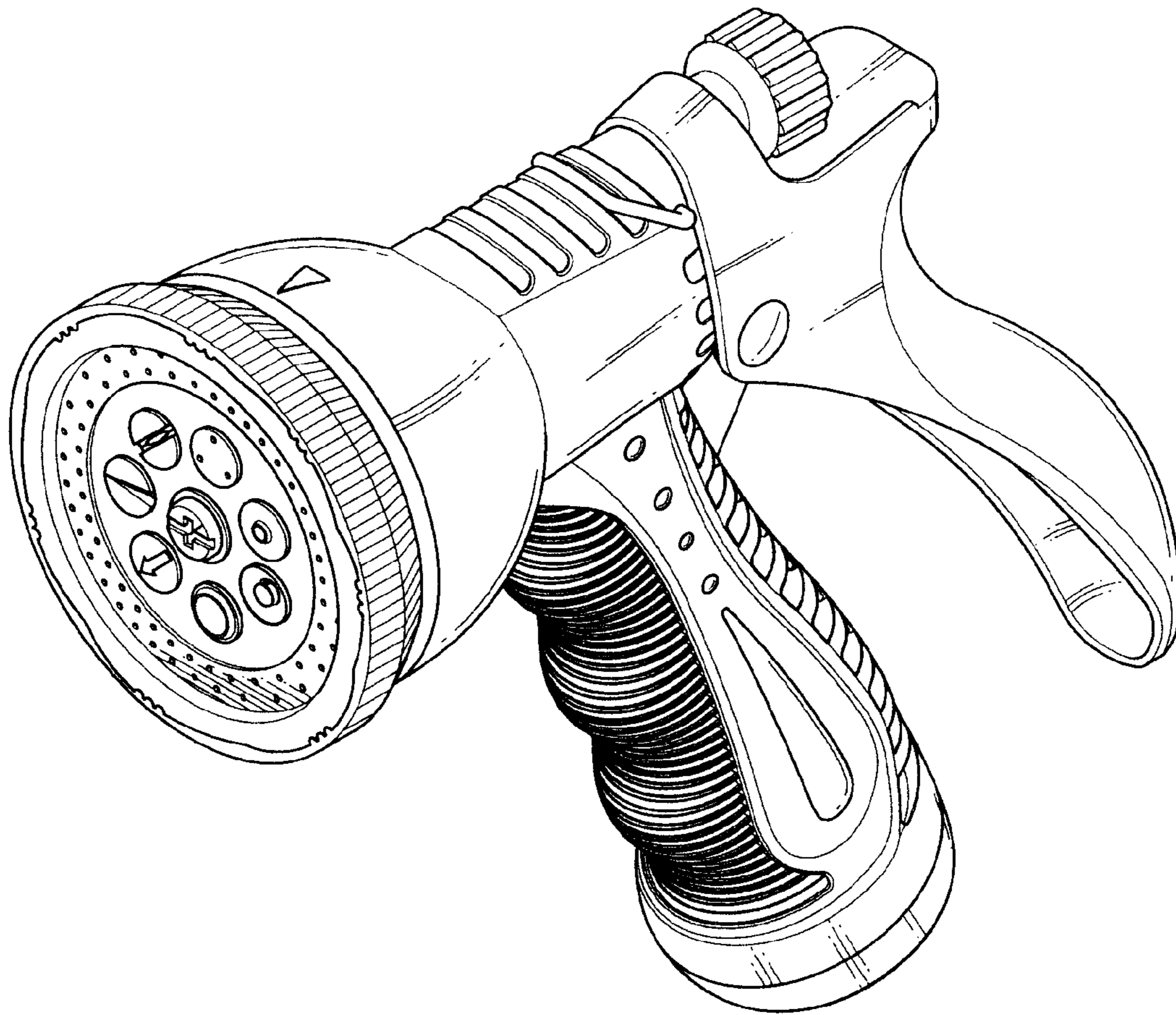


FIG.1

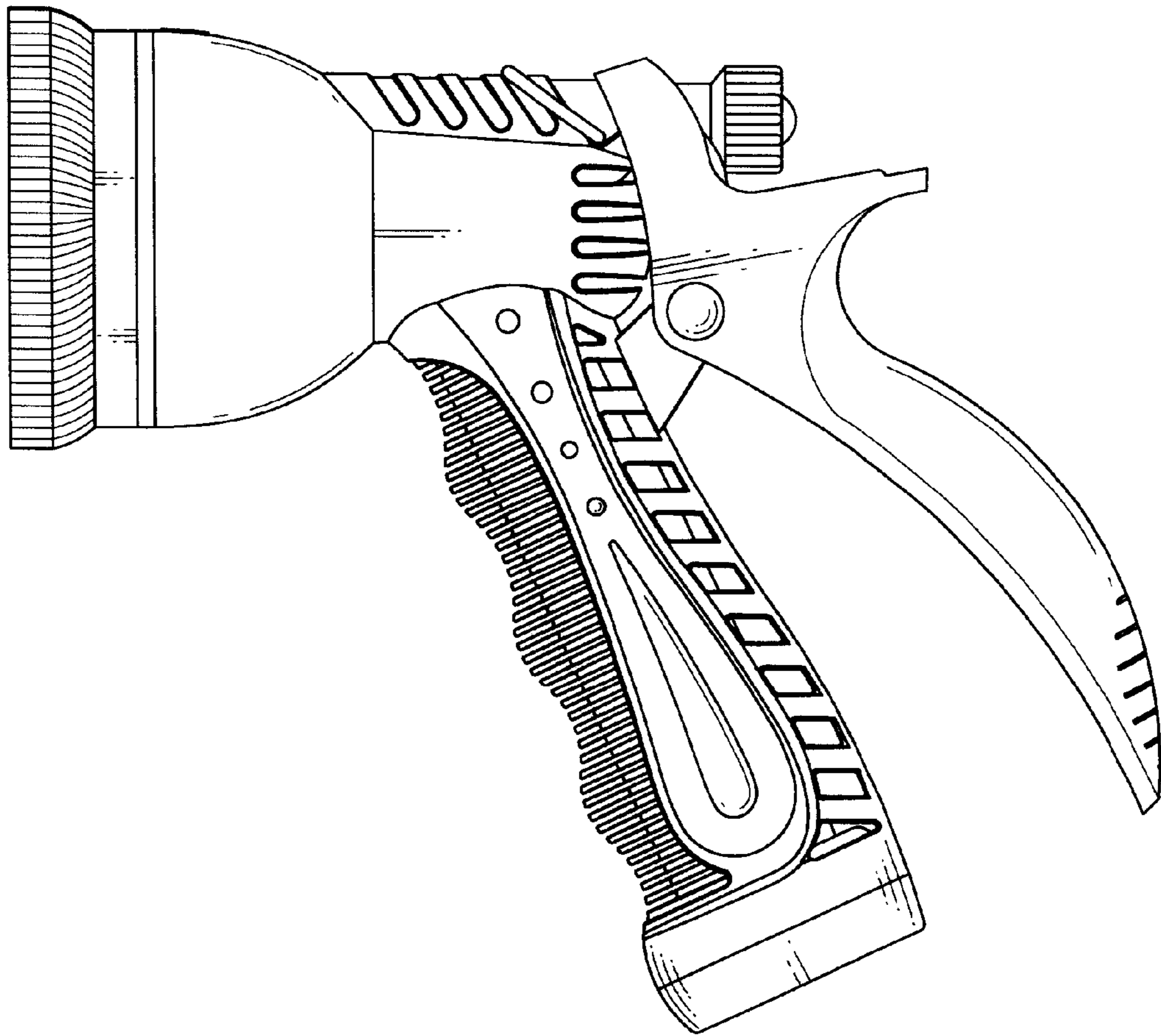


FIG.2



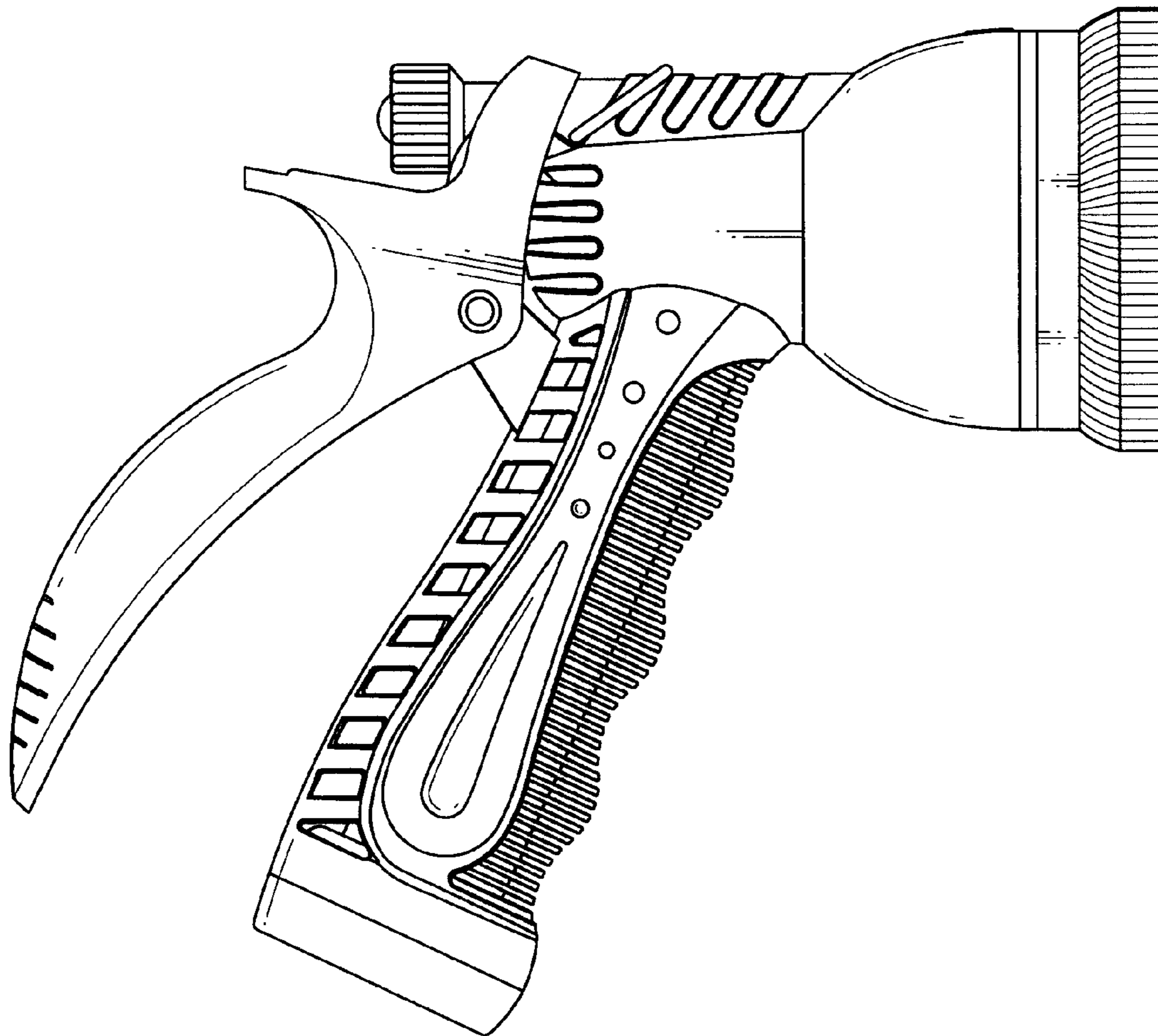


FIG.3

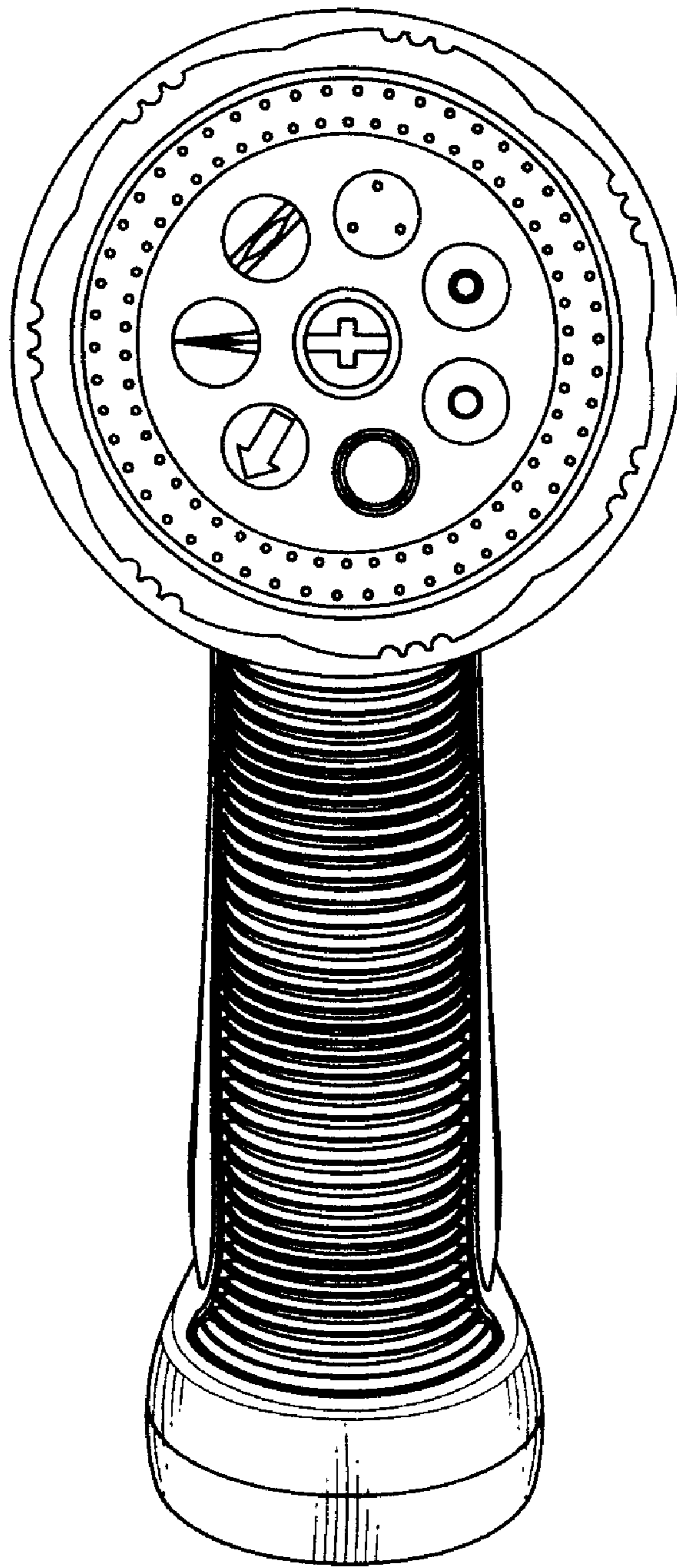


FIG.4

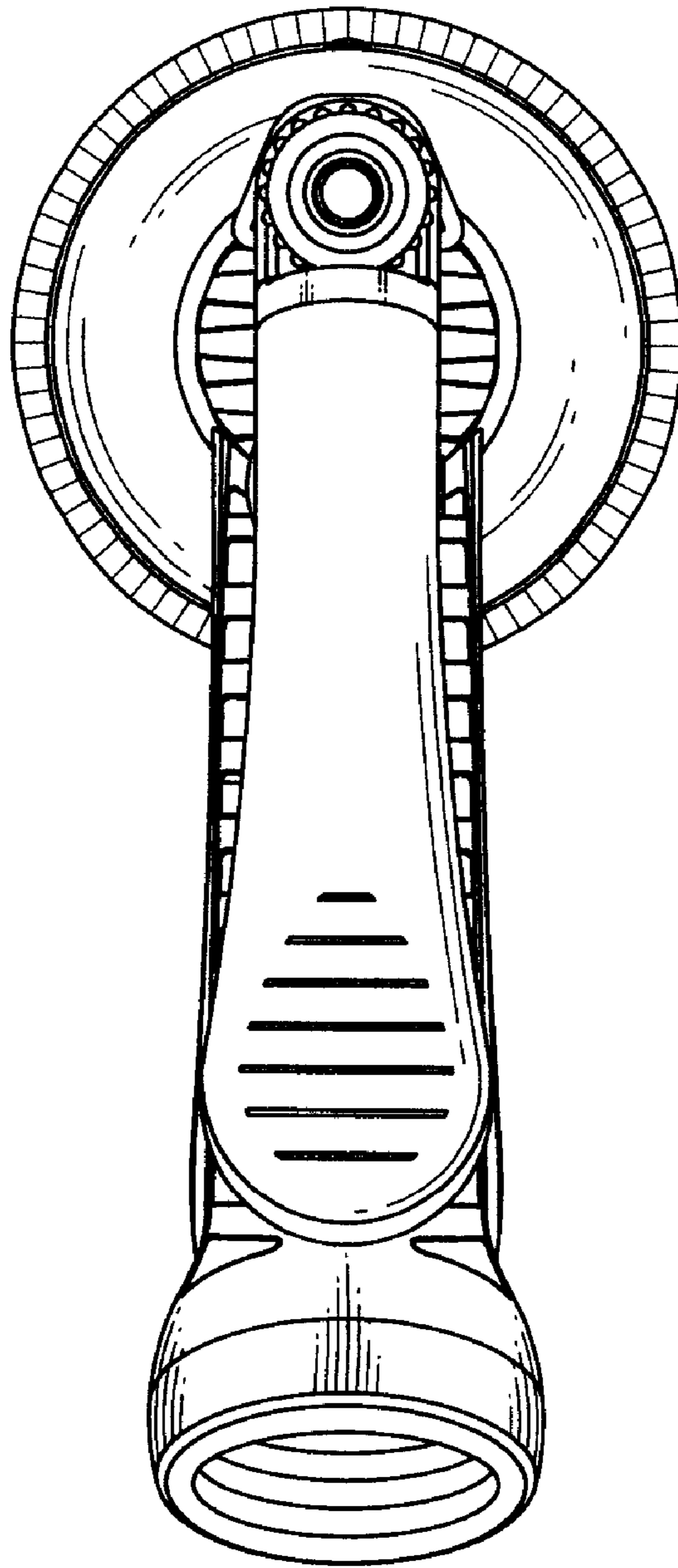


FIG. 5

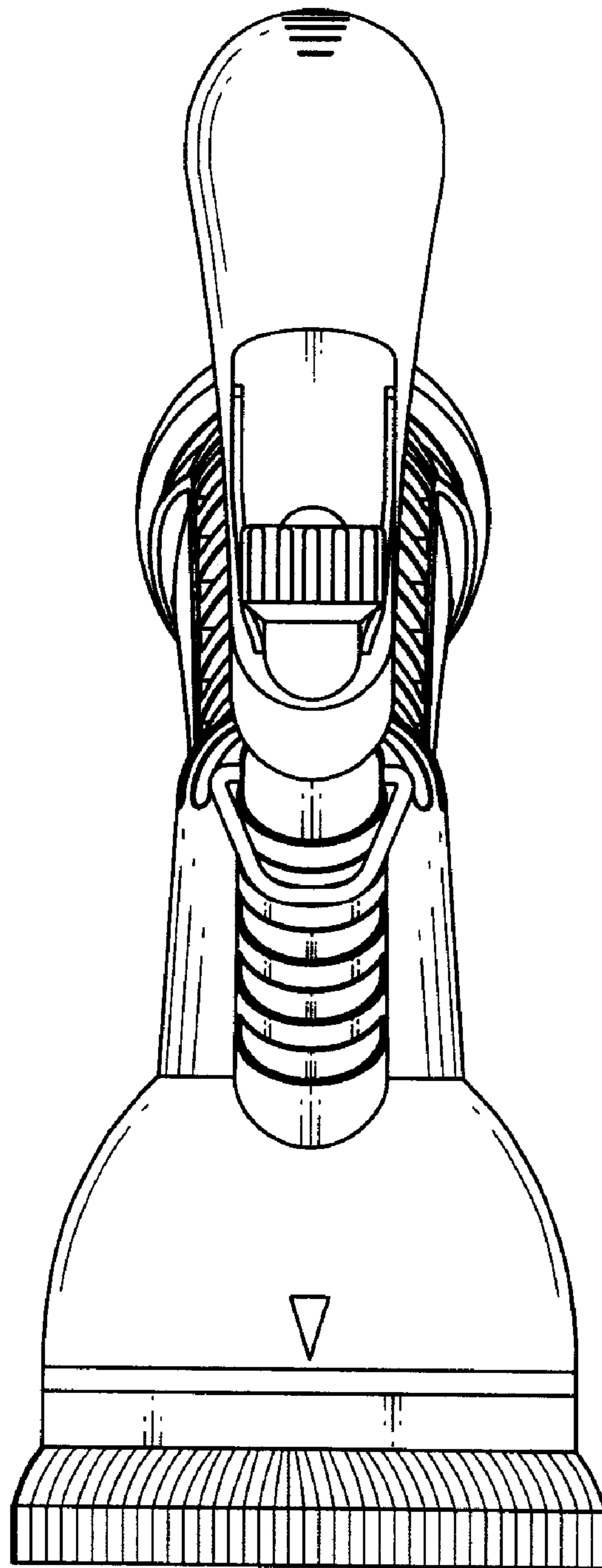


FIG.6

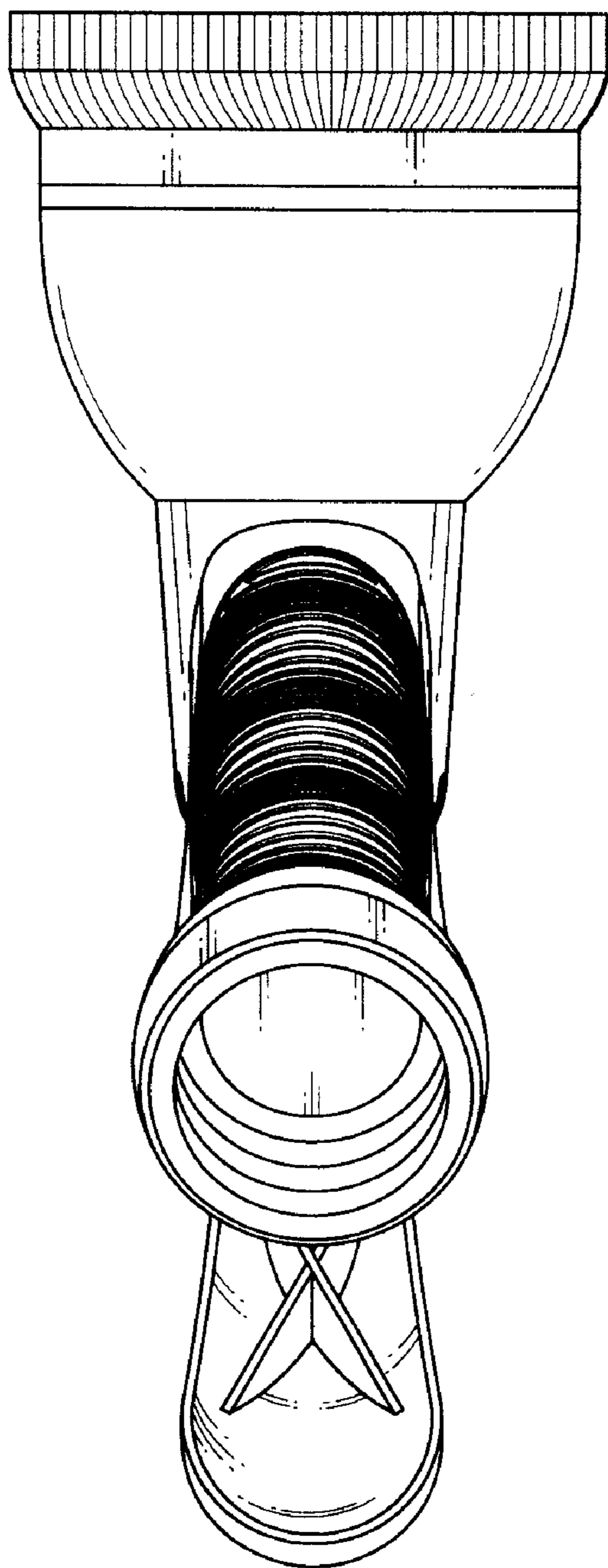


FIG. 7