

US00D532076S

(12) **United States Design Patent**
Mazzola

(10) **Patent No.:** **US D532,076 S**

(45) **Date of Patent:** **** Nov. 14, 2006**

(54) **SHOWER HEAD**

(75) **Inventor:** **Giovanni Maria Mazzola**, Valduggia (IT)

(73) **Assignee:** **Ergon S.r.l.**, Valduggia (IT)

(**) **Term:** **14 Years**

(21) **Appl. No.:** **29/225,591**

(22) **Filed:** **Mar. 18, 2005**

(30) **Foreign Application Priority Data**

Sep. 22, 2004 (EM) 000230271-0002
Sep. 22, 2004 (EM) 000230271-0001

(51) **LOC (8) Cl.** **23-01**

(52) **U.S. Cl.** **D23/213**

(58) **Field of Classification Search** D23/213,
D23/229, 230; 239/282, 283, 394
See application file for complete search history.

(56) **References Cited**

U.S. PATENT DOCUMENTS

D297,160 S * 8/1988 Robbins D23/213

D507,820 S * 7/2005 Blomstrom D23/229
D508,730 S * 8/2005 Blomstrom D23/229
D509,282 S * 9/2005 Blomstrom D23/229
D511,810 S * 11/2005 Hanna D23/229
D512,119 S * 11/2005 Haug et al. D23/213

* cited by examiner

Primary Examiner—Robin Webster

(74) *Attorney, Agent, or Firm*—Nixon & Vanderhye P.C.

(57) **CLAIM**

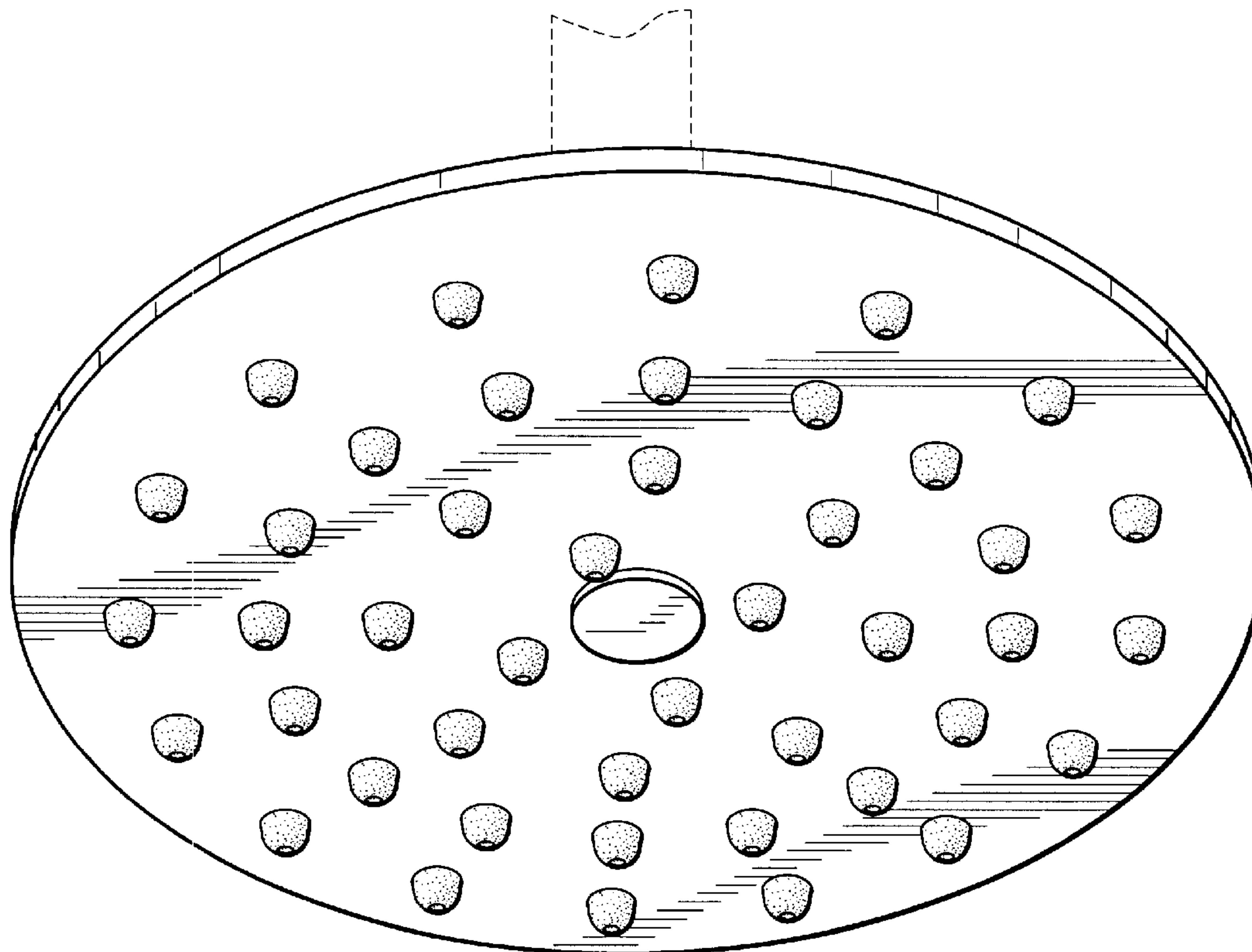
The ornamental design for a “shower head,” as shown and described.

DESCRIPTION

FIG. 1 is a front view of a shower head of my design;
FIG. 2 is a front top perspective view;
FIG. 3 is a bottom perspective view; and,
FIG. 4 is a bottom view.

The broken line showing is for illustrative purposes only and forms no part of the claimed design.

1 Claim, 2 Drawing Sheets



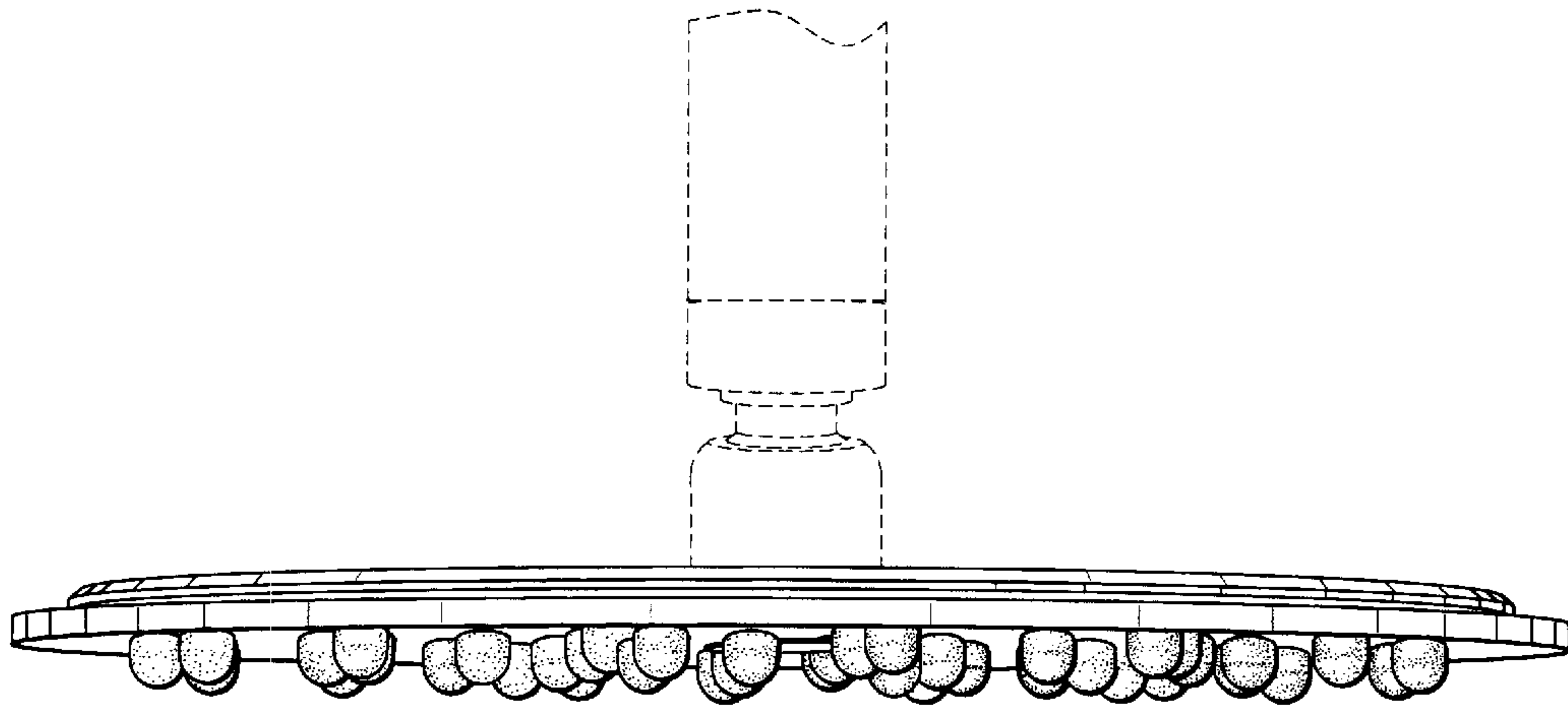


FIG. 1

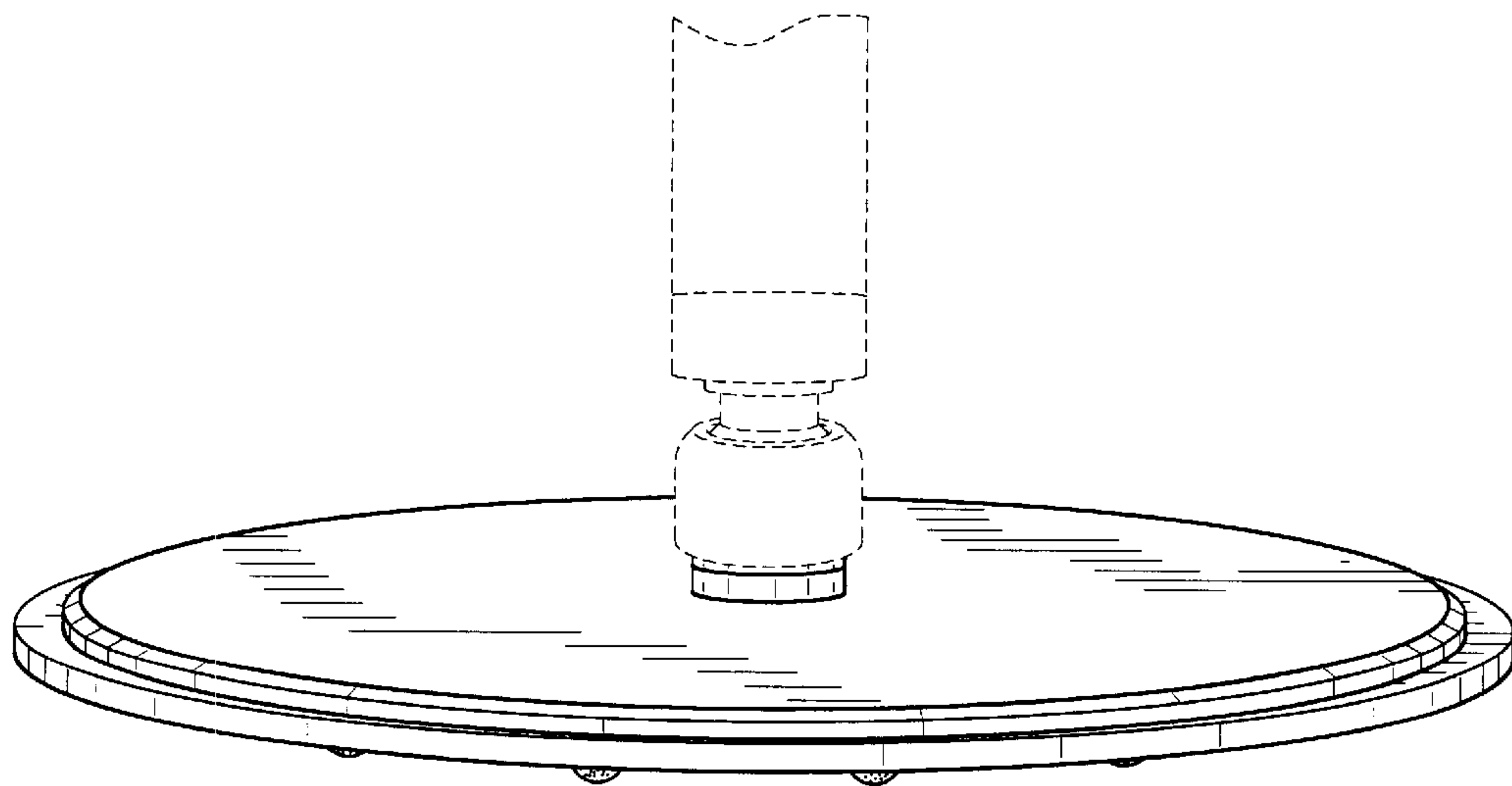


FIG. 2

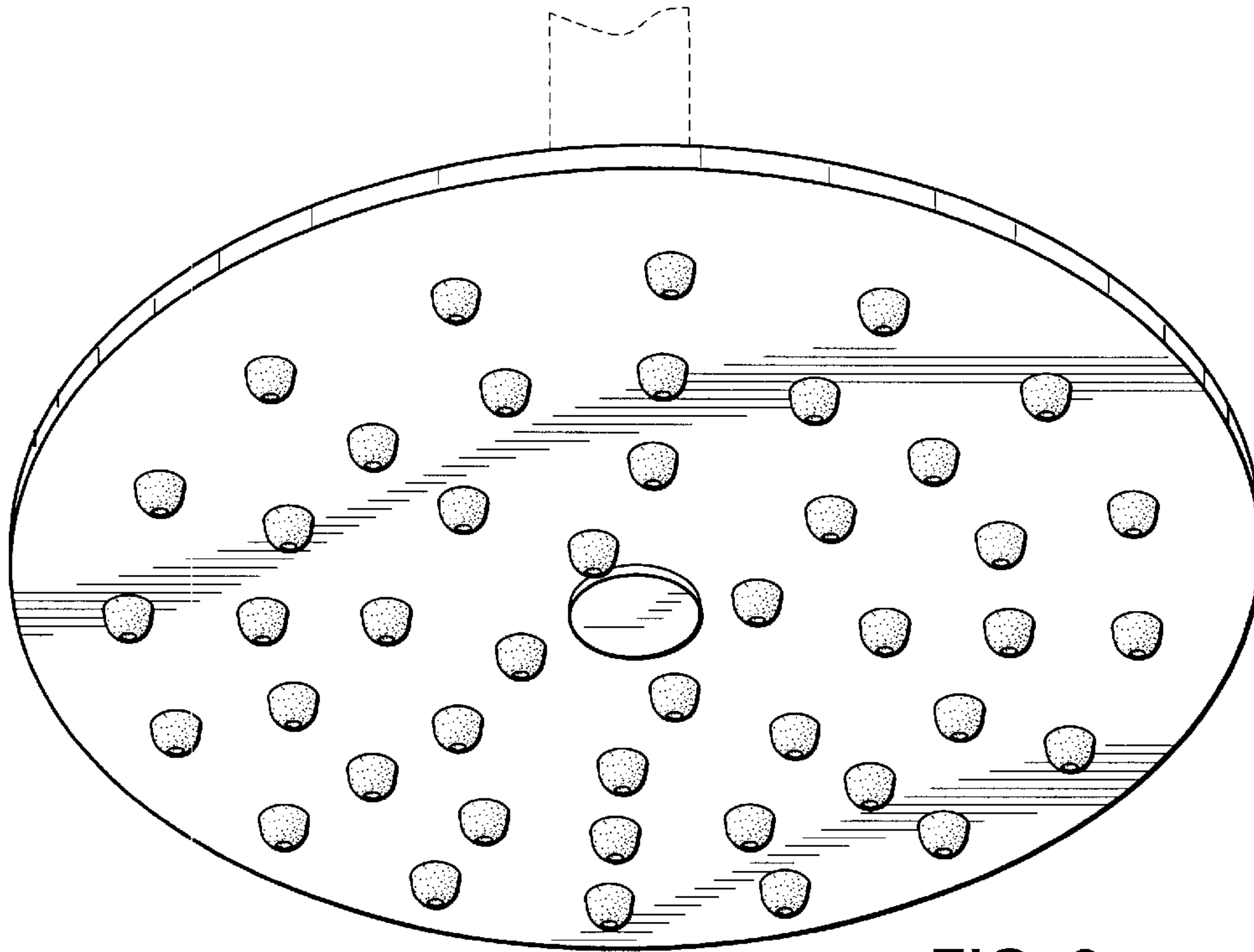


FIG. 3

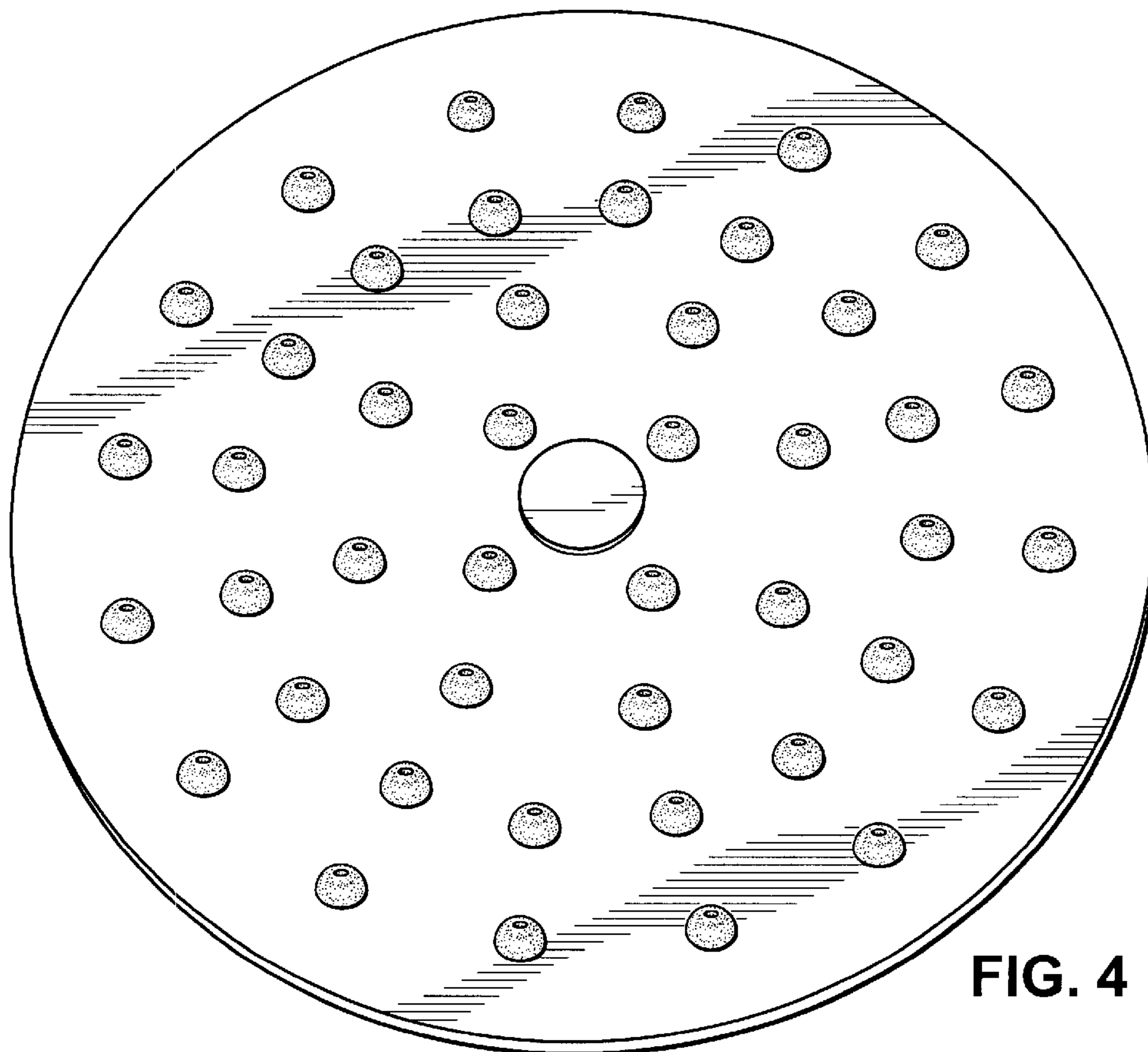


FIG. 4