



US00D532072S

(12) **United States Design Patent**  
**Price**

(10) **Patent No.:** **US D532,072 S**

(45) **Date of Patent:** **\*\* Nov. 14, 2006**

(54) **MUZZLE BRAKE**

(76) Inventor: **Donald H. Price**, 1574 Coburg Rd.,  
194, Eugene, OR (US) 97401

(\*\*) Term: **14 Years**

(21) Appl. No.: **29/235,250**

(22) Filed: **Jul. 29, 2005**

(51) **LOC (8) Cl.** ..... **22-01**

(52) **U.S. Cl.** ..... **D22/108**

(58) **Field of Classification Search** ..... D22/108;  
42/51, 66, 61, 67, 70.01, 76.01, 79, 107;  
89/1.3, 27.12  
See application file for complete search history.

(56) **References Cited**

U.S. PATENT DOCUMENTS

2,809,560	A	*	10/1957	Matson et al.	.....	89/14.3
2,852,983	A	*	9/1958	Netzer	.....	89/14.3
D268,861	S	*	5/1983	Gwinn, Jr.	.....	D22/108
D300,763	S	*	4/1989	Mazzanti	.....	D22/108
D358,861	S	*	5/1995	Gangl, Jr.	.....	D22/108
D384,389	S	*	9/1997	Cyktich	.....	D22/108

\* cited by examiner

*Primary Examiner*—Ian Simmons

*Assistant Examiner*—Melanie Levy

(74) *Attorney, Agent, or Firm*—Robert E. Howard

(57) **CLAIM**

The ornamental design for a muzzle brake, as shown and described.

**DESCRIPTION**

FIG. 1 is a left side elevational view of the muzzle brake showing the design, the muzzle break being integral with the barrel of a pistol shown in phantom;

FIG. 2 is a top plan view thereof;

FIG. 3 is a bottom plan view thereof;

FIG. 4 is a front elevational view thereof;

FIG. 5 is a left side elevational view thereof;

FIG. 6 is a right side elevational view thereof;

FIG. 7 is a left side elevational view of a second embodiment of the design, the sole difference being the more rounded shape of the front and rear edges of the opening in the top thereof;

FIG. 8 is a top plan view thereof;

FIG. 9 is a bottom plan view thereof;

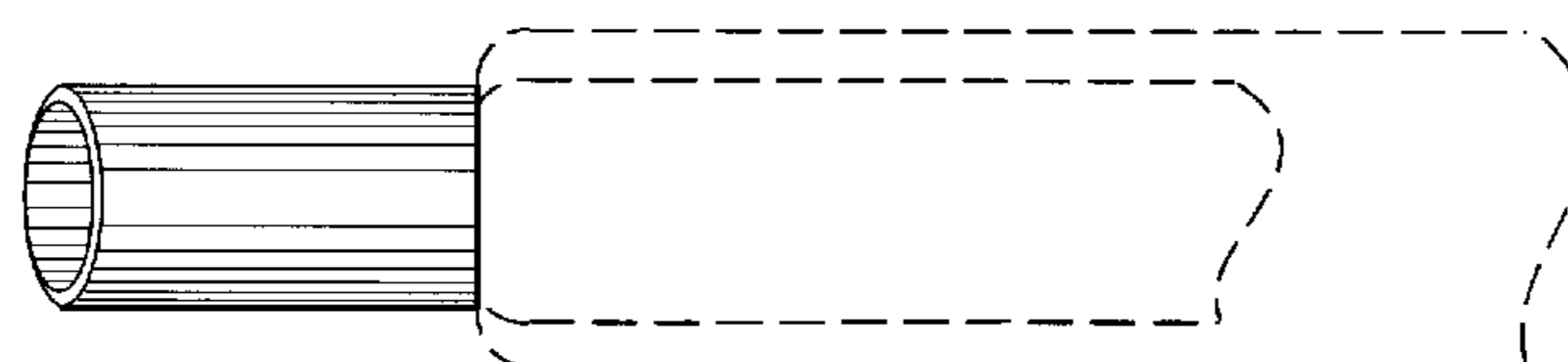
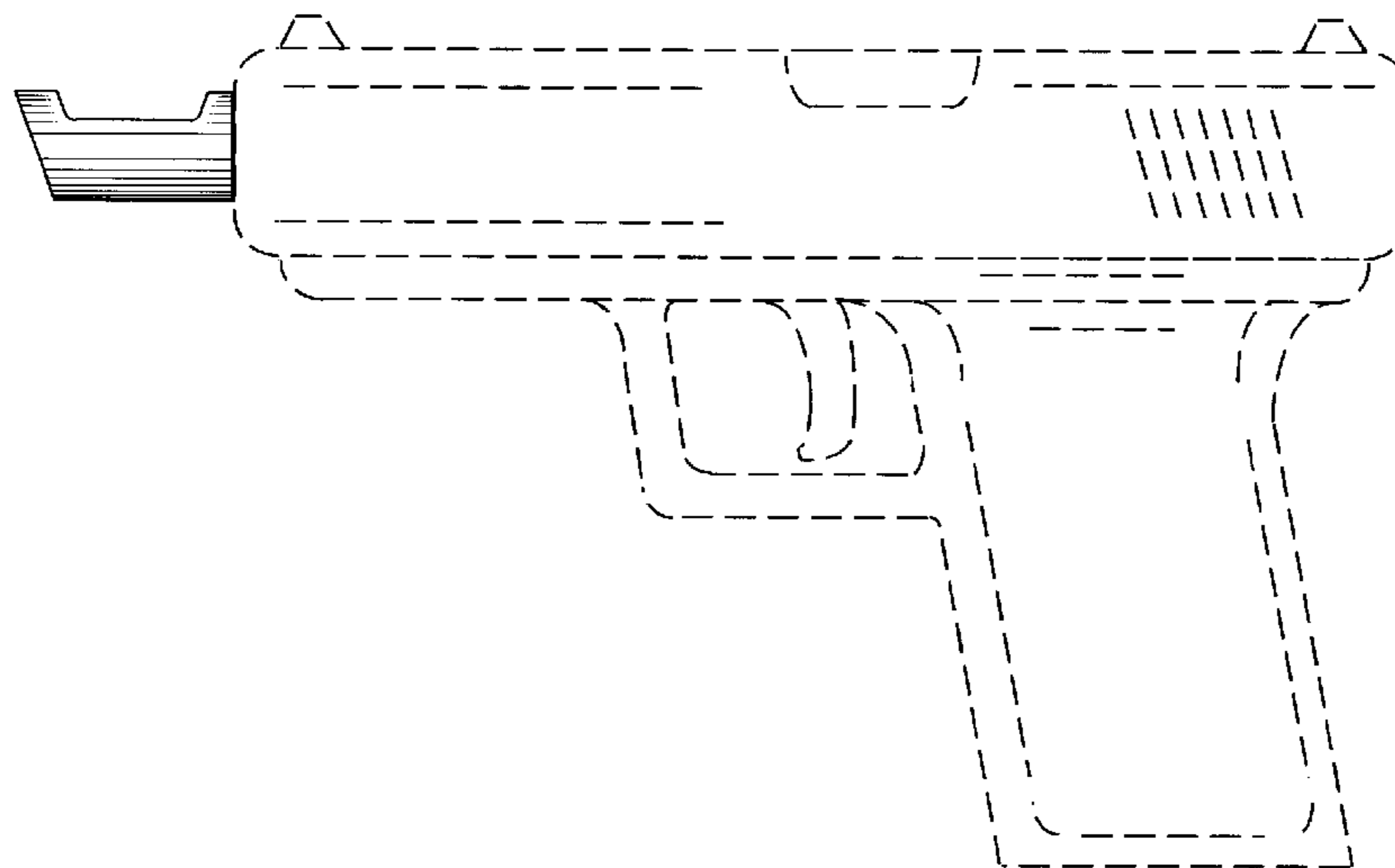
FIG. 10 is a front elevational view thereof;

FIG. 11 is a left side elevational view thereof; and,

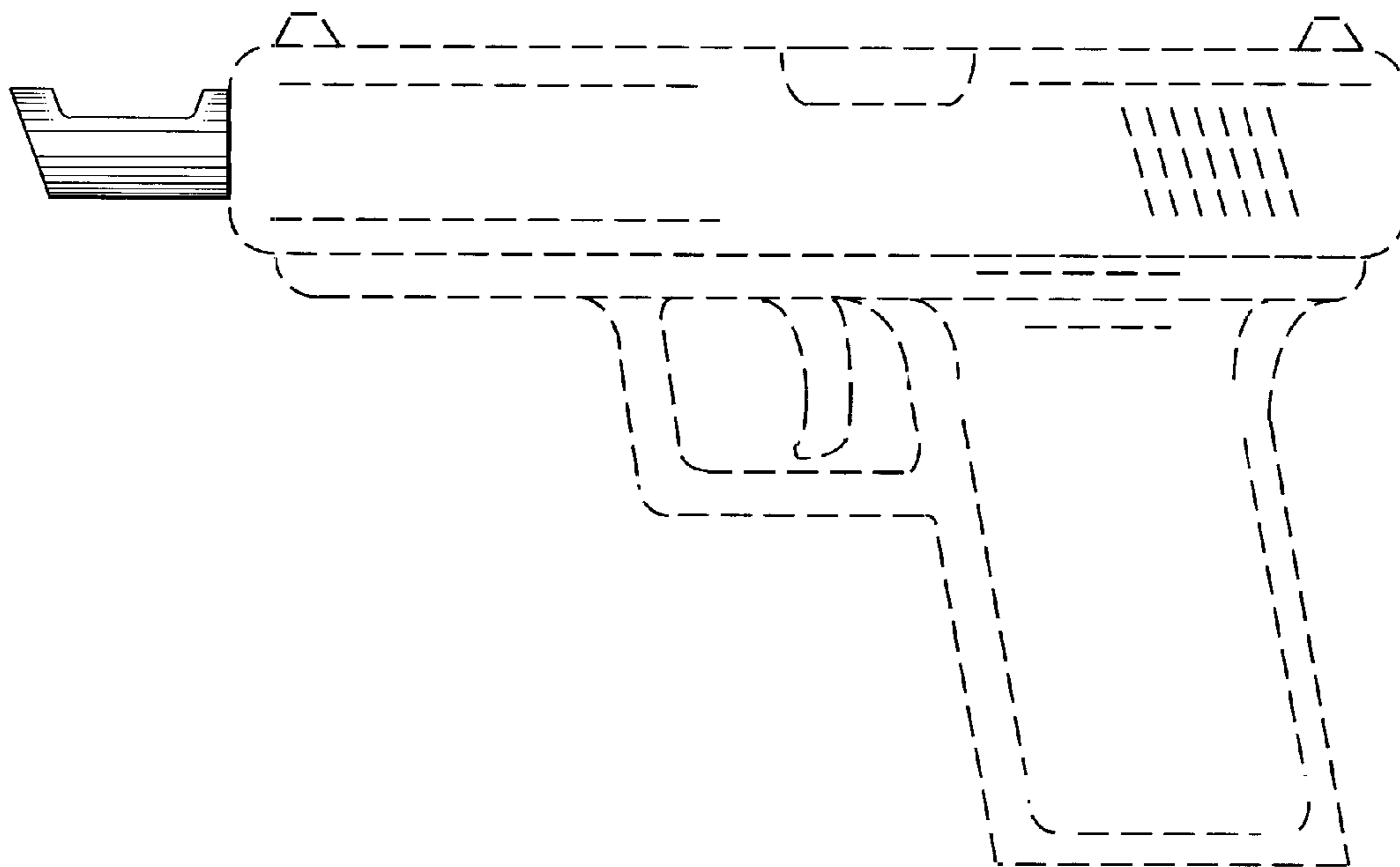
FIG. 12 is a right side elevational view thereof.

The broken lines are for illustrative purposes only and forms no part of the claimed design.

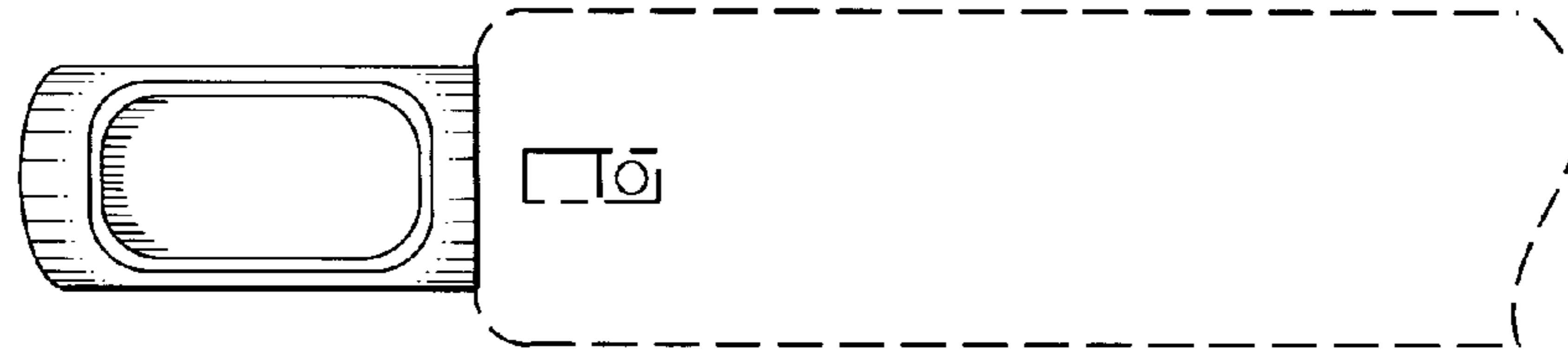
**1 Claim, 4 Drawing Sheets**



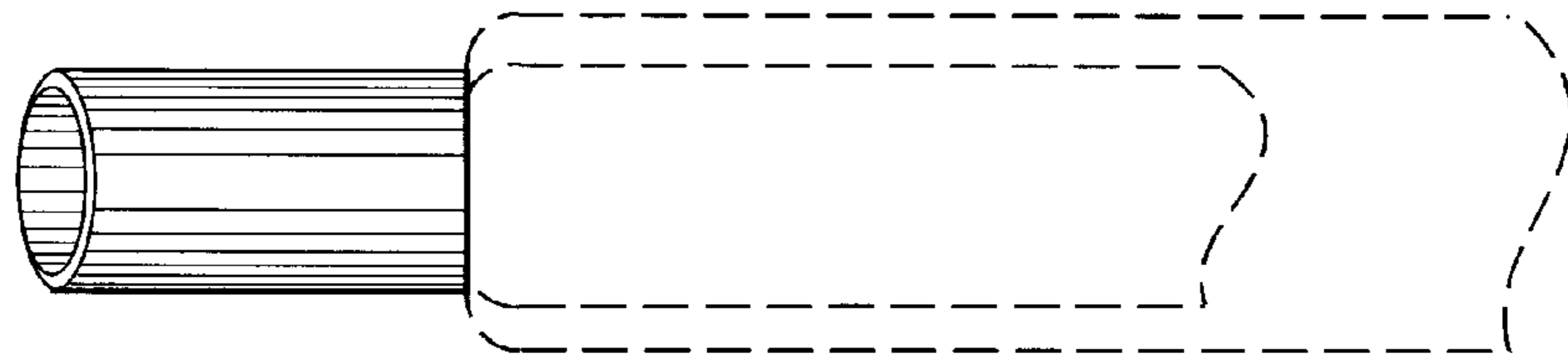
*Fig. 1*



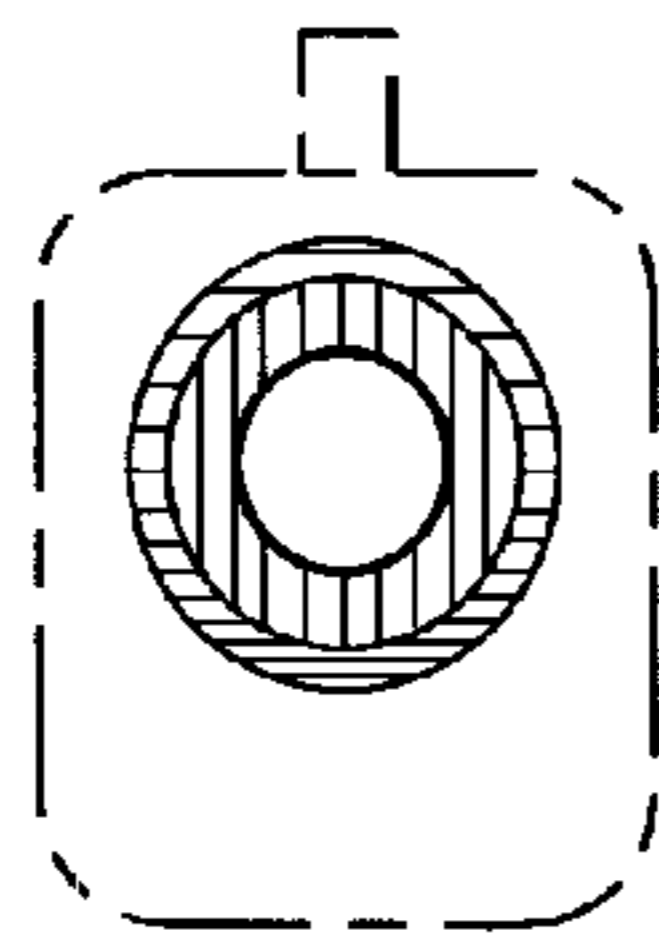
*Fig. 2*



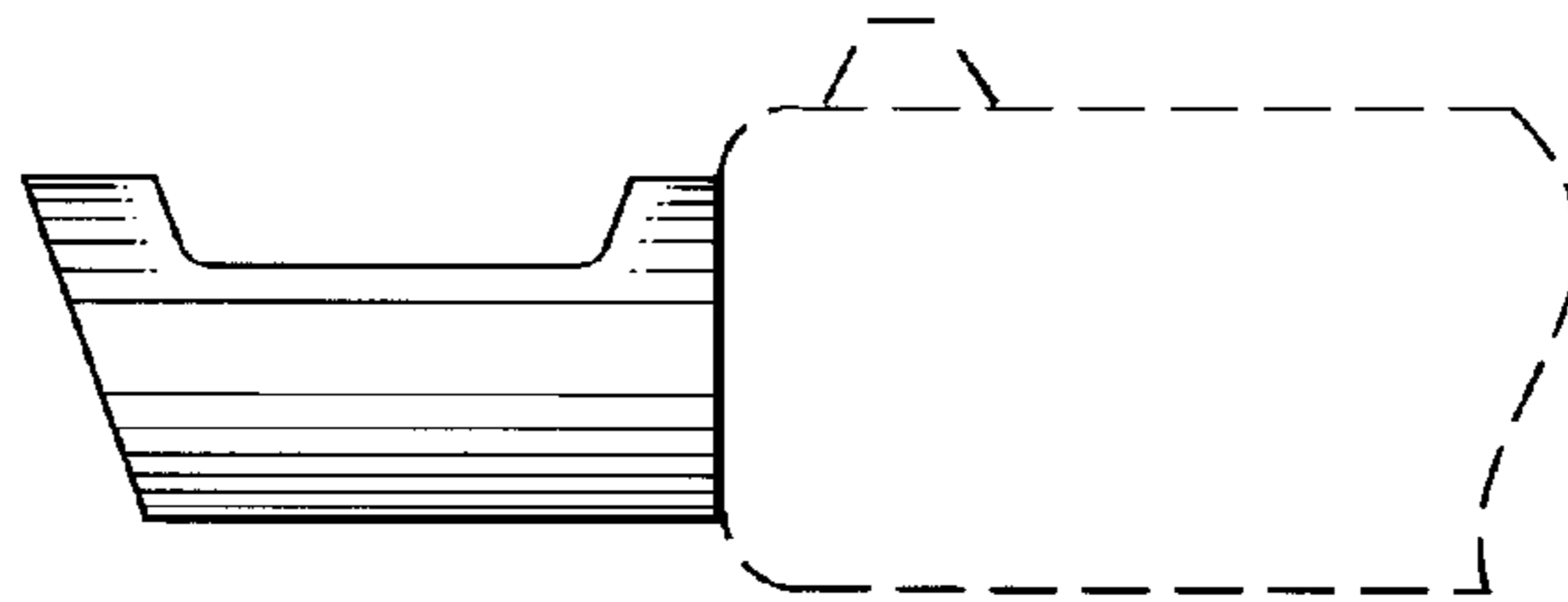
*Fig. 3*



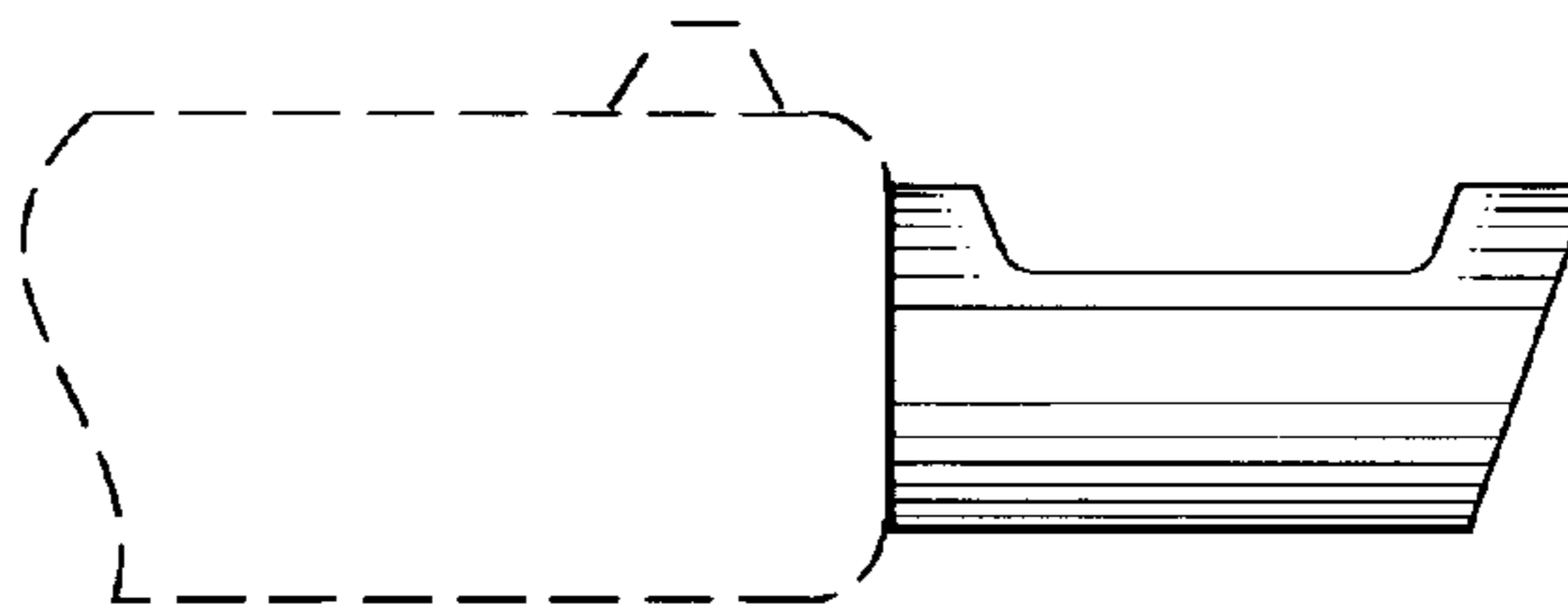
*Fig. 4*



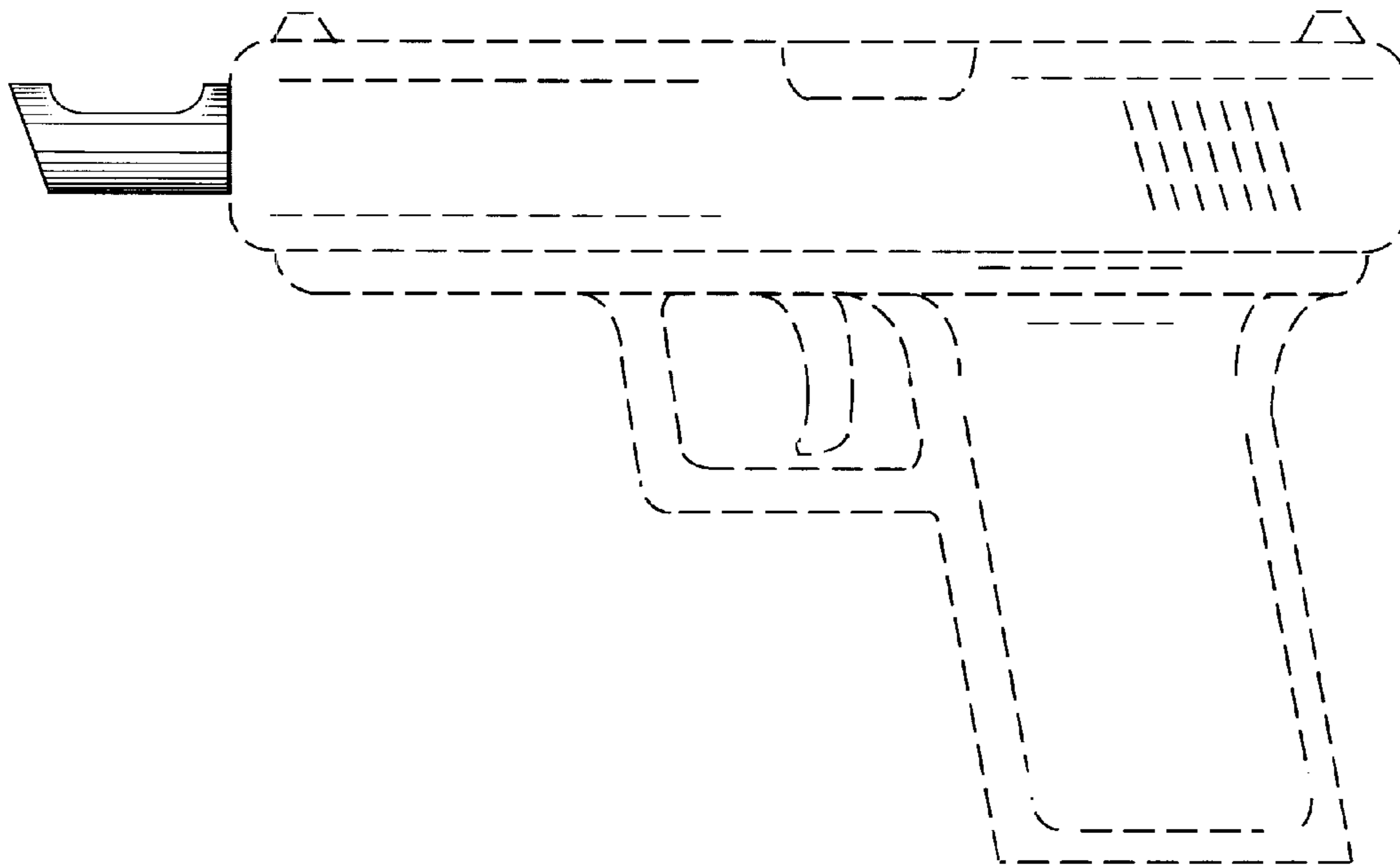
*Fig. 5*



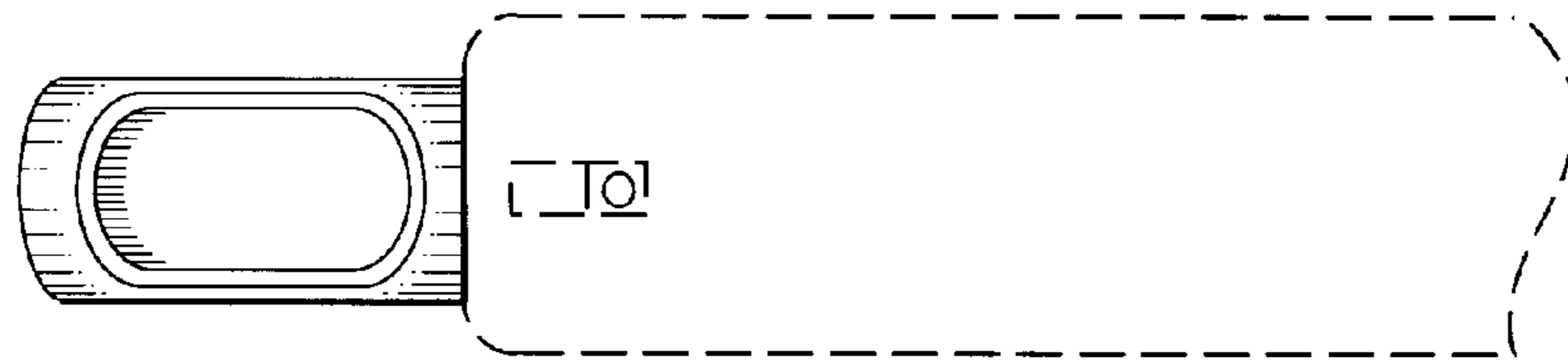
*Fig. 6*



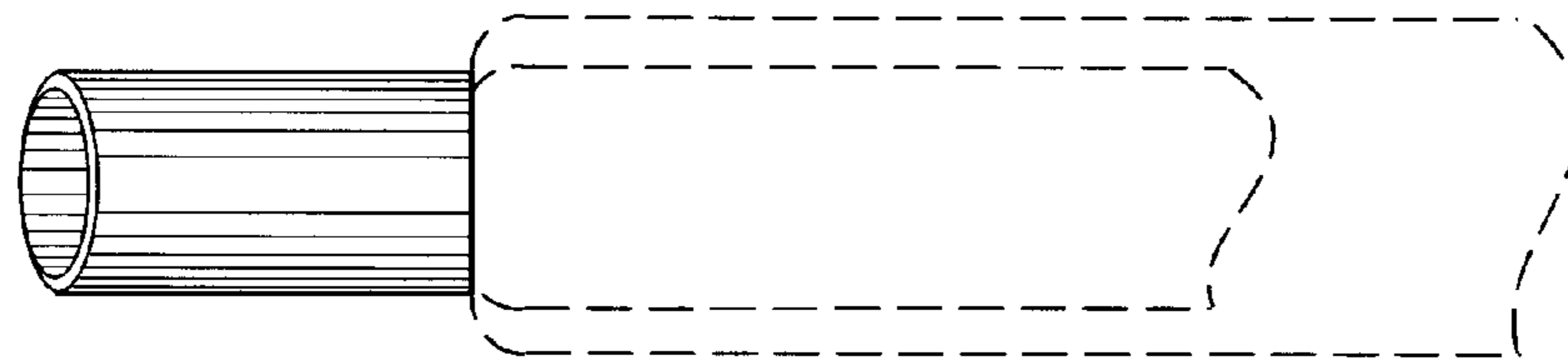
*Fig. 7*



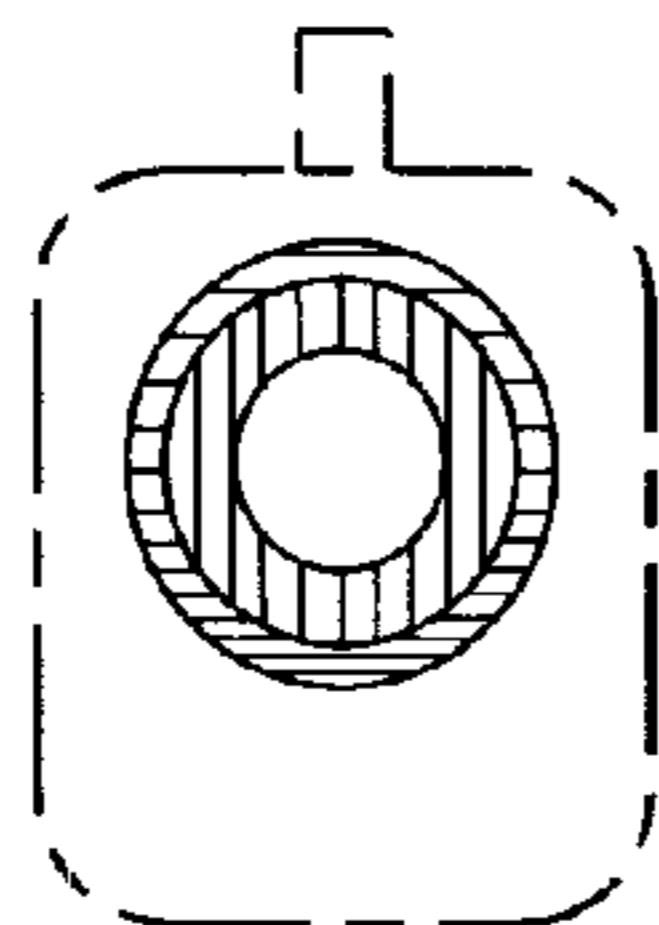
*Fig. 8*



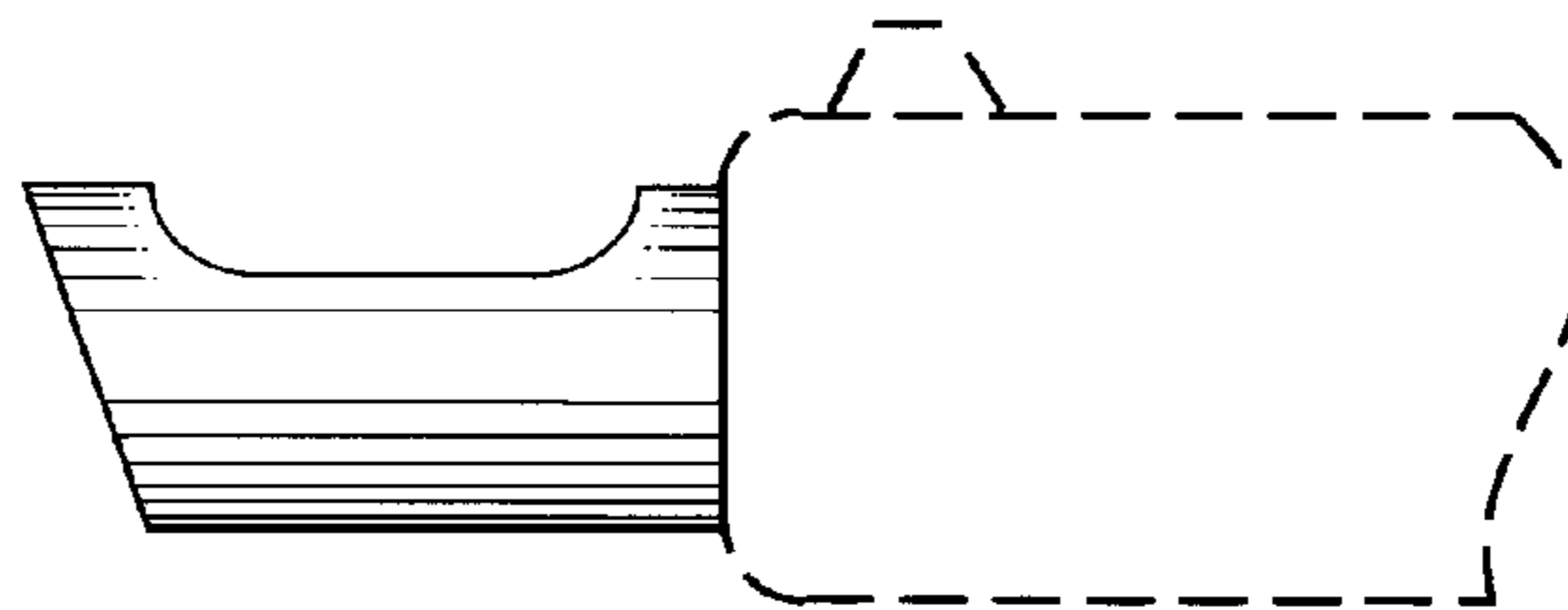
*Fig. 9*



*Fig. 10*



*Fig. 11*



*Fig. 12*

