



US00D532066S

(12) **United States Design Patent**  
**Tang**

(10) **Patent No.:** **US D532,066 S**

(45) **Date of Patent:** **\*\* Nov. 14, 2006**

(54) **PUTTER HEAD**

(75) **Inventor:** **Larry G. Tang**, Carlsbad, CA (US)

(73) **Assignee:** **Callaway Golf Company**, Carlsbad, CA (US)

(\*\*) **Term:** **14 Years**

(21) **Appl. No.:** **29/243,364**

(22) **Filed:** **Nov. 22, 2005**

(51) **LOC (8) Cl.** ..... **21-02**

(52) **U.S. Cl.** ..... **D21/736**

(58) **Field of Classification Search** ..... D21/736-746;  
473/324-331, 340, 341, 251-256  
See application file for complete search history.

(56) **References Cited**

**U.S. PATENT DOCUMENTS**

D251,026 S	*	2/1979	Cruger	.....	D21/744
D251,027 S	*	2/1979	Cruger	.....	D21/744
D280,004 S	*	8/1985	Worster et al.	.....	D21/744
D319,088 S	*	8/1991	Walton	.....	D21/743
D329,890 S	*	9/1992	Pinder	.....	D21/742

D335,315 S	*	5/1993	Shearer	.....	D21/743
D335,316 S	*	5/1993	Shearer	.....	D21/743
D495,389 S	*	8/2004	Pinder	.....	D21/736

\* cited by examiner

*Primary Examiner*—Mitchell Siegel

(74) *Attorney, Agent, or Firm*—Michael A. Catania; Elaine H. Lo.

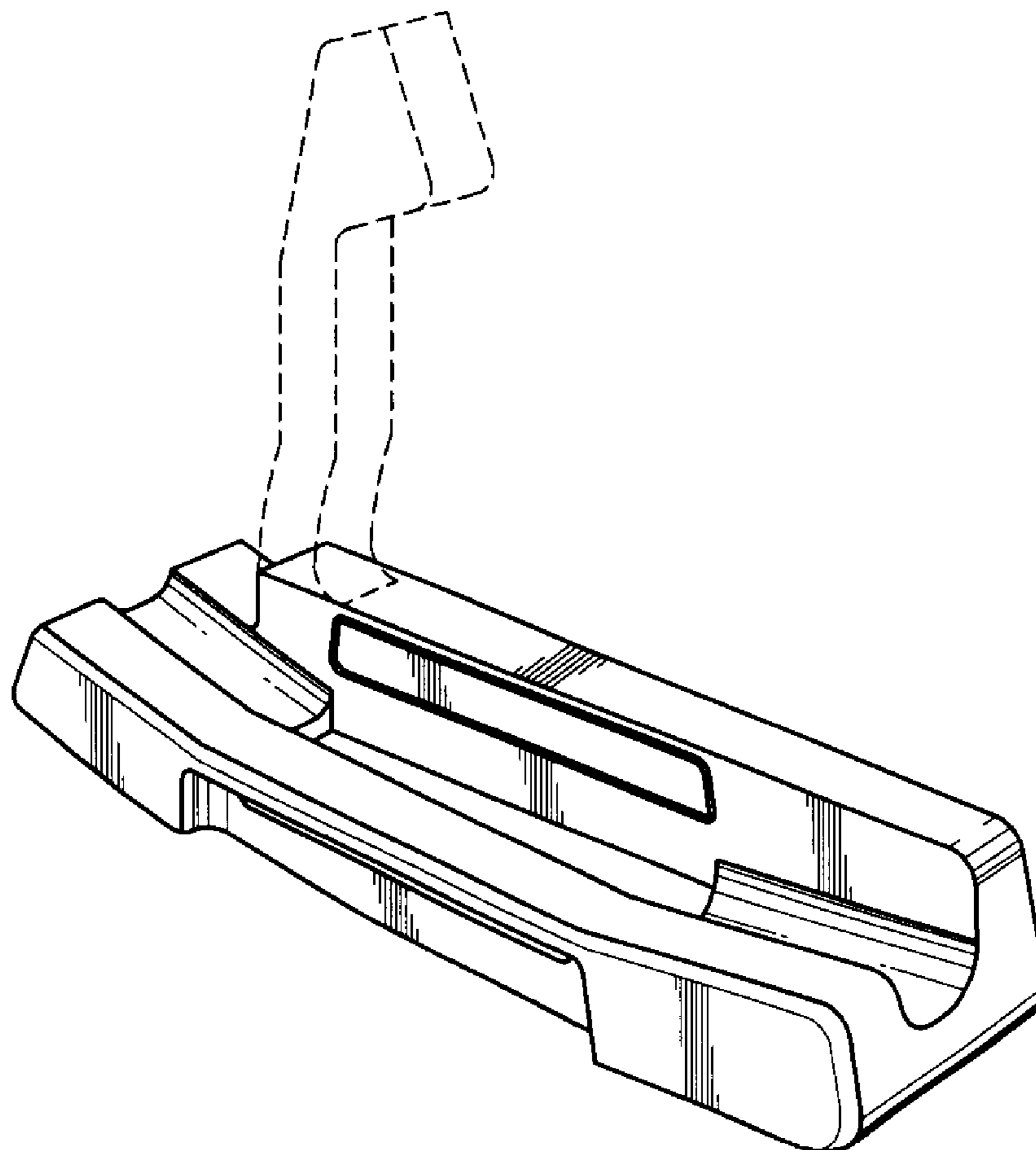
(57) **CLAIM**

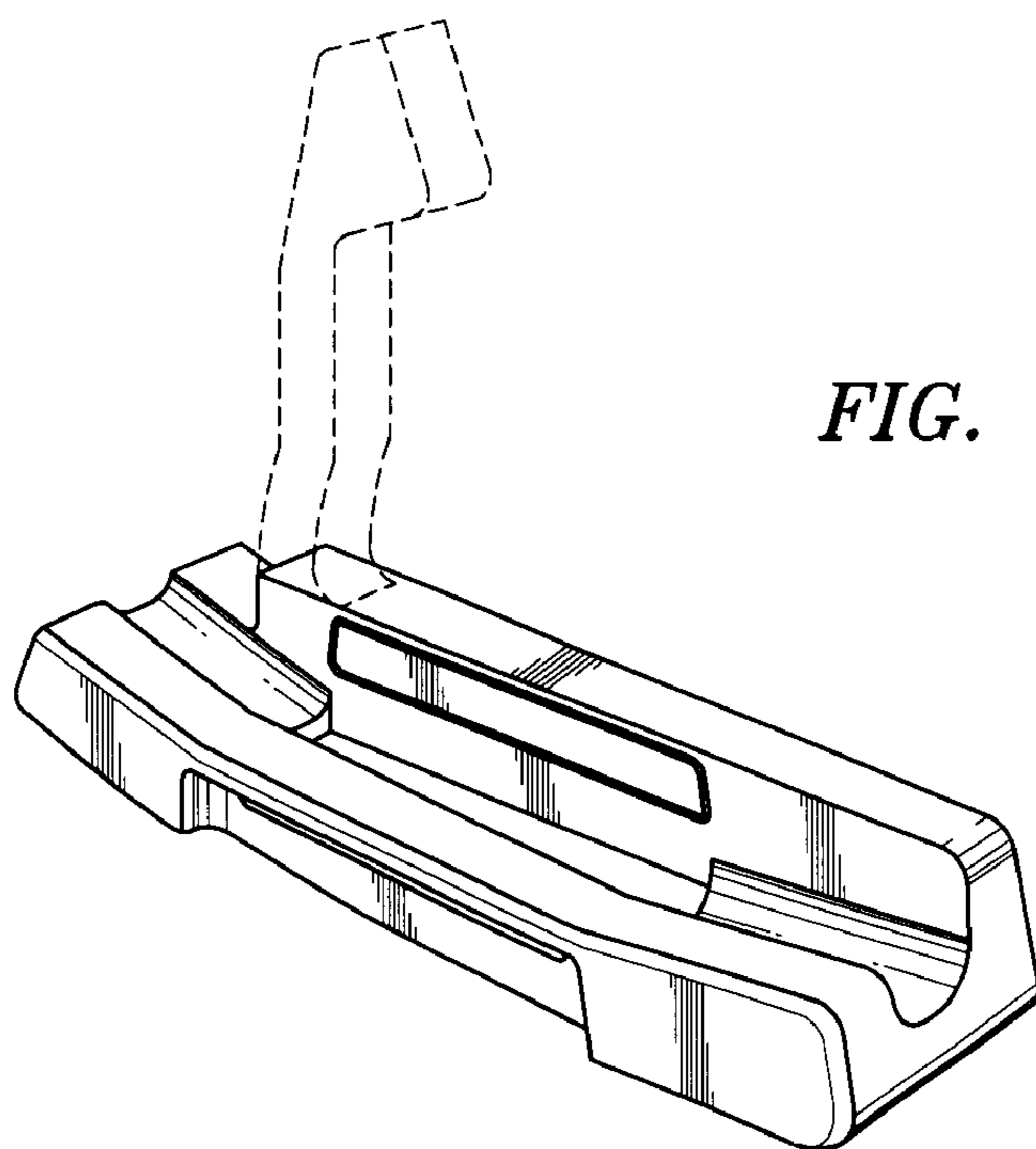
The ornamental design for a putter head, as shown and described.

**DESCRIPTION**

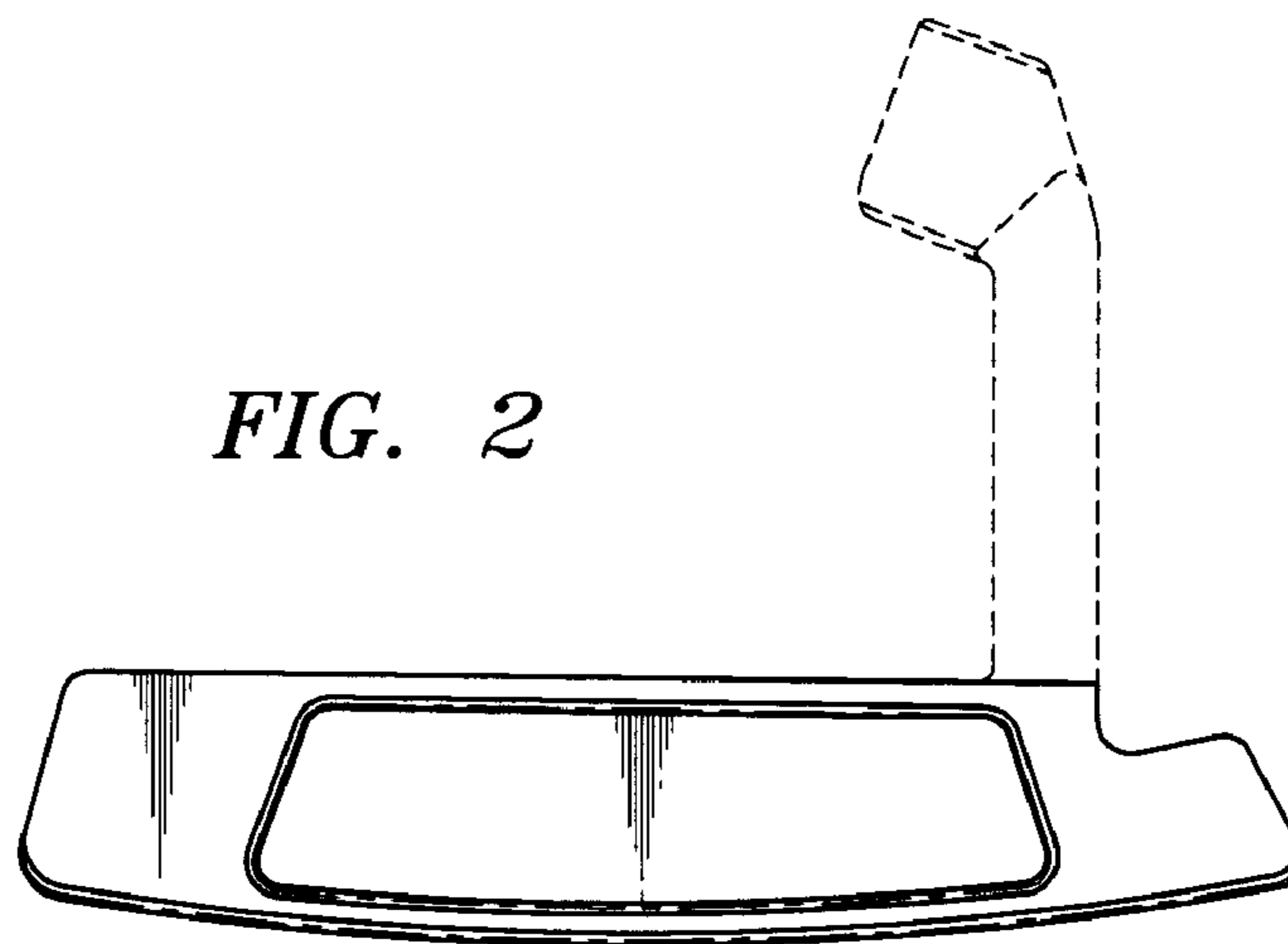
FIG. 1 is a perspective view of the putter head;  
FIG. 2 is a front view of the putter head;  
FIG. 3 is a back view of the putter head;  
FIG. 4 is a top plan view of the putter head;  
FIG. 5 is a bottom plan view of the putter head;  
FIG. 6 is a toe view of the putter head; and,  
FIG. 7 is a heel side view of the putter head.  
The broken line showing of is for illustrative purposes only and forms no part of the claimed design.

**1 Claim, 2 Drawing Sheets**

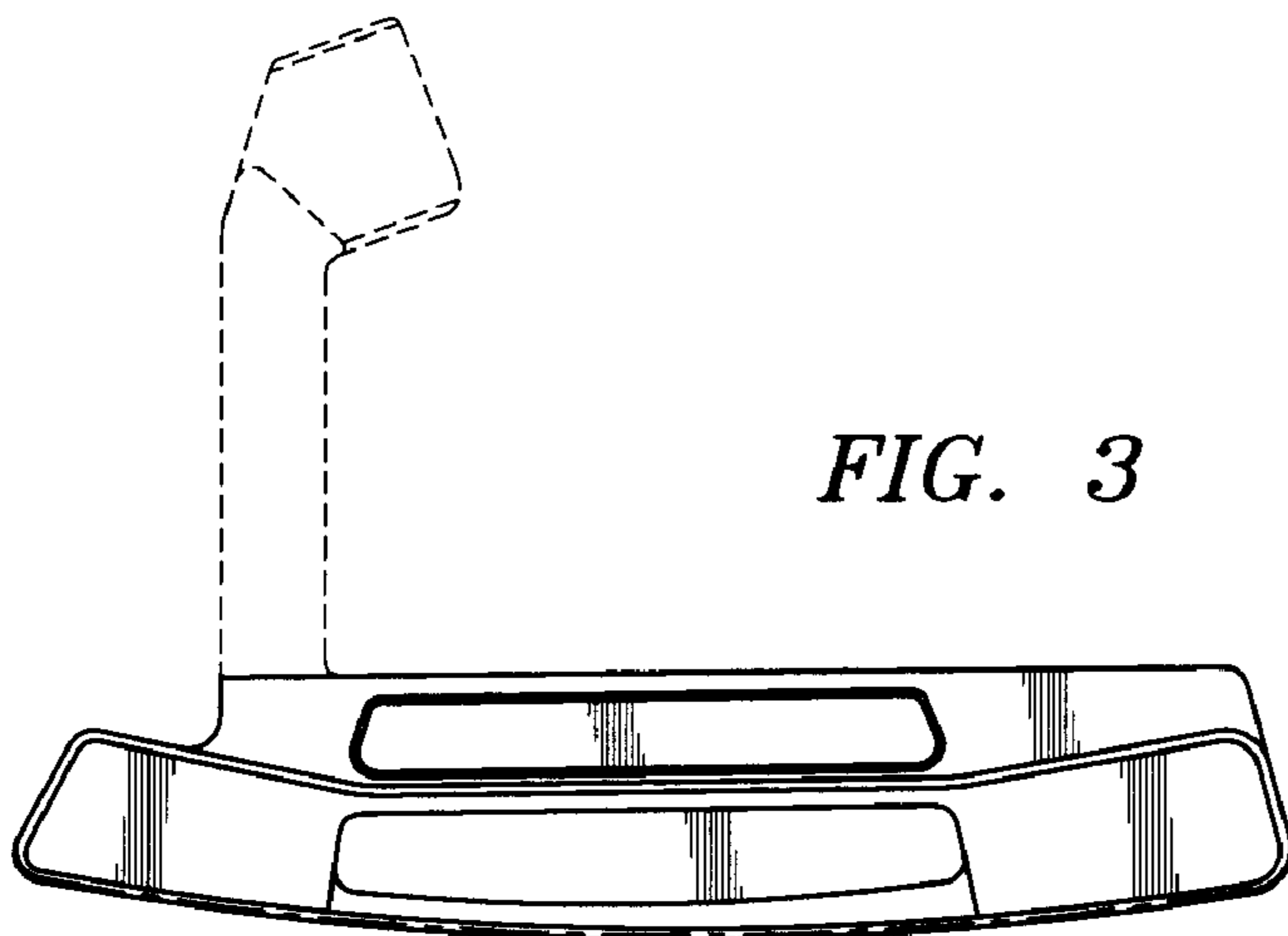




*FIG. 1*



*FIG. 2*



*FIG. 3*

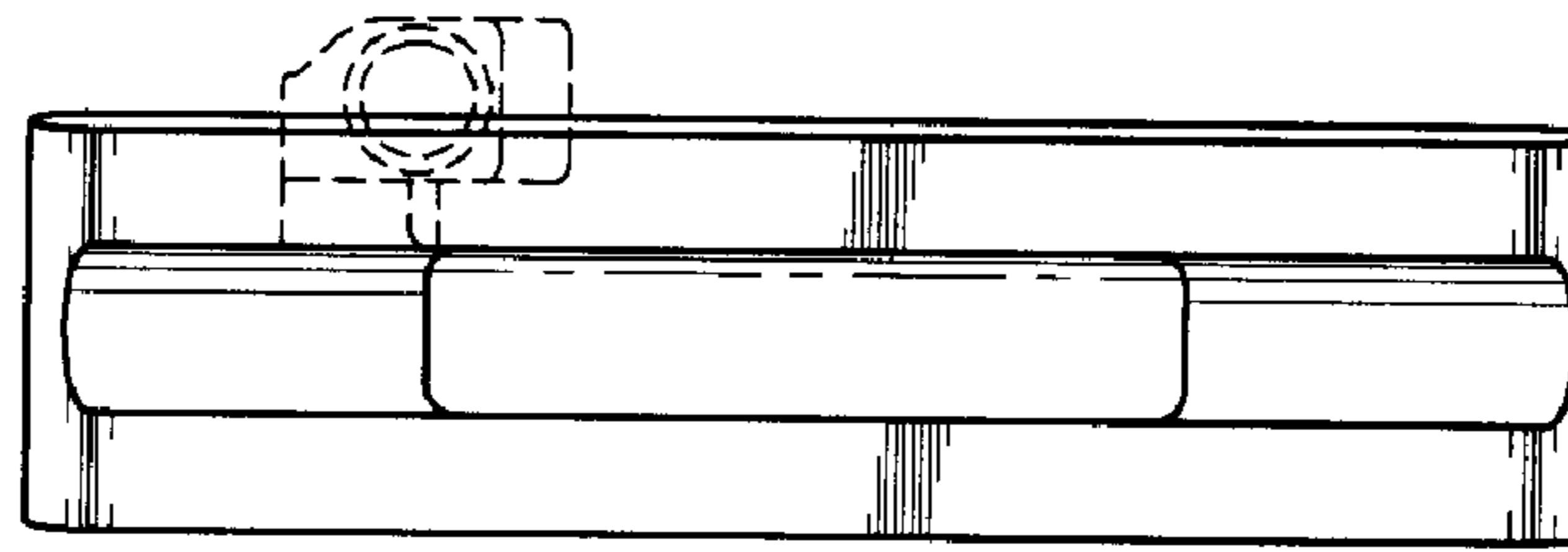


FIG. 4

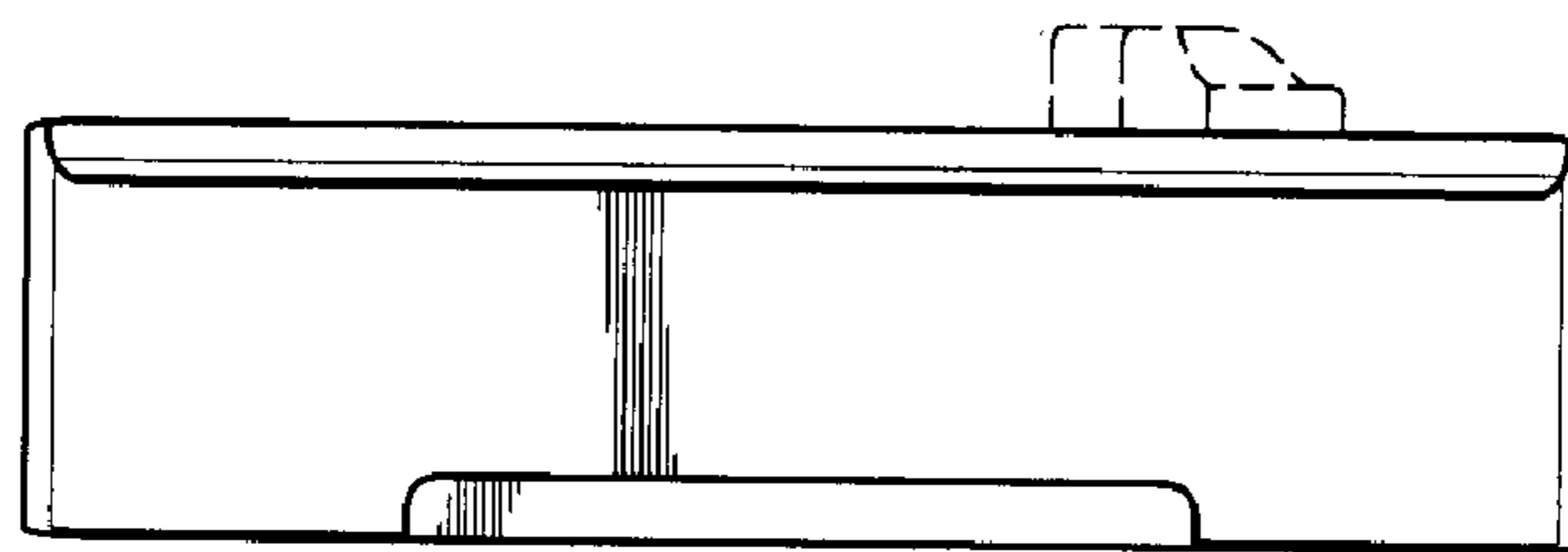


FIG. 5

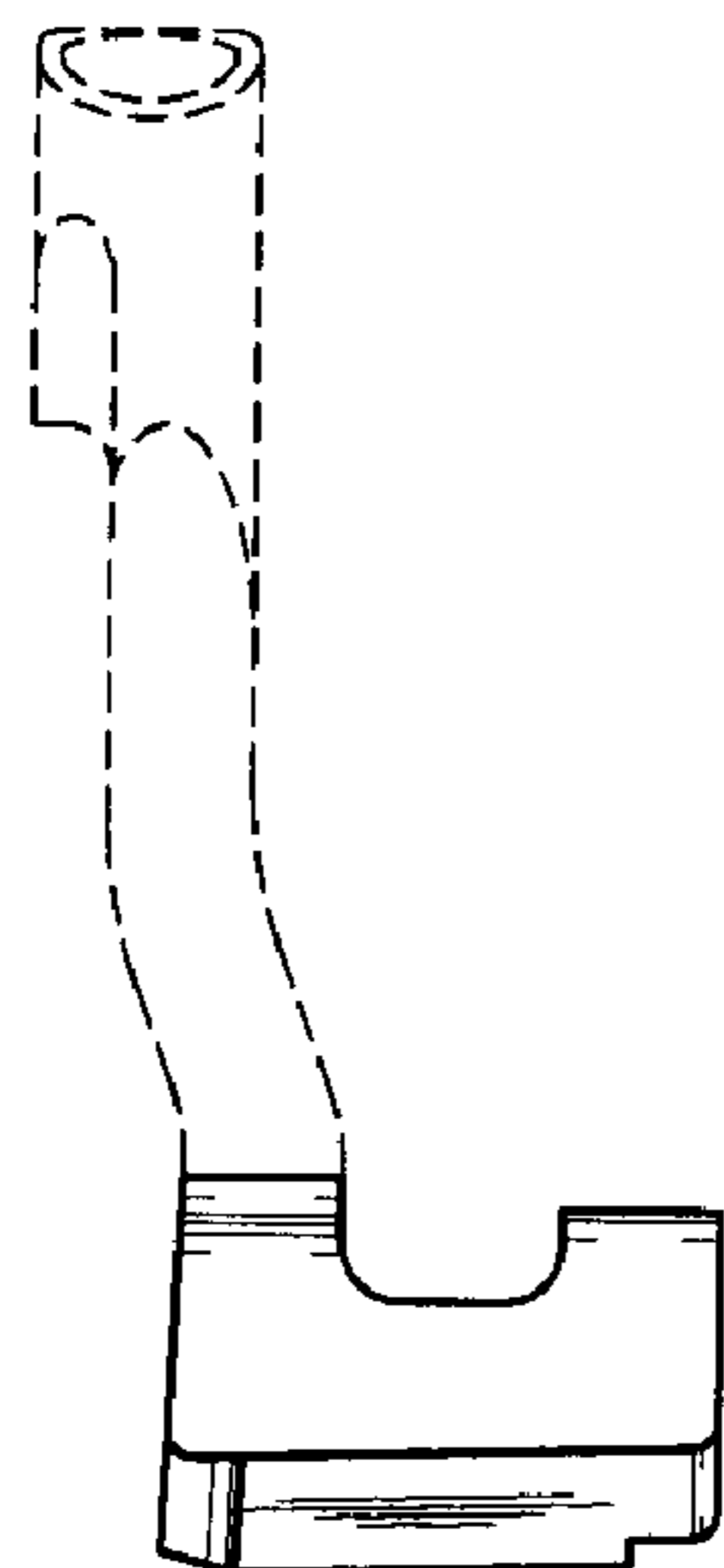


FIG. 6

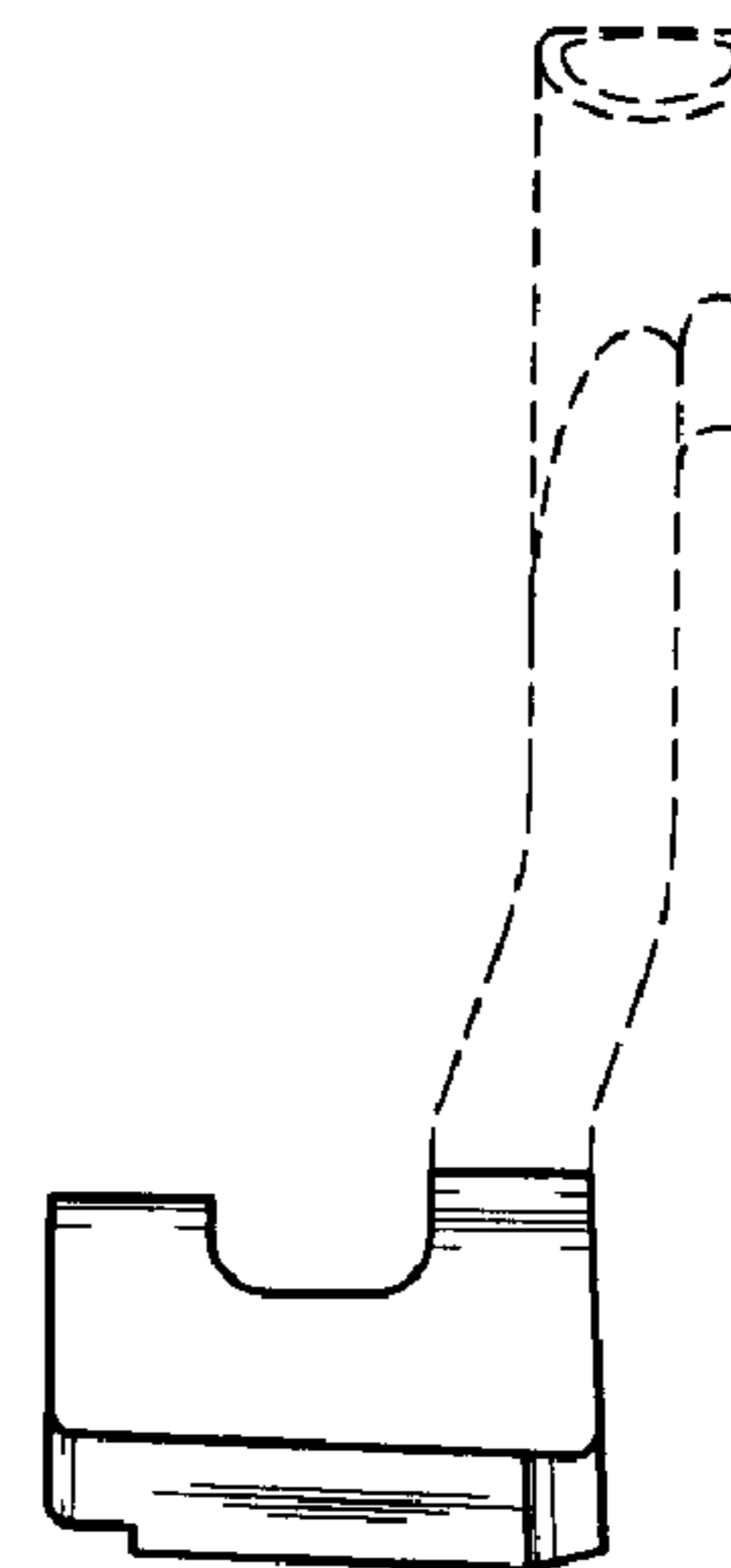


FIG. 7