



US00D532063S

(12) **United States Design Patent**  
**Kim et al.**

(10) **Patent No.:** **US D532,063 S**

(45) **Date of Patent:** **\*\* Nov. 14, 2006**

(54) **SPINNING BICYCLE**

6,612,970 B1 9/2003 Forcillo  
6,669,603 B1 12/2003 Forcillo

(75) Inventors: **Myong Han Kim**, Orange, CA (US);  
**Kevin Patrick Corbalis**, Tustin, CA  
(US); **John Cook**, Ventura, CA (US);  
**Brian Koops**, Corona, CA (US)

**OTHER PUBLICATIONS**

Picture of Star Trac Johnny G. Spinner.  
Picture of Star Trac V-bike® Spinner®.

(73) Assignee: **Unisen, Inc.**, Irvine, CA (US)

\* cited by examiner

(\*\*) Term: **14 Years**

*Primary Examiner*—Philip S. Hyder

(21) Appl. No.: **29/234,753**

(74) *Attorney, Agent, or Firm*—Knobbe, Martens Olson &  
Bear LLP

(22) Filed: **Jul. 21, 2005**

(57) **CLAIM**

(51) **LOC (8) Cl.** ..... **21-02**

The ornamental design for a spinning bicycle, as shown and  
described.

(52) **U.S. Cl.** ..... **D21/697**

(58) **Field of Classification Search** ..... D21/662,  
D21/663, 664, 665, 666, 667, 668, 670; 482/57,  
482/63, 64, 65

**DESCRIPTION**

See application file for complete search history.

FIG. 1 is a perspective view of the top, front and right side  
of a spinning bicycle.

(56) **References Cited**

**U.S. PATENT DOCUMENTS**

D291,462 S	8/1987	Aalto	
D372,284 S	* 7/1996	Wang et al.	..... D21/667
D380,796 S	* 7/1997	Wang et al.	..... D21/667
D382,924 S	* 8/1997	Wu	..... D21/667
D382,925 S	8/1997	Wu	
D460,794 S	* 7/2002	Baker	..... D21/667
6,491,606 B1	12/2002	Swift	

FIG. 2 is a perspective view of the top, rear and left side of  
the spinning bicycle of FIG. 1.

FIG. 3 is a right side view of the spinning bicycle of FIG. 1.

FIG. 4 is a left side view of the spinning bicycle of FIG. 1.

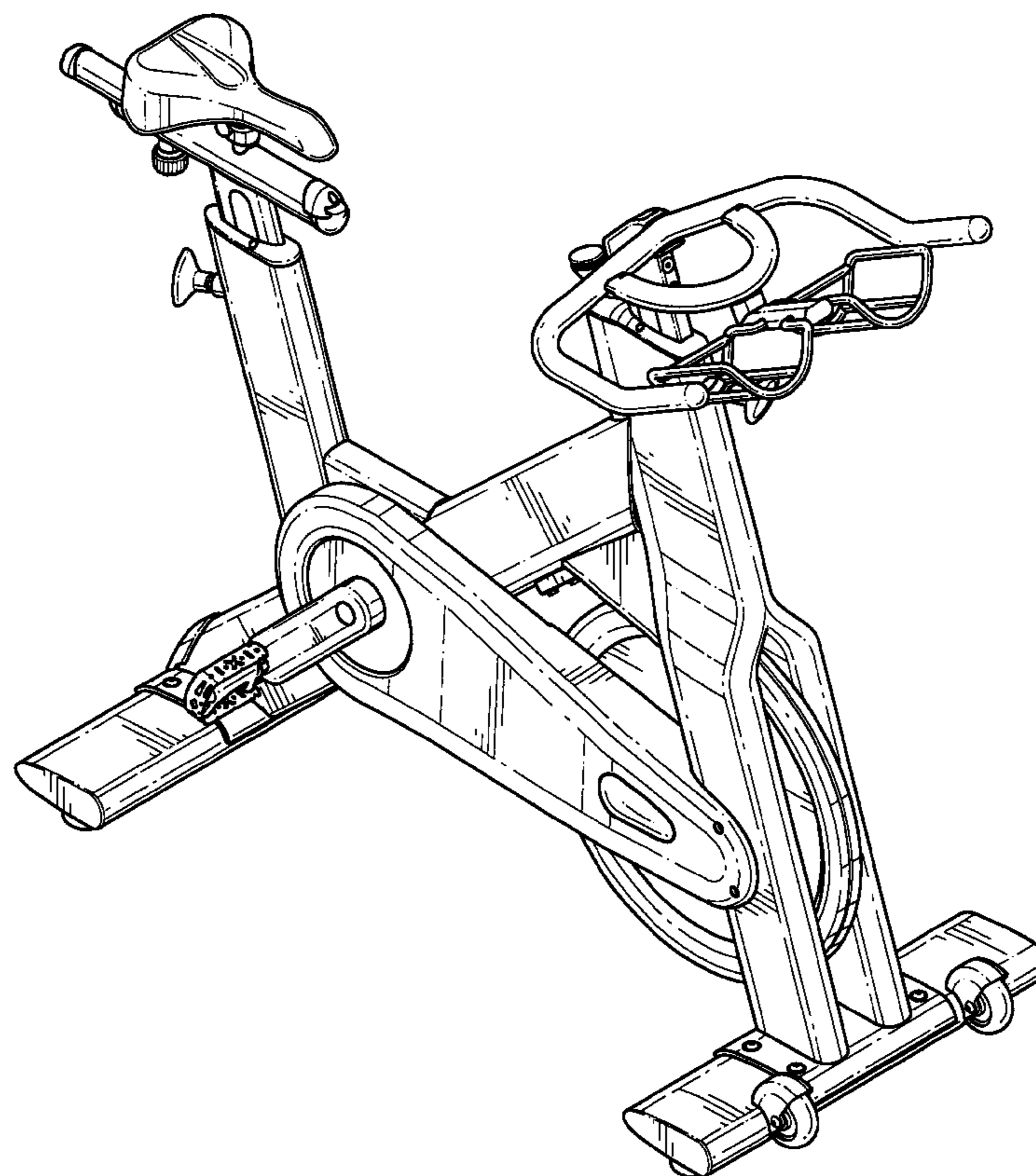
FIG. 5 is a front view of the spinning bicycle of FIG. 1.

FIG. 6 is a rear view of the spinning bicycle of FIG. 1.

FIG. 7 is a top view of the spinning bicycle of FIG. 1; and,

FIG. 8 is a bottom view of the spinning bicycle of FIG. 1.

**1 Claim, 7 Drawing Sheets**



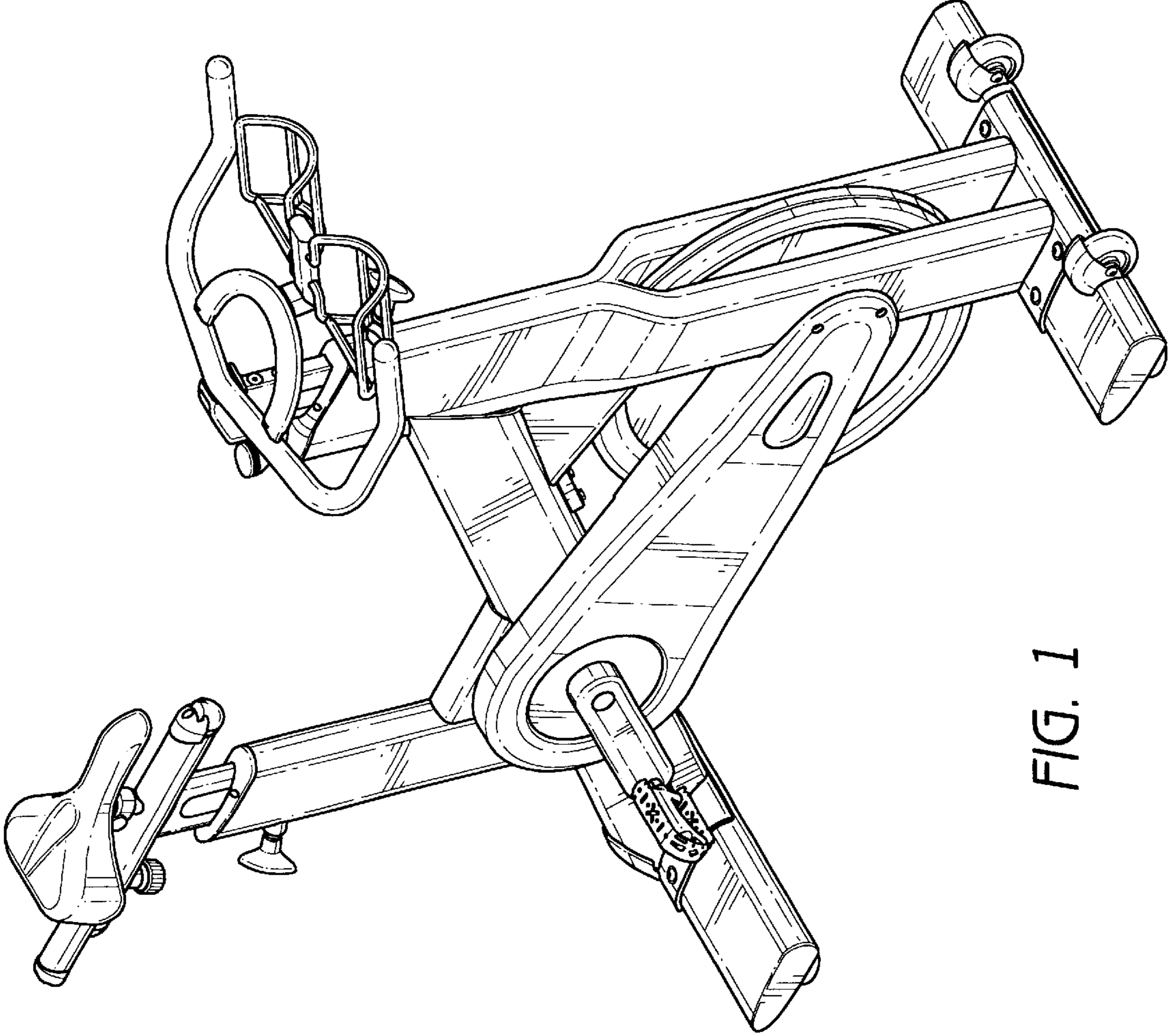


FIG. 1

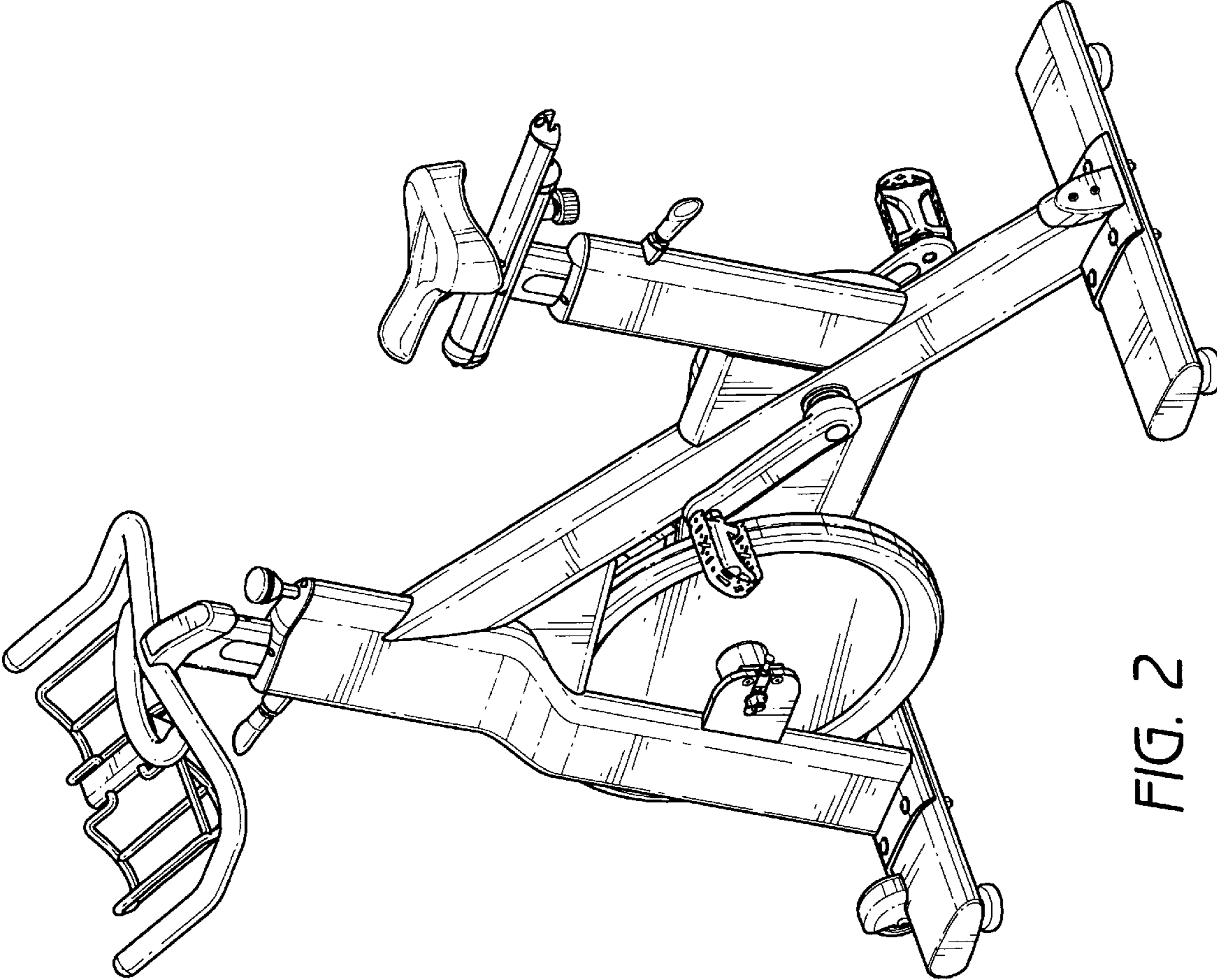


FIG. 2

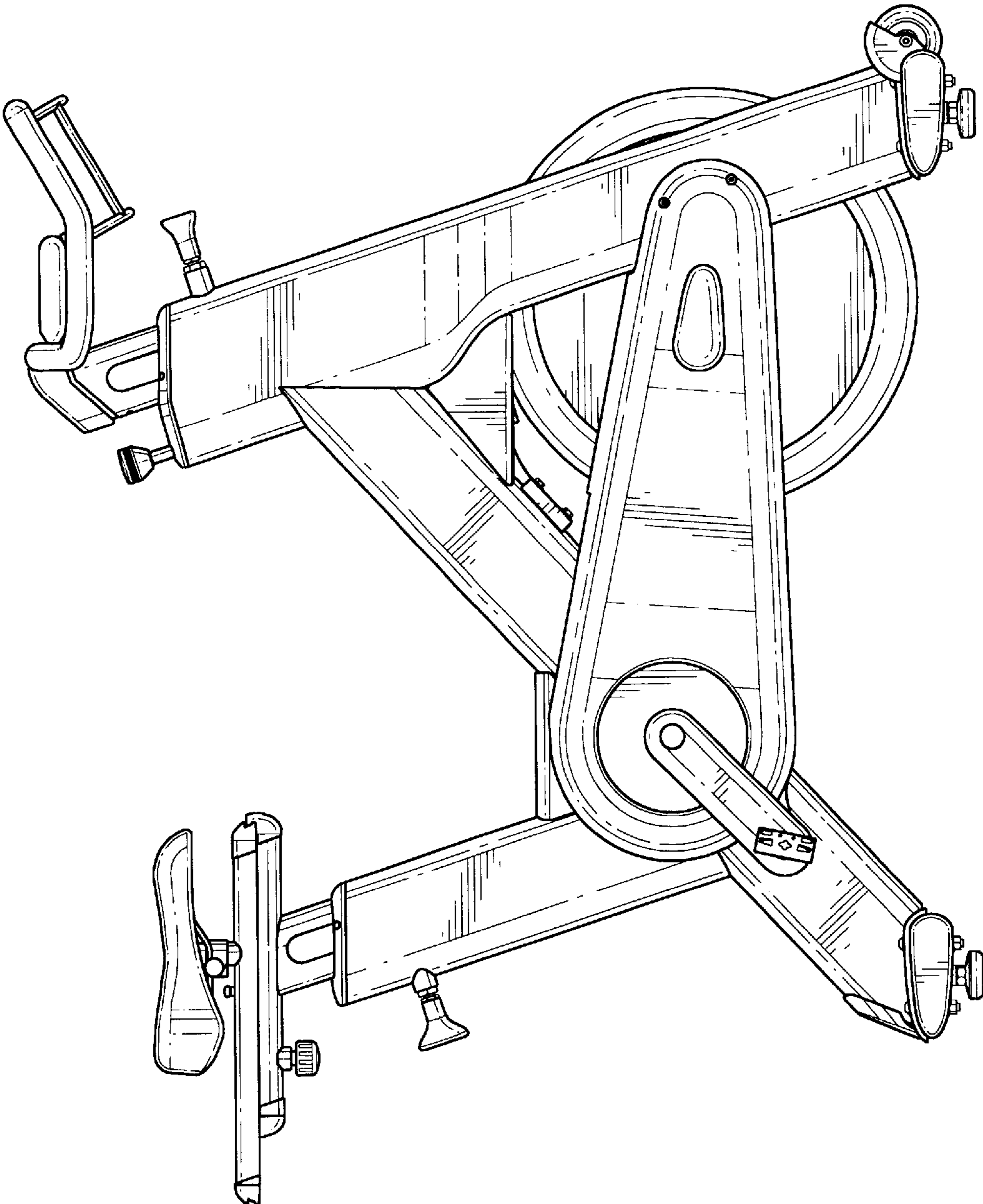


FIG. 3

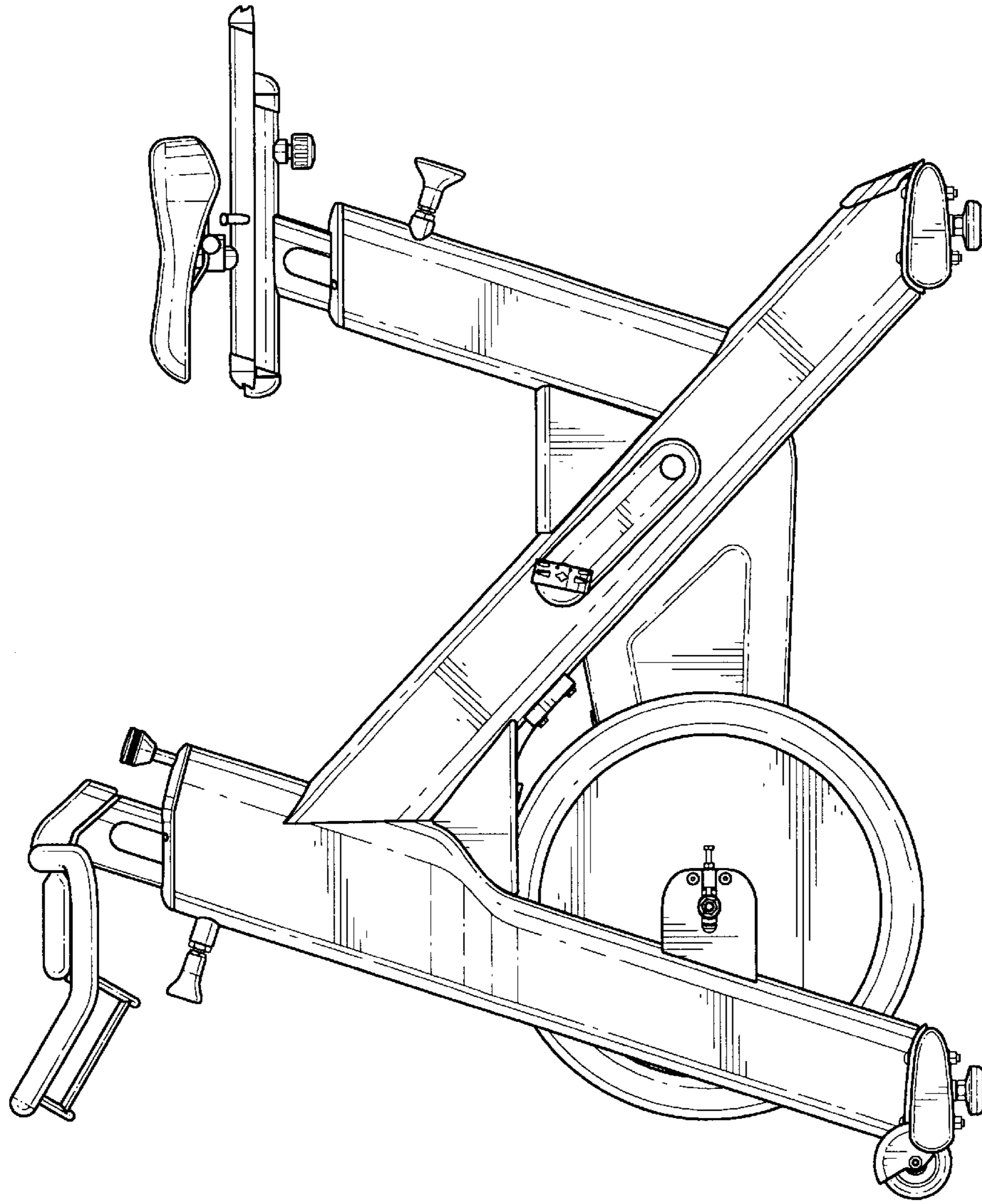


FIG. 4

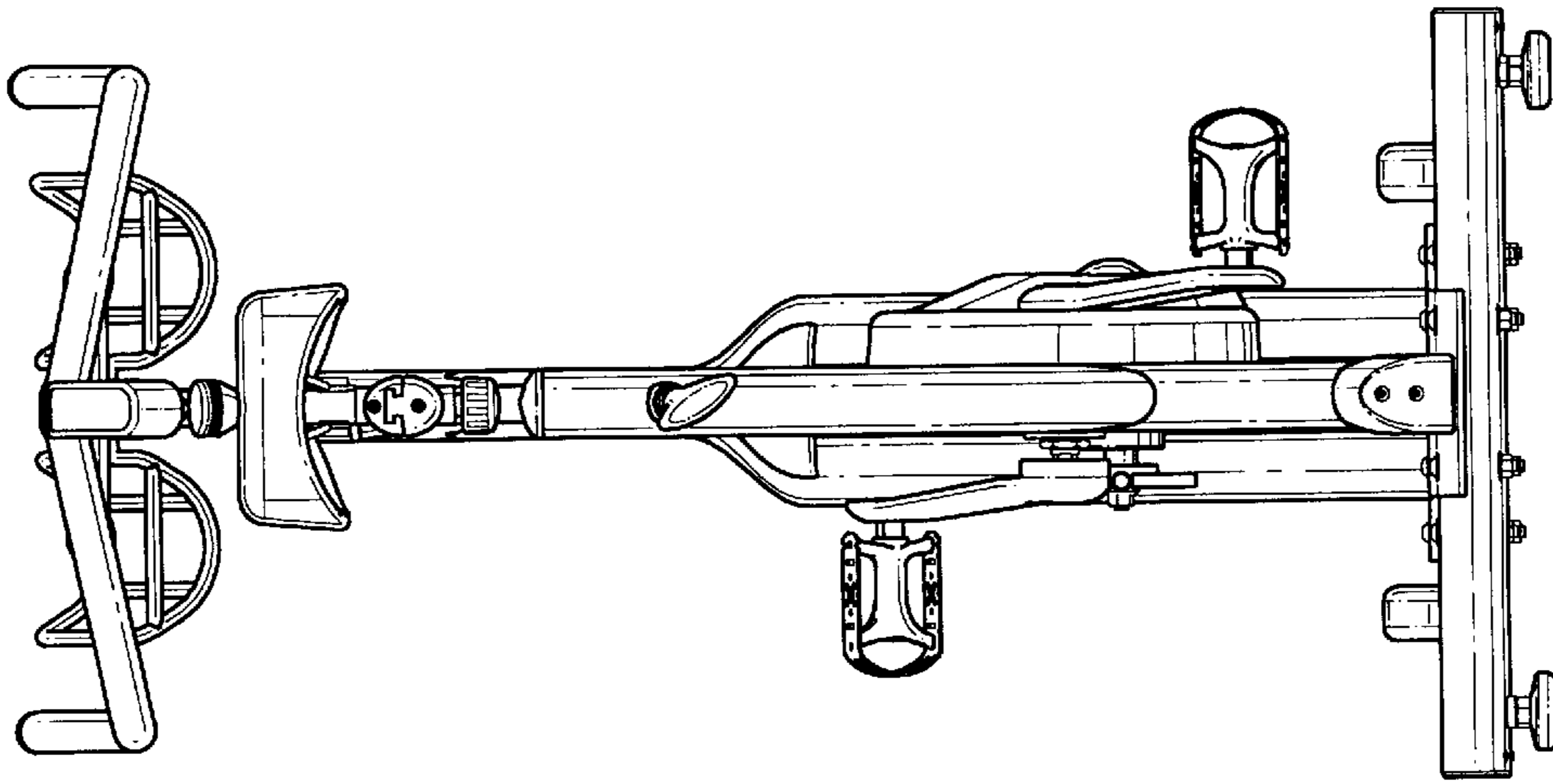


FIG. 6

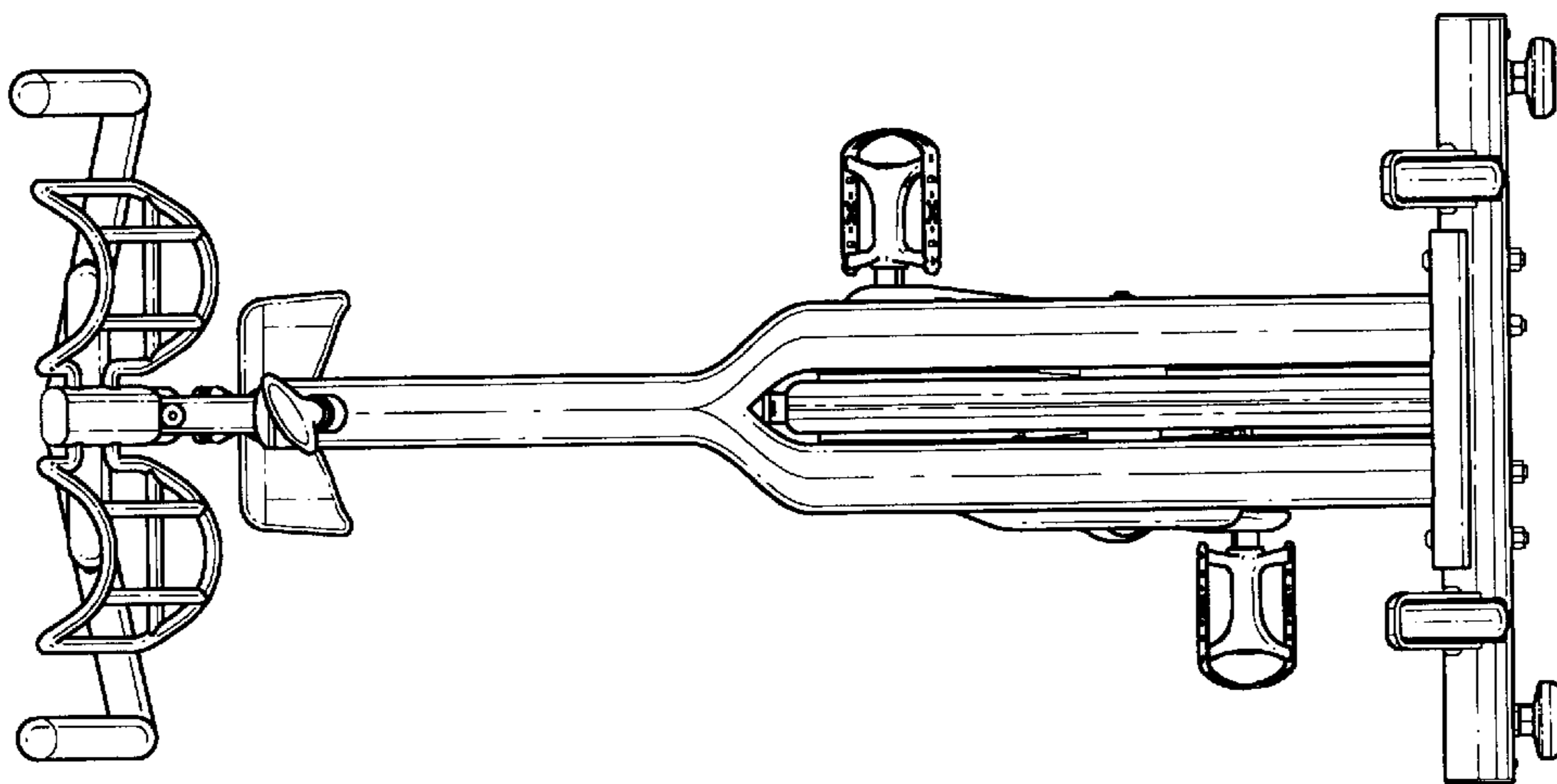


FIG. 5

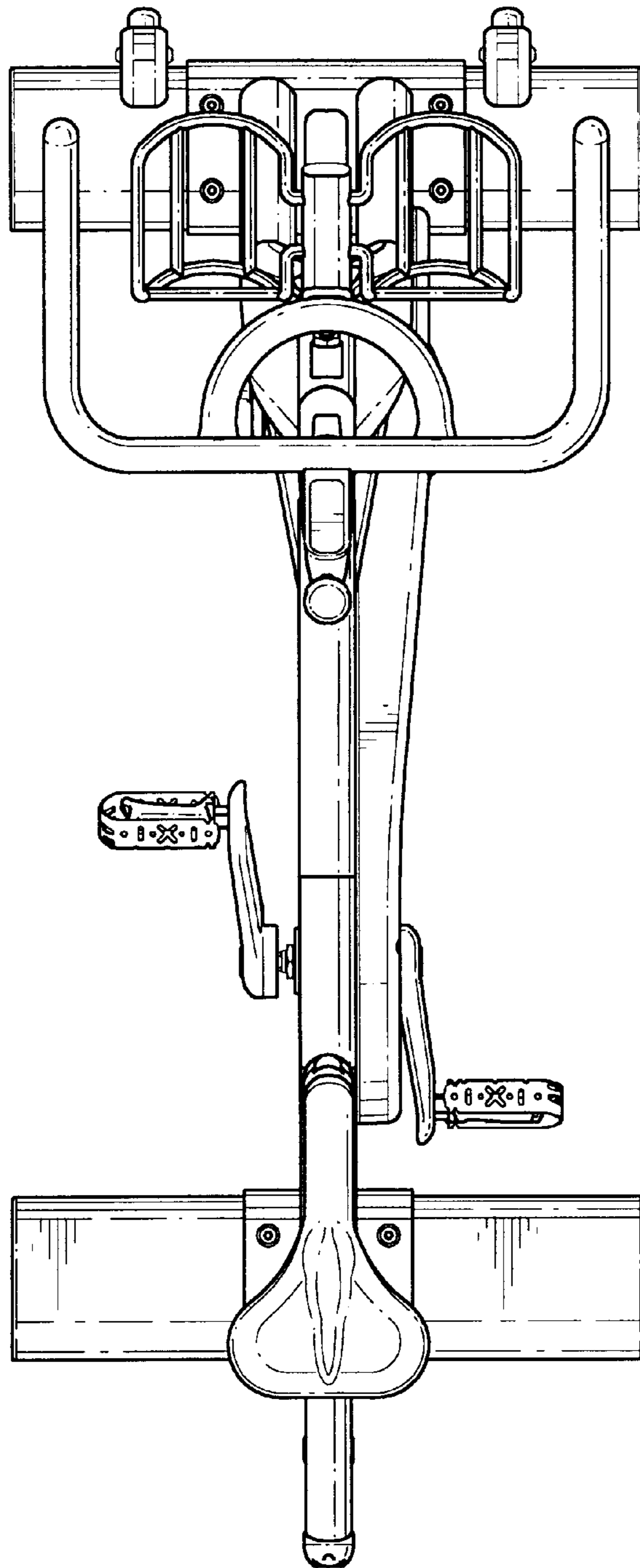


FIG. 7

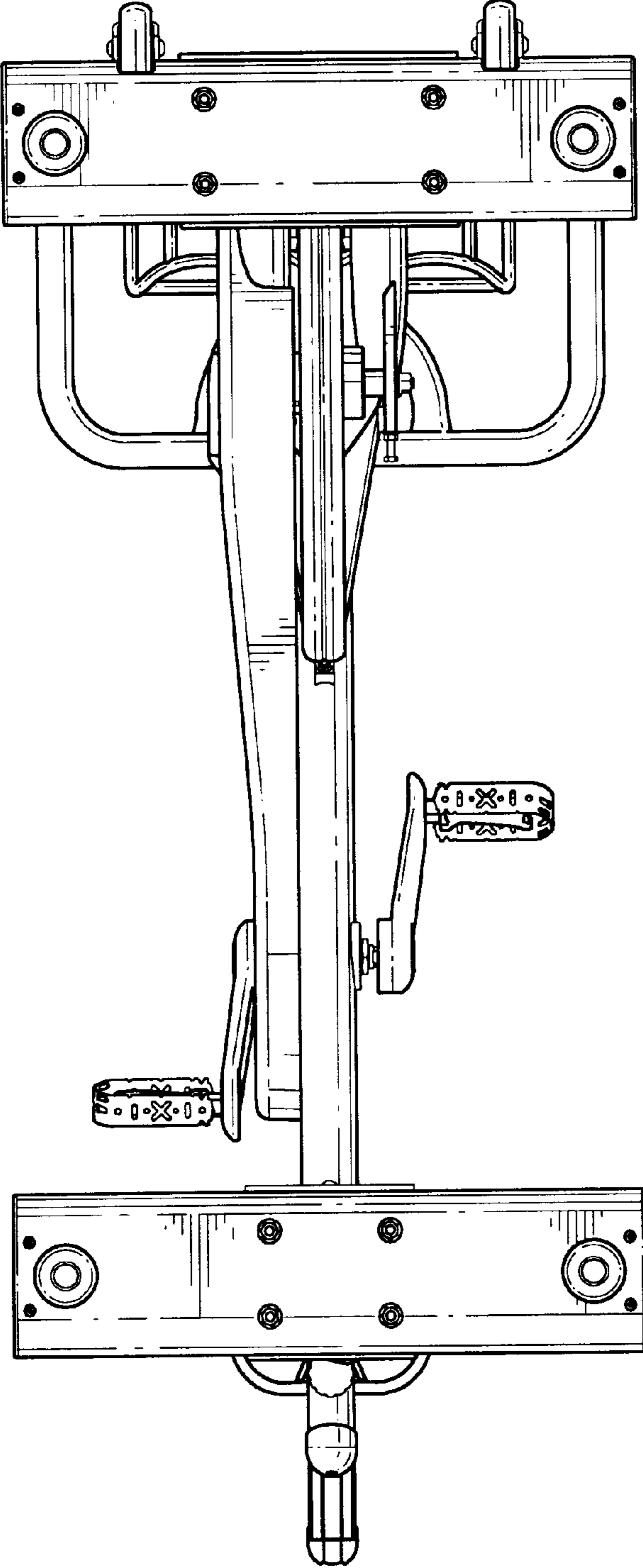


FIG. 8