



US00D532055S

(12) **United States Design Patent**  
**Lin**

(10) **Patent No.:** **US D532,055 S**

(45) **Date of Patent:** **\*\* Nov. 14, 2006**

(54) **TOY CLOCK**

D473,901 S \* 4/2003 Stoneberg ..... D21/531  
D504,827 S \* 5/2005 Lavoie ..... D10/6

(75) Inventor: **Wen-Yuan Lin**, Taipei County (TW)

\* cited by examiner

(73) Assignee: **Youth Toy Enterprise Co., Ltd.**, Taipei (TW)

*Primary Examiner*—Holly Baynham  
*Assistant Examiner*—Cynthia M. Chin

(\*\*) Term: **14 Years**

(74) *Attorney, Agent, or Firm*—Birch, Stewart, Kolasch and Birch, LLP

(21) Appl. No.: **29/243,221**

(57) **CLAIM**

(22) Filed: **Nov. 22, 2005**

The ornamental design for a toy clock, as shown and described.

(51) **LOC (8) Cl.** ..... **21-01**

(52) **U.S. Cl.** ..... **D21/531**

(58) **Field of Classification Search** ..... D21/483,  
D21/531; D10/1, 6, 7, 22, 23; 368/45, 228,  
368/285, 316

See application file for complete search history.

**DESCRIPTION**

FIG. 1 is a front perspective view of the toy clock showing my new design;

FIG. 2 is a rear perspective view of the toy clock showing my new design;

FIG. 3 is a front elevation view thereof;

FIG. 4 is a rear elevation view thereof;

FIG. 5 is a left side elevation view thereof;

FIG. 6 is a right side elevation view thereof;

FIG. 7 is a top plan view thereof; and,

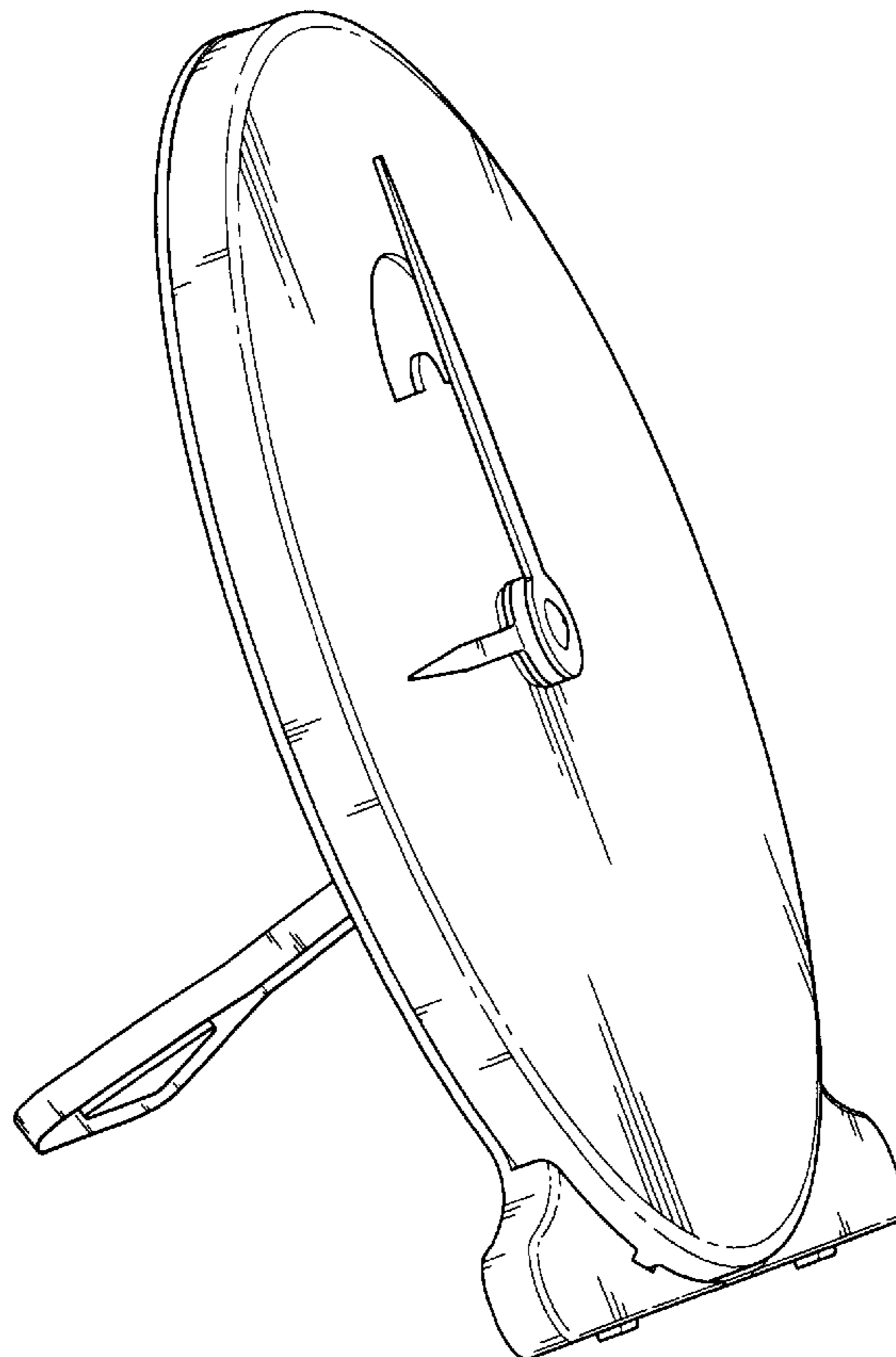
FIG. 8 is a bottom view thereof.

(56) **References Cited**

U.S. PATENT DOCUMENTS

D64,010 S \* 2/1924 Hartley ..... D10/19  
D158,098 S \* 4/1950 Kaufman ..... D10/9  
2,799,986 A \* 7/1957 Gianascol ..... 368/316  
D197,442 S \* 2/1964 Solecki ..... D10/53  
D337,951 S \* 8/1993 Bruzzi ..... D10/23

**1 Claim, 6 Drawing Sheets**



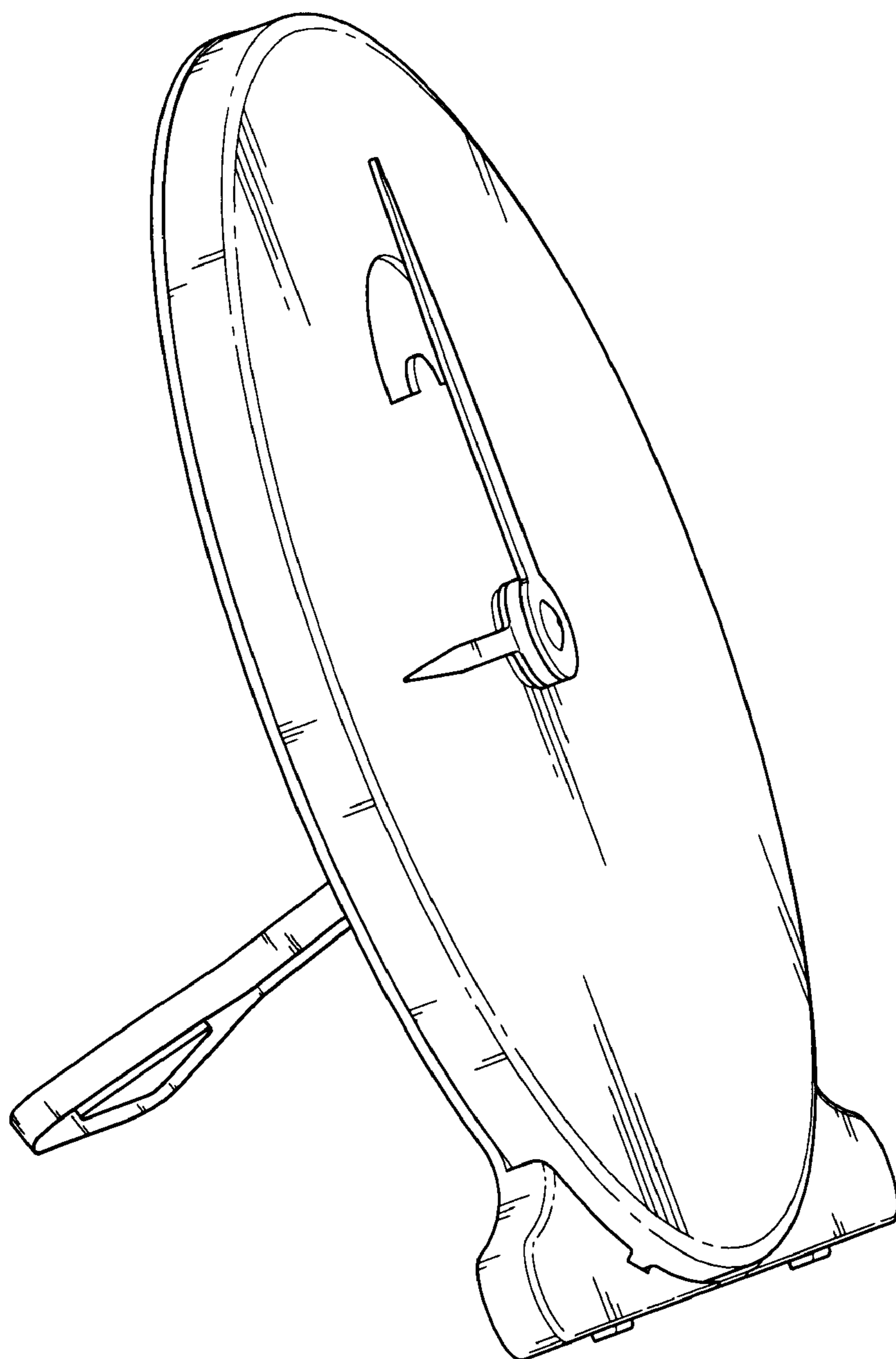


Fig. 1

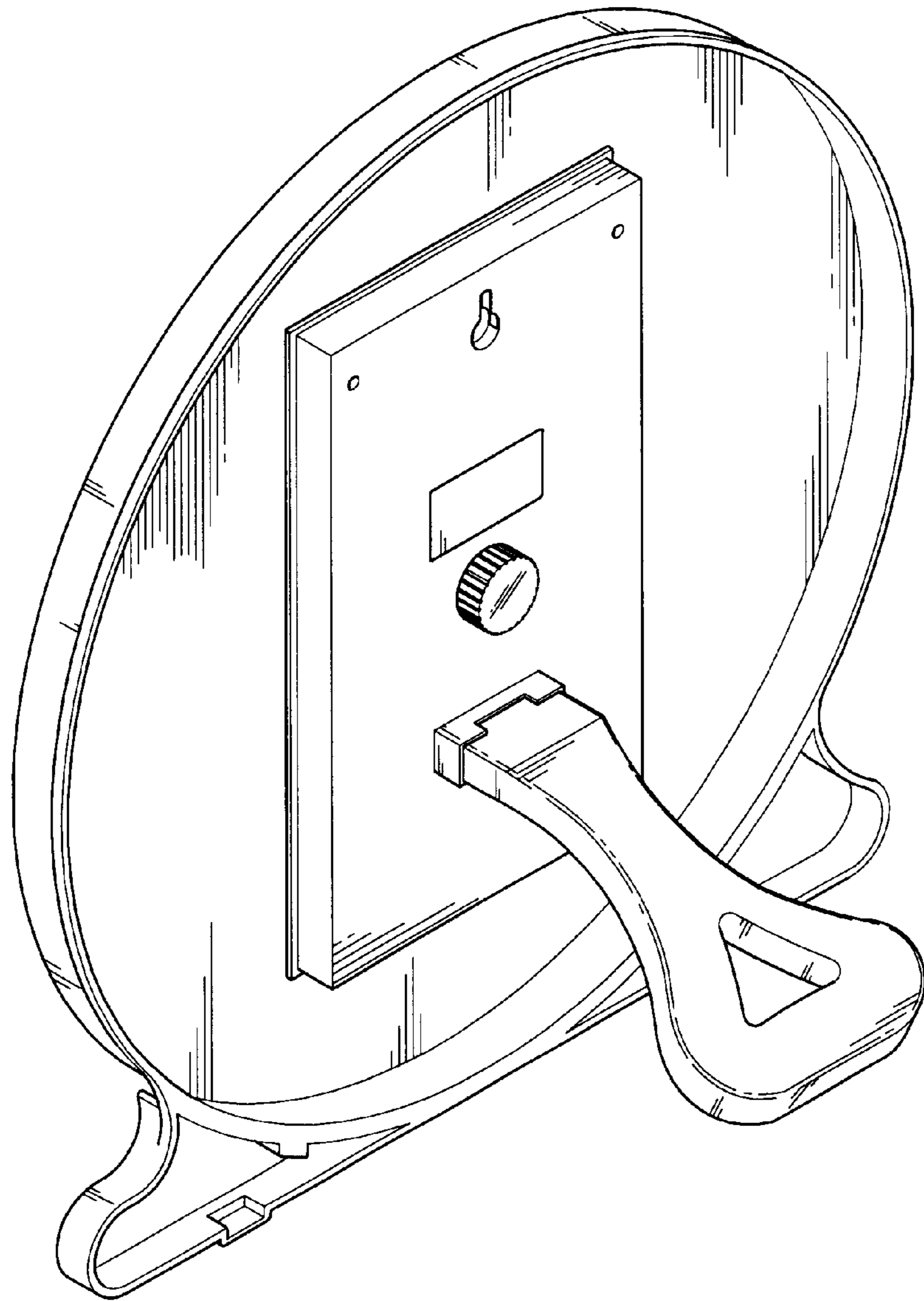


Fig. 2

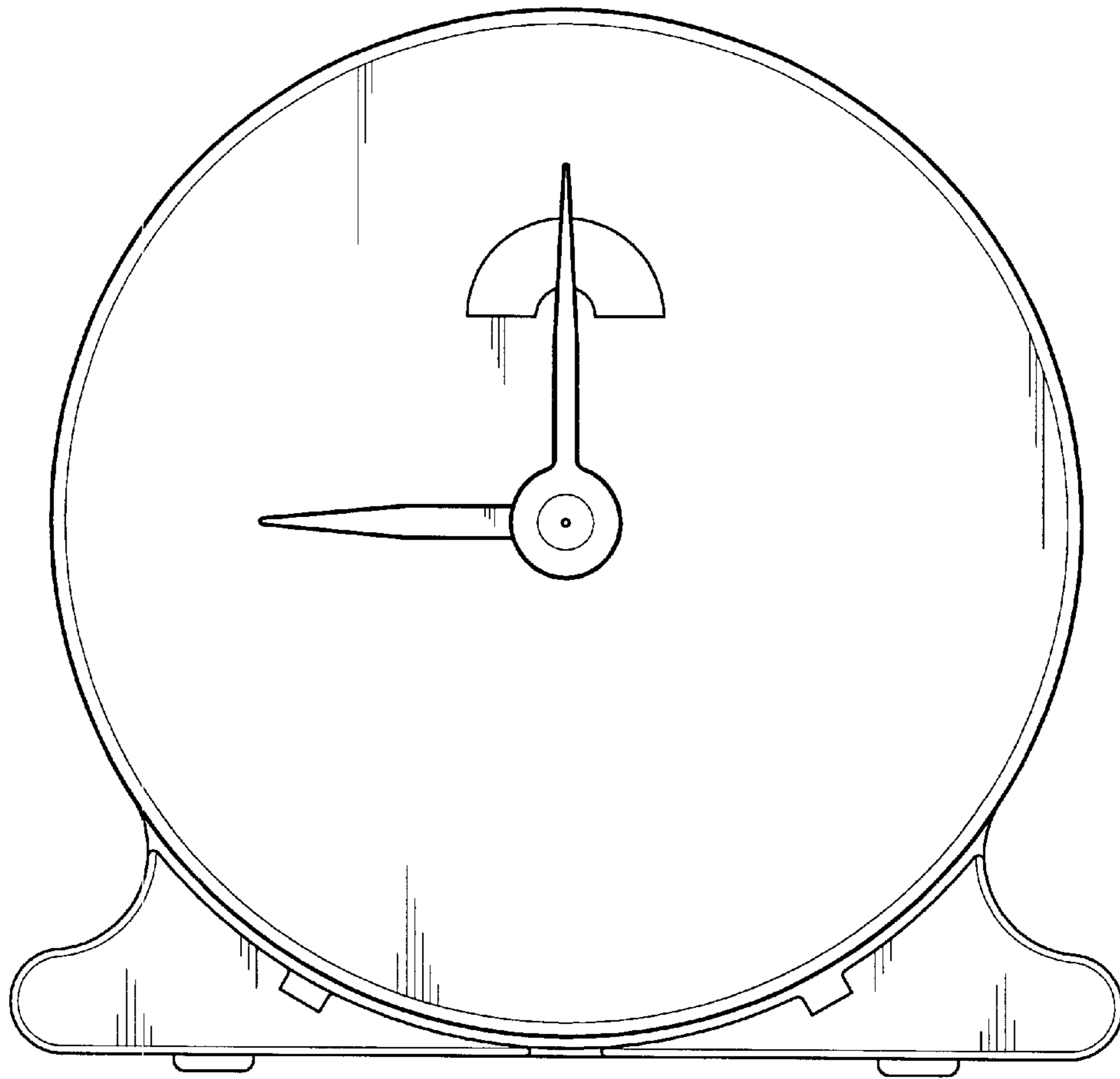


Fig. 3

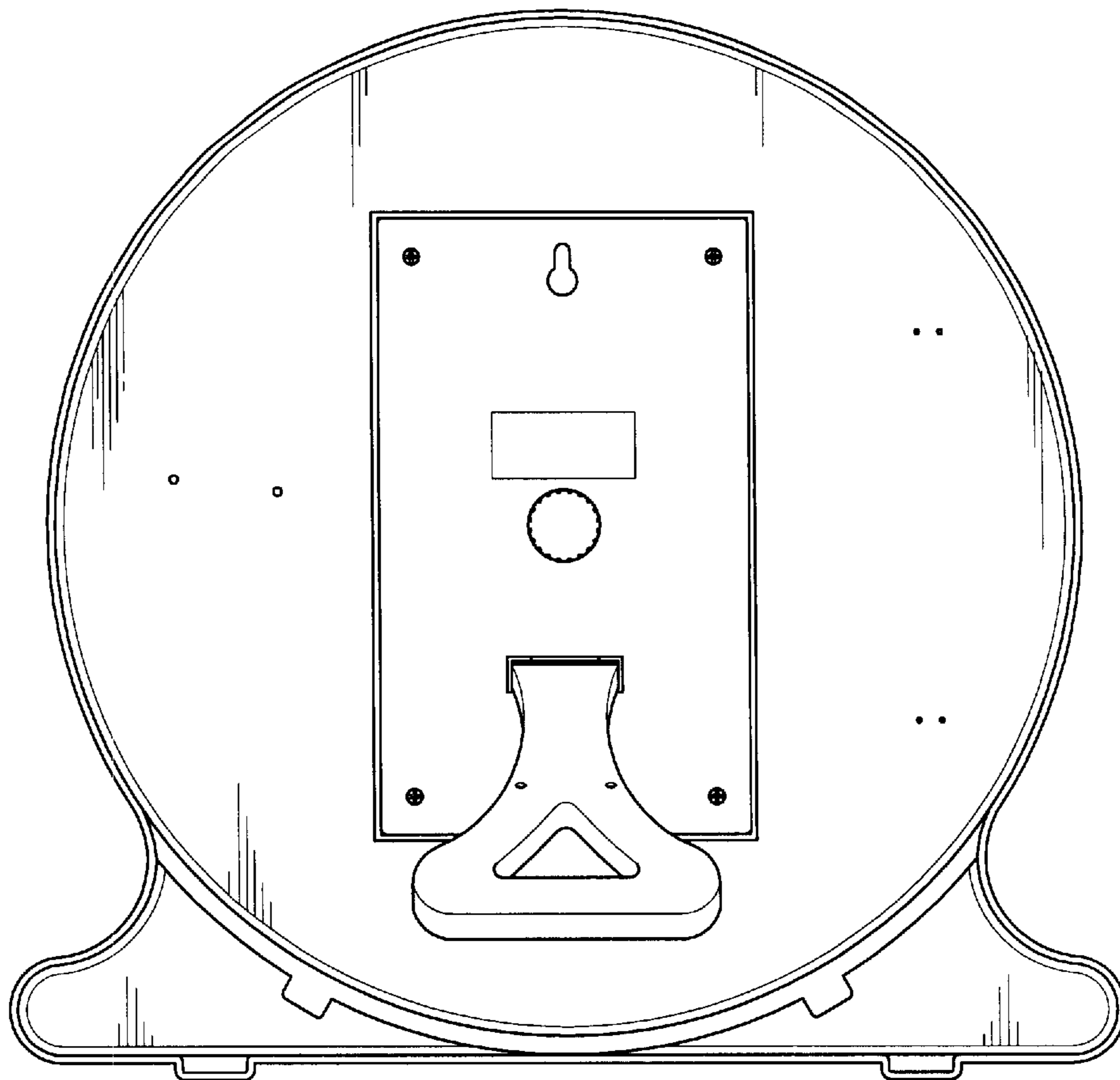


Fig. 4

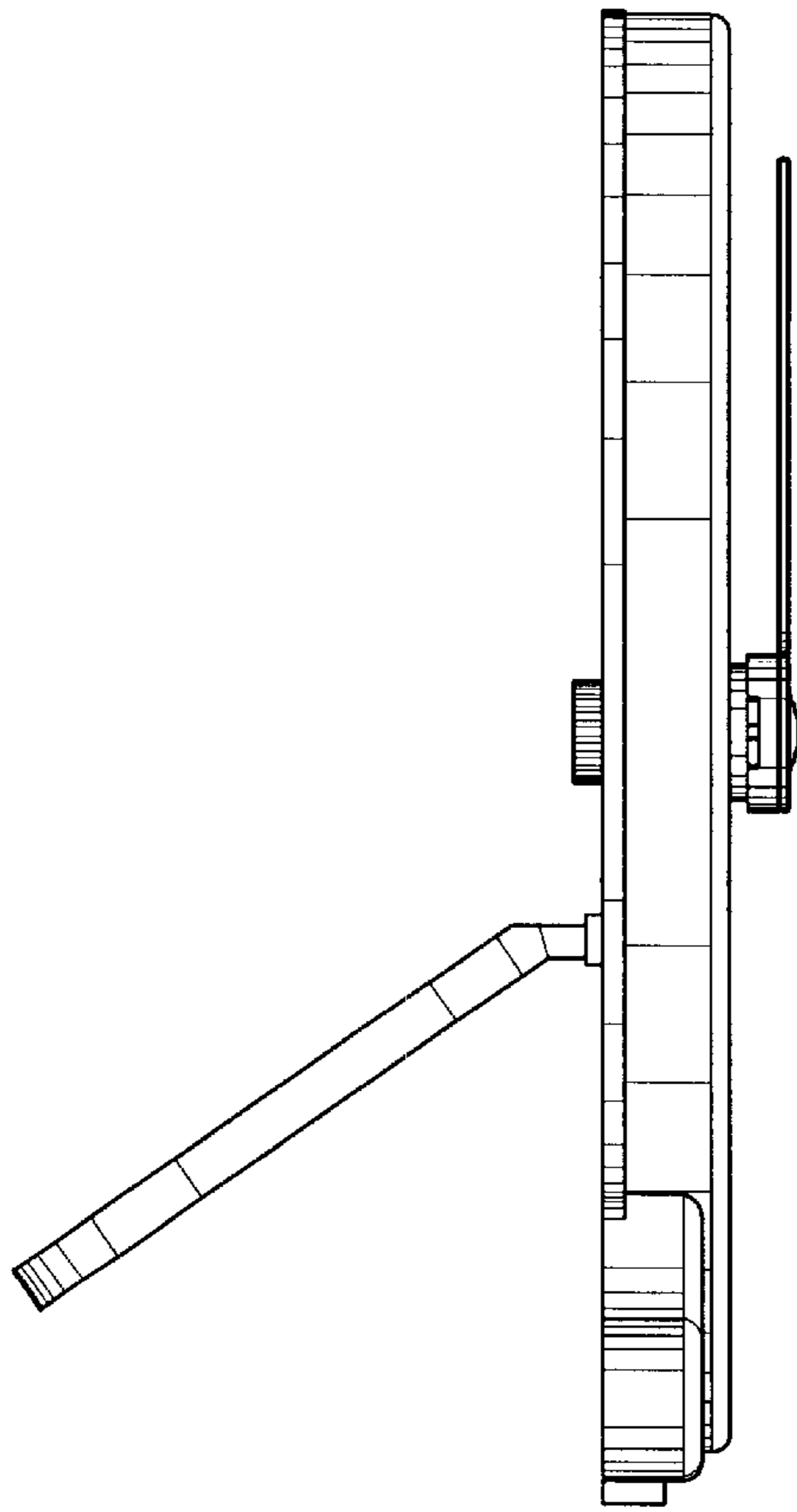


Fig. 5

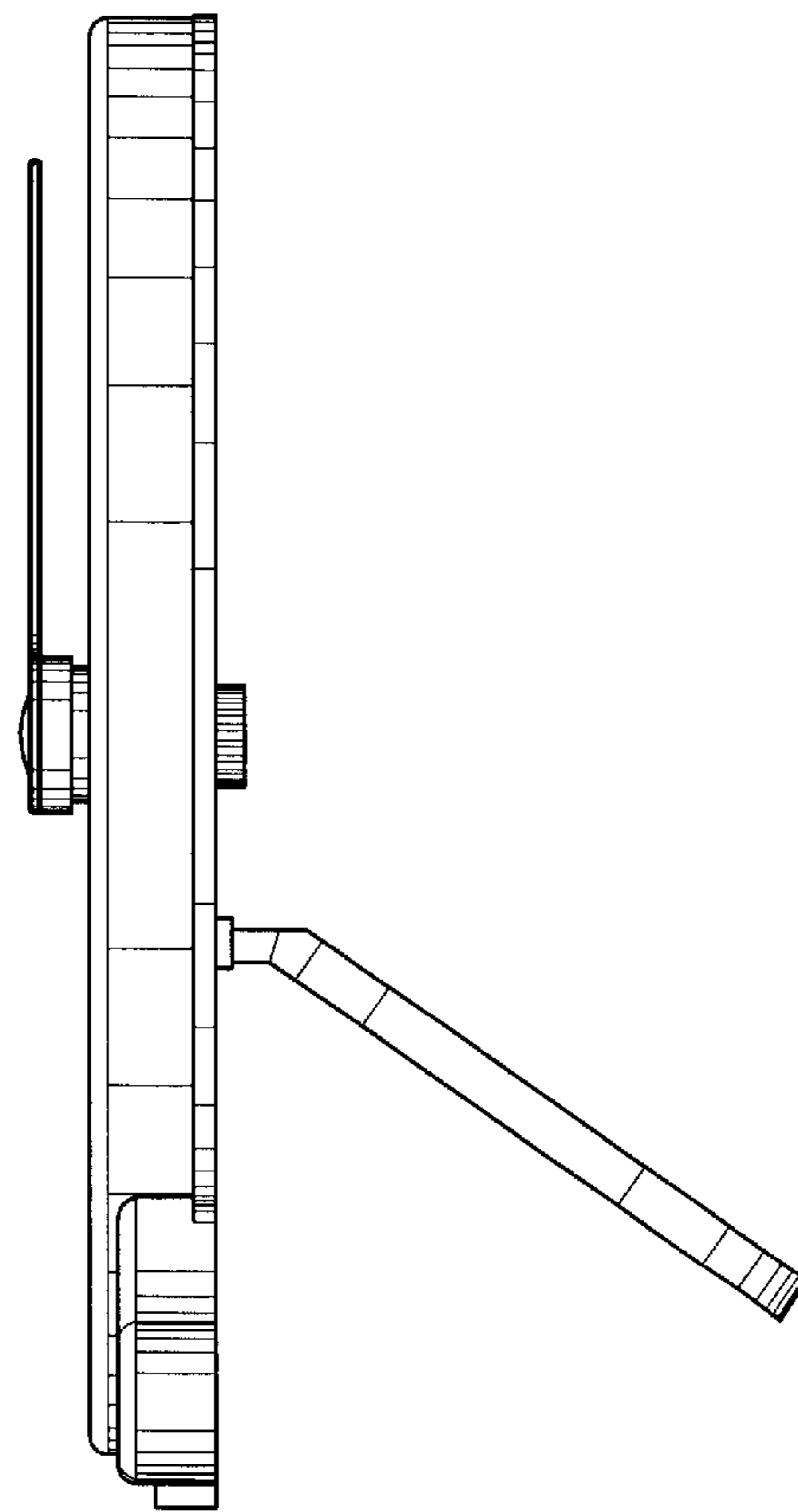


Fig. 6

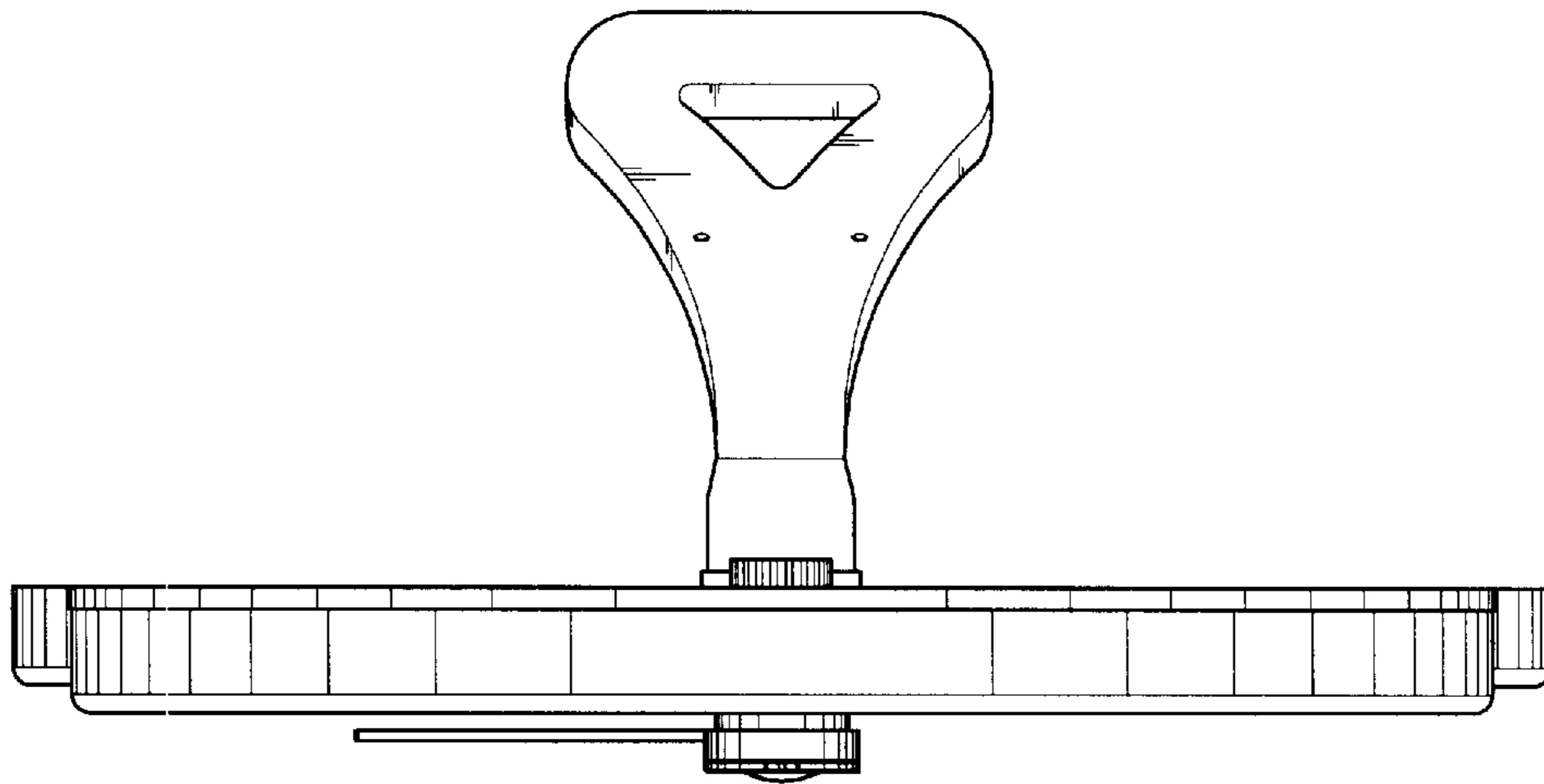


Fig. 7

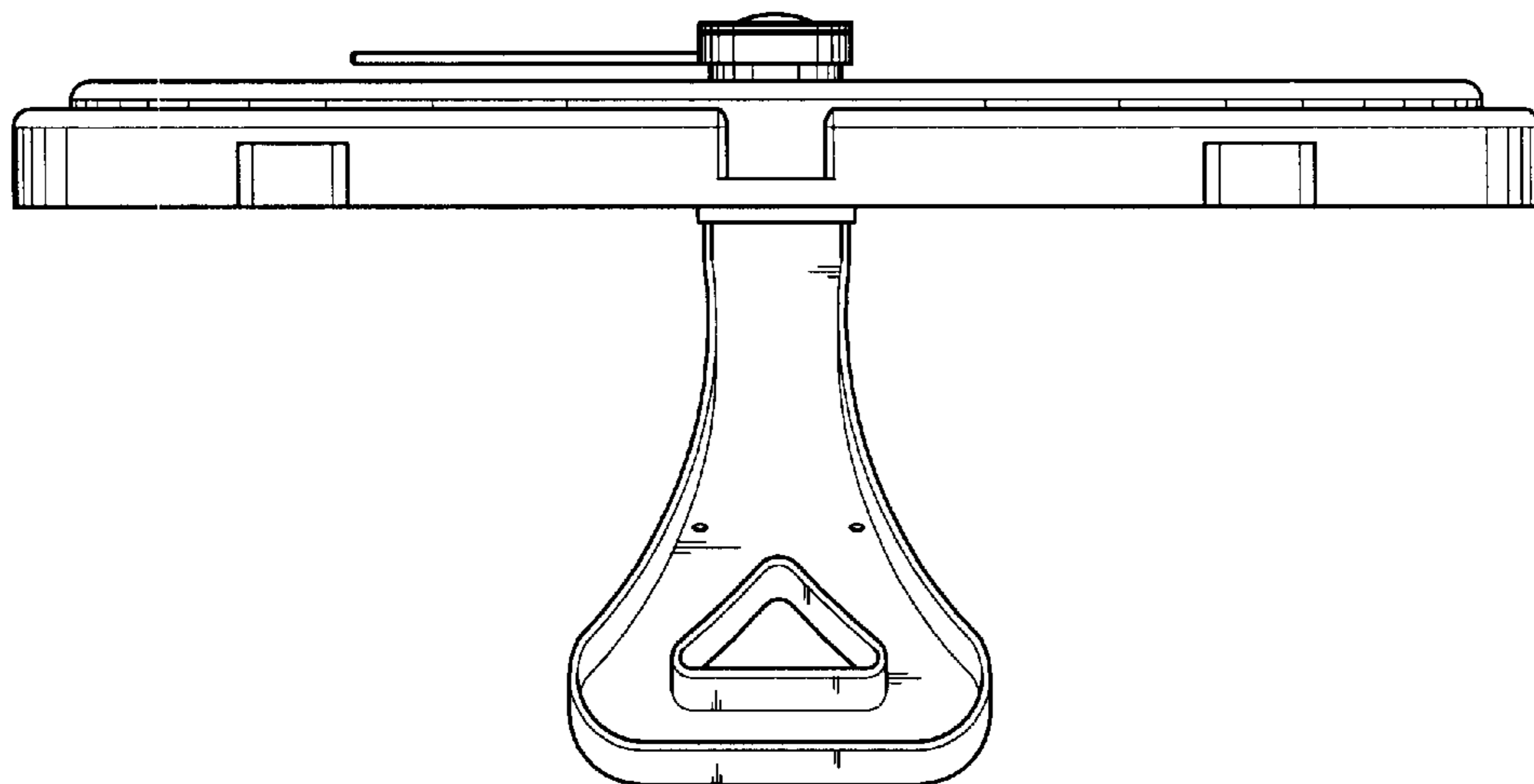


Fig. 8