

US00D532052S

(12) **United States Design Patent**  
**Yamamoto**

(10) **Patent No.:** **US D532,052 S**

(45) **Date of Patent:** **\*\* Nov. 14, 2006**

(54) **INFORMATION STORAGE CARTRIDGE  
FOR ELECTRONIC GAME MACHINE**

(75) Inventor: **Shinji Yamamoto**, Kyoto (JP)

(73) Assignee: **Nintendo Co., Ltd.**, Kyoto (JP)

(\*\*) Term: **14 Years**

(21) Appl. No.: **29/219,780**

(22) Filed: **Dec. 22, 2004**

(51) **LOC (8) Cl.** ..... **21-01**

(52) **U.S. Cl.** ..... **D21/332**

(58) **Field of Classification Search** ..... D21/324,  
D21/332, 328, 333; D14/435, 496; 273/148 B;  
463/1, 29-35, 42-47

See application file for complete search history.

(56) **References Cited**

**U.S. PATENT DOCUMENTS**

D350,353 S	*	9/1994	Schulman	.....	D14/188
D405,477 S	*	2/1999	Ota et al.	.....	D21/332
D415,534 S		10/1999	Ashida		
D419,198 S	*	1/2000	Ashida et al.	.....	D21/332
D427,245 S	*	6/2000	Nagata et al.	.....	D21/332
D428,939 S	*	8/2000	Ota et al.	.....	D21/332
6,120,379 A	*	9/2000	Tanaka et al.	.....	463/44
6,238,291 B1	*	5/2001	Fujimoto et al.	.....	463/44

D449,078 S	*	10/2001	Fujita	.....	D21/332
D468,743 S		1/2003	Kawanobe et al.		
6,540,615 B1	*	4/2003	Tanaka et al.	.....	463/44
D476,660 S	*	7/2003	Tanaka et al.	.....	D14/435
D478,127 S	*	8/2003	Nishikawa	.....	D21/332
D480,764 S		10/2003	Inoue et al.		
6,743,104 B1	*	6/2004	Ota et al.	.....	463/44

\* cited by examiner

*Primary Examiner*—Prabhakar Deshmukh

(74) *Attorney, Agent, or Firm*—Nixon & Vanderhye, P.C.

(57) **CLAIM**

The ornamental design for an “information storage cartridge for electronic game machine,” as shown and described.

**DESCRIPTION**

FIG. 1 is a top plan view of an information storage cartridge for electronic game machine;

FIG. 2 is a front elevational view thereof;

FIG. 3 is a bottom plan view thereof;

FIG. 4 is a rear elevational view thereof;

FIG. 5 is a right side elevational view thereof, the left side elevational view being a mirror image thereof;

FIG. 6 is a top, front and left side perspective view thereof; and,

FIG. 7 is a bottom, rear and left side perspective view thereof.

**1 Claim, 3 Drawing Sheets**

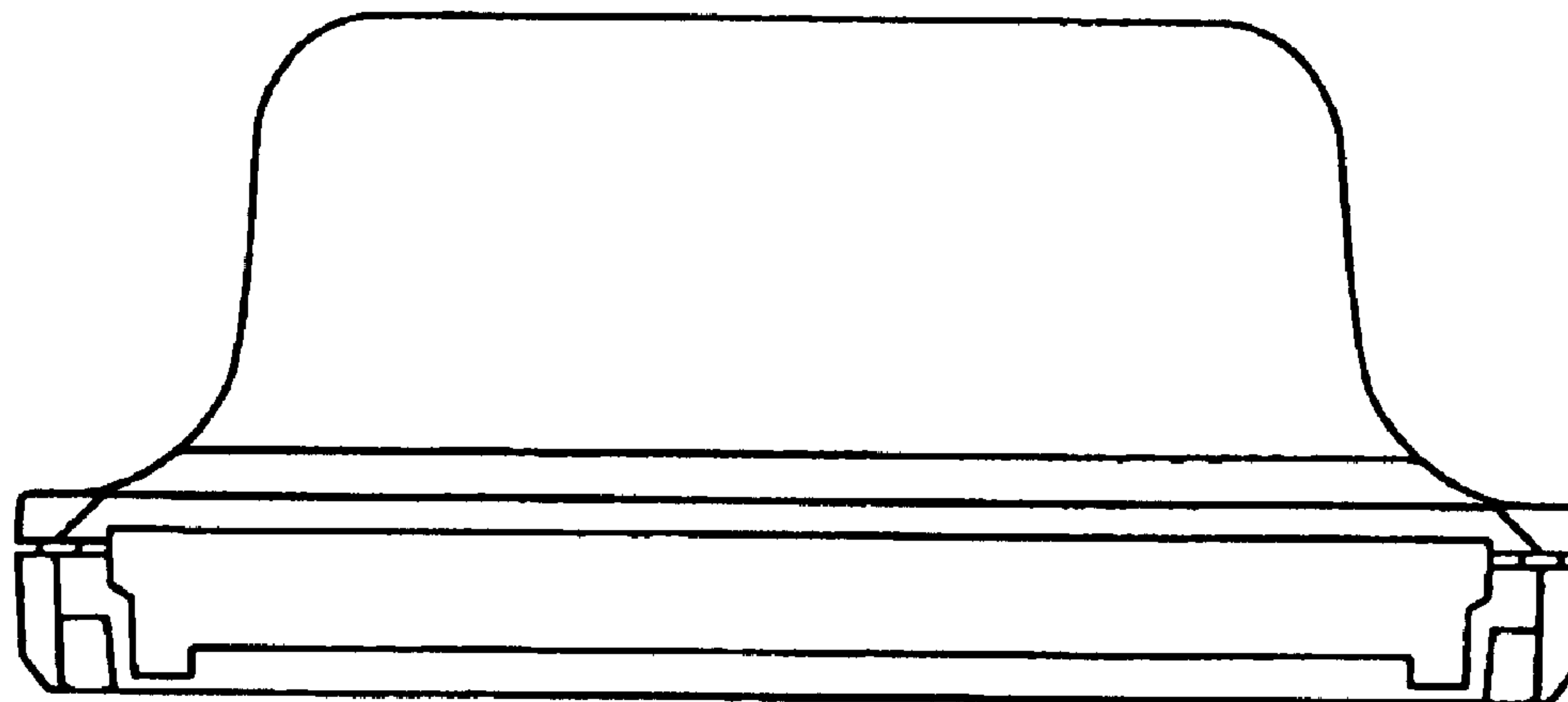


Fig. 1

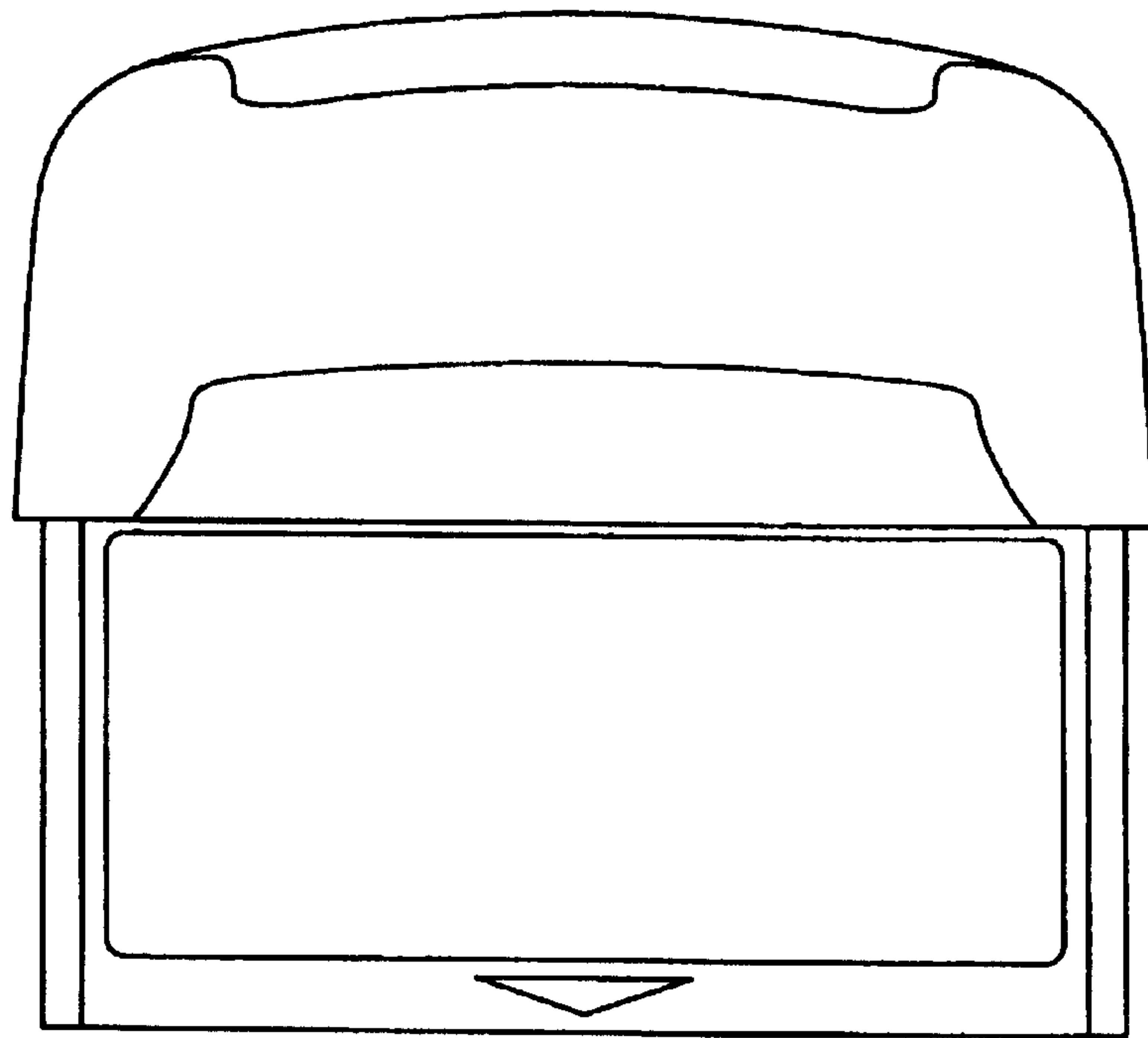


Fig. 2

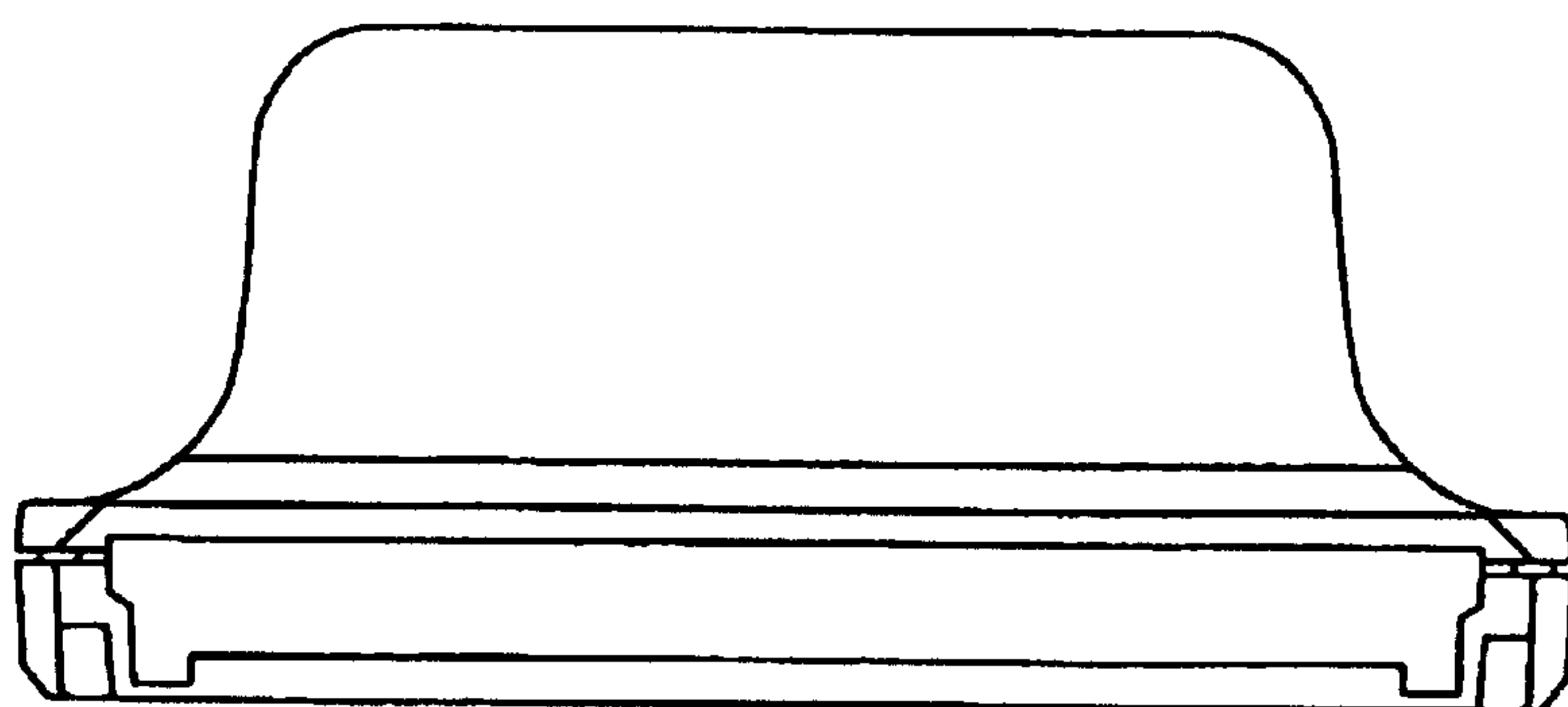


Fig. 3

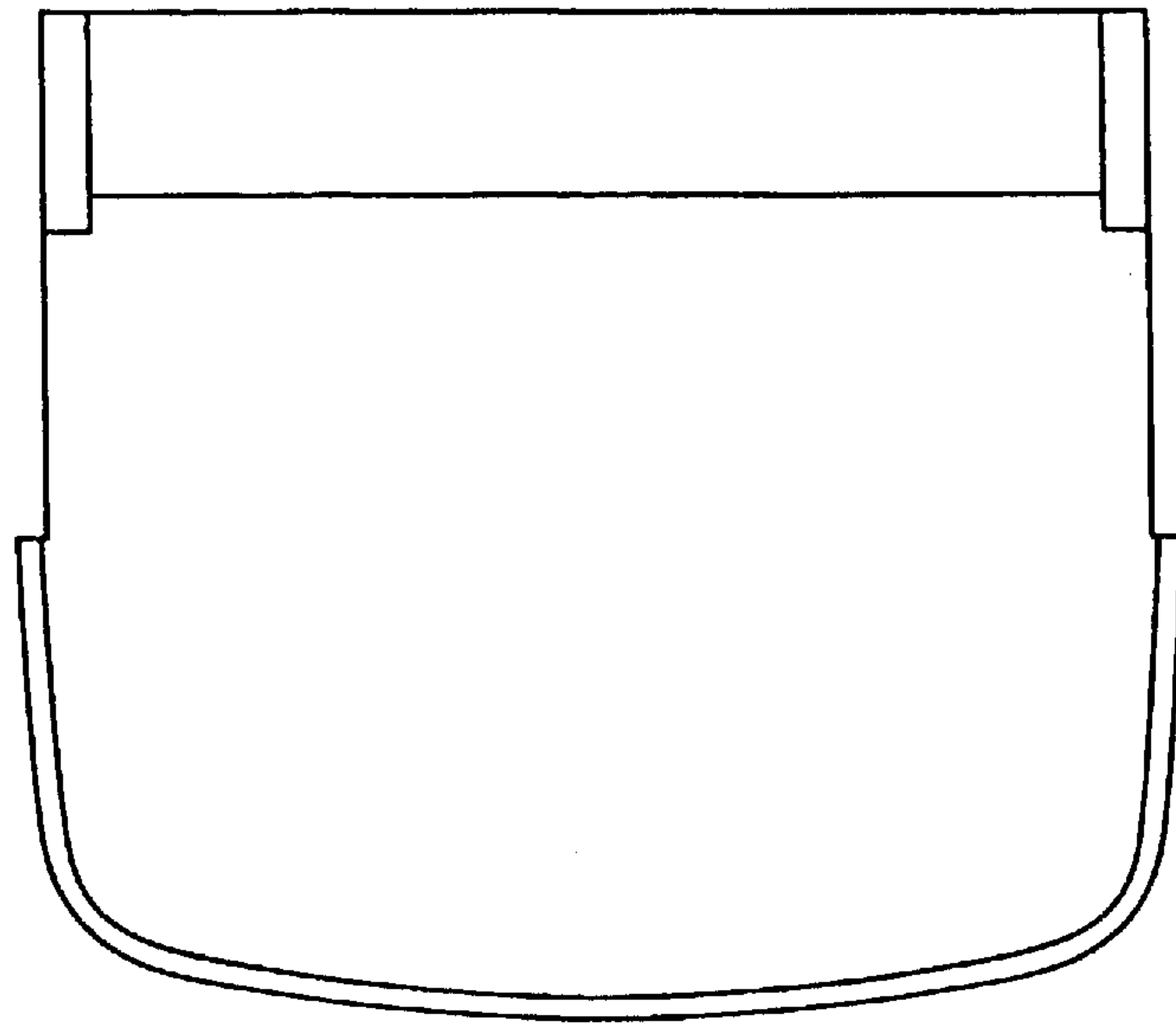


Fig. 4

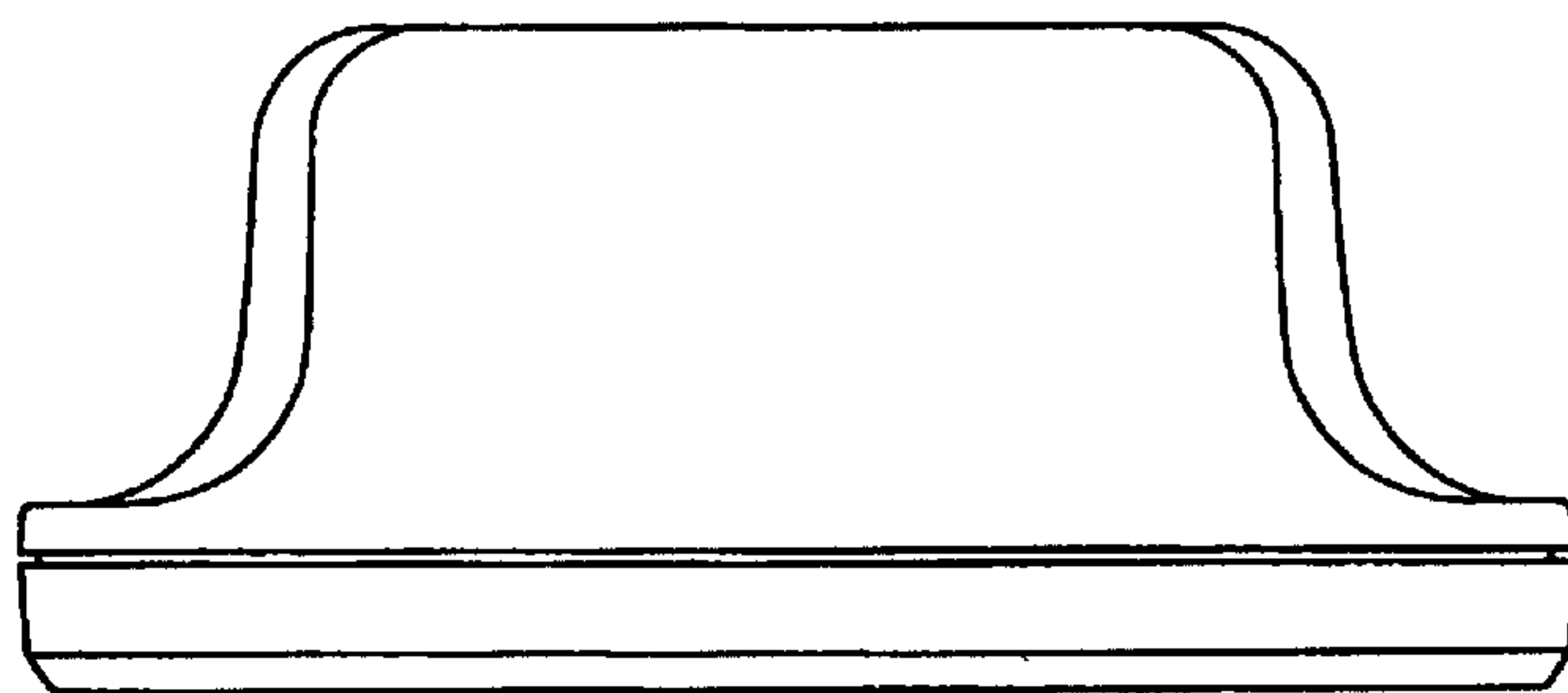


Fig. 5

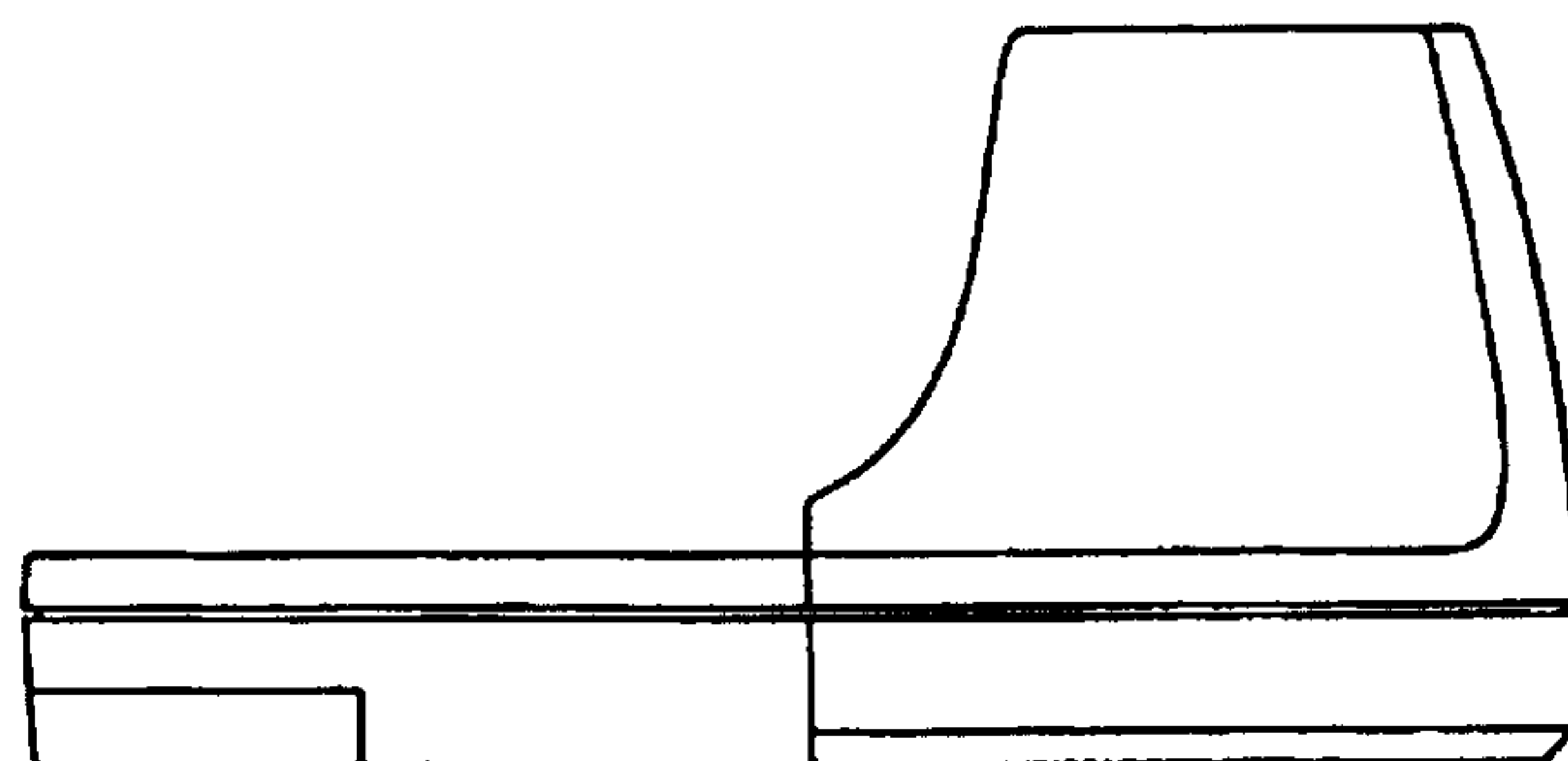


Fig. 6

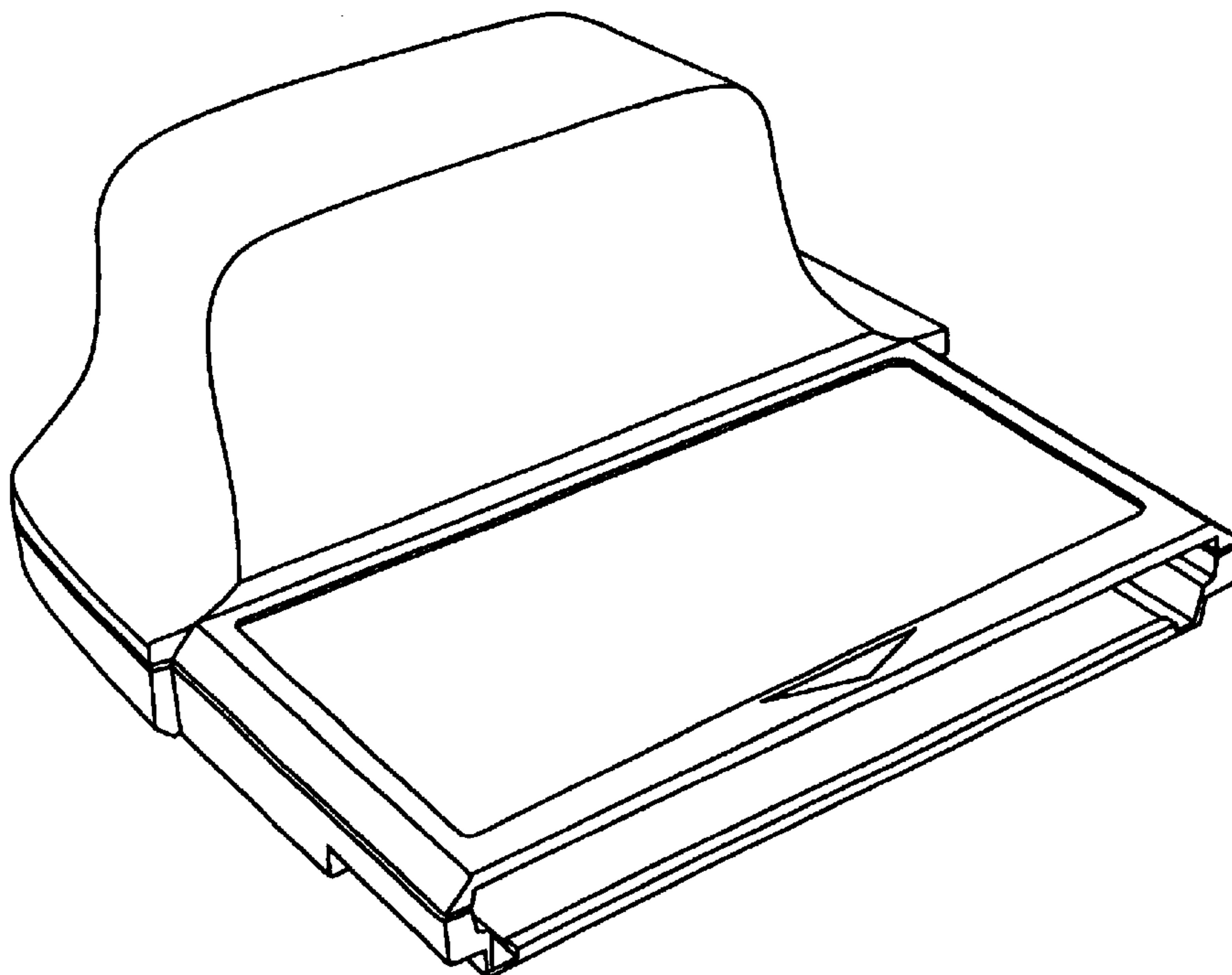
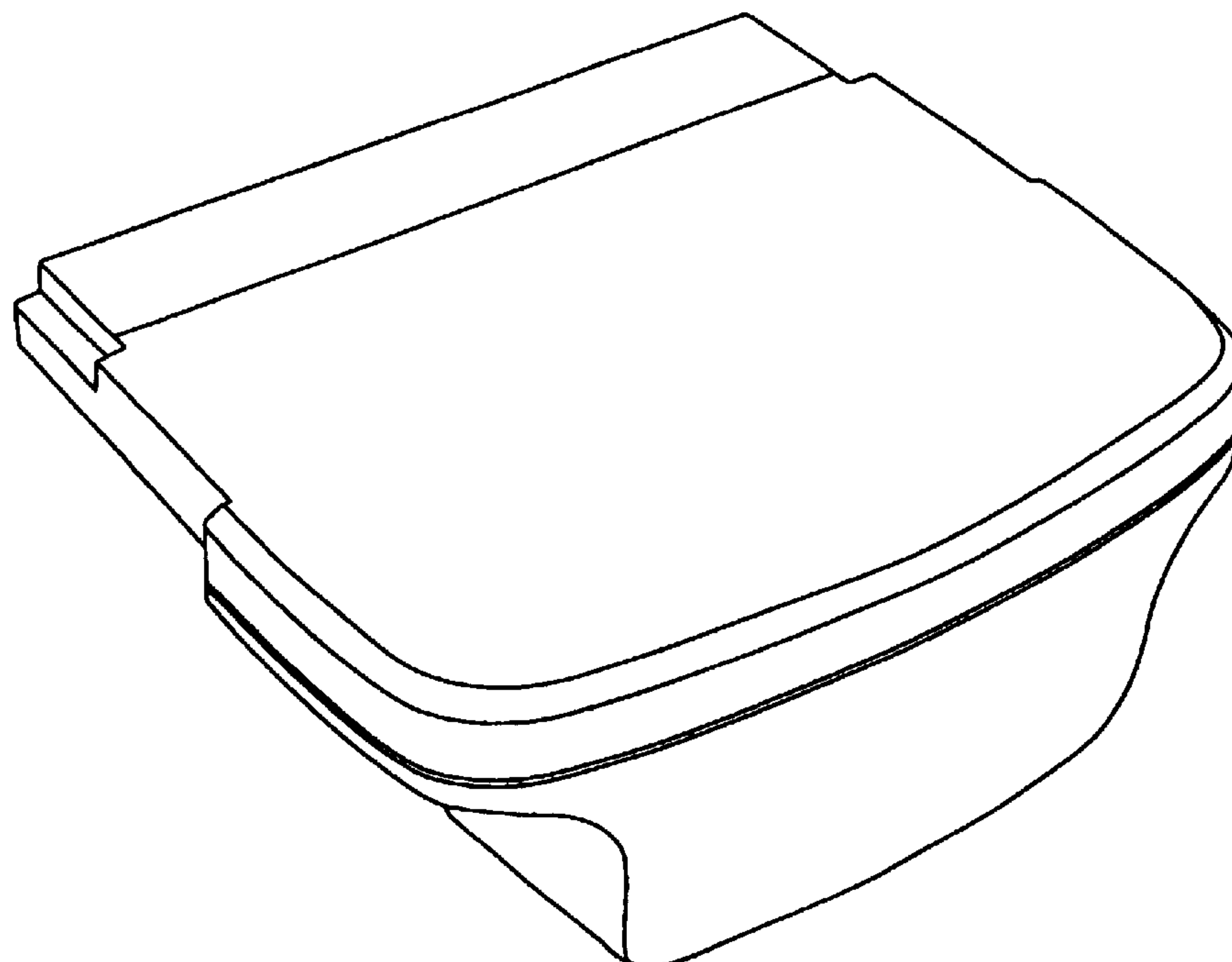


Fig. 7



UNITED STATES PATENT AND TRADEMARK OFFICE  
**CERTIFICATE OF CORRECTION**

PATENT NO. : Des. 532,052 S  
APPLICATION NO. : 29/219780  
DATED : November 14, 2006  
INVENTOR(S) : Yamamoto

Page 1 of 1

It is certified that error appears in the above-identified patent and that said Letters Patent is hereby corrected as shown below:


On the title page add item --(30)

Foreign Application Priority Data

Jul. 9, 2004 (JP) 2004-020796. --

Signed and Sealed this

Sixth Day of February, 2007

A handwritten signature in black ink on a light gray dotted background. The signature reads "Jon W. Dudas" in a cursive style.

JON W. DUDAS

*Director of the United States Patent and Trademark Office*