



US00D532051S

(12) **United States Design Patent**
Sugino et al.

(10) **Patent No.:** **US D532,051 S**
(45) **Date of Patent:** **** Nov. 14, 2006**

(54) **HAND-HELD ELECTRONIC GAME MACHINE**

(75) Inventors: **Kenichi Sugino**, Kyoto (JP); **Masato Ibuki**, Kyoto (JP)

(73) Assignee: **Nintendo Co., Ltd.**, Kyoto (JP)

(**) Term: **14 Years**

(21) Appl. No.: **29/252,929**

(22) Filed: **Jan. 31, 2006**

Related U.S. Application Data

(62) Division of application No. 29/214,174, filed on Sep. 30, 2004.

(30) **Foreign Application Priority Data**

Apr. 1, 2004 (JP) 2004-010087
Apr. 1, 2004 (JP) 2004-010089
Jul. 28, 2004 (JP) 2004-022560
Jul. 28, 2004 (JP) 2004-022565

(51) **LOC (8) Cl.** **21-01**

(52) **U.S. Cl.** **D21/330**

(58) **Field of Classification Search** D21/324, D21/329, 330, 333; D14/496, 125; 273/148 B, 273/148 A; 463/1, 2, 29-35, 46, 47; 345/156, 345/173, 867, 903; 361/679, 681, 682, 500
See application file for complete search history.

(56) **References Cited**

U.S. PATENT DOCUMENTS

D275,971 S 10/1984 Yokoi
4,542,903 A * 9/1985 Yokoi et al. 463/31
D321,375 S * 11/1991 Leung D21/329
5,168,423 A * 12/1992 Ohgami et al. 361/681
D333,493 S * 2/1993 Sato D21/330

D346,408 S * 4/1994 Lee D21/330
D378,686 S * 4/1997 Proctor et al. D19/60
D402,708 S * 12/1998 Tai D21/330
6,498,721 B1 * 12/2002 Kim 361/681
D474,510 S * 5/2003 Fayram et al. D21/330
D484,918 S 1/2004 Okada et al.
D494,190 S * 8/2004 Hong et al. D14/496
6,850,407 B1 * 2/2005 Tanimoto et al. 361/681
6,958,902 B1 * 10/2005 Tseng et al. 361/681

* cited by examiner

Primary Examiner—Prabhakar Deshmukh

(74) *Attorney, Agent, or Firm*—Nixon & Vanderhye, P.C.

(57) **CLAIM**

The ornamental design for a hand-held electronic game machine, as shown and described.

DESCRIPTION

FIG. 1 is a top, front and right perspective view of a hand-held electronic game machine showing a first embodiment our new design, a lid with display being opened; FIG. 2 is a bottom, rear and left perspective view thereof; FIG. 3 is a top plan view thereof; FIG. 4 is a bottom plan view thereof; FIG. 5 is a front elevational view thereof; FIG. 6 is a rear elevational view thereof; FIG. 7 is a right side view thereof; FIG. 8 is a left side view thereof; FIG. 9 is a top, front and right perspective view of the lid with display being folded or closed; FIG. 10 is a top plan view thereof; FIG. 11 is a bottom plan view thereof; FIG. 12 is a front elevational view thereof; FIG. 13 is a rear elevational view thereof; FIG. 14 is a right side view thereof; and, FIG. 15 is a left side view thereof.

1 Claim, 8 Drawing Sheets

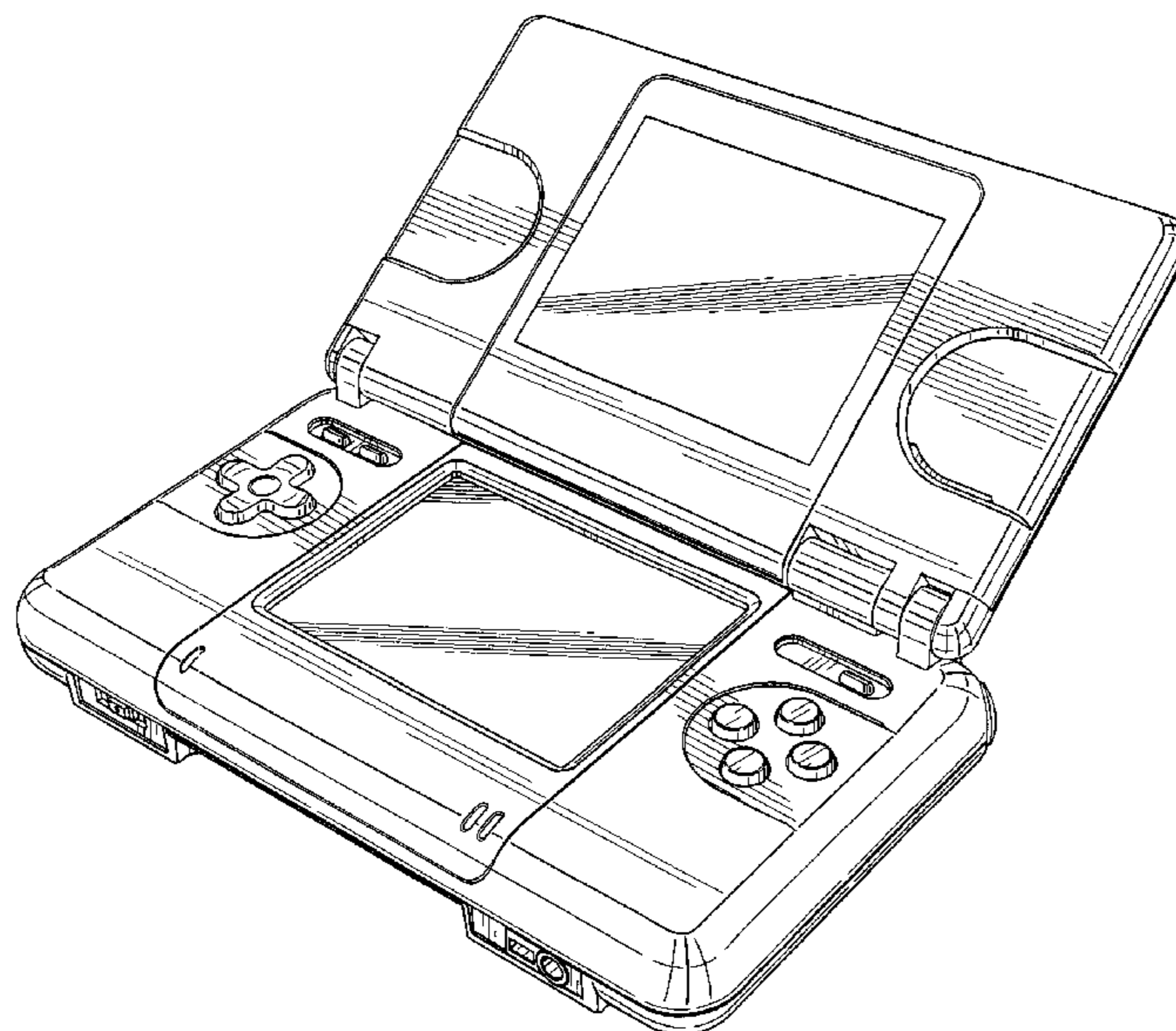


FIG. 1

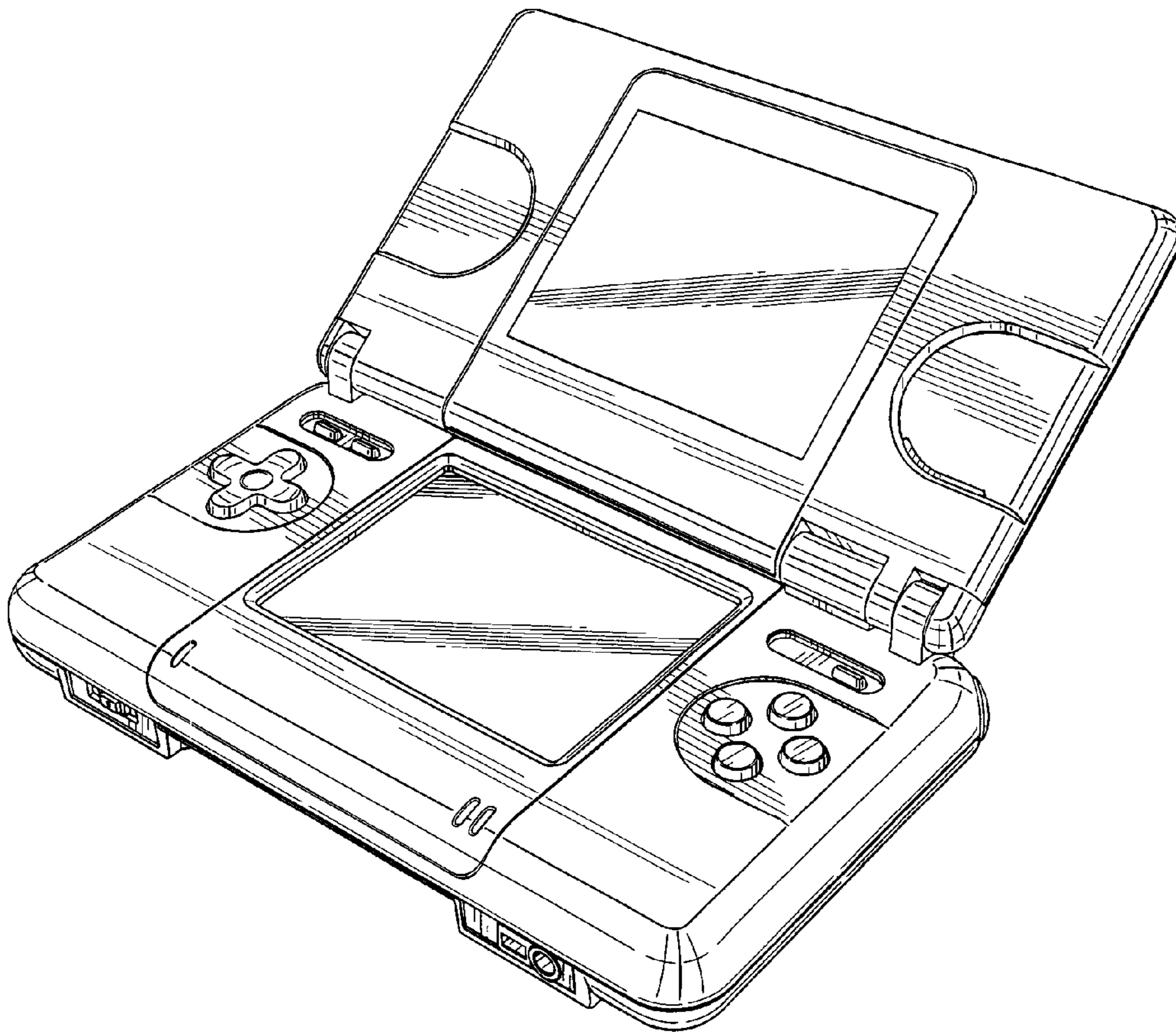


FIG. 2

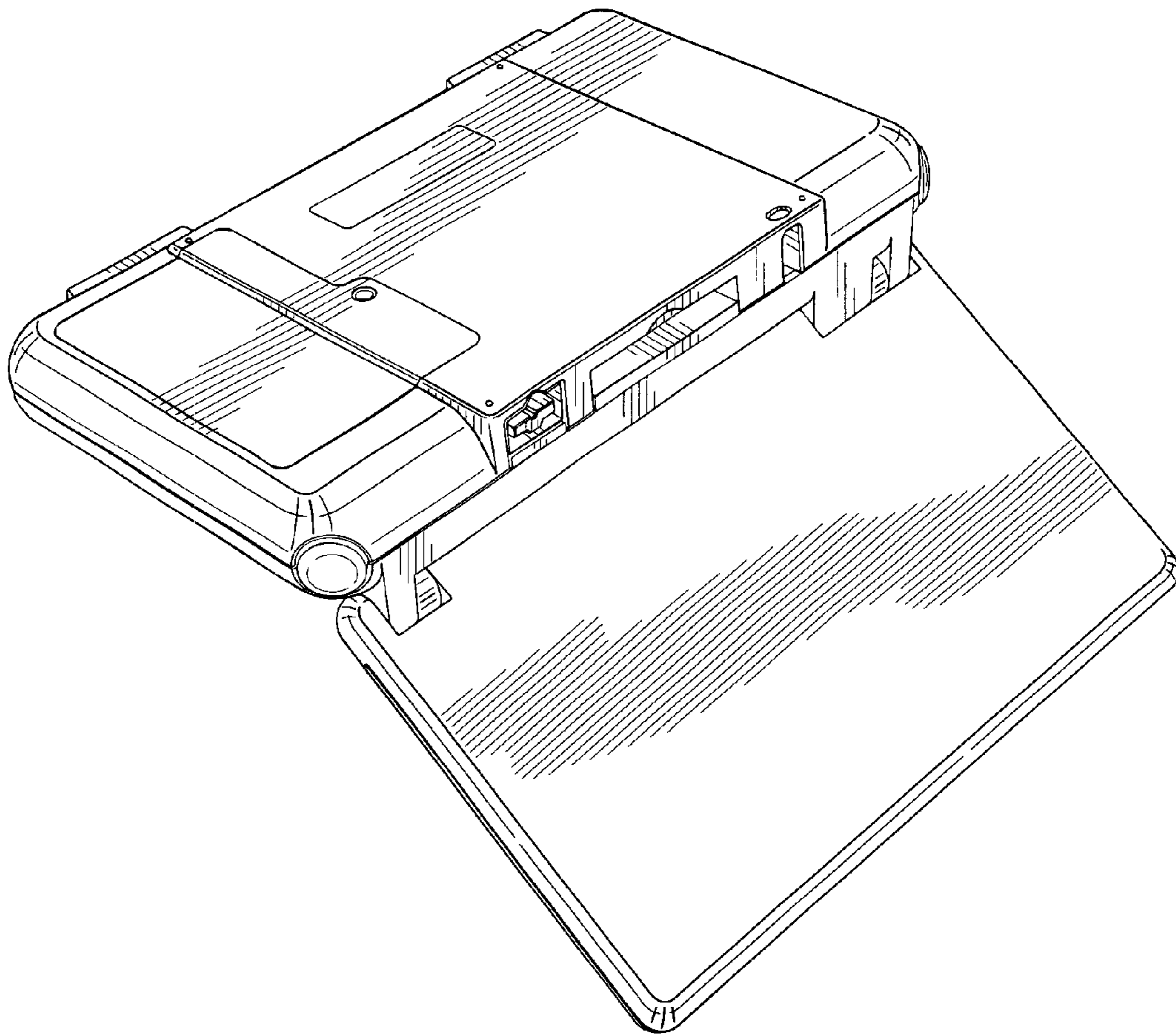


FIG. 3

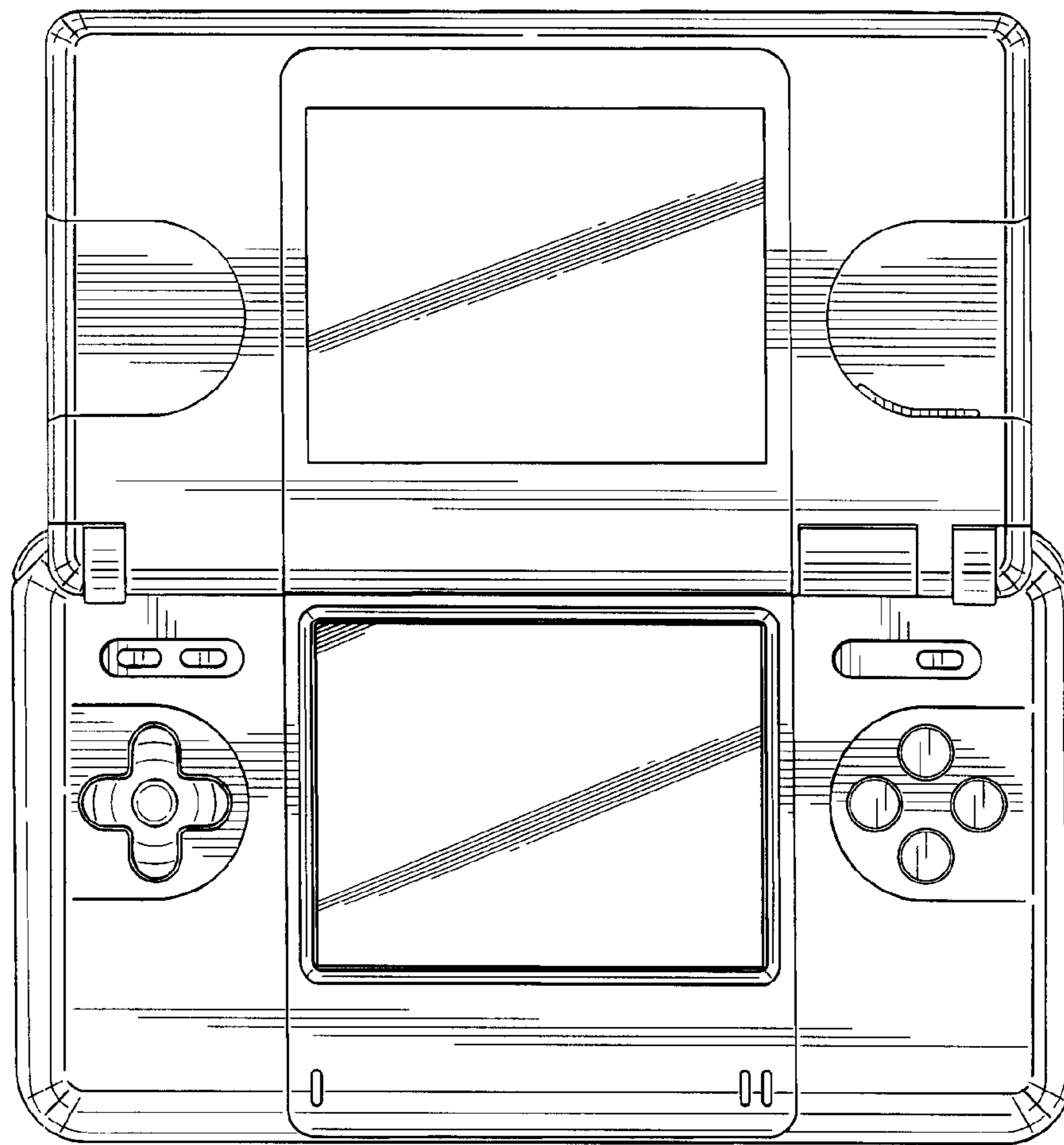


FIG. 4

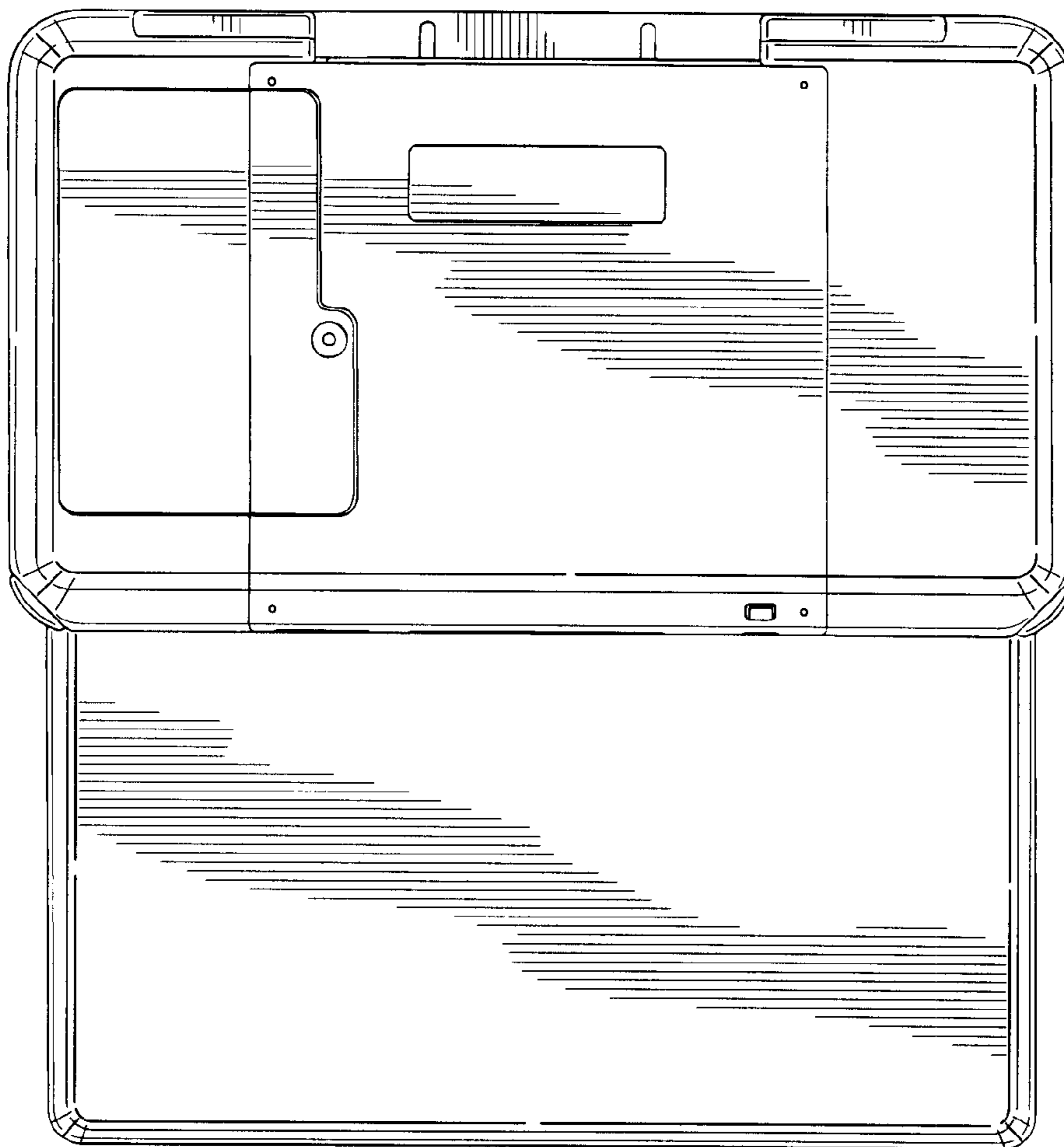


FIG. 5

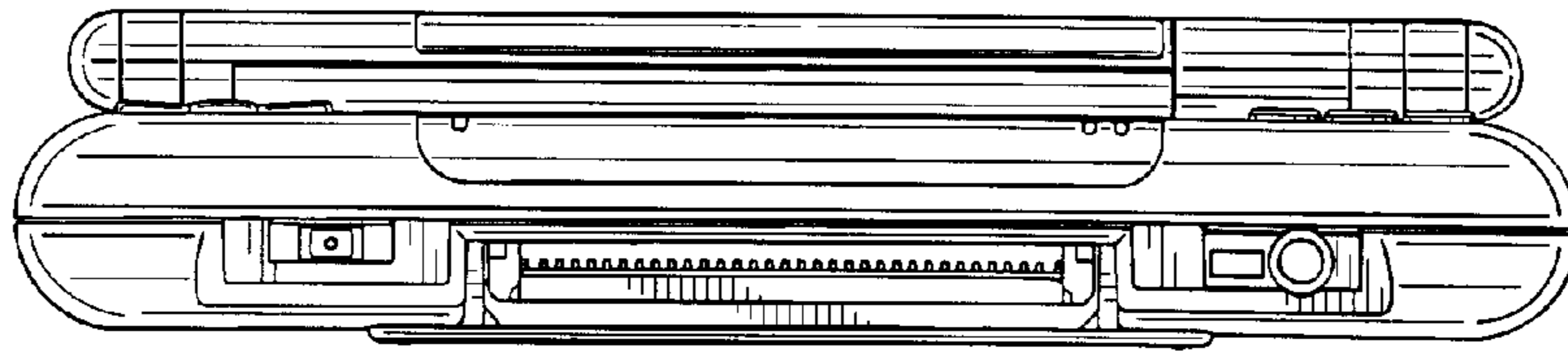


FIG. 6

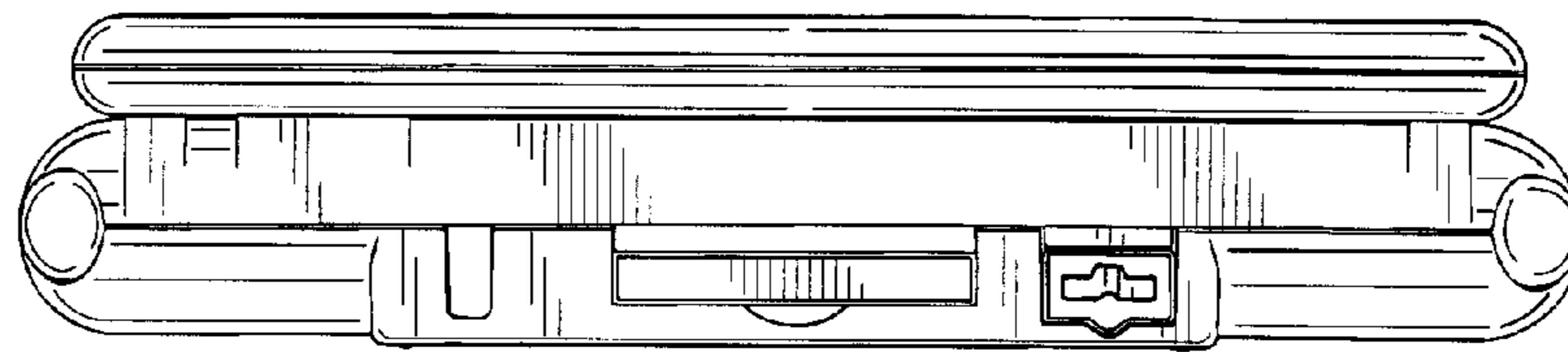


FIG. 7

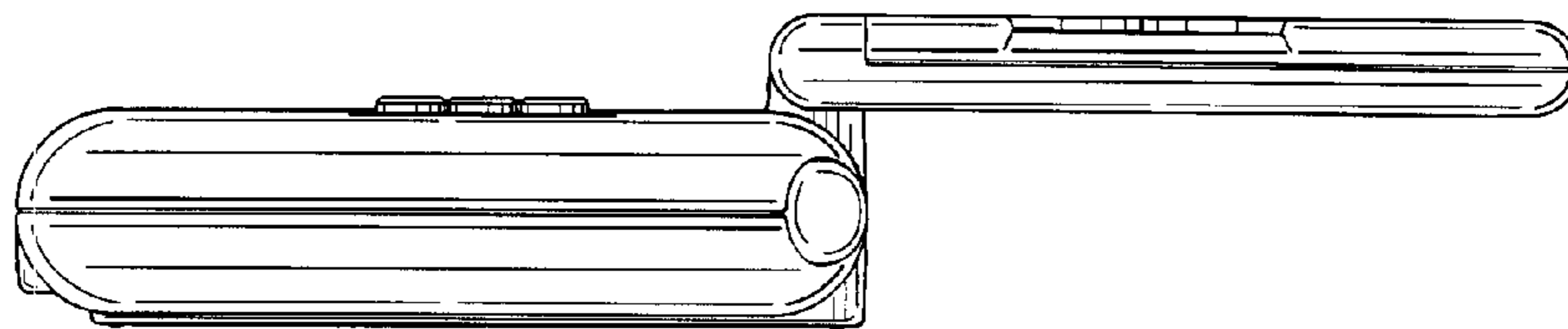


FIG. 8

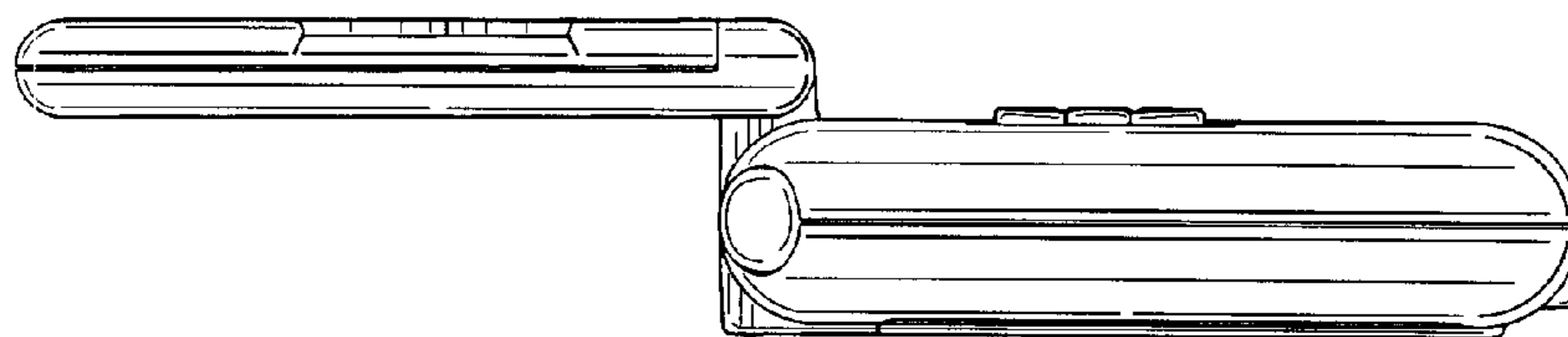


FIG. 9

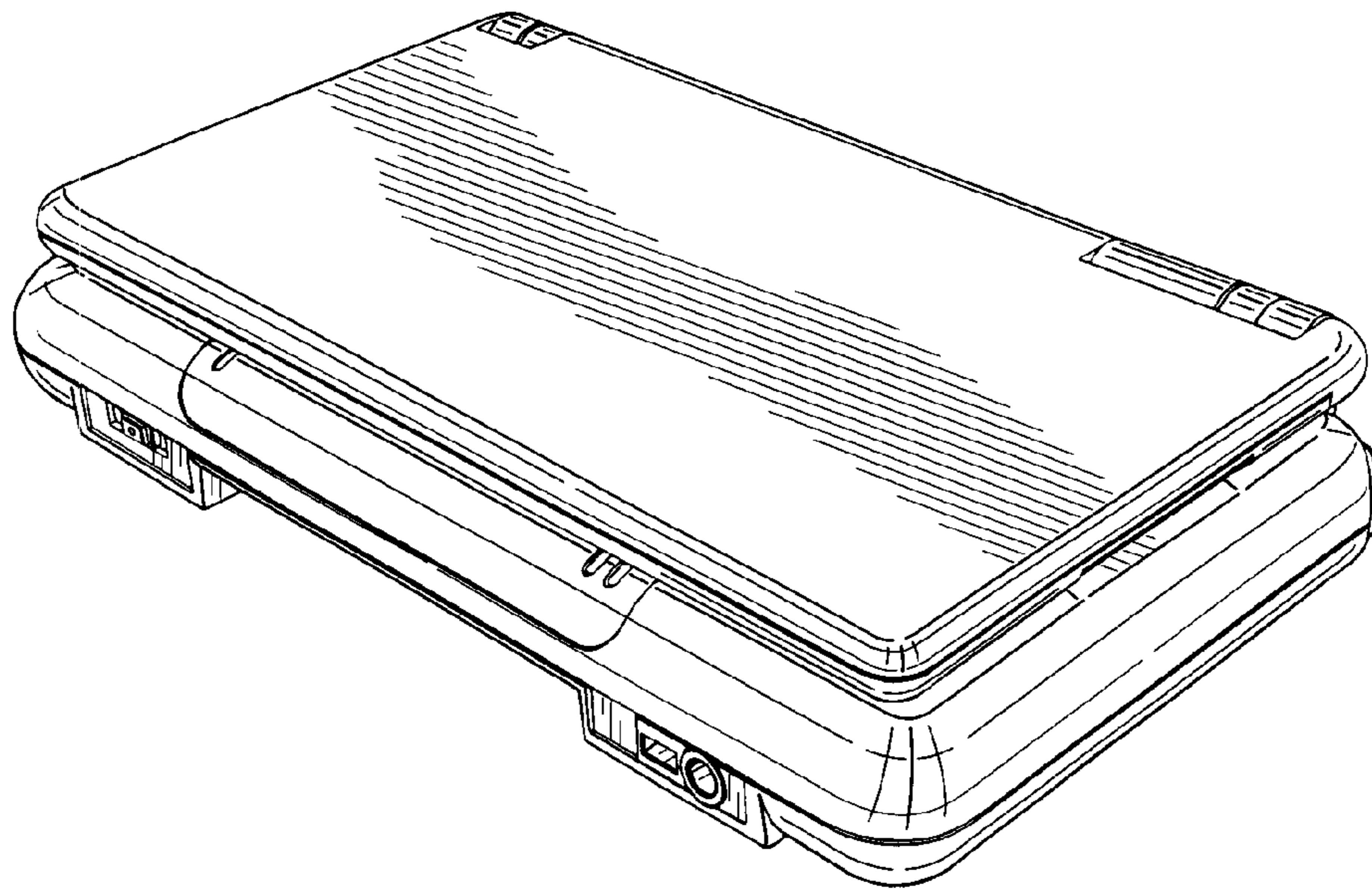


FIG. 10

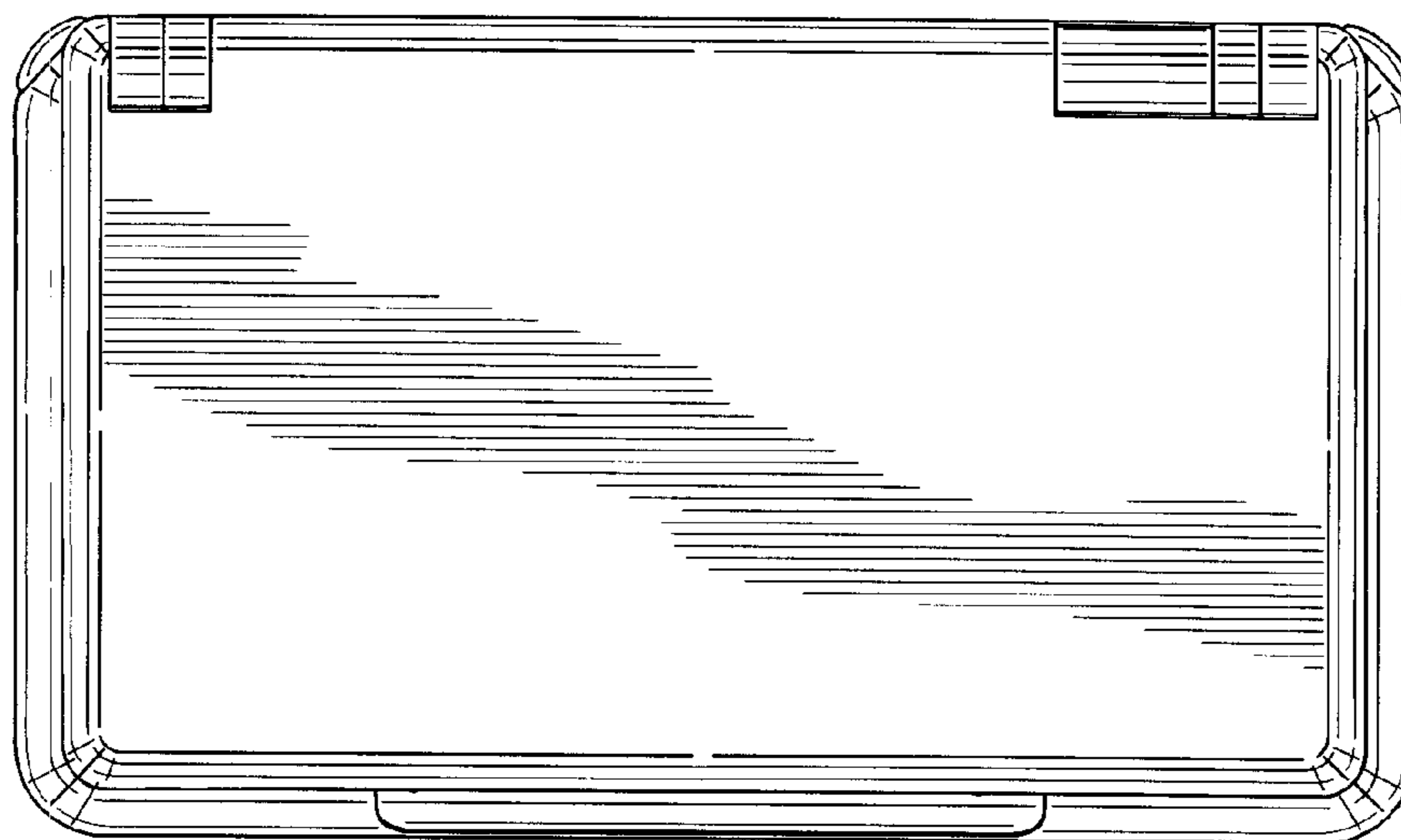


FIG. 11

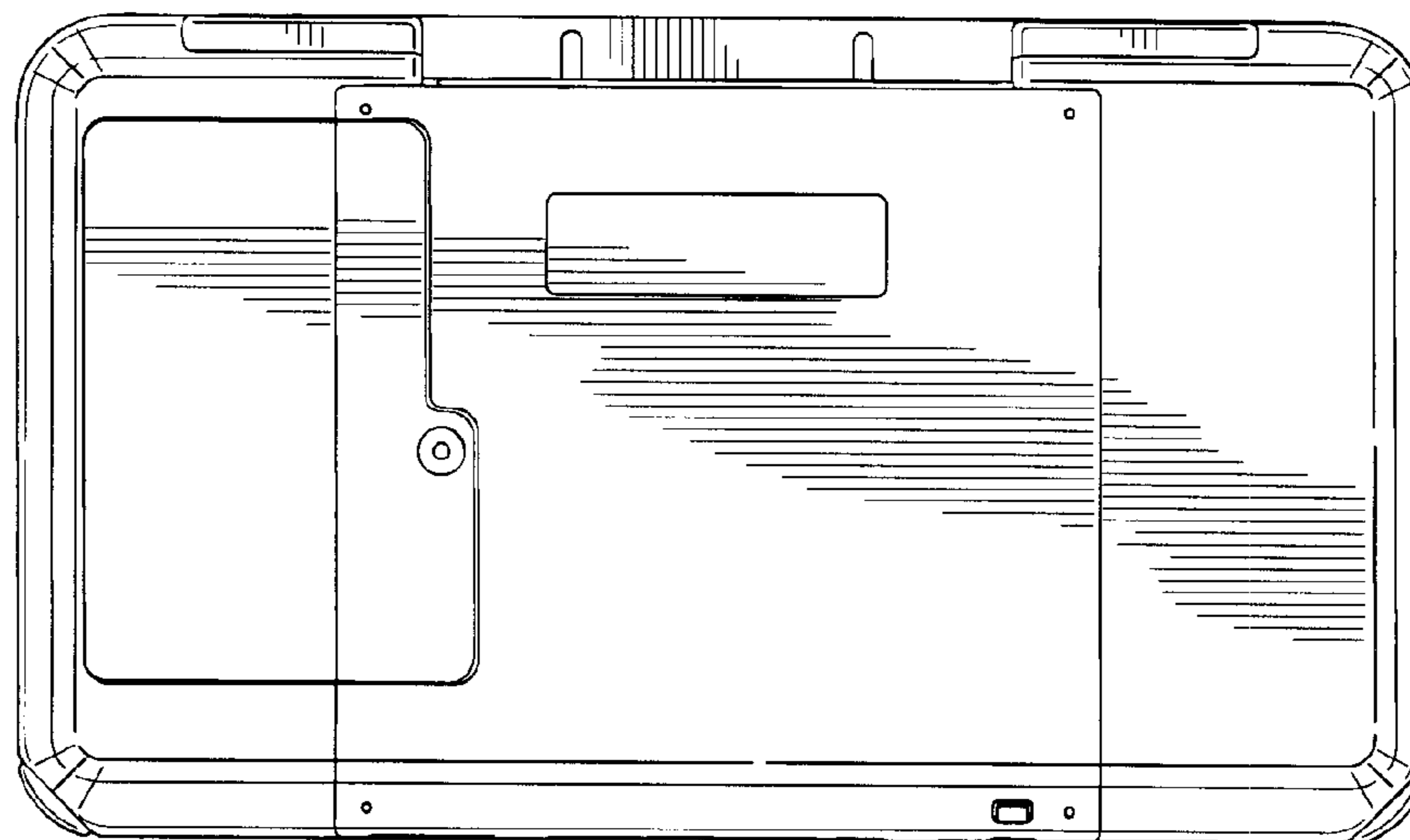


FIG. 12

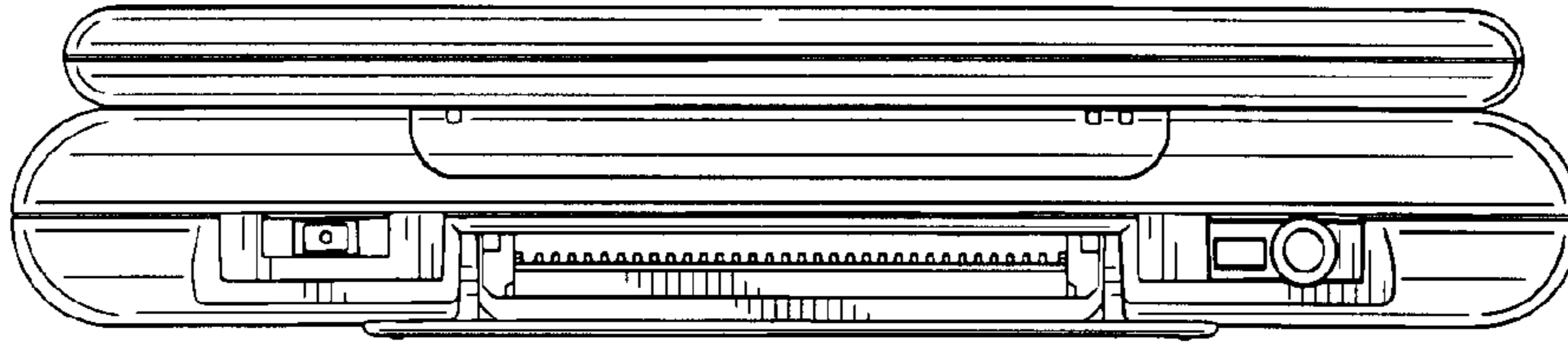


FIG. 13

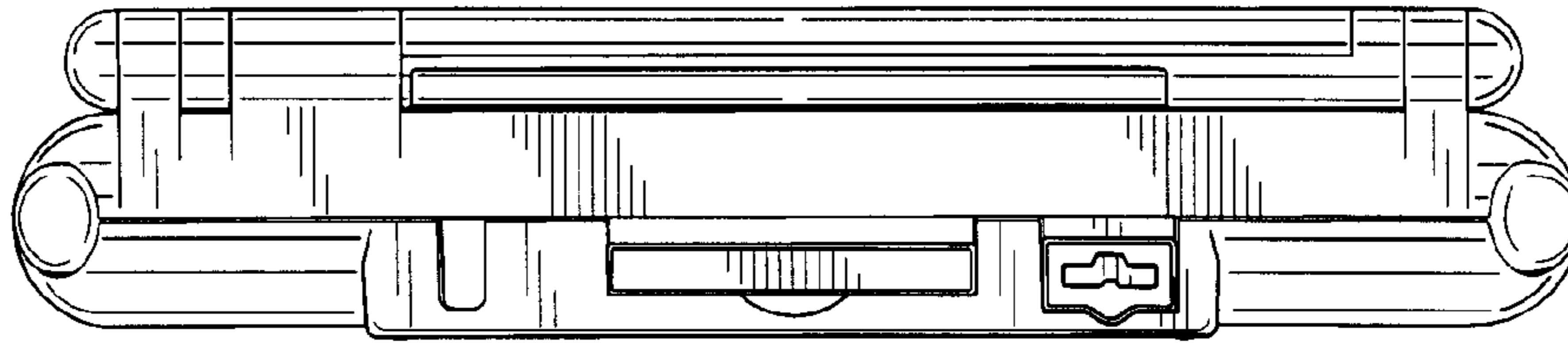


FIG. 14

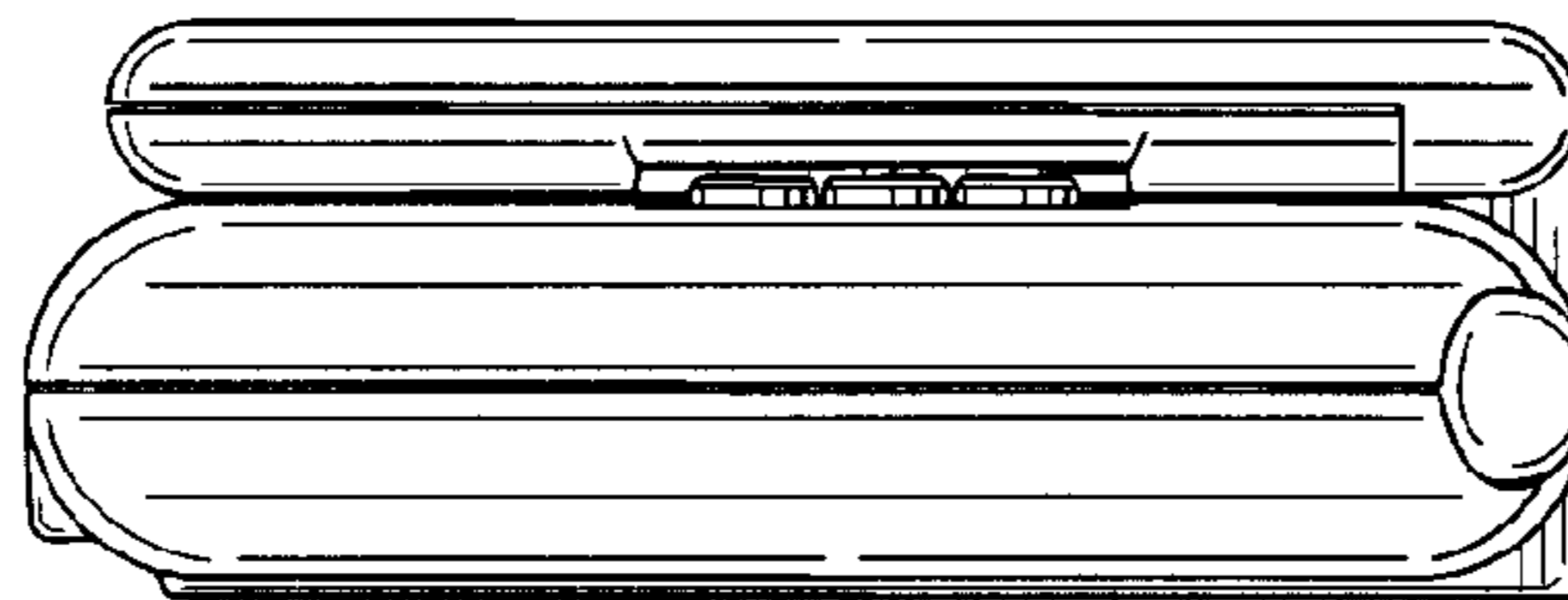
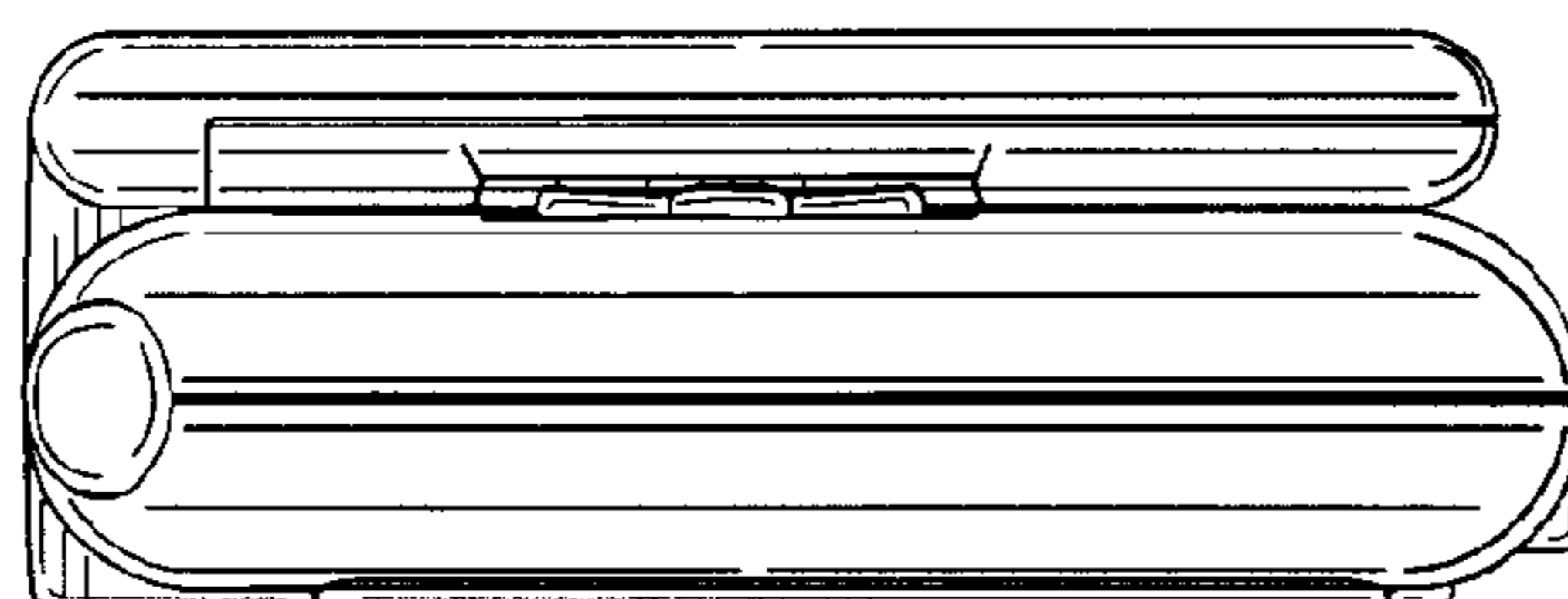


FIG. 15



UNITED STATES PATENT AND TRADEMARK OFFICE
CERTIFICATE OF CORRECTION

PATENT NO. : Des. 532,051 S
APPLICATION NO. : 29/252929
DATED : November 14, 2006
INVENTOR(S) : Sugino et al.

Page 1 of 1

It is certified that error appears in the above-identified patent and that said Letters Patent is hereby corrected as shown below:

On Title page 1, Column 1, at INID Code 62, please change "Division of application No. 29/214,174, filed Sep. 30, 2004" to read as follows: --Division of application No. 29/214,176, filed Sep. 30, 2004--.

Signed and Sealed this

Tenth Day of April, 2007

A handwritten signature in black ink on a light gray dotted background. The signature reads "Jon W. Dudas" in a cursive style.

JON W. DUDAS

Director of the United States Patent and Trademark Office