



US00D532049S

(12) **United States Design Patent**
Ludlow

(10) **Patent No.:** **US D532,049 S**

(45) **Date of Patent:** **** Nov. 14, 2006**

(54) **MERCHANDISE TAGGING ARTICLE**

(75) Inventor: **Robert B. Ludlow**, Worthington, MN (US)

(73) Assignee: **Bedford Industries, Inc.**, Worthington, MN (US)

(**) Term: **14 Years**

(21) Appl. No.: **29/206,384**

(22) Filed: **May 28, 2004**

(51) **LOC (8) Cl.** **19-08**

(52) **U.S. Cl.** **D20/22; D20/43**

(58) **Field of Classification Search** D20/10, D20/11, 22, 27, 28, 40, 42, 43, 99; D6/315; 40/299.01, 642.2, 666, 584, 593, 1.5, 655, 40/661.6-661.8, 649

See application file for complete search history.

(56) **References Cited**

U.S. PATENT DOCUMENTS

134,116 A	*	12/1872	West	248/118.1
224,958 A		2/1880	Rowland	
263,600 A		8/1882	Searing	
D28,619 S		5/1898	McFadden	
2,516,292 A		7/1950	Bennett	
3,545,795 A		12/1970	Hertel	
3,602,957 A		9/1971	Chang	
3,621,809 A		11/1971	Paxton	
3,662,480 A		5/1972	Gilson, Jr. et al.	
3,749,622 A		7/1973	Sato et al.	
3,777,378 A		12/1973	Sant'Anselmo	
3,930,506 A		1/1976	Overend	
3,933,560 A		1/1976	Muttera	
4,119,449 A		10/1978	Gould et al.	
D251,121 S		2/1979	Smith	
4,407,082 A		10/1983	Stehouwer	
4,749,426 A		6/1988	Wyss	
5,018,286 A		5/1991	Zahner	
5,087,306 A		2/1992	Cheung et al.	
5,131,614 A	*	7/1992	Garcia et al.	248/118
D338,195 S	*	8/1993	Sugerman	D14/461
5,322,724 A		6/1994	Levens	

5,348,781 A		9/1994	Koblella	
5,617,656 A		4/1997	Ludlow et al.	
D385,581 S	*	10/1997	Linz	D20/42
D386,211 S		11/1997	Taparuskas, Jr.	
5,697,177 A		12/1997	Ludlow et al.	
5,713,467 A	*	2/1998	Kao	206/349
5,733,652 A		3/1998	Stowman et al.	

(Continued)

Primary Examiner—Robert M. Spear

(74) *Attorney, Agent, or Firm*—Westman, Champlin & Kelly, P.A.; James L. Young

(57) **CLAIM**

The ornamental design for a merchandise tagging article, substantially as shown and described.

DESCRIPTION

FIG. 1 is a front, left, top perspective view of the merchandise tagging article showing my design;

FIG. 2 is a plan view of the front surface of the article;

FIG. 3 is a plan view of the rear surface of the article;

FIG. 4 is a side view of the article particularly showing details for my design at the joint between the tag portion and the elastic loop fastener portion of the article; the other side being a mirror image of this view;

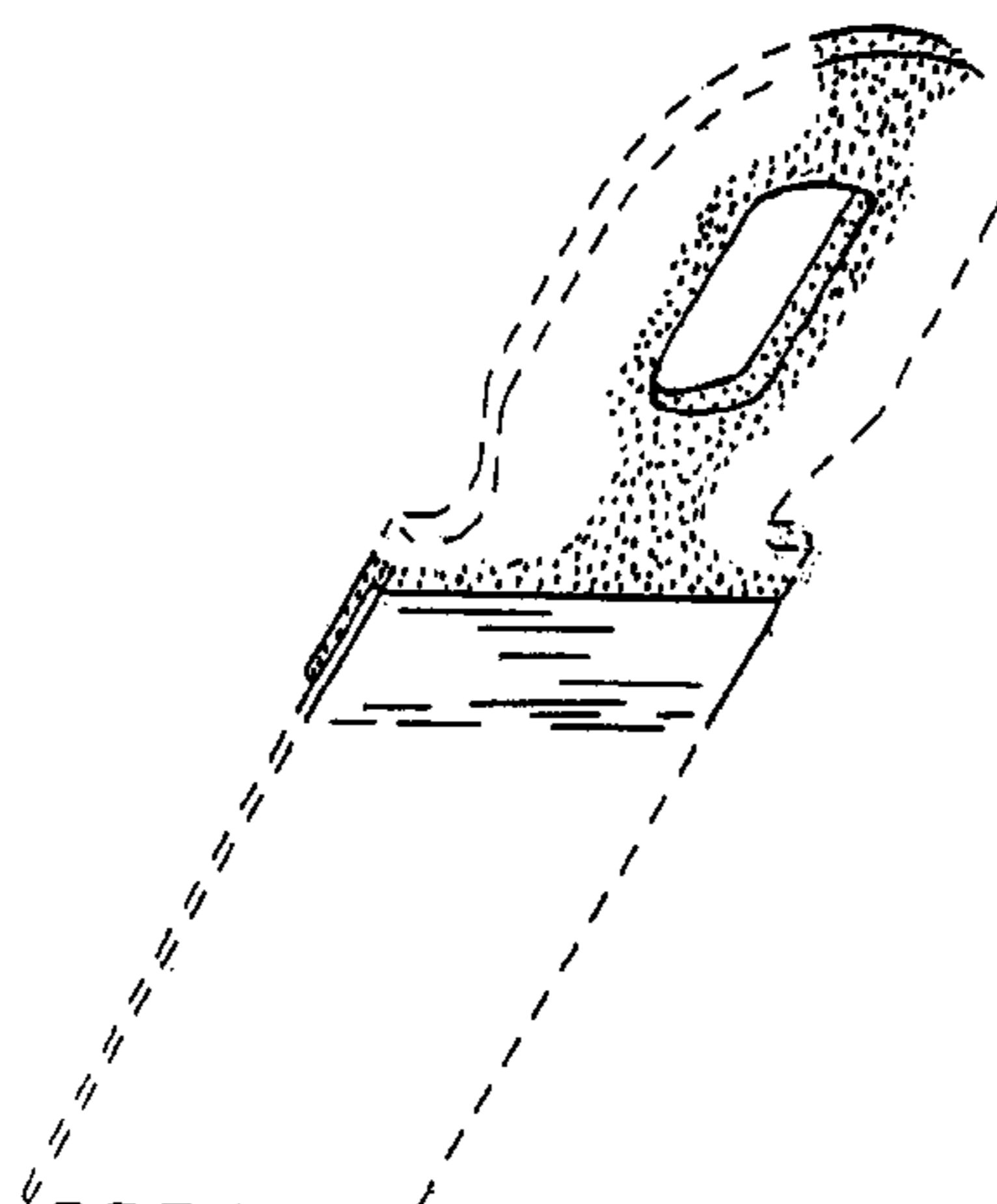
FIG. 5 is a magnified enlargement of the side view and is limited to my design at the joint between the tag portion and the elastic loop fastener portion of the article; and,

FIG. 6 is an elevational view of the bottom end of the tag portion of the article.

The phantom representations in the drawing are for the purpose of illustrating the environment in which my design is used. The structure shown by broken lines of phantom is not part of the claimed design.

The characteristic feature emphasized in the drawing for my design is at the joint between the tag portion and elastic loop fastener portion, where the front surface of the elastic loop fastener portion and the front surface of the tag portion lie in substantially the same plane, while the rear surface of the elastic loop fastener portion at the joint lies in a plane outward from the plane of the rear surface of the tag portion.

1 Claim, 1 Drawing Sheet



US D532,049 S

Page 2

U.S. PATENT DOCUMENTS			
5,778,583	A	7/1998	Larsen
6,058,639	A	5/2000	Tinklenberg et al.
6,076,669	A *	6/2000	Ling 206/349
6,270,834	B1	8/2001	Burrows
6,271,631	B1	8/2001	Burrows
6,279,255	B1	8/2001	Larsen
6,378,700	B1 *	4/2002	Tong 206/376
6,413,122	B1 *	7/2002	Fujioka 439/680
D494,066	S *	8/2004	Liu D9/457
D501,892	S *	2/2005	Perry D20/42
2003/0150919	A1	8/2003	Blank

* cited by examiner

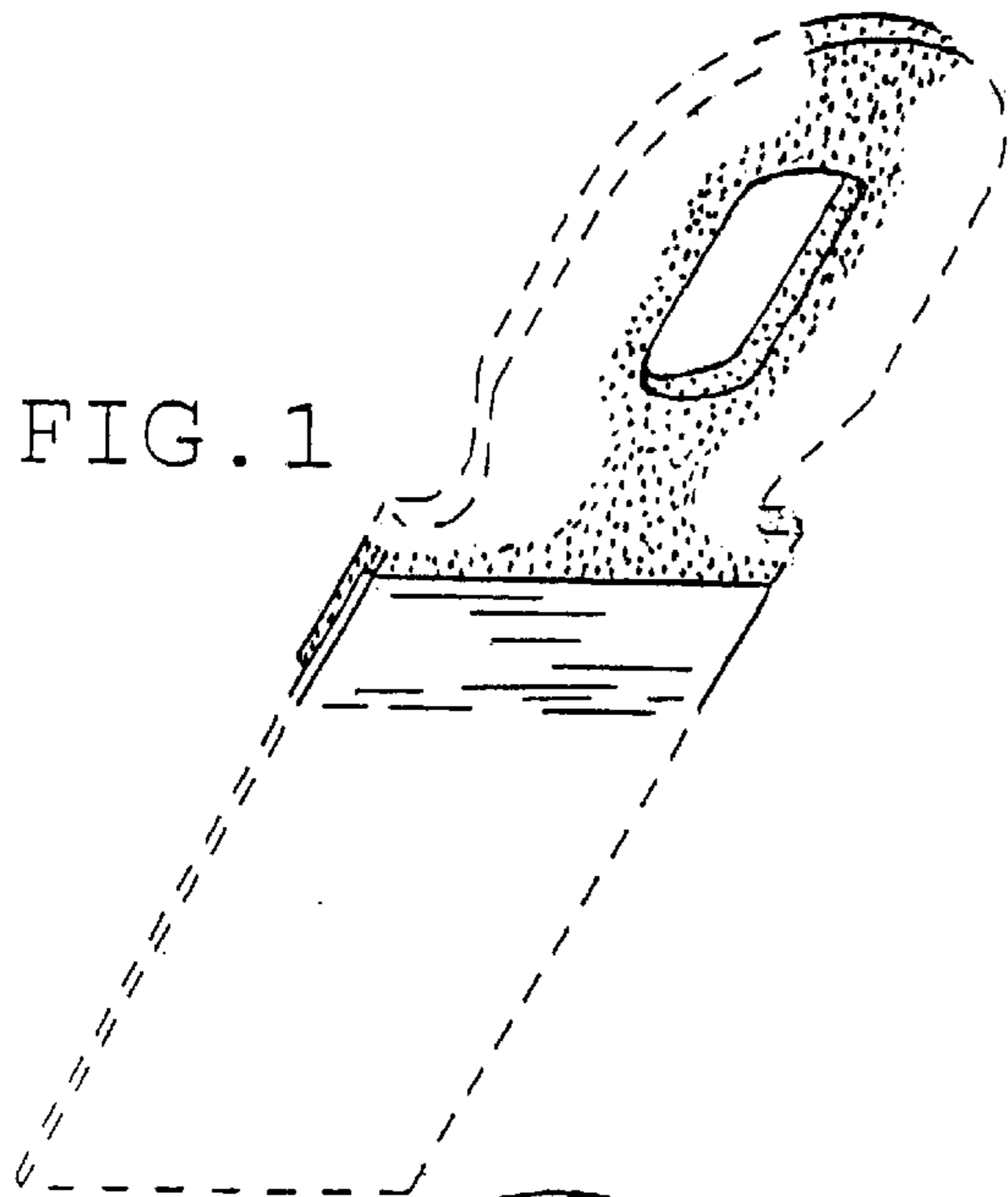


FIG. 1

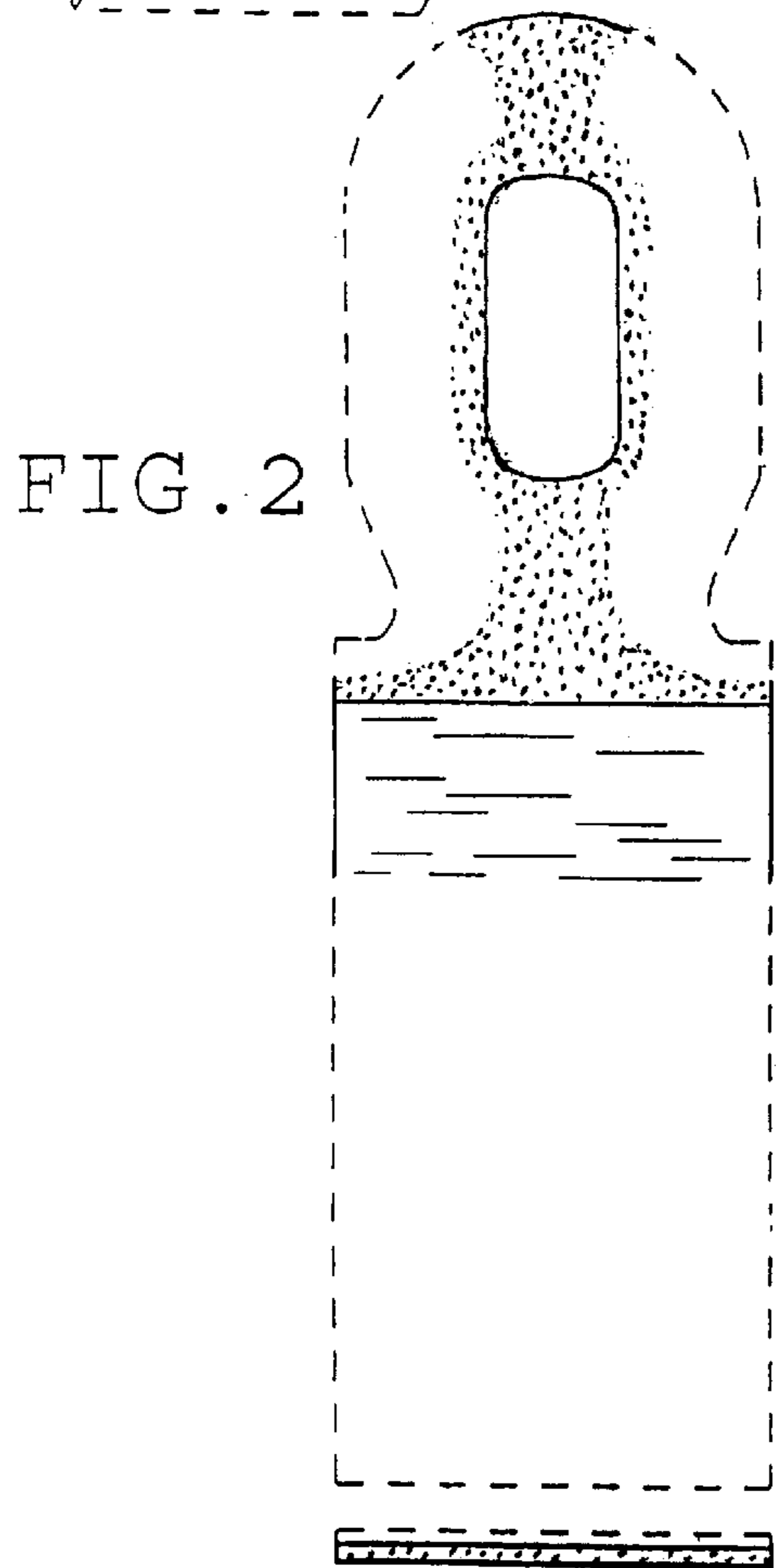


FIG. 2

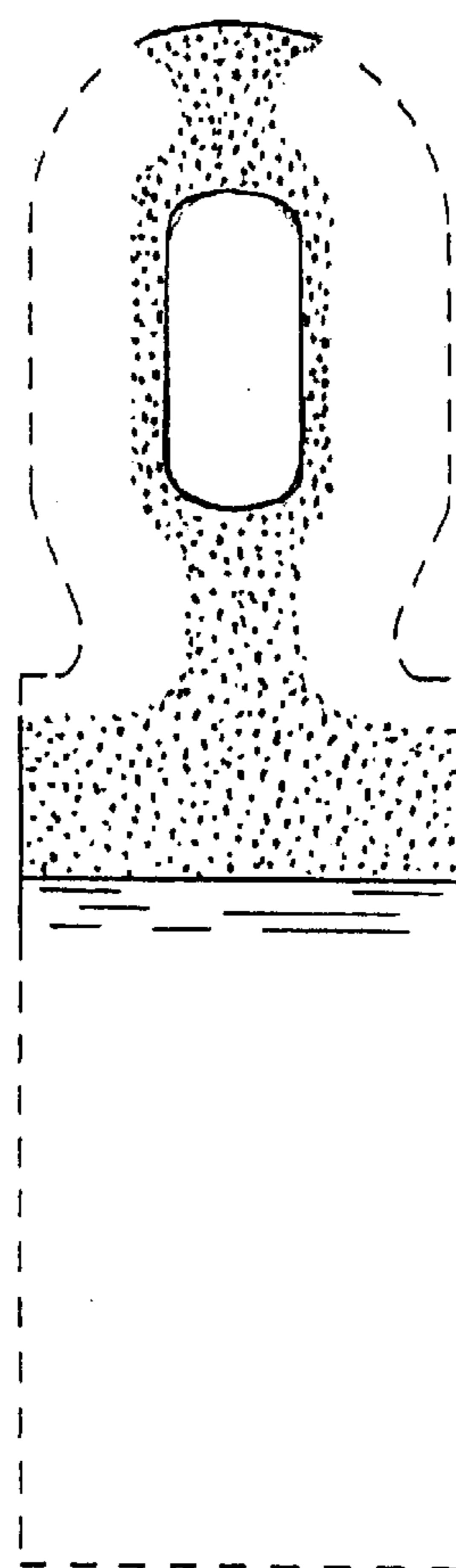


FIG. 3



FIG. 4

FIG. 5



FIG. 6