



US00D532048S

(12) **United States Design Patent**
Delaney

(10) **Patent No.:** **US D532,048 S**

(45) **Date of Patent:** **** Nov. 14, 2006**

(54) **PRIVACY TABLET**

(75) Inventor: **John Delaney**, Greensboro, NC (US)

(73) Assignee: **Genuity Concepts, Inc.**, Greensboro, NC (US)

(**) Term: **14 Years**

(21) Appl. No.: **29/226,255**

(22) Filed: **Mar. 25, 2005**

(51) **LOC (8) Cl.** **19-02**

(52) **U.S. Cl.** **D19/88**

(58) **Field of Classification Search** D6/406.3,
D6/420; D19/52, 78, 86, 87, 88, 90, 91, 92;
24/67.3, 67.5, 67.7; 211/50; 248/447, 452;
281/44, 45; 362/99

See application file for complete search history.

(56) **References Cited**

U.S. PATENT DOCUMENTS

- D117,096 S * 10/1939 Good et al. D19/52
- D313,819 S * 1/1991 Craft et al. D19/88
- D318,197 S * 7/1991 Butler D6/468

- D346,366 S * 4/1994 Kim et al. D14/342
- D410,945 S * 6/1999 Chu D18/2
- D436,951 S * 1/2001 Andresen D14/336

* cited by examiner

Primary Examiner—Elizabeth A. Albert

(74) *Attorney, Agent, or Firm*—The Soni Law Firm

(57) **CLAIM**

The ornamental design for a privacy tablet, as shown and described.

DESCRIPTION

FIG. 1 is a left front perspective view of the privacy tablet showing my new design;

FIG. 2 is a front plan view of the privacy table of FIG. 1;

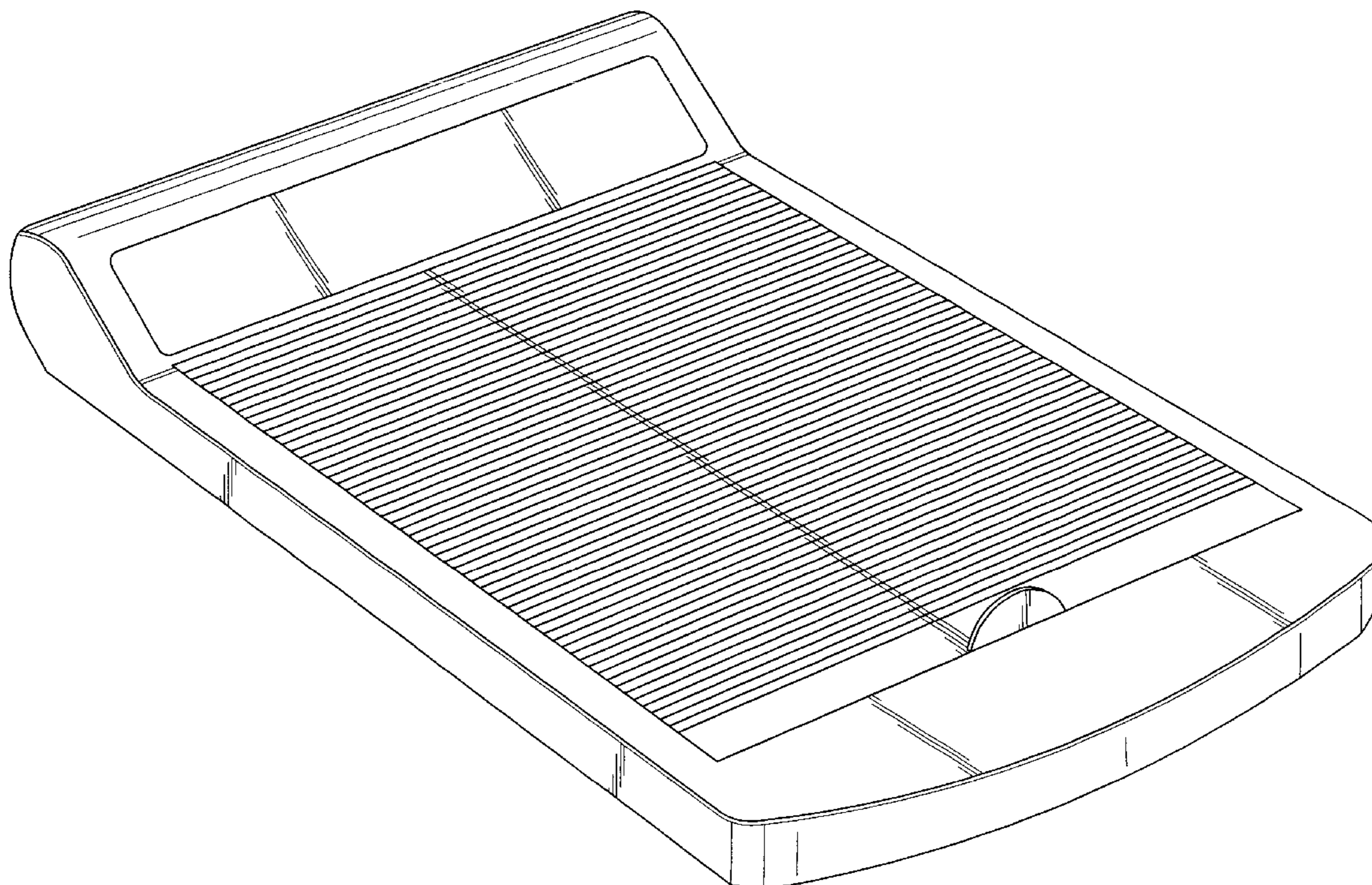
FIG. 3 is a side elevation view of the privacy tablet of FIG. 1;

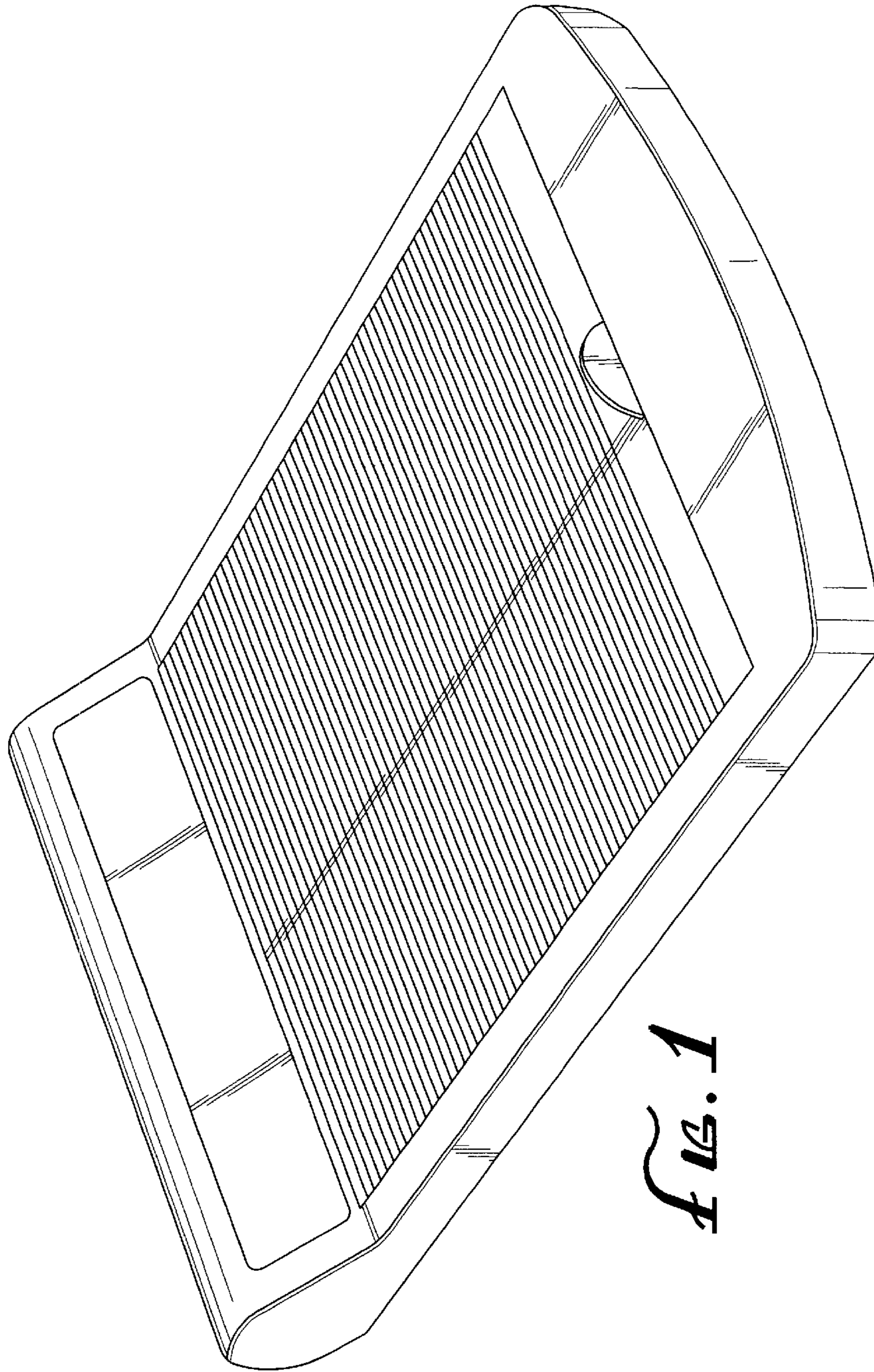
FIG. 4 is a bottom elevation view of the privacy tablet of FIG. 1;

FIG. 5 is a top elevation view of the privacy tablet of FIG. 1; and,

FIG. 6 is a rear plan view of the privacy tablet of FIG. 1.

1 Claim, 4 Drawing Sheets





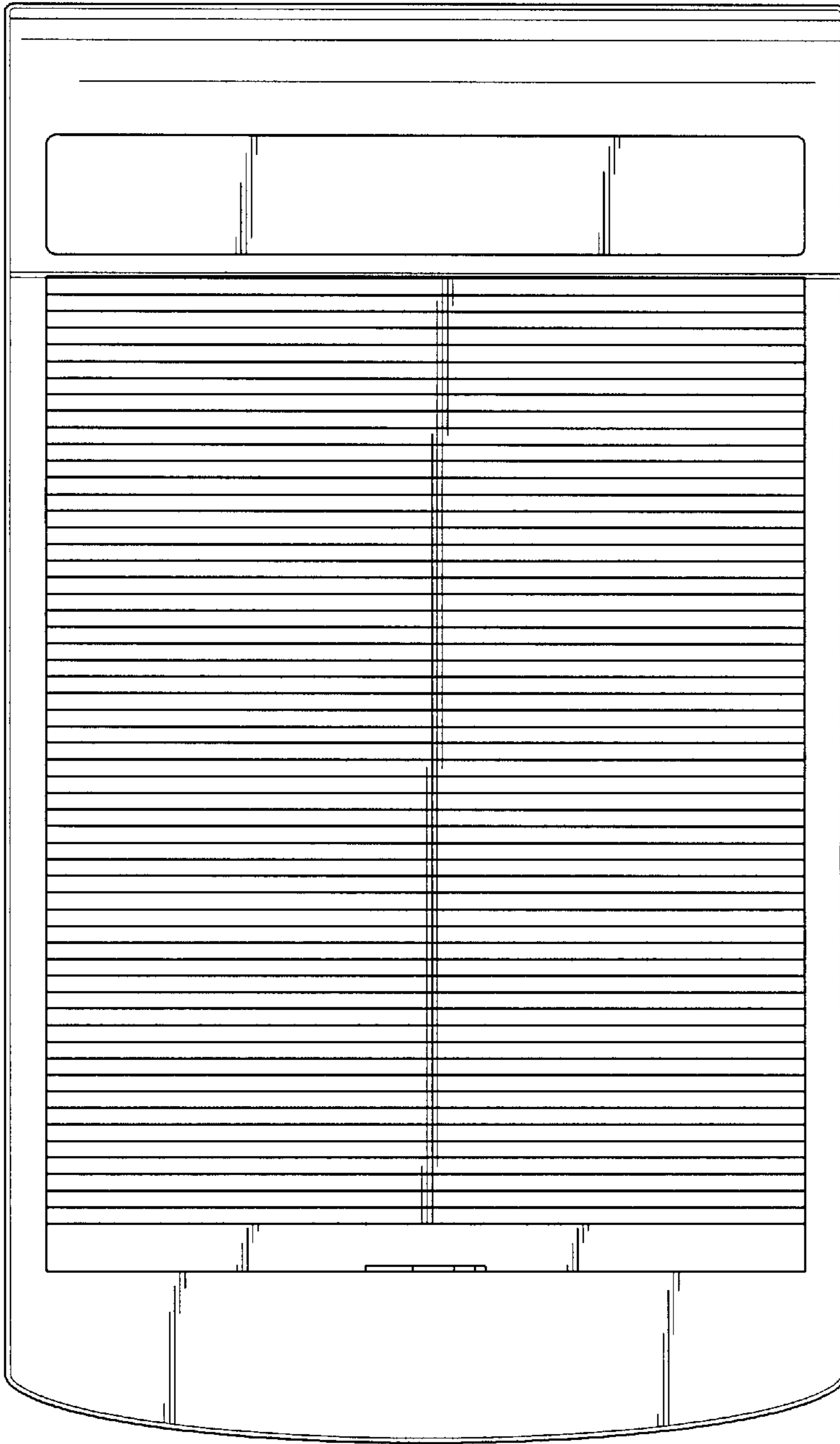


Fig. 2

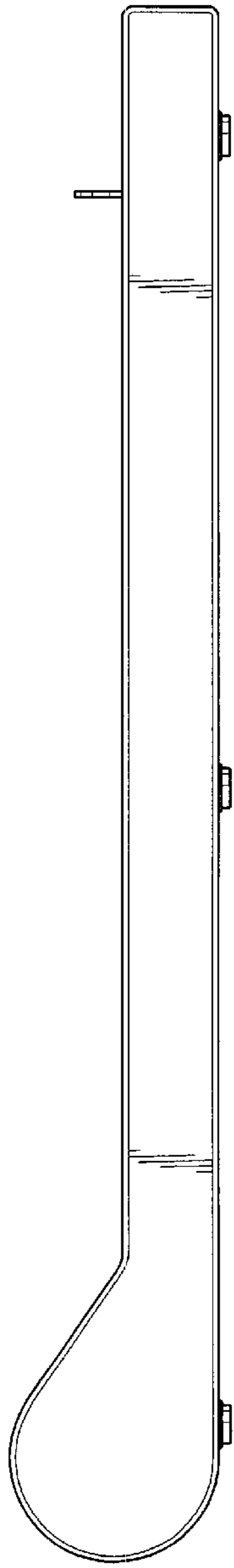


Fig. 3

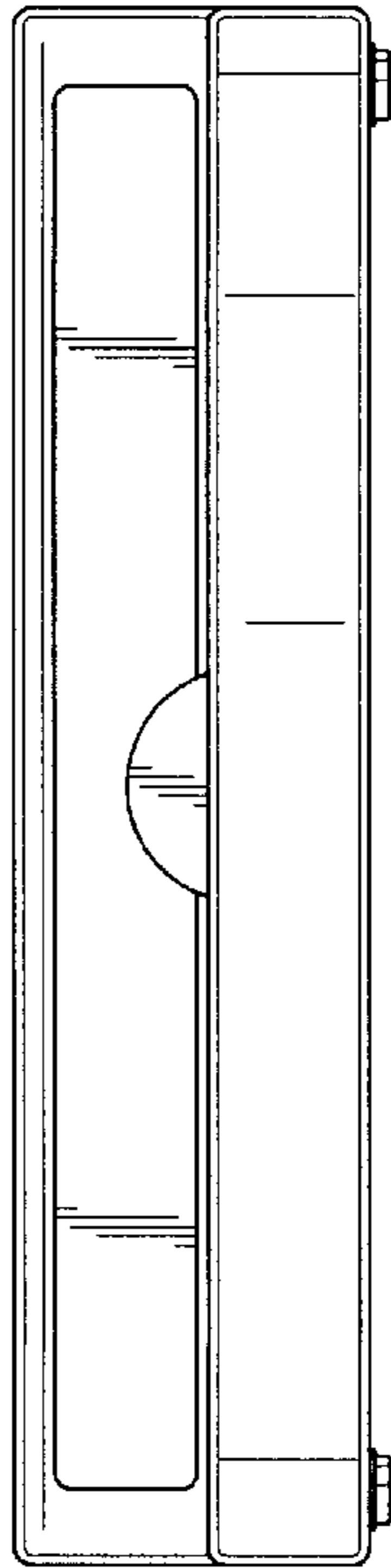


Fig. 4

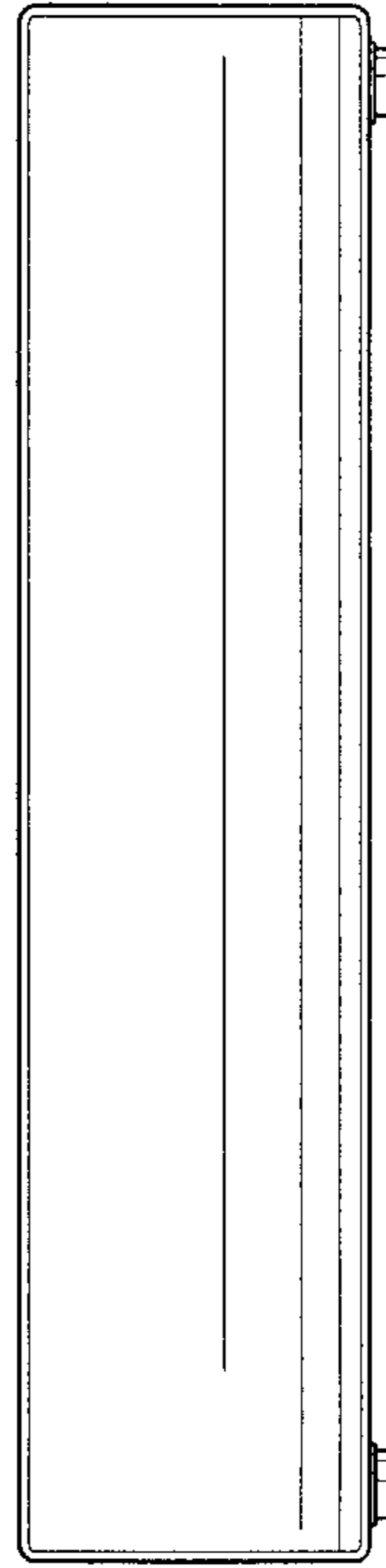


Fig. 5

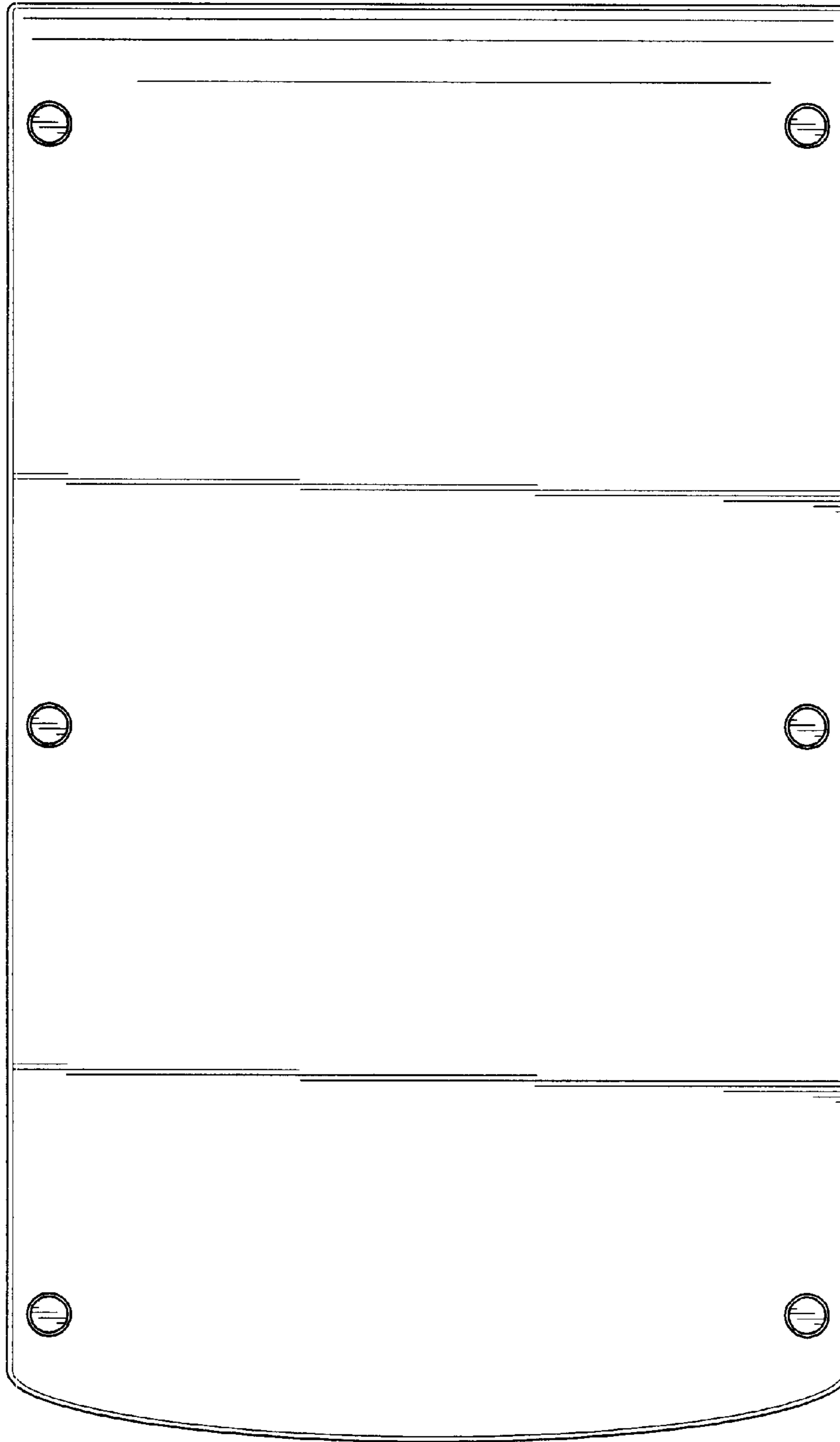


FIG. 0