

US00D532046S

(12) **United States Design Patent**  
**Paulus et al.**

(10) **Patent No.:** **US D532,046 S**

(45) **Date of Patent:** **\*\* Nov. 14, 2006**

(54) **CORRECTION TAPE**

(75) Inventors: **Lutz Paulus**, Neuss (DE); **Wulf Herrmannsen**, Ronnenberg (DE); **Anja Jansen**, Ratingen (DE); **Werner Moosmann**, Tennenbronn (DE)

(73) Assignee: **Henkel Kommanditgesellschaft auf Aktien**, Duesseldorf (DE)

(\*\*) Term: **14 Years**

(21) Appl. No.: **29/244,738**

(22) Filed: **Dec. 14, 2005**

D410,494 S	6/1999	Hoffmann
D421,059 S	2/2000	Shimizu
6,098,911 A	8/2000	Sheldon
D436,625 S	1/2001	Katami
D446,246 S	8/2001	Kimura
D451,960 S	12/2001	Shimizu
D456,450 S	4/2002	Kimura
6,363,992 B1	4/2002	Semmler
6,453,969 B1	9/2002	Ferrara
D466,554 S	12/2002	Yonezawa et al.
D467,280 S	12/2002	Van Zuthem-Maasdam et al.
D467,617 S	12/2002	Soetewey
D475,745 S	6/2003	Ono
D476,035 S	6/2003	Katami
D491,986 S	6/2004	Bain
D494,221 S	8/2004	Suzuki

**Related U.S. Application Data**

(62) Division of application No. 29/212,296, filed on Aug. 30, 2004.

(30) **Foreign Application Priority Data**

Feb. 28, 2004 (DE) ..... 404 01 292

(51) **LOC (8) Cl.** ..... **19-02**

(52) **U.S. Cl.** ..... **D19/69**

(58) **Field of Classification Search** ..... D19/66, D19/67, 68, 69, 70; 156/523, 527, 540, 577; 206/411; 225/6, 25, 39, 77; 242/588, 588.1, 242/588.2, 588.3, 588.6, 598.5

See application file for complete search history.

(56) **References Cited**

**U.S. PATENT DOCUMENTS**

D355,934 S 2/1995 Oga et al.  
D410,034 S 5/1999 Grobbel

*Primary Examiner*—Elizabeth A. Albert

(74) *Attorney, Agent, or Firm*—Stephen D. Harper; Glenn E. J. Murphy

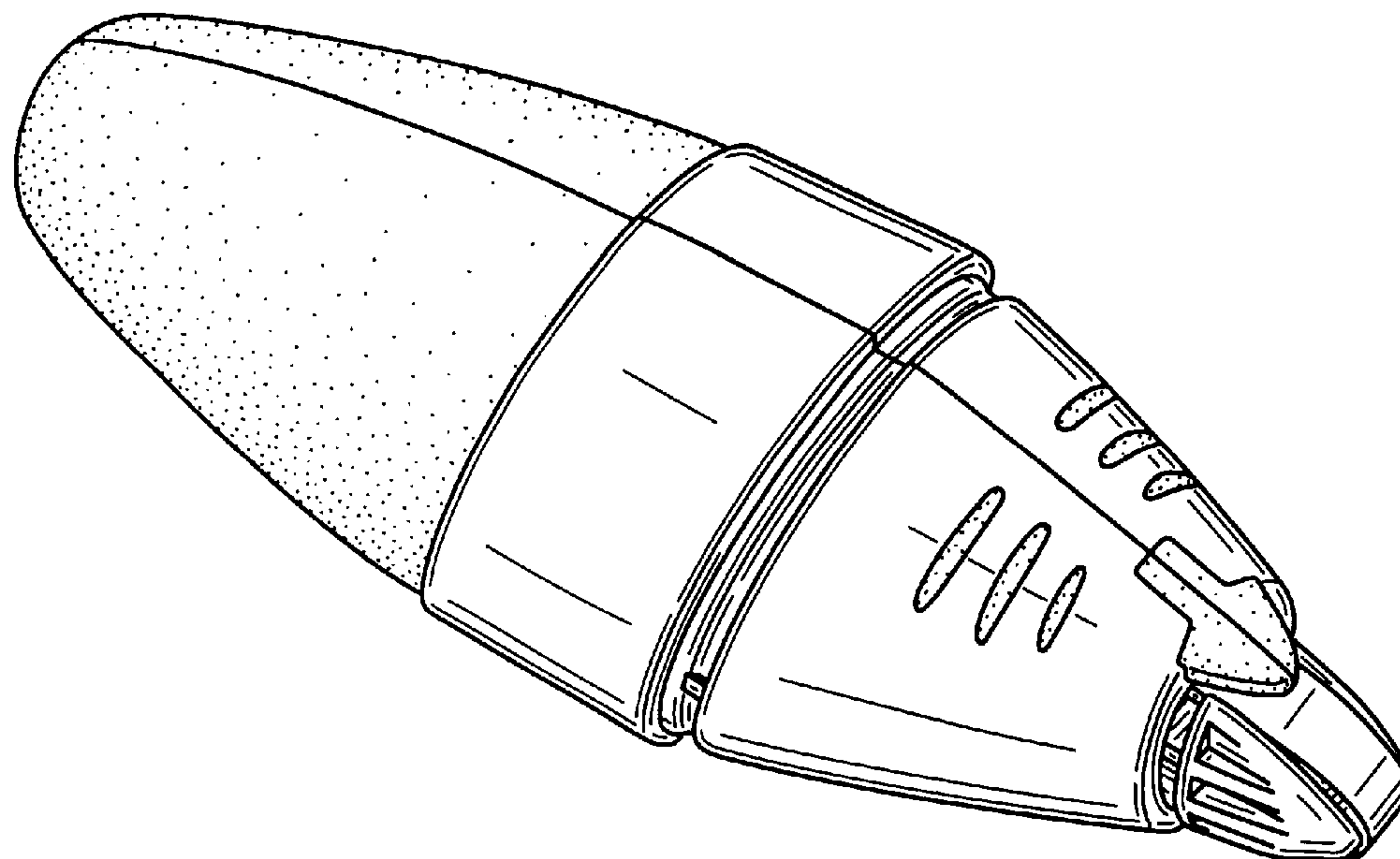
(57) **CLAIM**

The ornamental design for a correction tape, as shown and described.

**DESCRIPTION**

FIG. 1 is a top left perspective view of a correction tape according to the new design;  
FIG. 2 is a left elevation view thereof;  
FIG. 3 is a right elevation view thereof;  
FIG. 4 is a top plan view thereof;  
FIG. 5 is a bottom plan view thereof;  
FIG. 6 is a front elevation view thereof; and,  
FIG. 7 is a rear elevation view thereof.

**1 Claim, 3 Drawing Sheets**



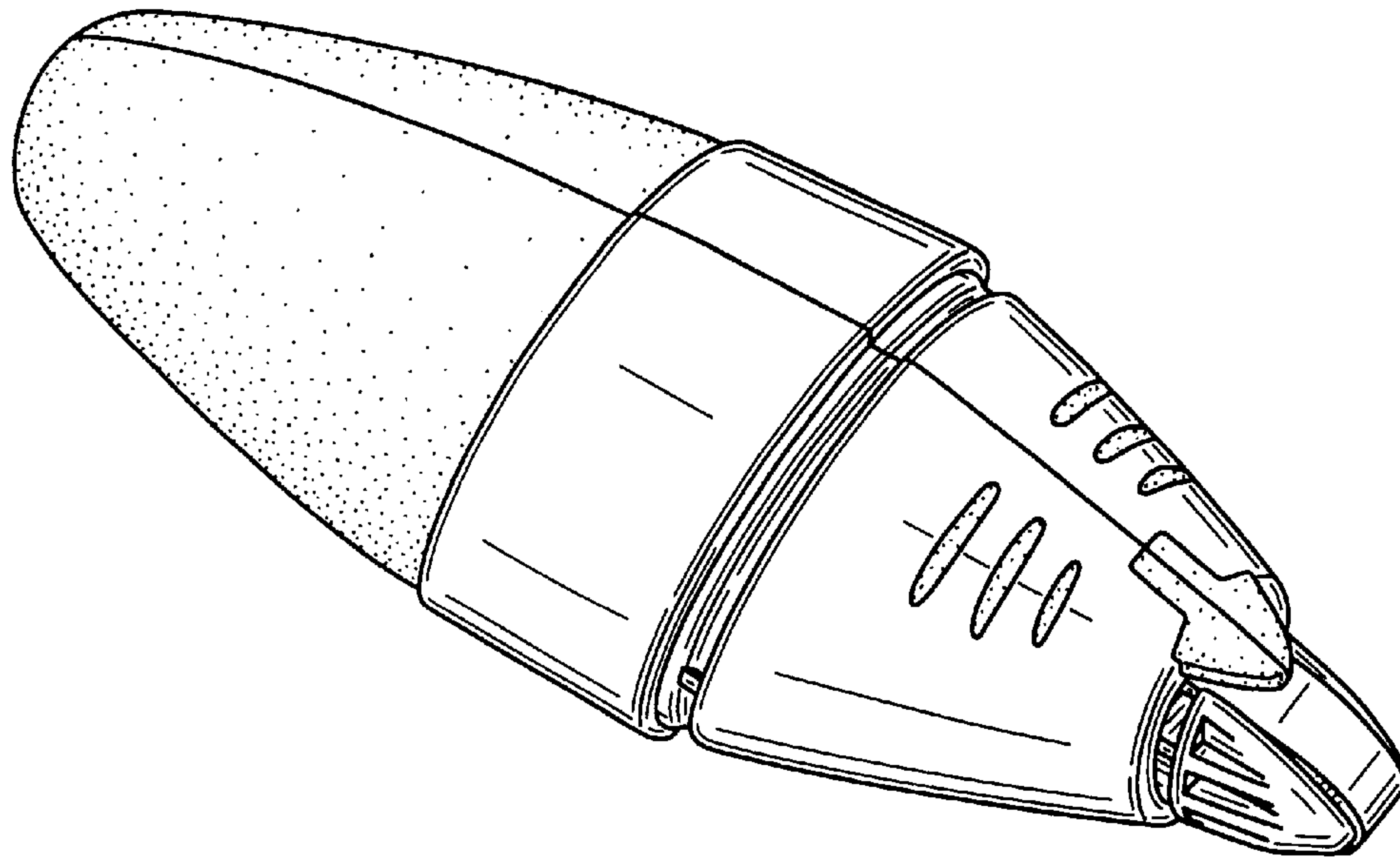


FIG. 1

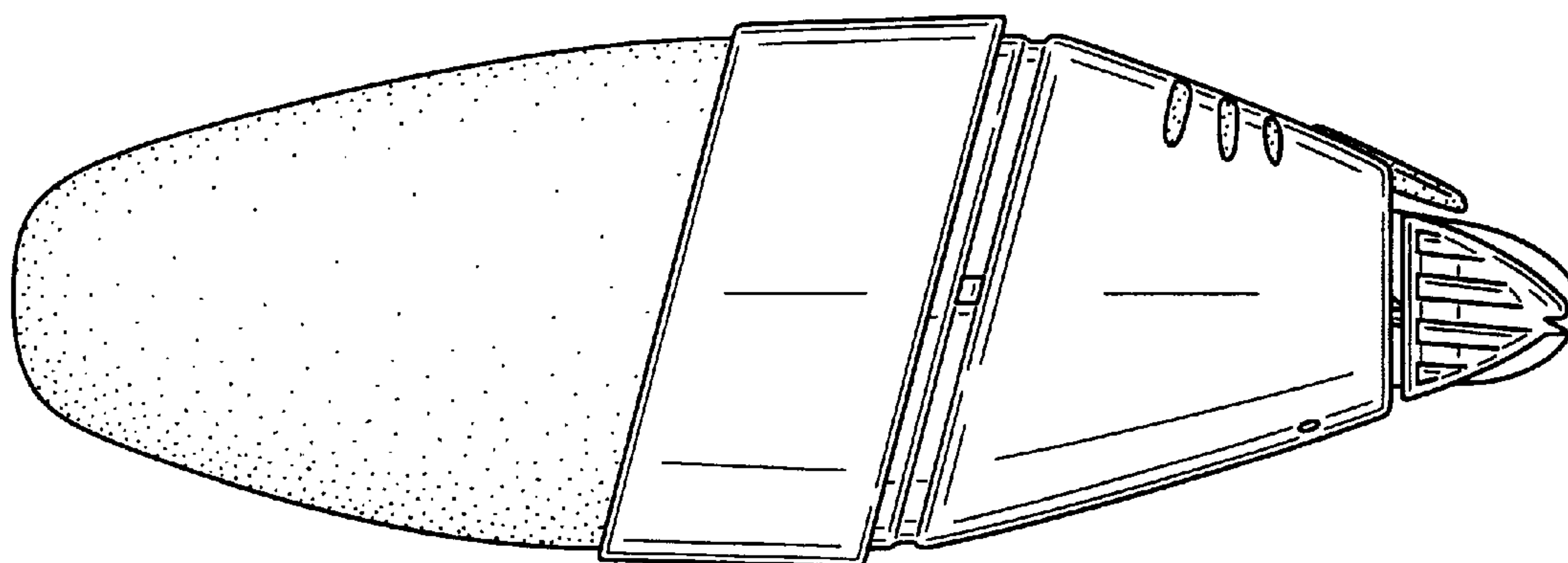


FIG. 2

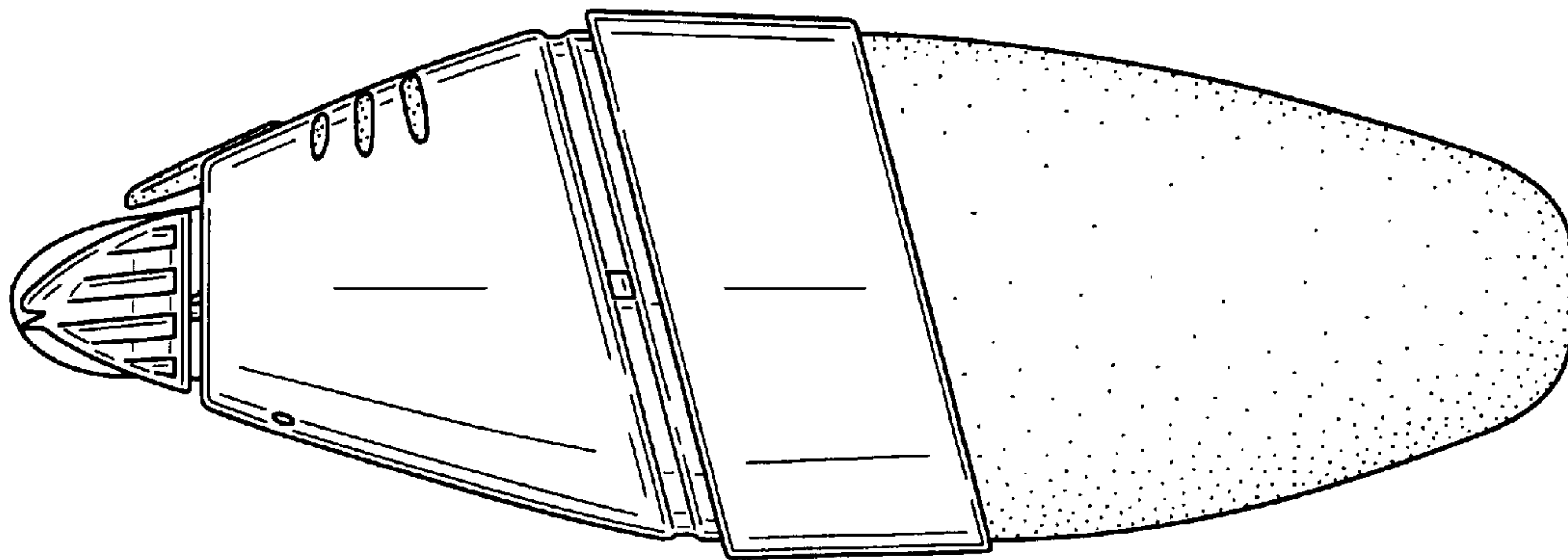


FIG. 3

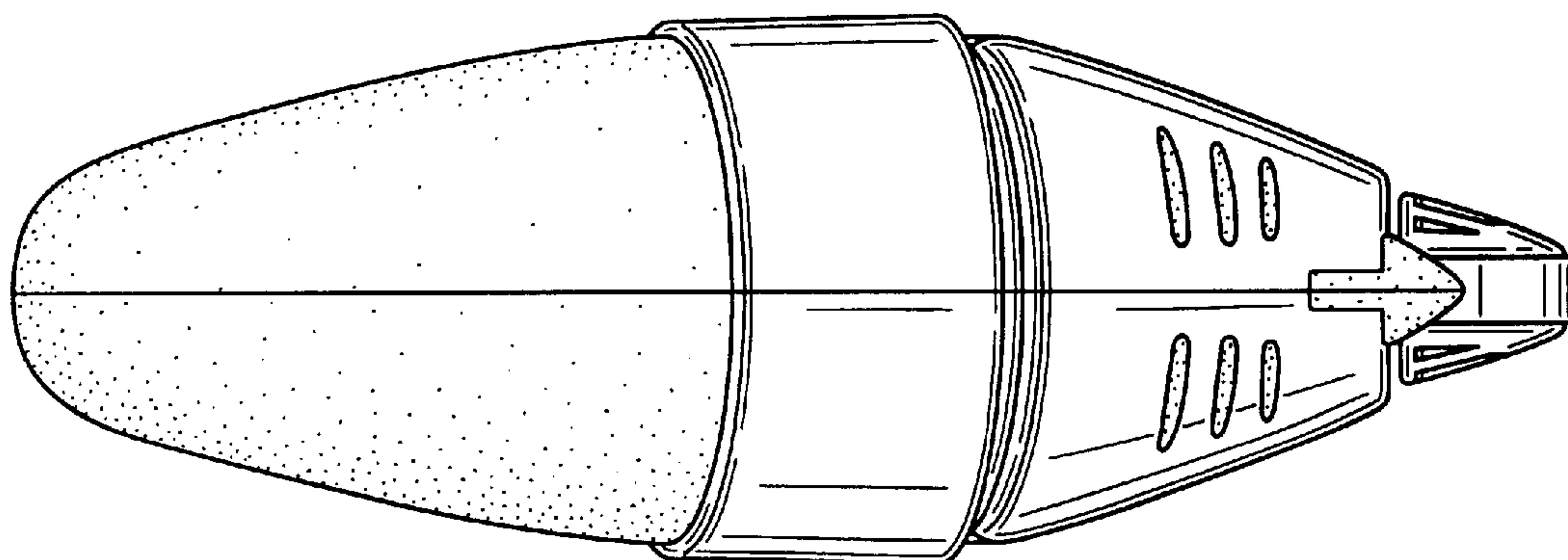


FIG. 4

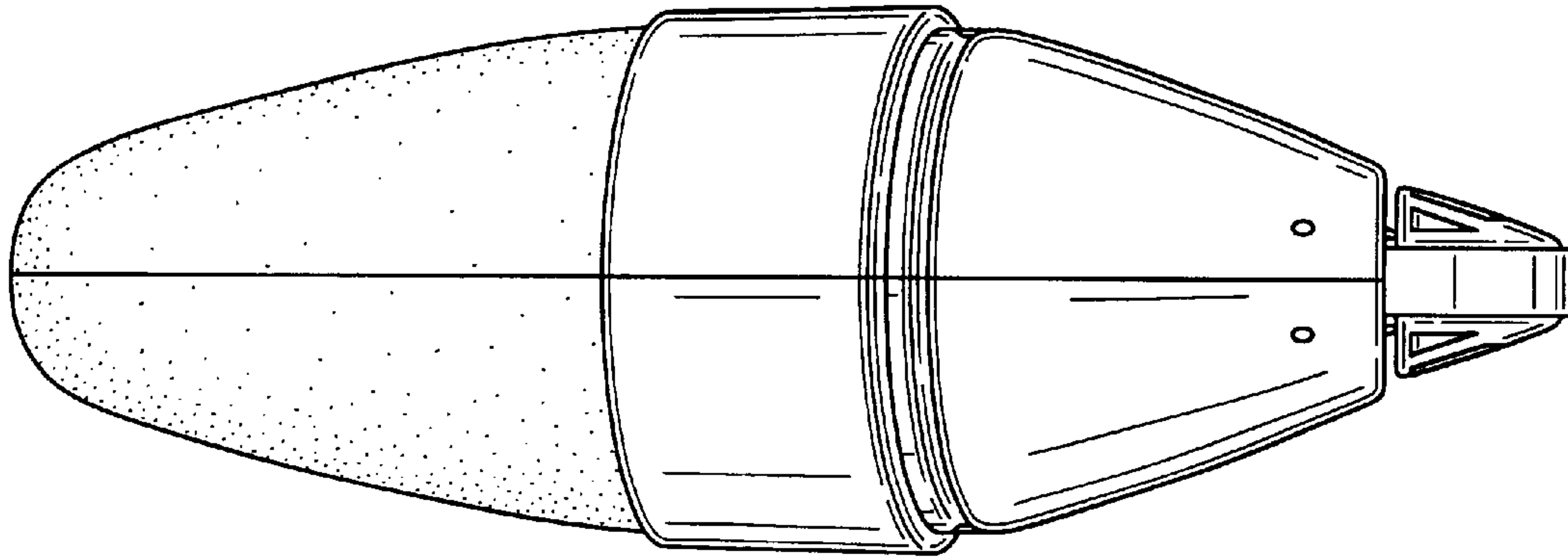


FIG. 5

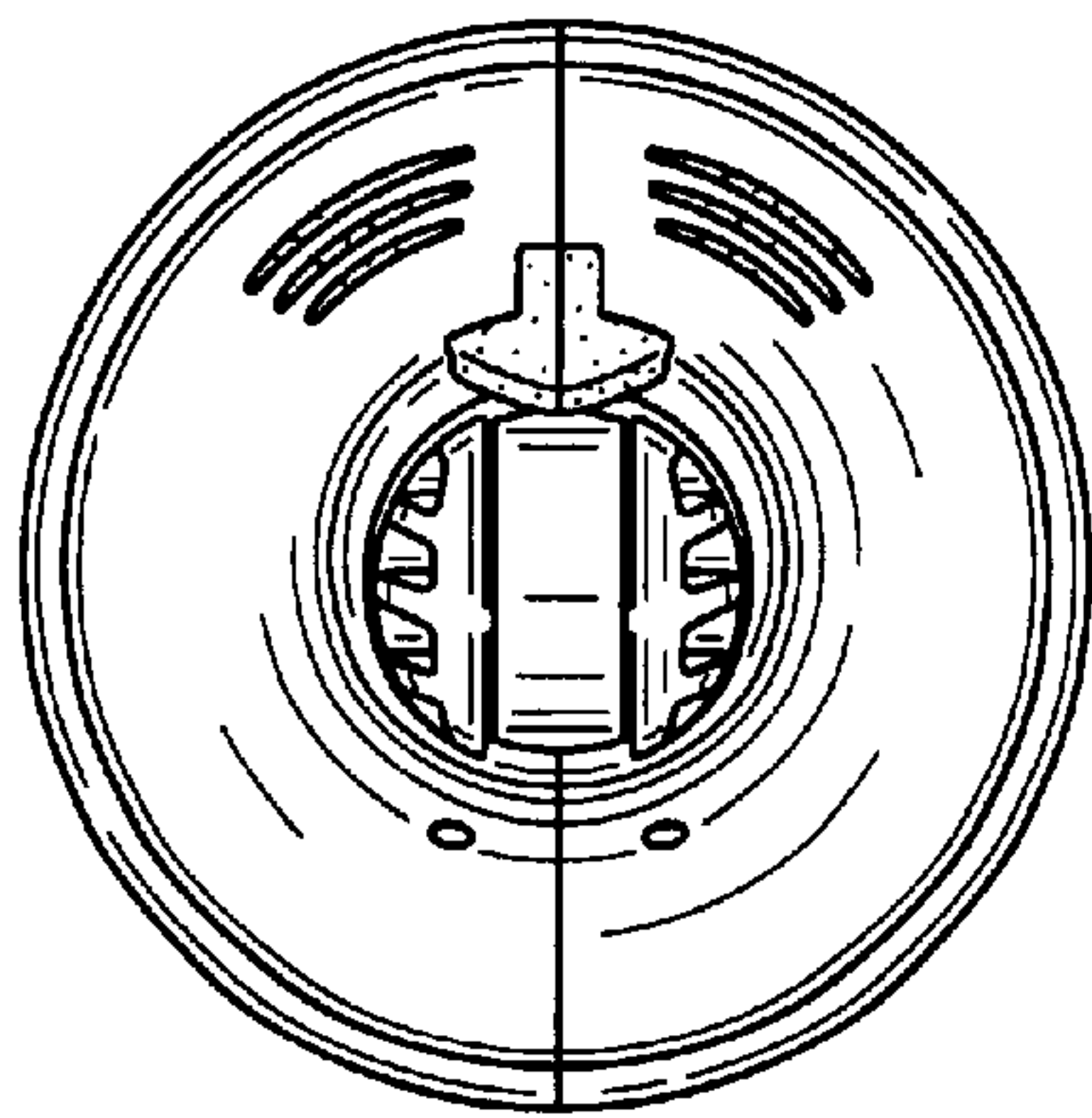


FIG. 6

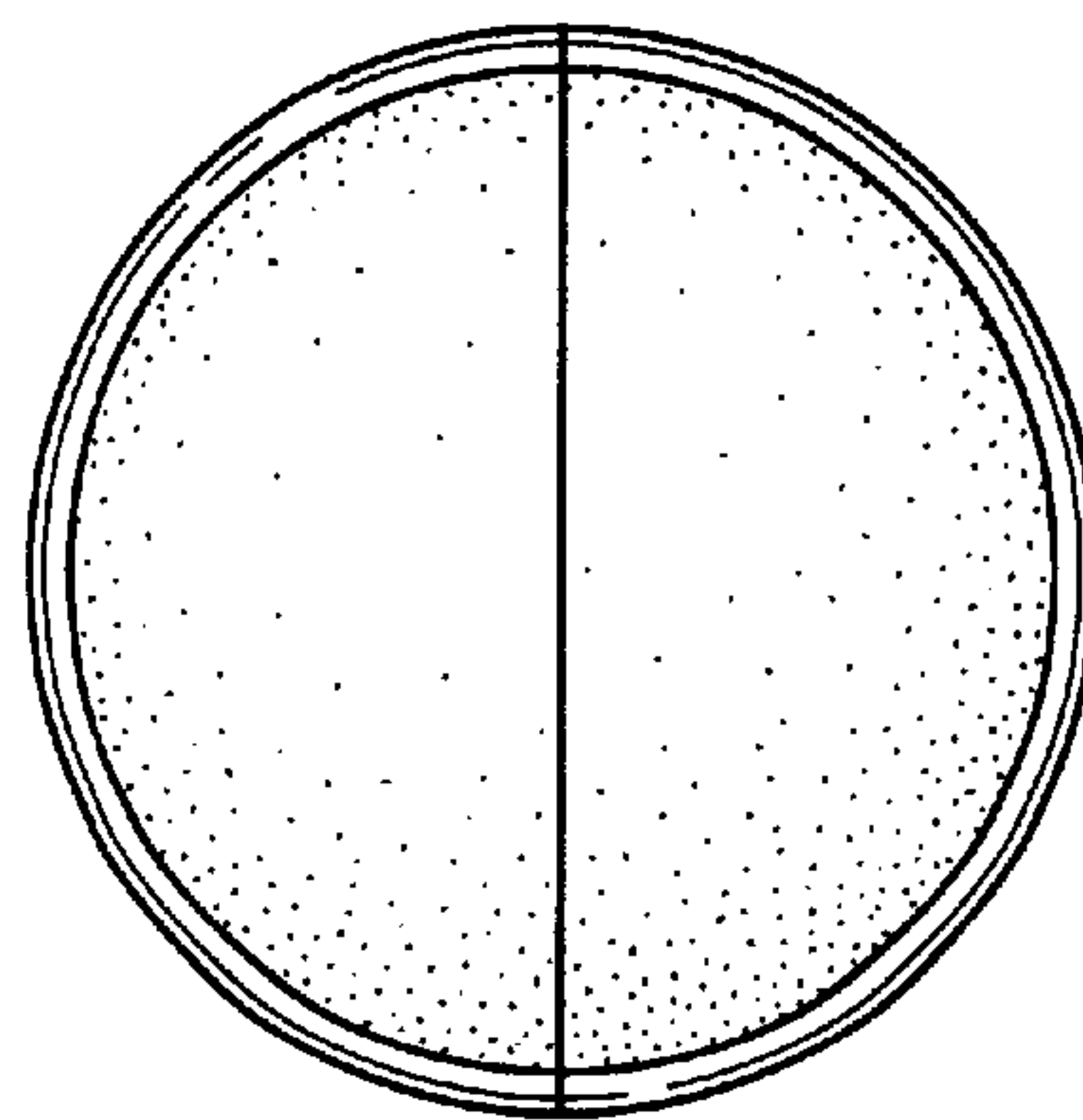


FIG. 7