



US00D532042S

(12) **United States Design Patent**
Gant

(10) **Patent No.:** **US D532,042 S**

(45) **Date of Patent:** **** Nov. 14, 2006**

(54) **PRINTER**

(75) Inventor: **Scott R. Gant**, San Diego, CA (US)

(73) Assignee: **Hewlett-Packard Development Company, L.P.**, Houston, TX (US)

(**) Term: **14 Years**

(21) Appl. No.: **29/227,271**

(22) Filed: **Apr. 8, 2005**

(51) **LOC (8) Cl.** **14-02**

(52) **U.S. Cl.** **D18/50**

(58) **Field of Classification Search** D18/36-39,
D18/53-54, 54.1, 55; D14/420-425, 462-470;
399/107; 400/613, 613.1-613.4, 691-694
See application file for complete search history.

(56) **References Cited**

U.S. PATENT DOCUMENTS

D331,580 S	*	12/1992	Sakaue et al.	D14/463
D398,632 S	*	9/1998	Dodge et al.	D18/36
D399,869 S	*	10/1998	Yoshida et al.	D18/39
D408,443 S	*	4/1999	Sasaki	D18/36
D421,043 S	*	2/2000	Shibata et al.	D18/39
D423,040 S	*	4/2000	Ohta et al.	D18/36
D435,063 S	*	12/2000	Gerstein et al.	D18/56
D459,752 S	*	7/2002	Shiozaki	D18/36
D464,659 S	*	10/2002	Nanri	D14/463
D483,401 S	*	12/2003	LaBarbera	D18/53

D487,107 S	*	2/2004	Ohashi	D18/39
D491,219 S	*	6/2004	Shimamura	D18/50
D493,817 S	*	8/2004	Yoshida et al.	D18/39
D501,667 S	*	2/2005	Ishigami et al.	D18/50
D501,874 S	*	2/2005	Ishigami	D18/50
D502,212 S	*	2/2005	Ishigami	D18/50
D502,500 S	*	3/2005	Hoshiya et al.	D18/50
D502,732 S	*	3/2005	Ishigami	D18/50
D520,558 S	*	5/2006	Matsumoto et al.	D18/50

* cited by examiner

Primary Examiner—Cathy Anne MacCormac

(57) **CLAIM**

I claim the ornamental design for a printer, as shown and described.

DESCRIPTION

FIG. 1 is a top perspective view of a printer showing my new design;

FIG. 2 is a front elevational view thereof;

FIG. 3 is a top plan view thereof;

FIG. 4 is a left-side elevational view thereof;

FIG. 5 is a right-side elevational view thereof;

FIG. 6 is a rear elevational view thereof; and,

FIG. 7 is another top perspective view of showing the control panel in an alternate position.

The broken lines in the drawings are for illustrative purposes only and form no part of the claimed design.

1 Claim, 7 Drawing Sheets

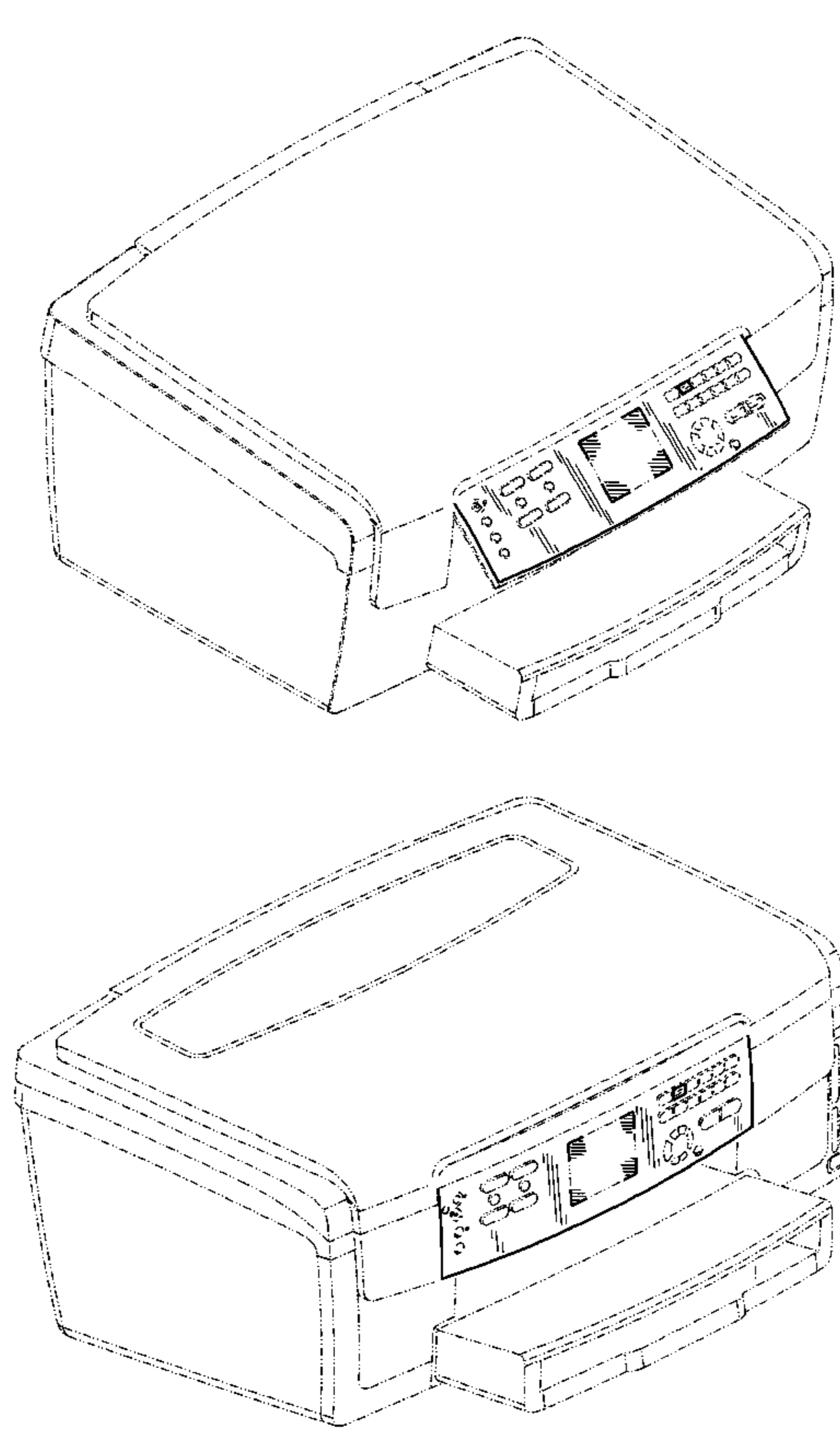
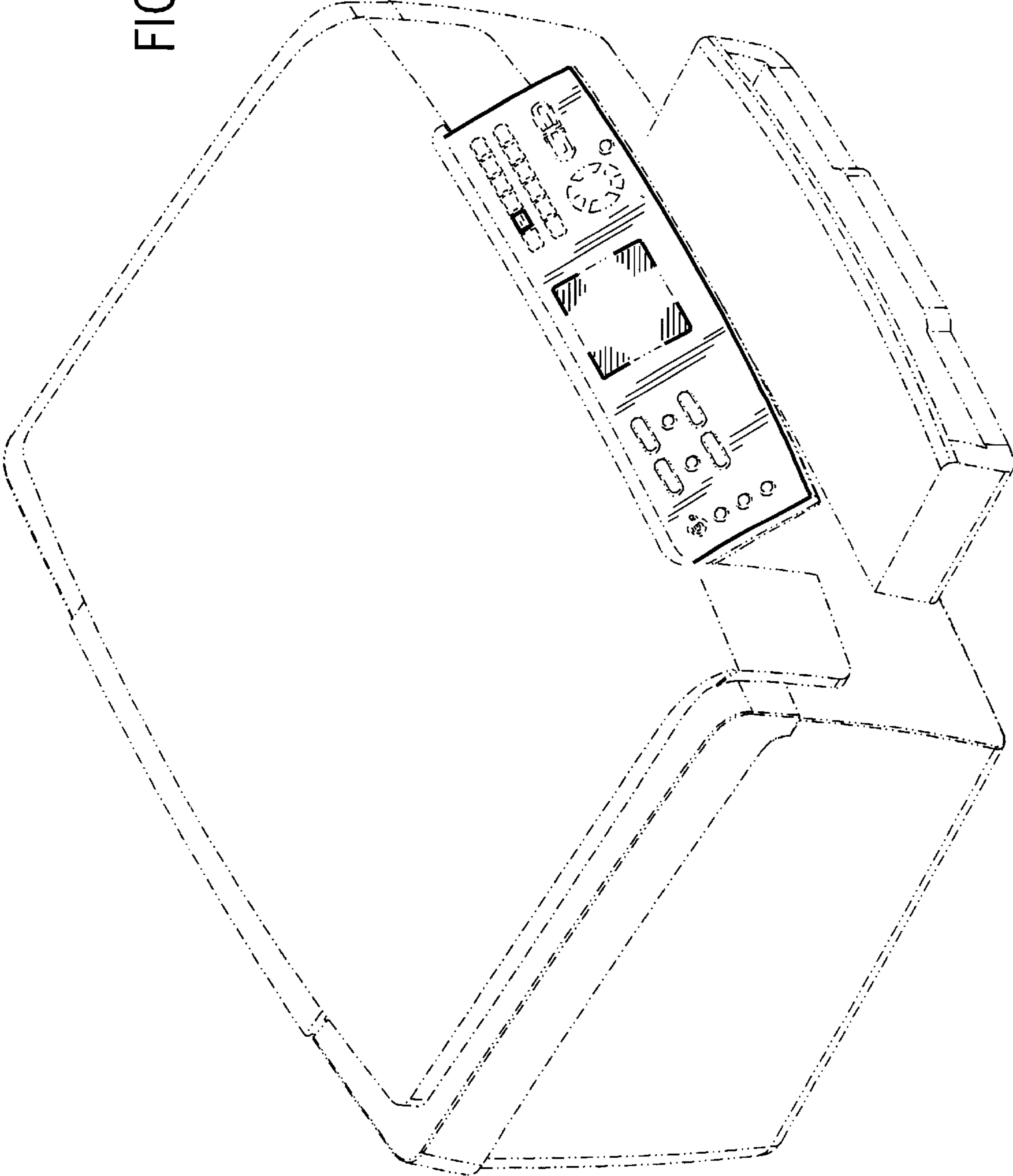


FIG. 1



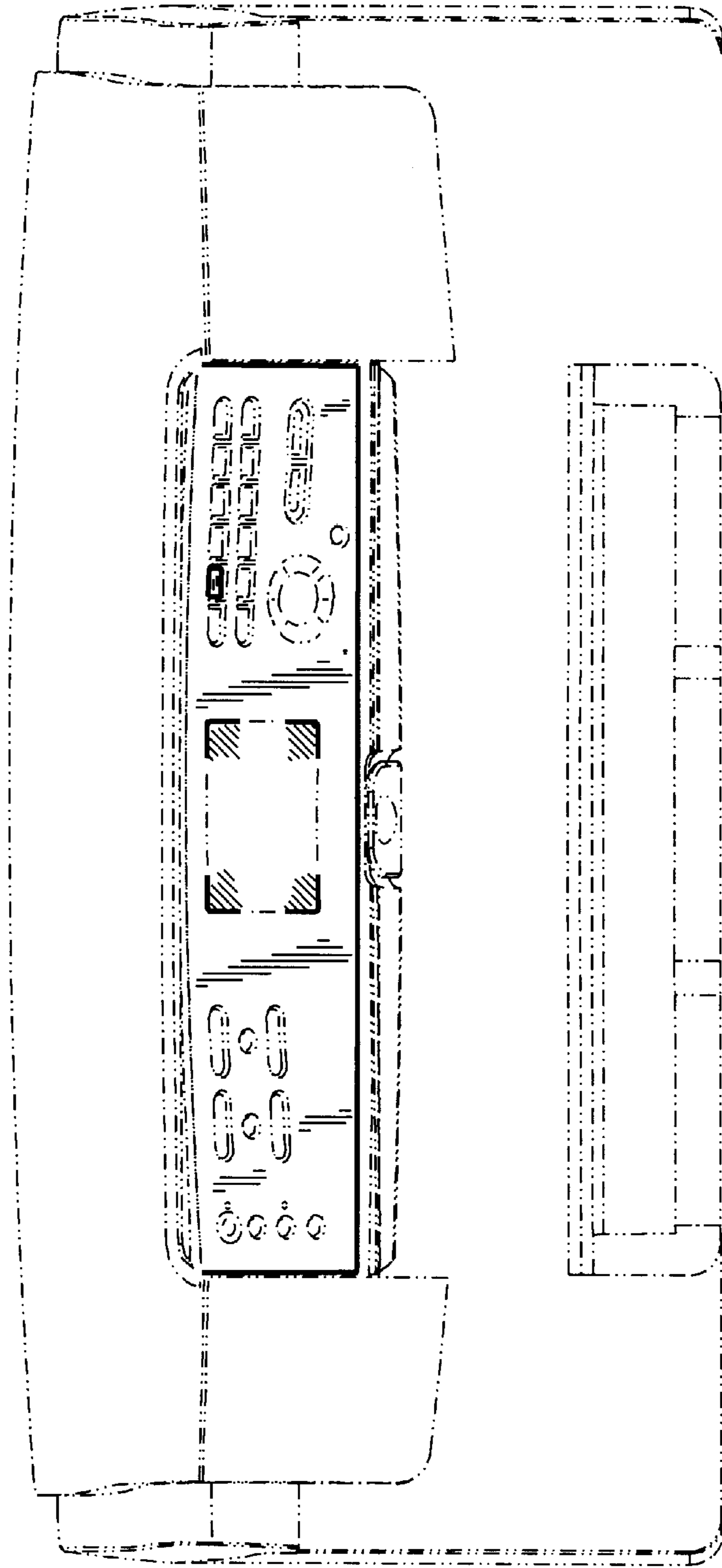


FIG. 2

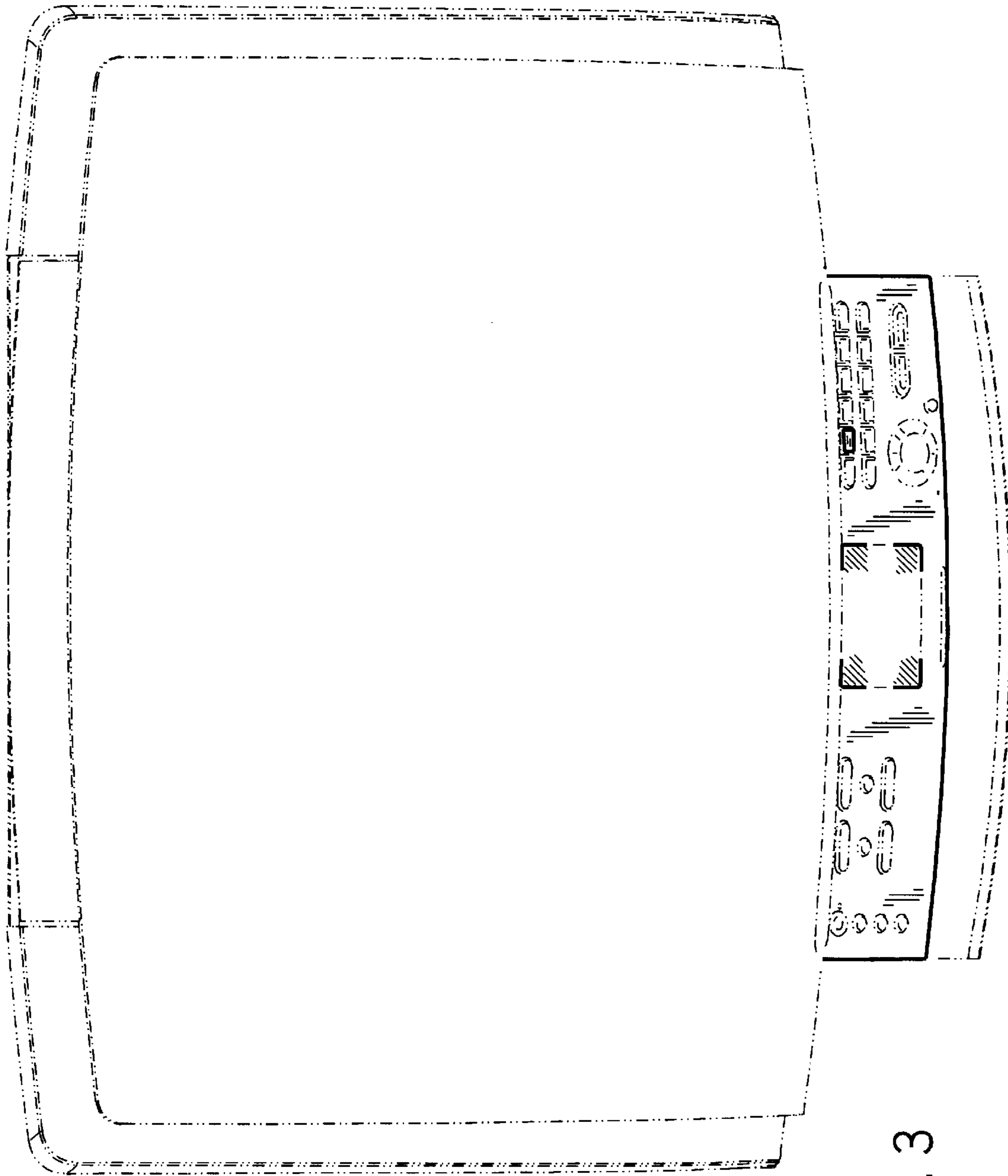


FIG. 3

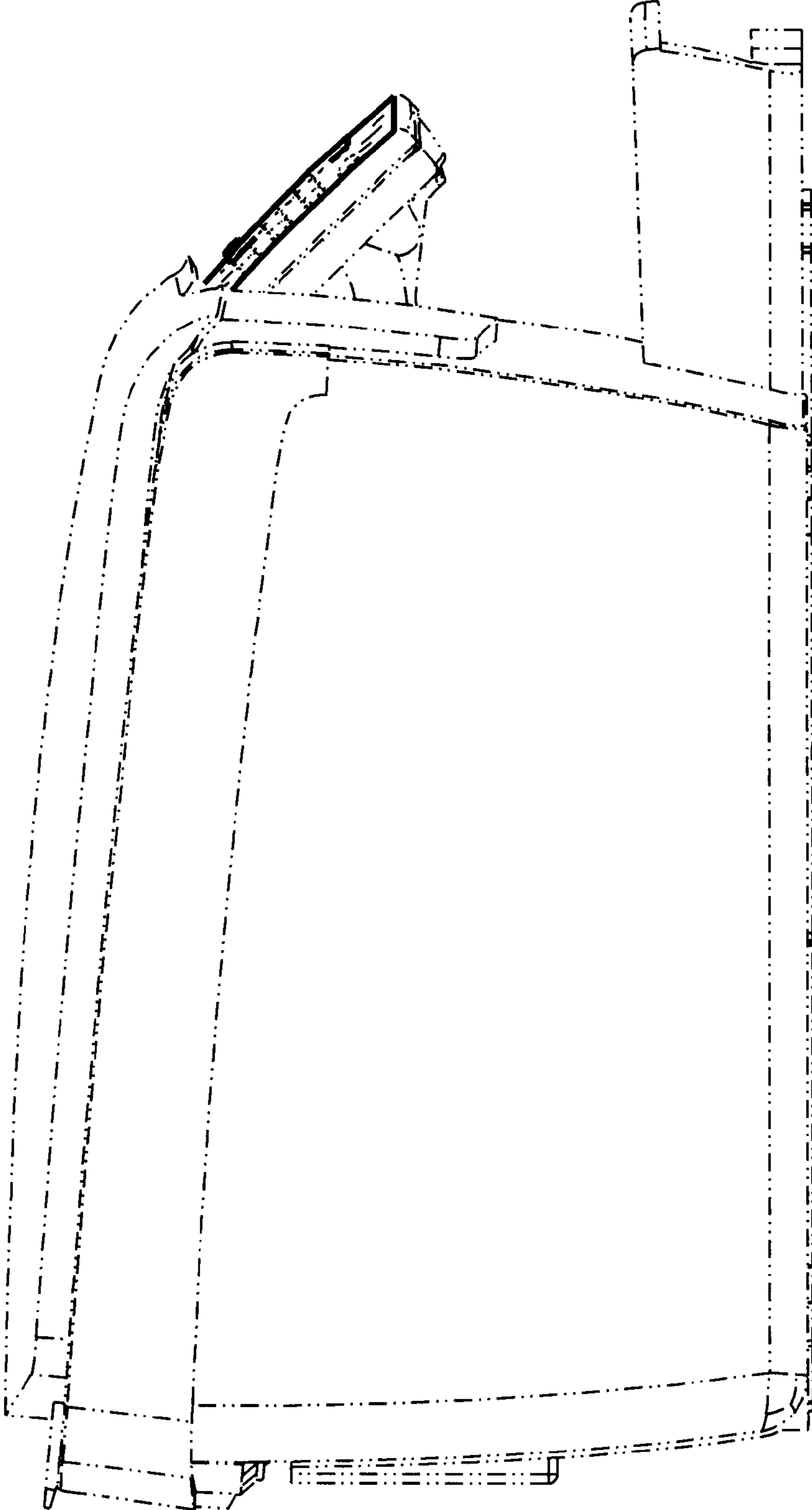


FIG. 4

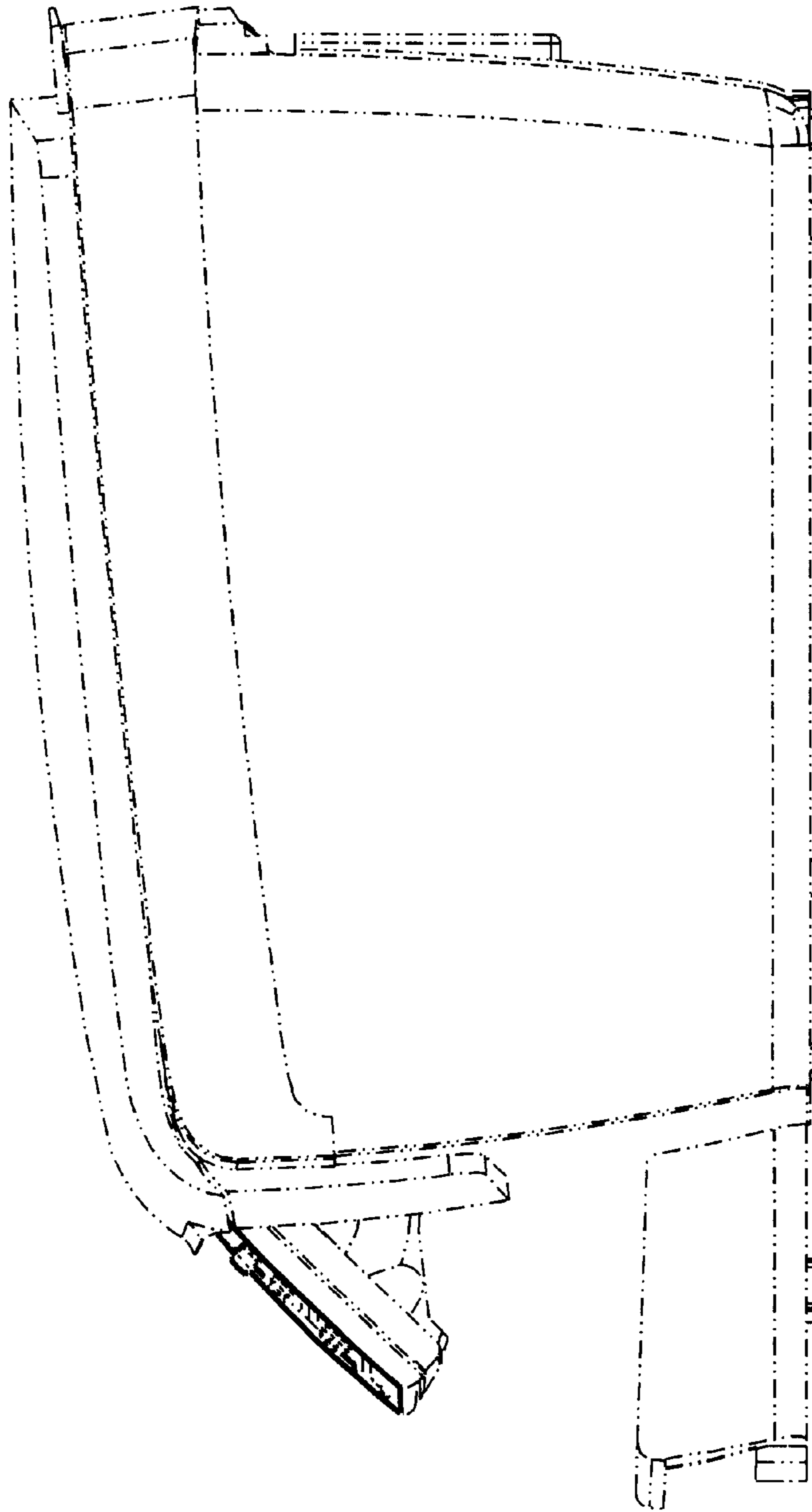


FIG. 5

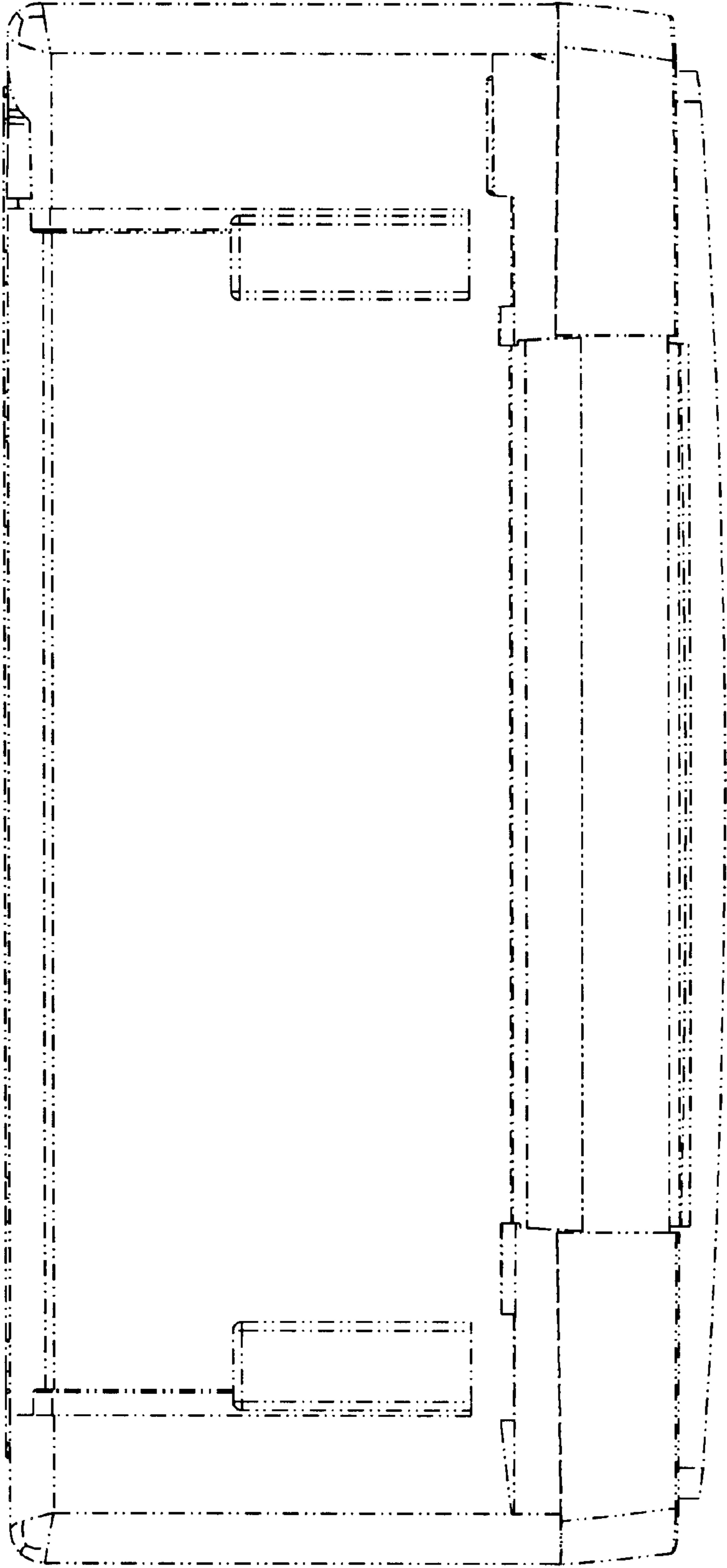


FIG. 6

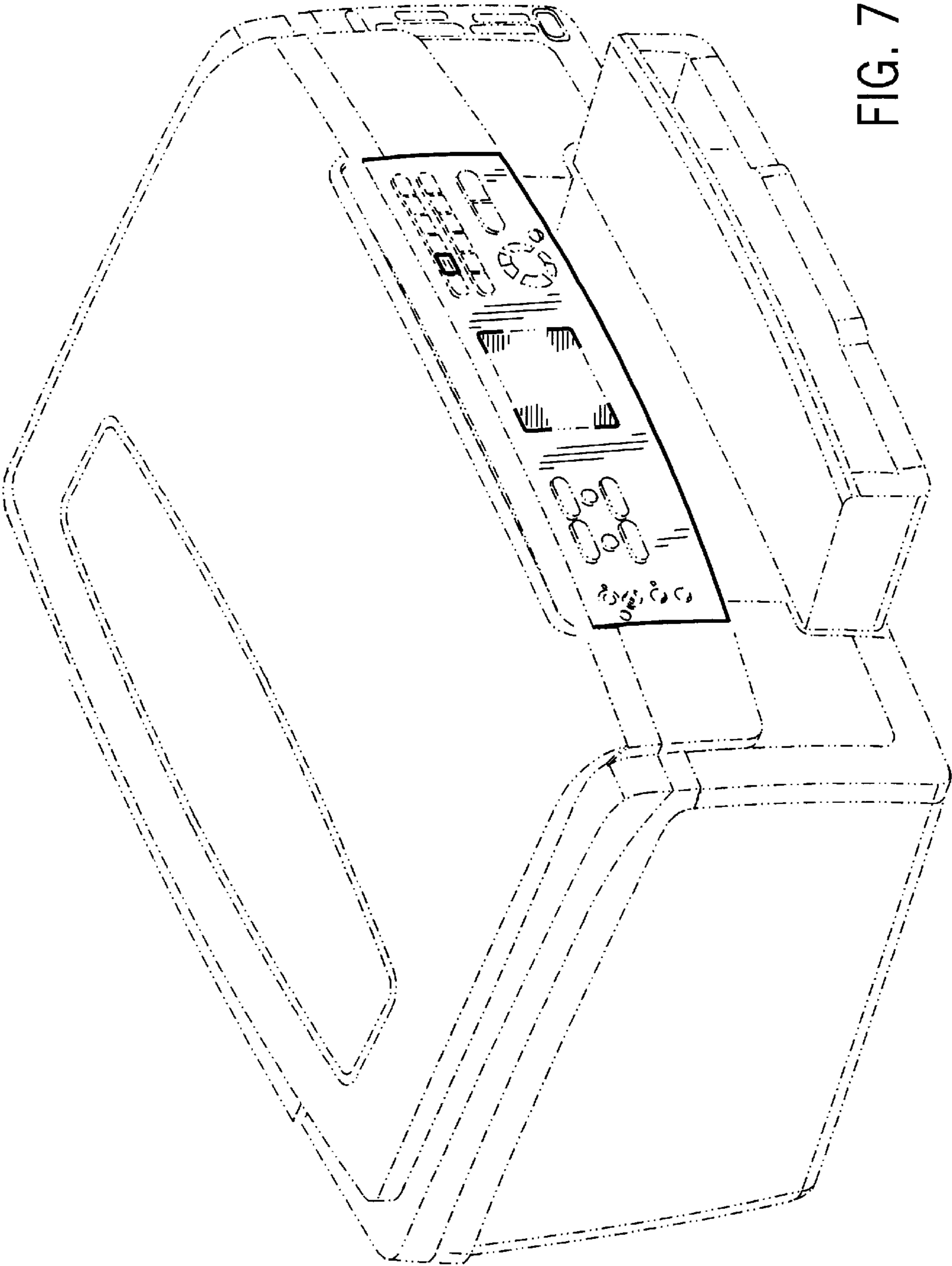


FIG. 7