

US00D532041S

(12) **United States Design Patent**
Ishigami et al.

(10) **Patent No.:** **US D532,041 S**

(45) **Date of Patent:** **** Nov. 14, 2006**

(54) **PRINTER**

(75) Inventors: **Michifumi Ishigami**, Nagoya (JP);
Sakiko Kobayashi, Nagoya (JP)

(73) Assignee: **Brother Industries, Ltd.**, Nagoya (JP)

(**) Term: **14 Years**

(21) Appl. No.: **29/225,749**

(22) Filed: **Mar. 21, 2005**

(30) **Foreign Application Priority Data**

Sep. 30, 2004 (JP) 2004-029817

(51) **LOC (8) Cl.** **14-02**

(52) **U.S. Cl.** **D18/50**

(58) **Field of Classification Search** D18/36-39,
D18/53-54, 54.1, 55; D14/420-425, 356-357,
D14/361-363, 432, 453; D16/246-248, 237;
399/107; 400/613, 613.1-613.4, 691-694;
D3/318; D99/28, 35, 41, 43; D20/1, 4-5,
D20/8

See application file for complete search history.

(56) **References Cited**

U.S. PATENT DOCUMENTS

2,912,066 A * 11/1959 Ellithorpe 186/37

D301,201 S * 5/1989 King D8/306
D354,076 S * 1/1995 Fukuda et al. D18/36
D368,255 S * 3/1996 Sasaki et al. D14/420
D423,181 S * 4/2000 Dallman D99/28
D426,835 S * 6/2000 Tanimura D14/432
D434,634 S * 12/2000 Korn et al. D8/317
D442,963 S * 5/2001 Salazar et al. D14/420
6,336,758 B1 * 1/2002 Ishida et al. 400/690

* cited by examiner

Primary Examiner—Cathy Anne MacCormac

(74) *Attorney, Agent, or Firm*—Oliff & Berridge, PLC

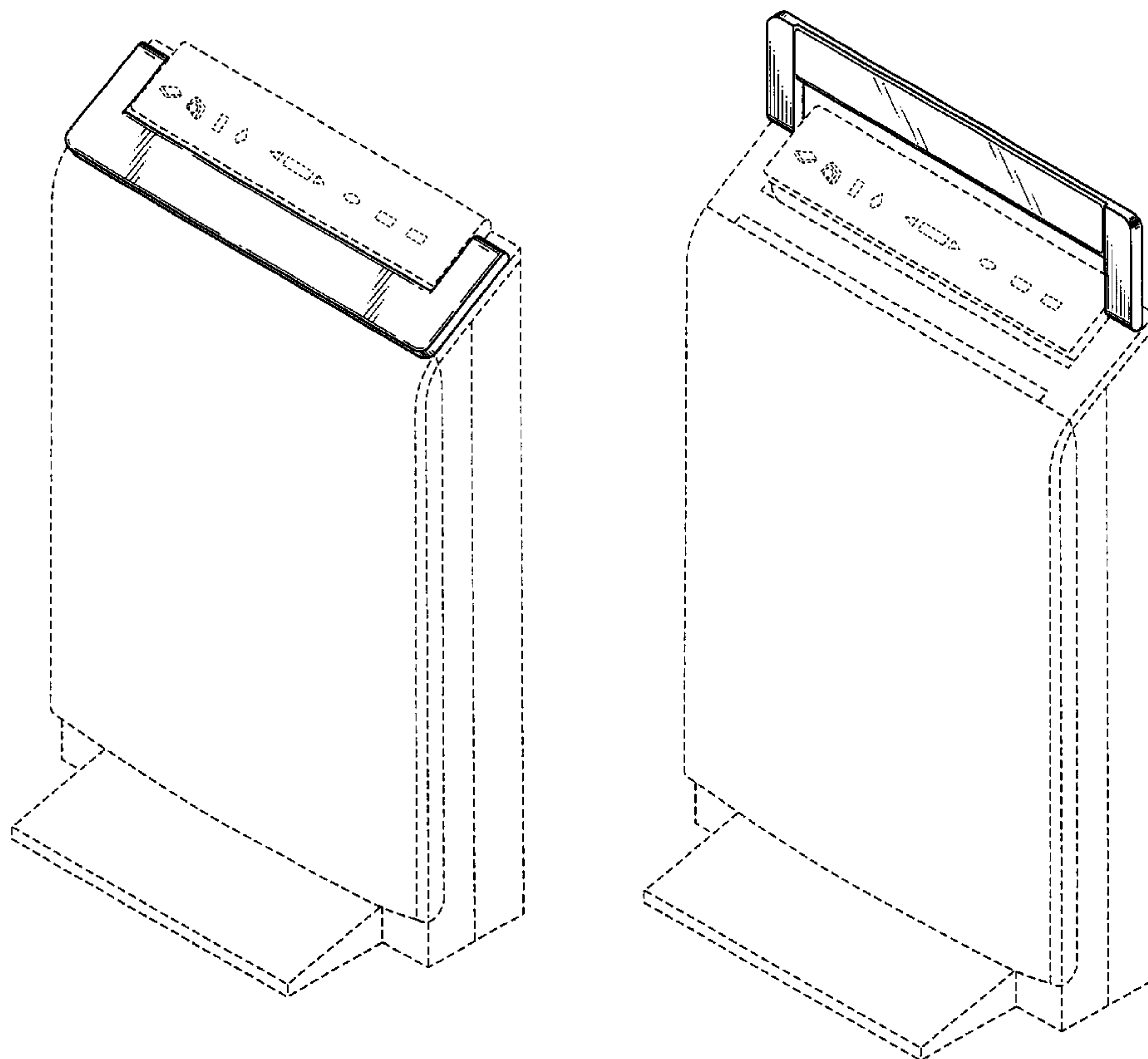
(57) **CLAIM**

The ornamental design for printer, as shown and described.

DESCRIPTION

FIG. 1 is a perspective view of a printer;
FIG. 2 is a front view thereof;
FIG. 3 is a top view thereof;
FIG. 4 is a right view thereof;
FIG. 5 is a left view thereof;
FIG. 6 is a rear view thereof; and,
FIG. 7 is a perspective view thereof similar to FIG. 1, with
a handle in an alternate position.
The broken lines are for illustrative purposes only and form
no part of the claimed design.

1 Claim, 5 Drawing Sheets



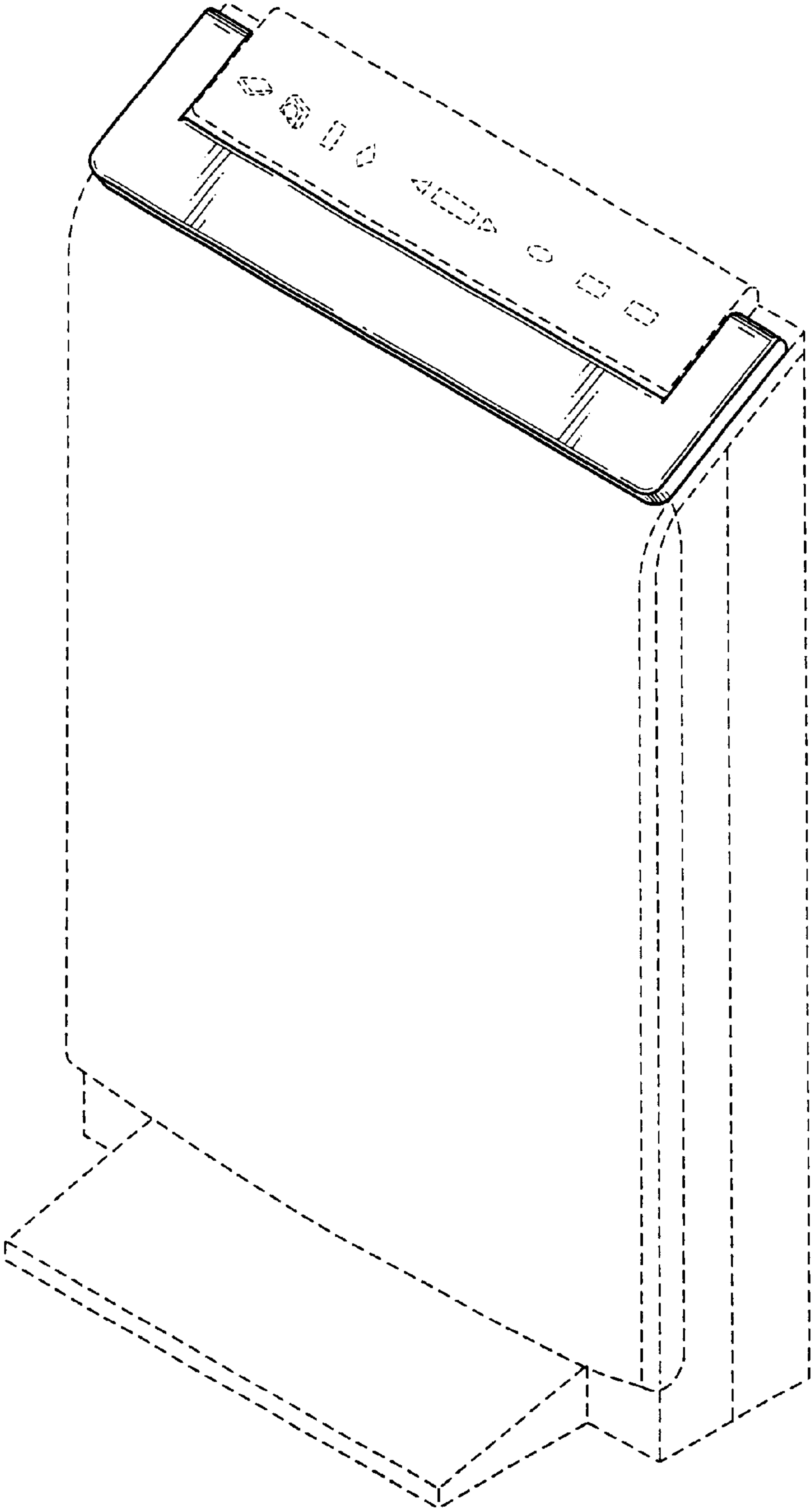


FIG. 1

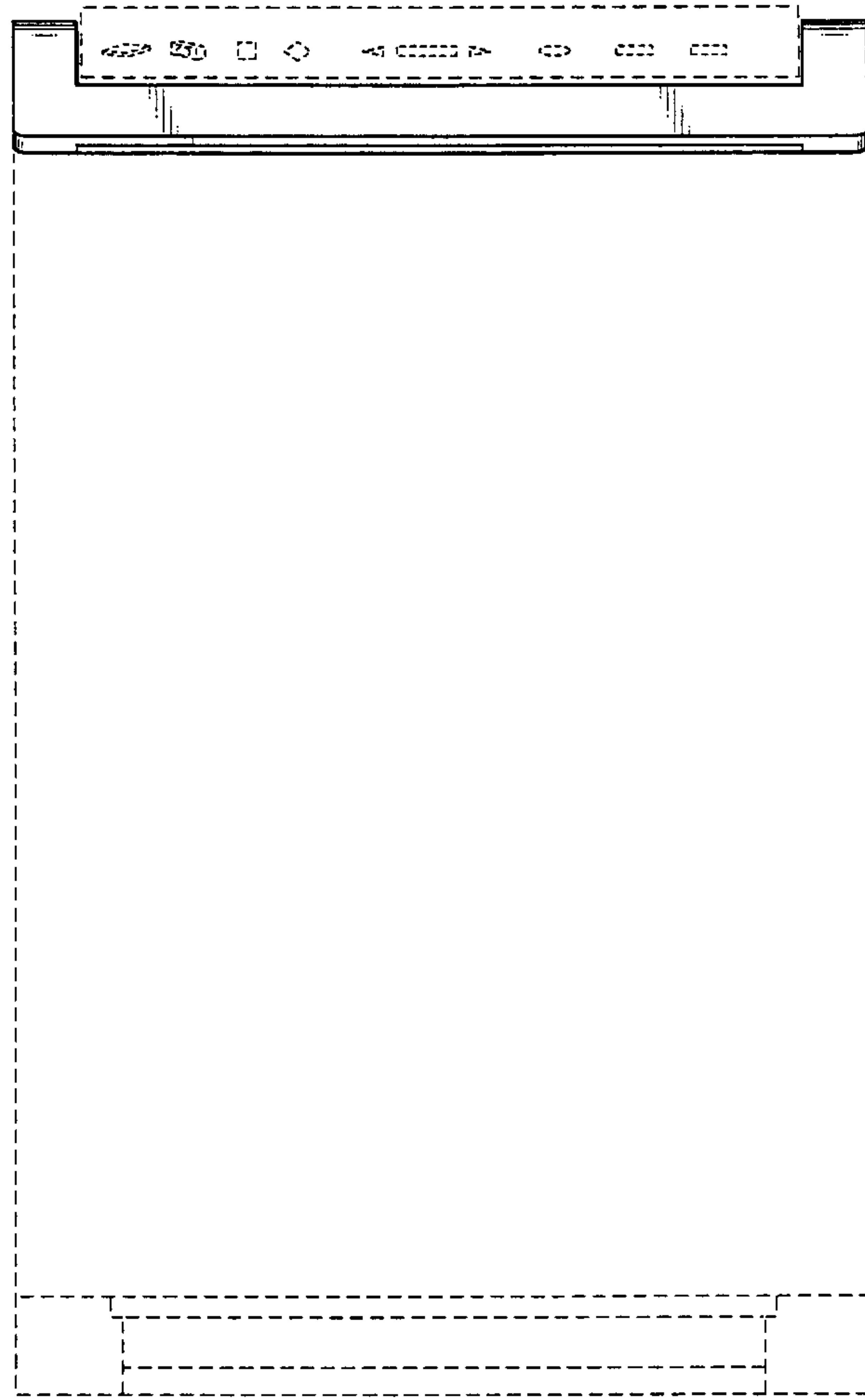


FIG. 2

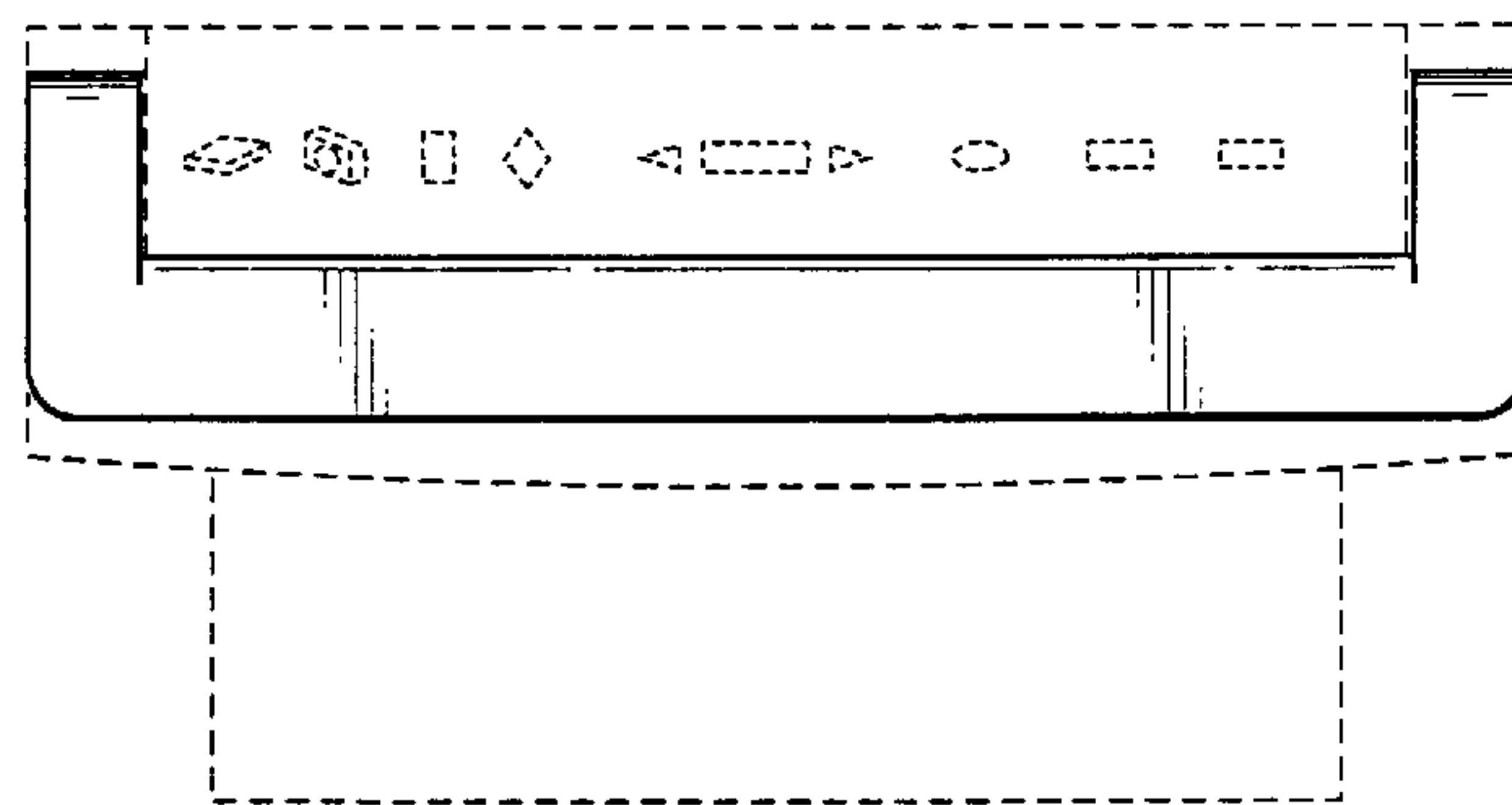


FIG. 3

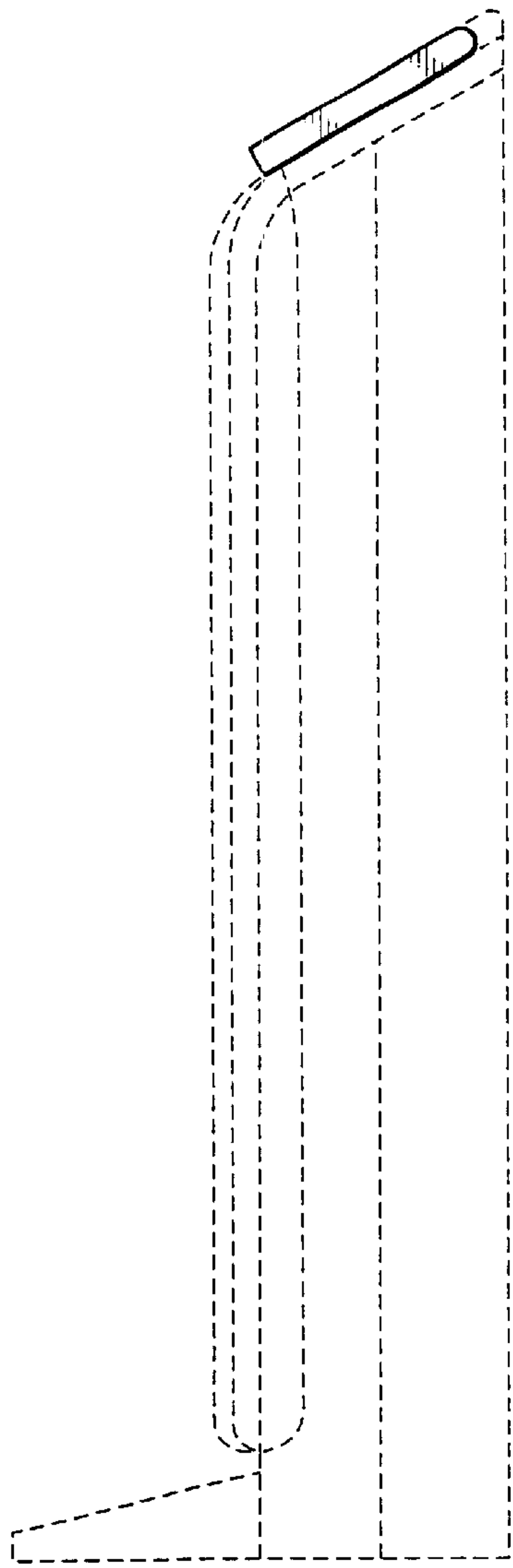


FIG. 4

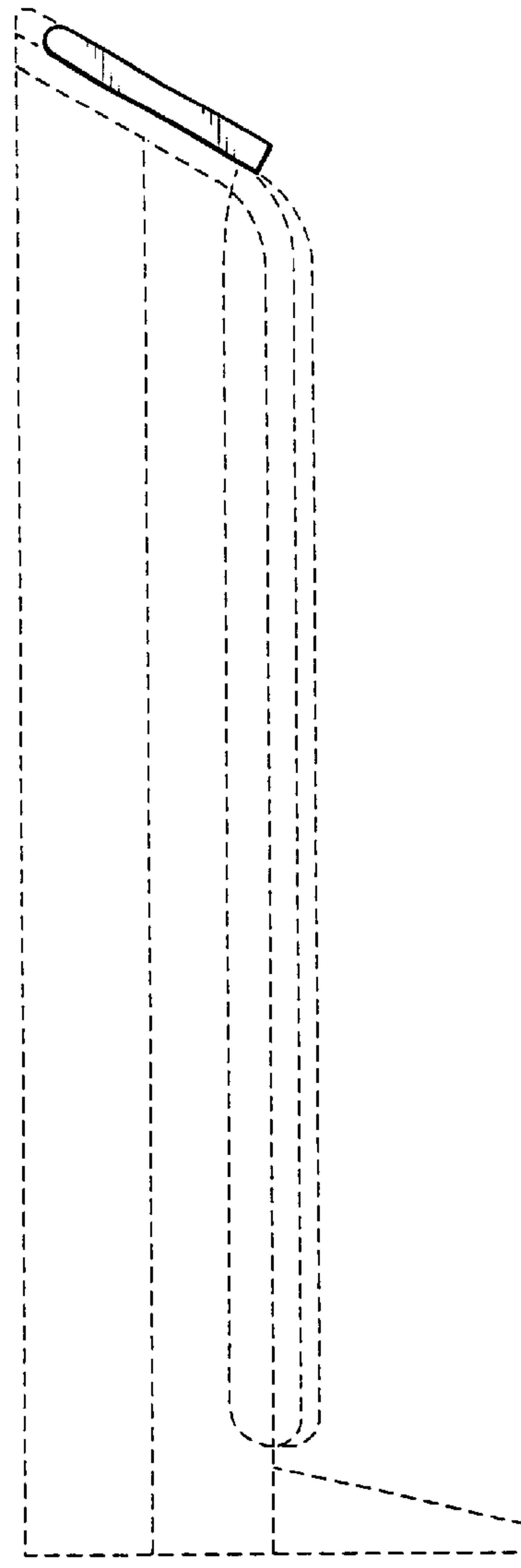


FIG. 5

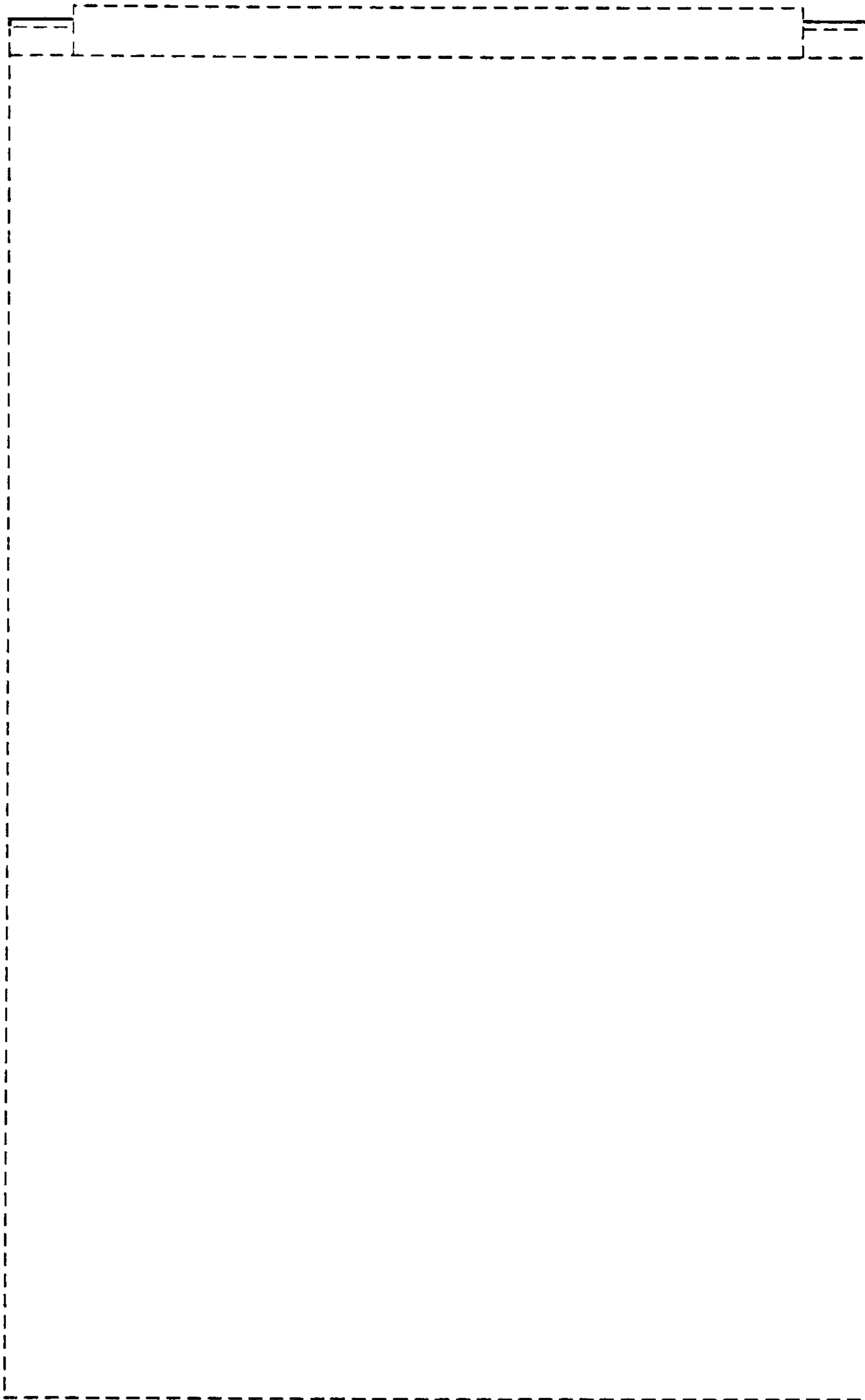


FIG. 6

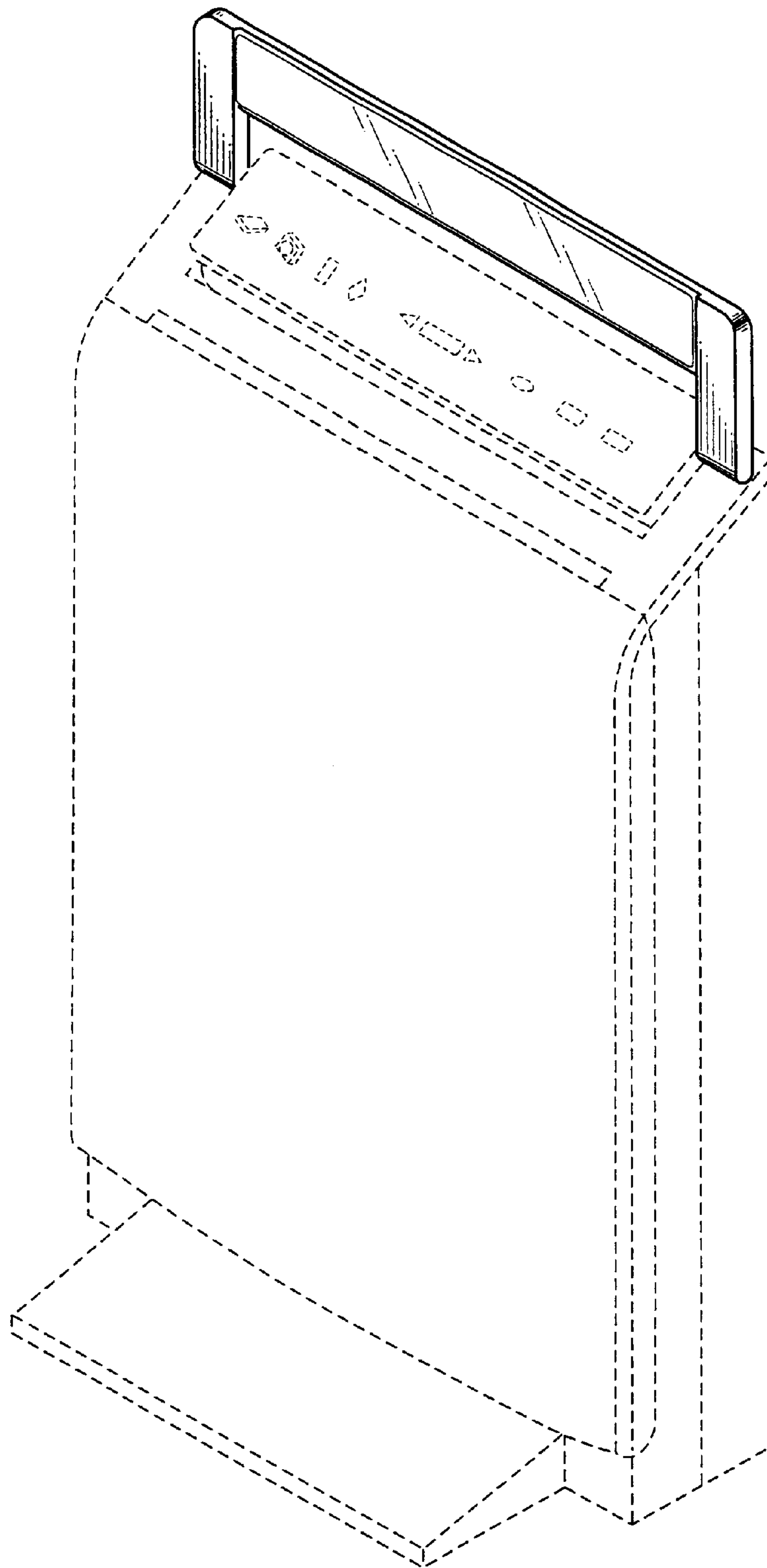


FIG. 7