



US00D532032S

(12) **United States Design Patent**  
**Horikiri**

(10) **Patent No.:** **US D532,032 S**

(45) **Date of Patent:** **\*\* Nov. 14, 2006**

(54) **DIGITAL CAMERA**

(75) Inventor: **Kazuhisa Horikiri**, Tokyo (JP)

(73) Assignee: **Fuji Photo Film Co., Ltd.**, Kanagawa (JP)

(\*\*) Term: **14 Years**

(21) Appl. No.: **29/230,319**

(22) Filed: **May 18, 2005**

(30) **Foreign Application Priority Data**

Nov. 19, 2004 (JP) ..... 2004-035464

(51) **LOC (8) Cl.** ..... **16-05**

(52) **U.S. Cl.** ..... **D16/219**

(58) **Field of Classification Search** ..... D16/200-204,  
D16/208, 212, 218, 219; 348/373-376; 358/909.1;  
396/535-541

See application file for complete search history.

(56) **References Cited**

**U.S. PATENT DOCUMENTS**

- D485,288 S \* 1/2004 Watarai ..... D16/212
- D496,060 S \* 9/2004 Nagayama ..... D16/202
- D496,380 S \* 9/2004 Isomoto ..... D16/202
- D507,586 S \* 7/2005 Nakamura ..... D16/218

- D522,555 S \* 6/2006 Choi ..... D16/202
- D522,556 S \* 6/2006 Yoshida ..... D16/202
- 2002/0146250 A1 \* 10/2002 Stockton et al. .... 396/429

\* cited by examiner

*Primary Examiner*—Adir Aronovich

(74) *Attorney, Agent, or Firm*—Koda & Androlia

(57) **CLAIM**

The ornamental design for a digital camera, as shown and described.

**DESCRIPTION**

FIG. 1 is a front elevational view of the digital camera showing my new design;

FIG. 2 is a rear elevational view thereof;

FIG. 3 is a left side elevational view thereof;

FIG. 4 is a right side elevational view thereof;

FIG. 5 is a top plan view thereof;

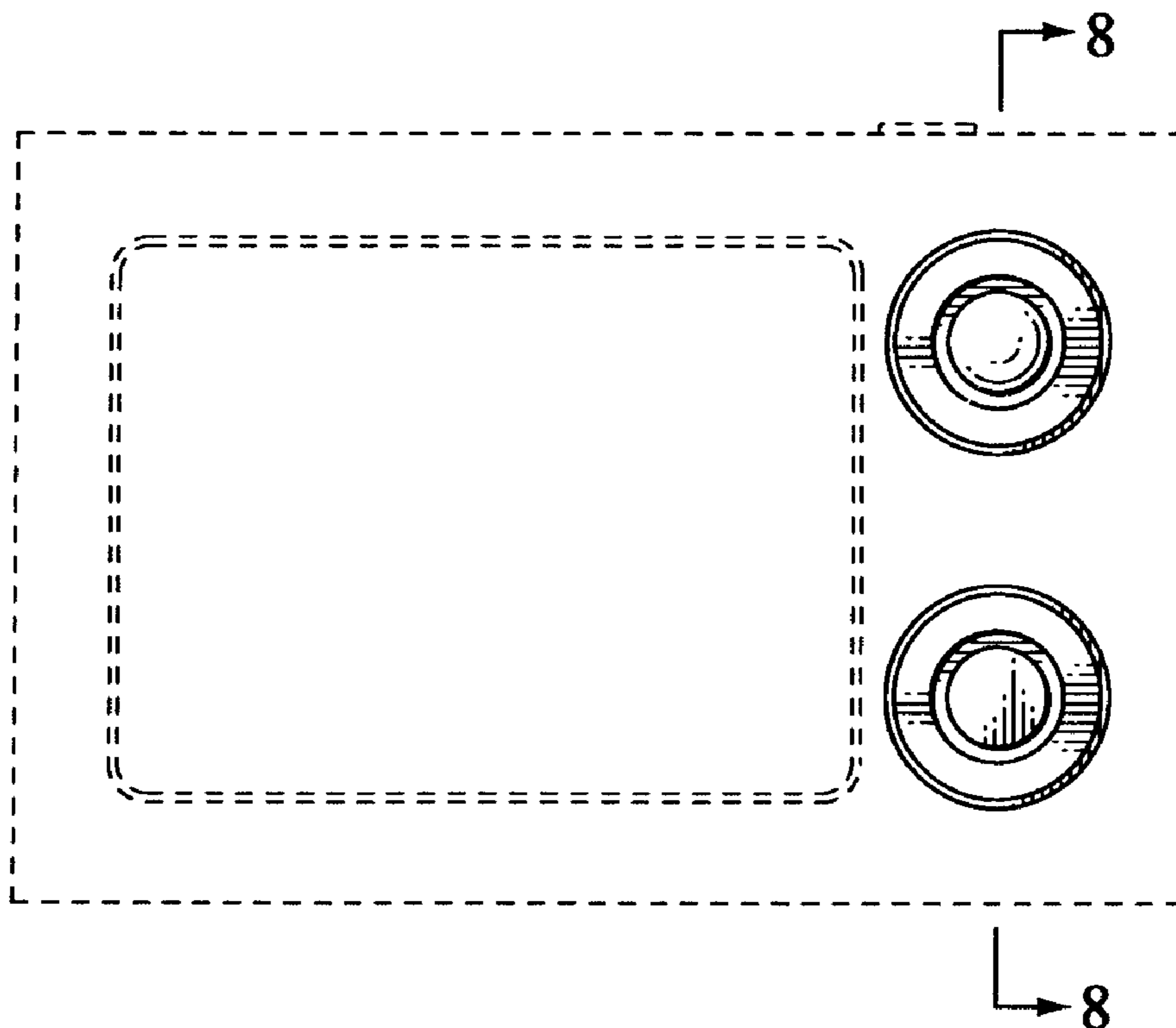
FIG. 6 is a bottom plan view thereof;

FIG. 7 is a perspective view of the digital camera taken from the front, right side and top thereof; and,

FIG. 8 is a cross-sectional view of the digital camera taken along the lines 8—8 in FIG. 2.

The portion of the article depicted in broken lines is for illustrative purposes only and forms no part of the claimed design.

**1 Claim, 4 Drawing Sheets**



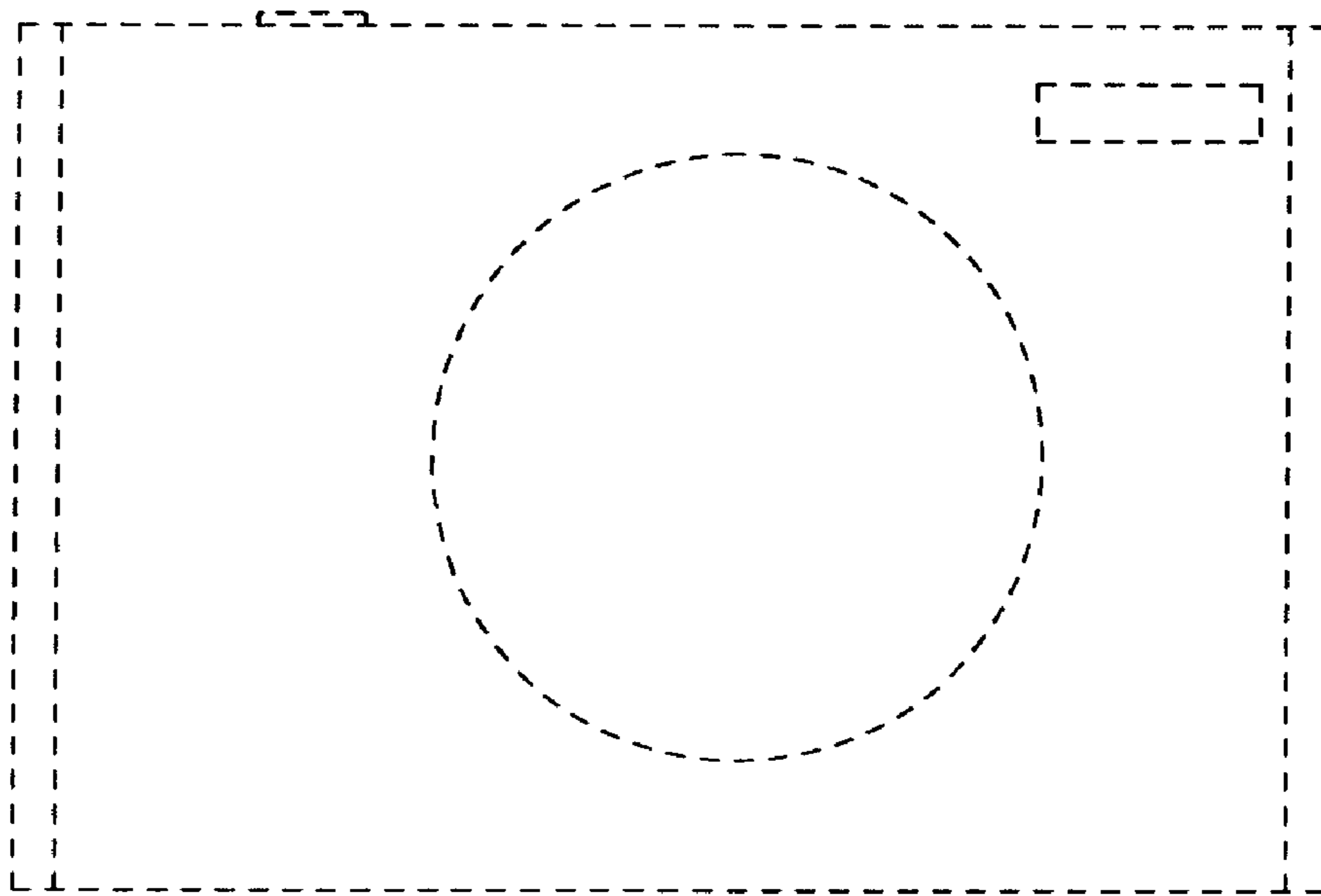


FIG. 1

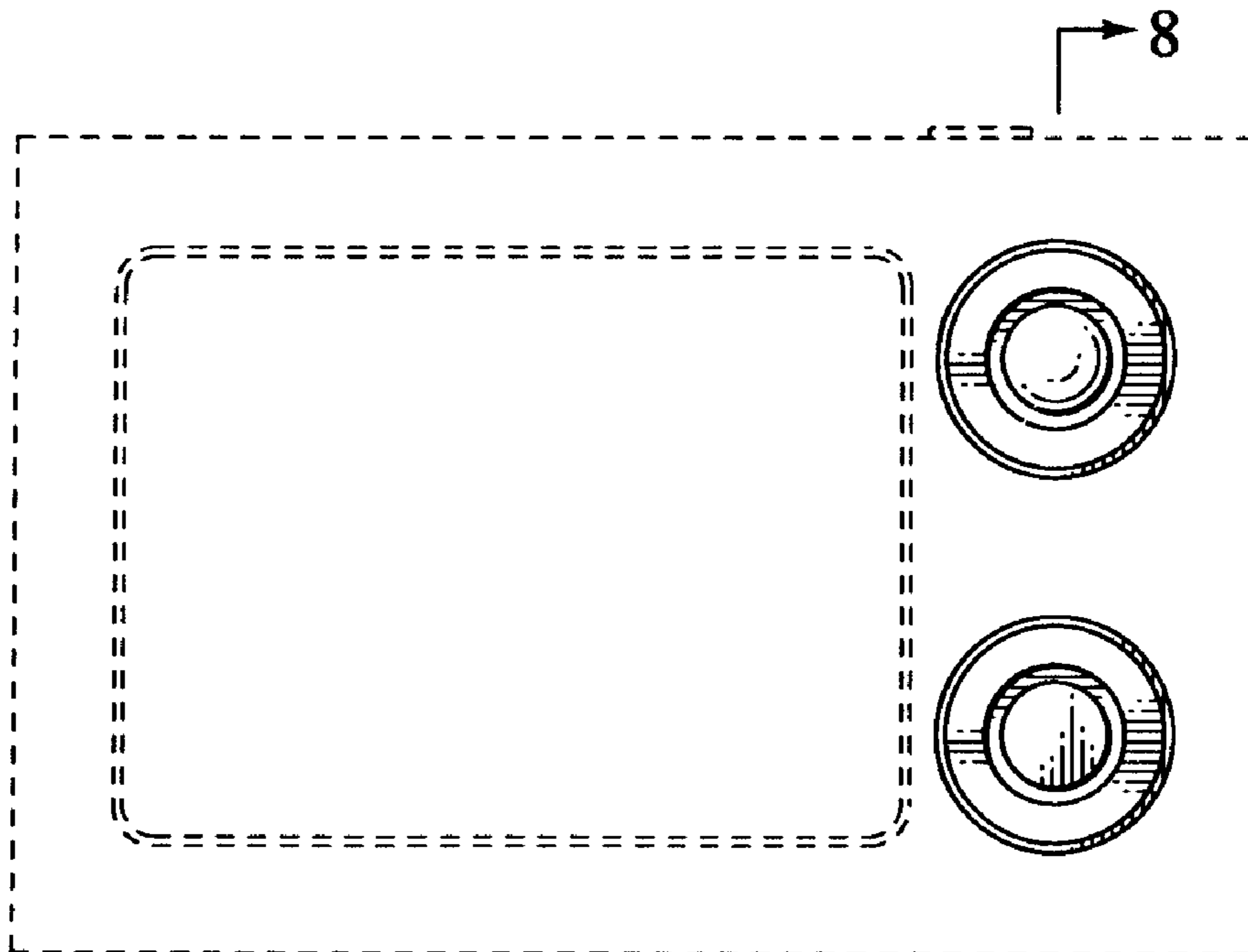
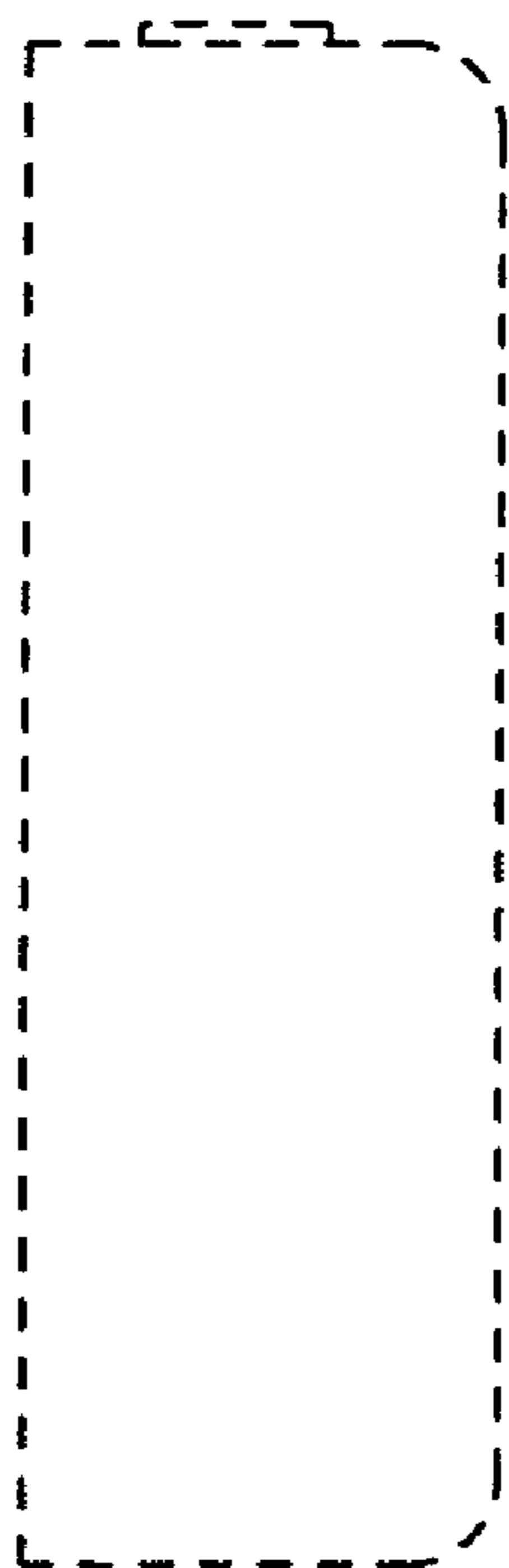
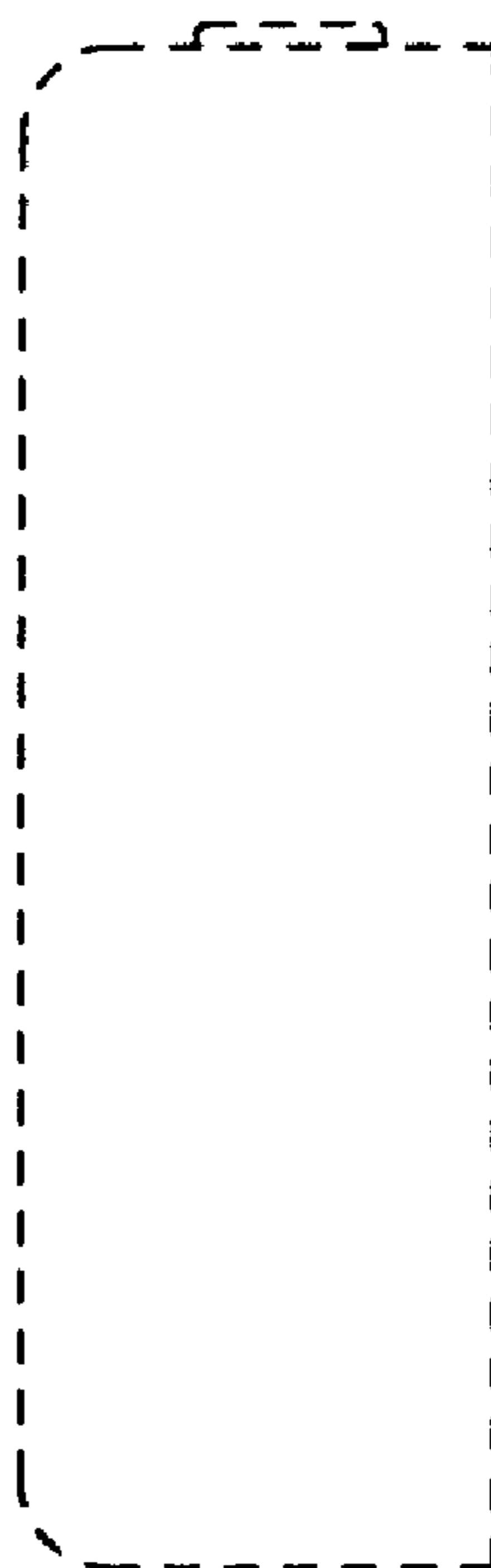


FIG. 2



**FIG. 3**



**FIG. 4**



FIG. 5



FIG. 6

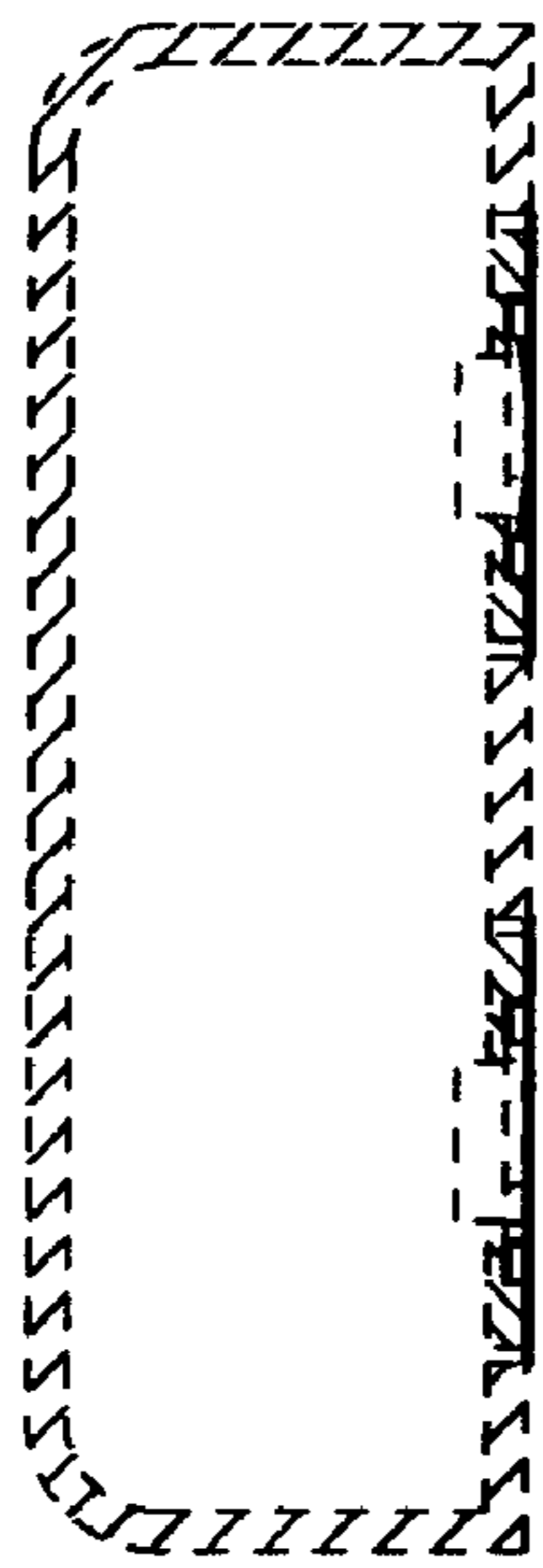
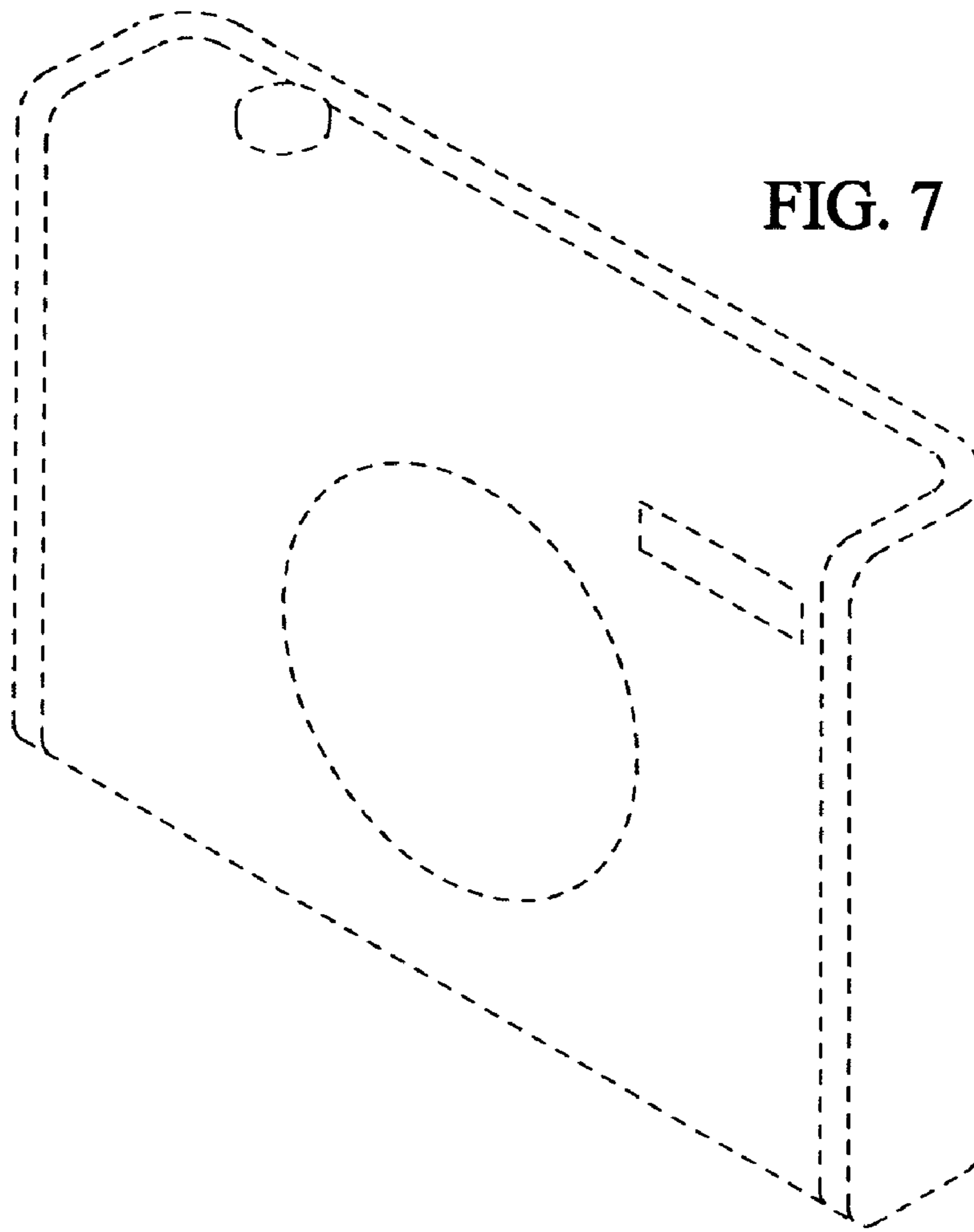


FIG. 8