



US00D532031S

(12) **United States Design Patent**
Hayashi

(10) **Patent No.:** **US D532,031 S**

(45) **Date of Patent:** **** Nov. 14, 2006**

(54) **CAMERA**

(75) Inventor: **Haruo Hayashi**, Tokyo (JP)

(73) Assignee: **Sony Corporation**, Tokyo (JP)

(**) Term: **14 Years**

(21) Appl. No.: **29/215,740**

(22) Filed: **Oct. 25, 2004**

(51) **LOC (8) Cl.** **16-01**

(52) **U.S. Cl.** **D16/218; D16/202**

(58) **Field of Classification Search** D16/200-206,
D16/208, 218; 348/373-376; 358/906, 909.1;
396/535-541

See application file for complete search history.

(56) **References Cited**

U.S. PATENT DOCUMENTS

5,875,034 A	*	2/1999	Shintani et al.	358/906
D441,001 S	*	4/2001	Naito	D16/202
D450,074 S		11/2001	Miyashita	D16/219
D451,115 S		11/2001	Sumita	D16/202

D456,431 S * 4/2002 Kim D16/202

D457,903 S * 5/2002 Nasu D16/218

D464,980 S * 10/2002 Inaba D16/202

D488,498 S 4/2004 Miyashita D16/202

D494,202 S * 8/2004 Nakamura D16/206

* cited by examiner

Primary Examiner—Adir Aronovich

(74) *Attorney, Agent, or Firm*—Rader, Fishman and Grauer

(57) **CLAIM**

The ornamental design for a camera, as shown.

DESCRIPTION

FIG. 1 is a perspective view of a camera showing my new design;

FIG. 2 is a front elevational view thereof;

FIG. 3 is a rear elevational view thereof;

FIG. 4 is a left side elevational view thereof;

FIG. 5 is a right side elevational view thereof;

FIG. 6 is a top plan view thereof; and,

FIG. 7 is a bottom plan view thereof.

1 Claim, 4 Drawing Sheets

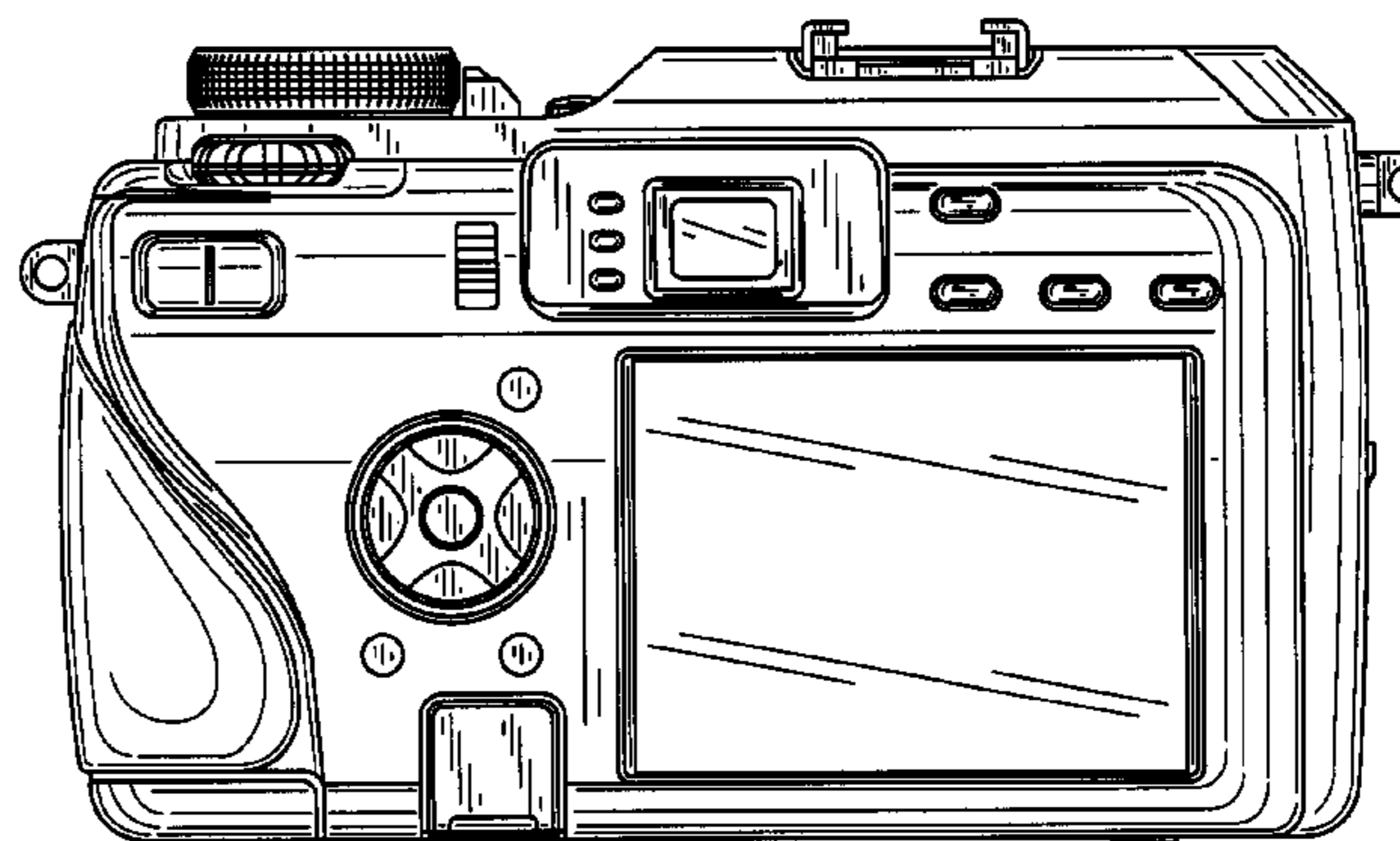
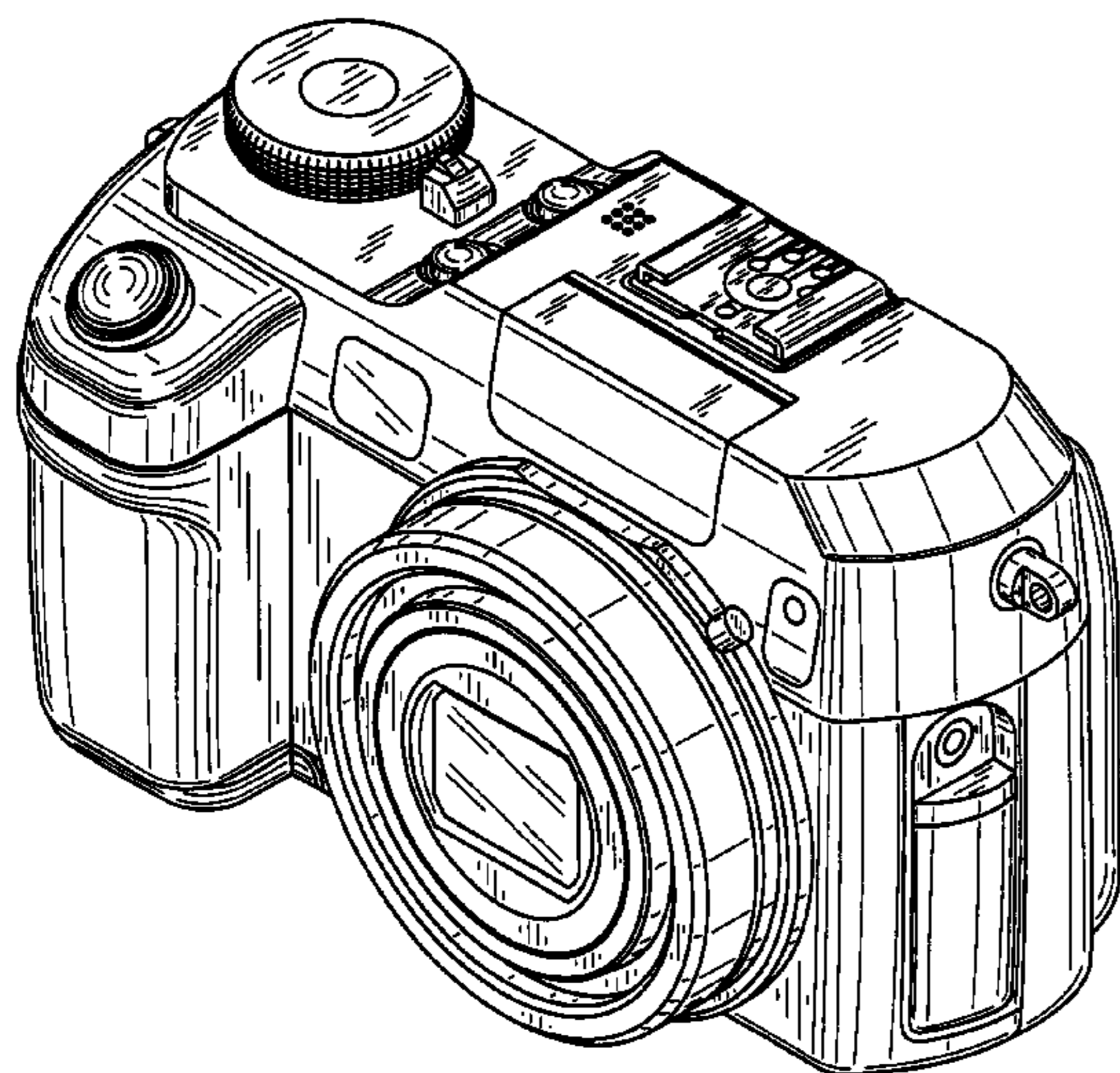


Fig.1

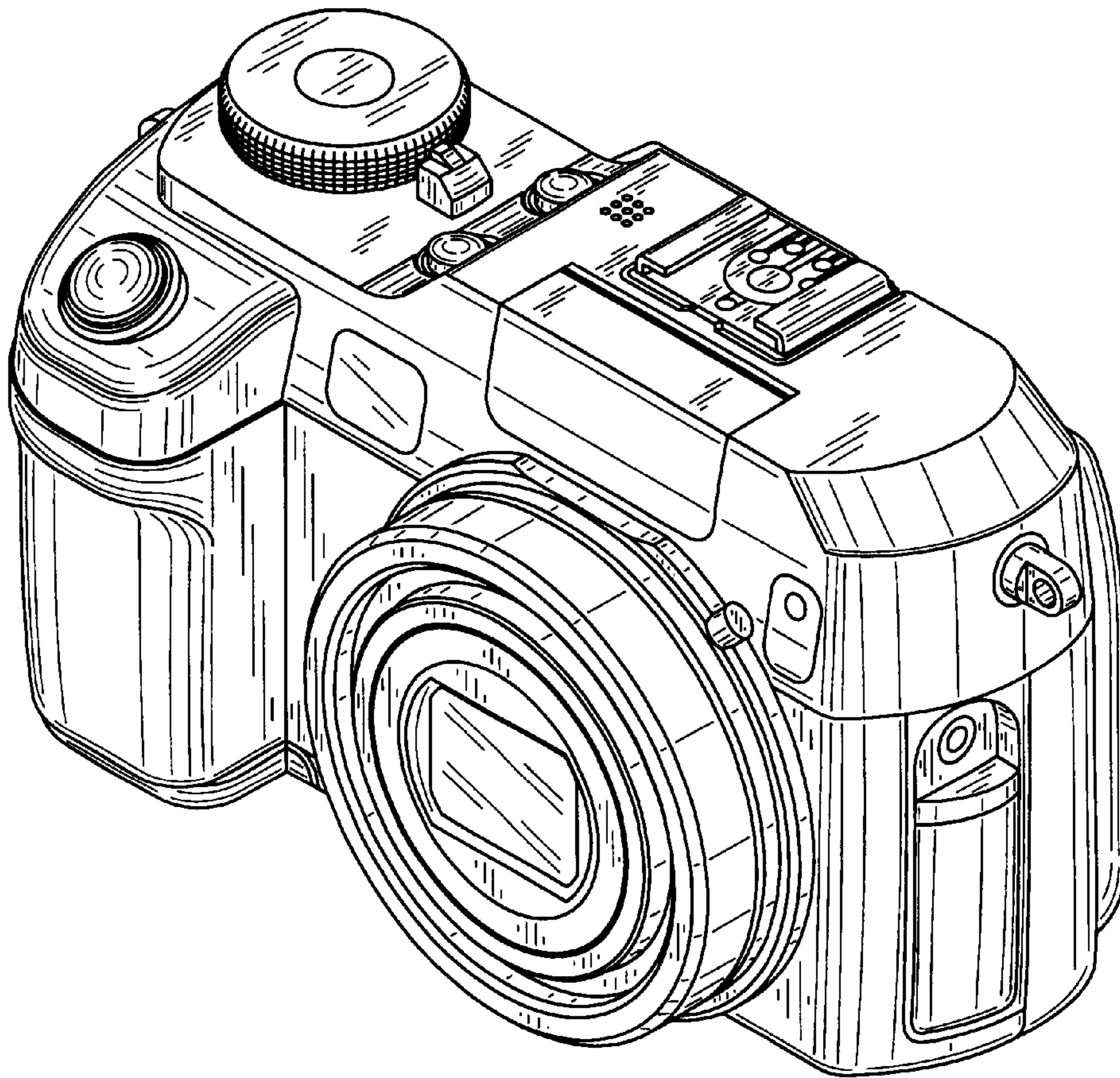


Fig.2

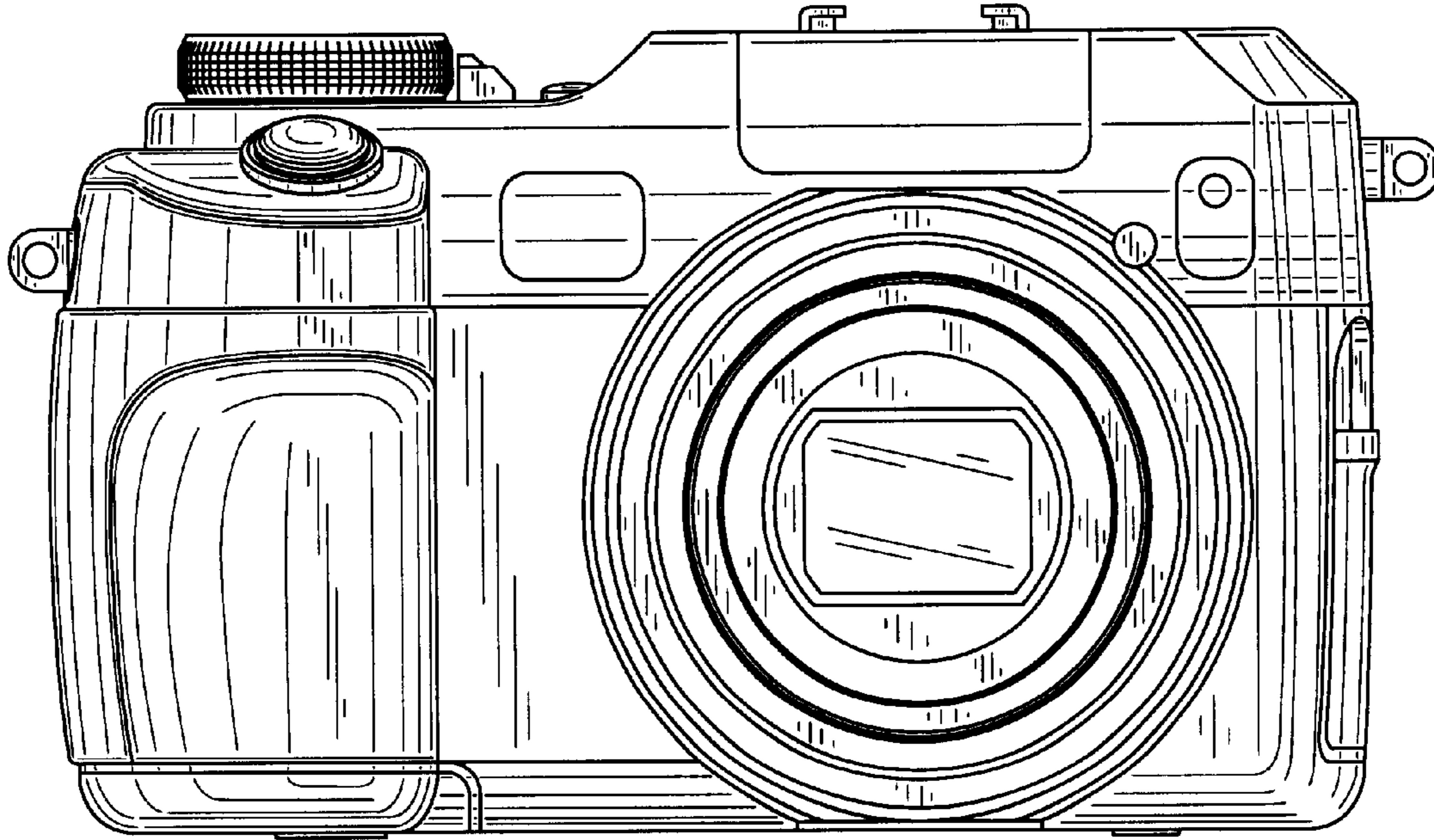


Fig.3

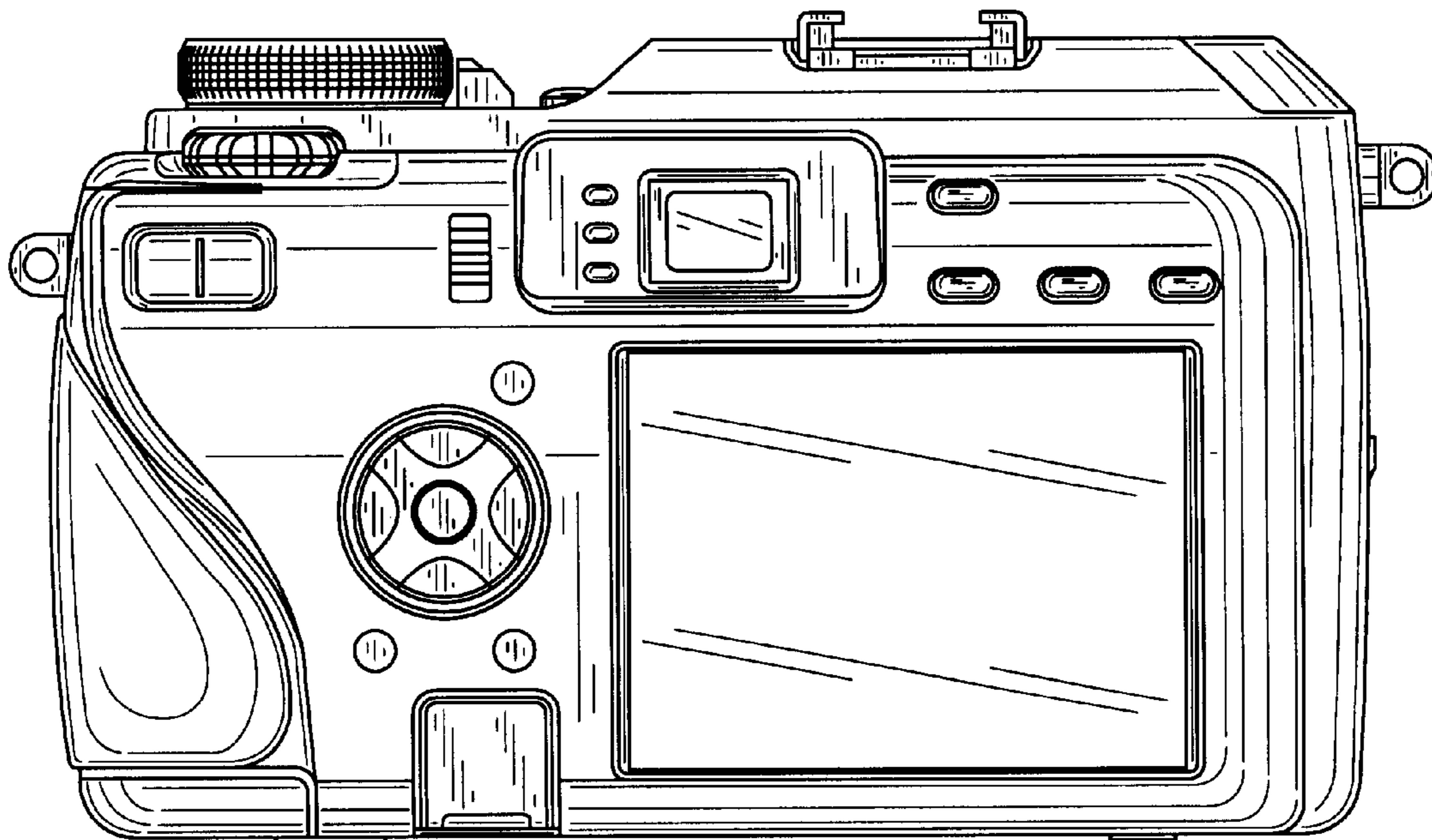


Fig.4

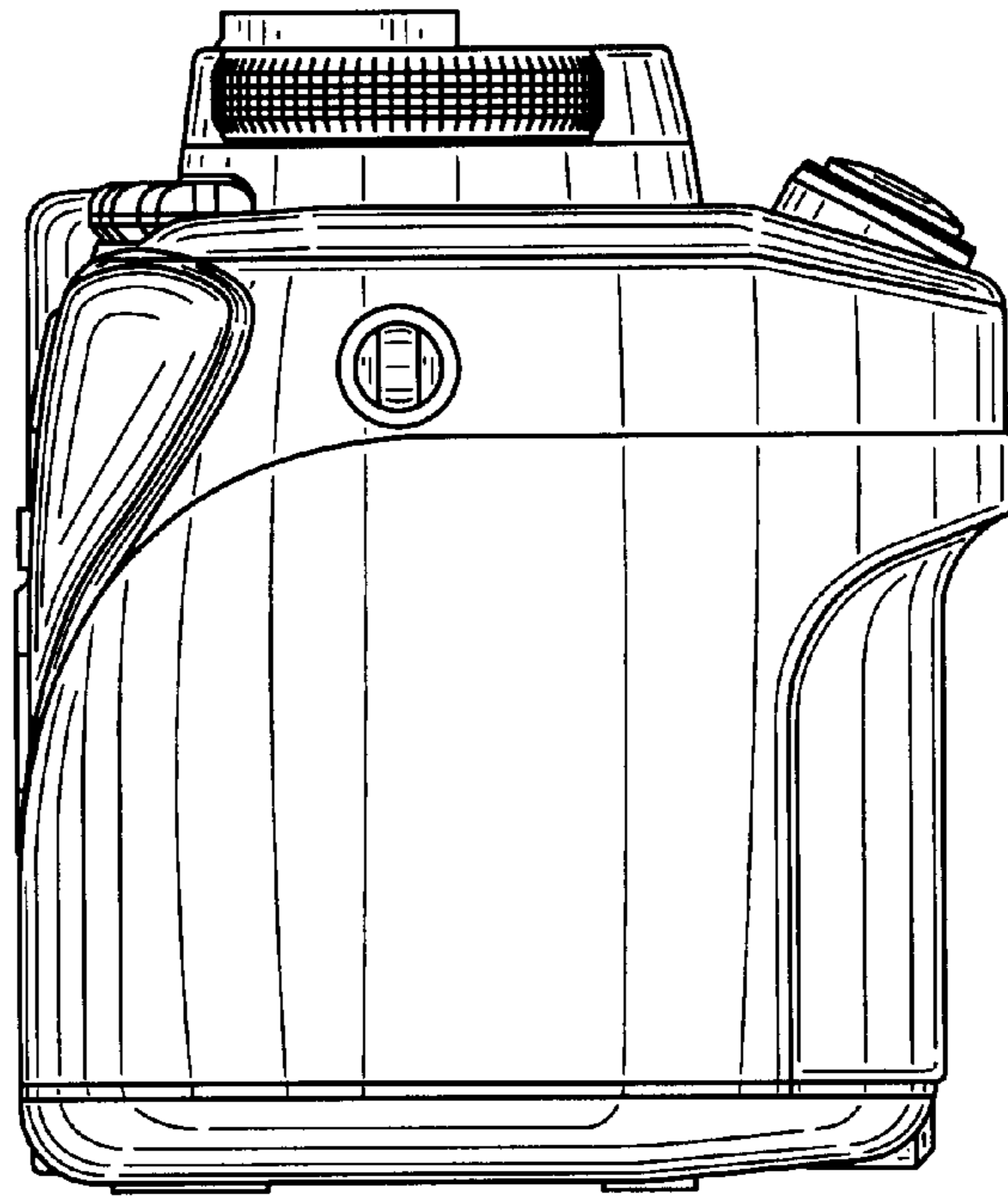


Fig.5

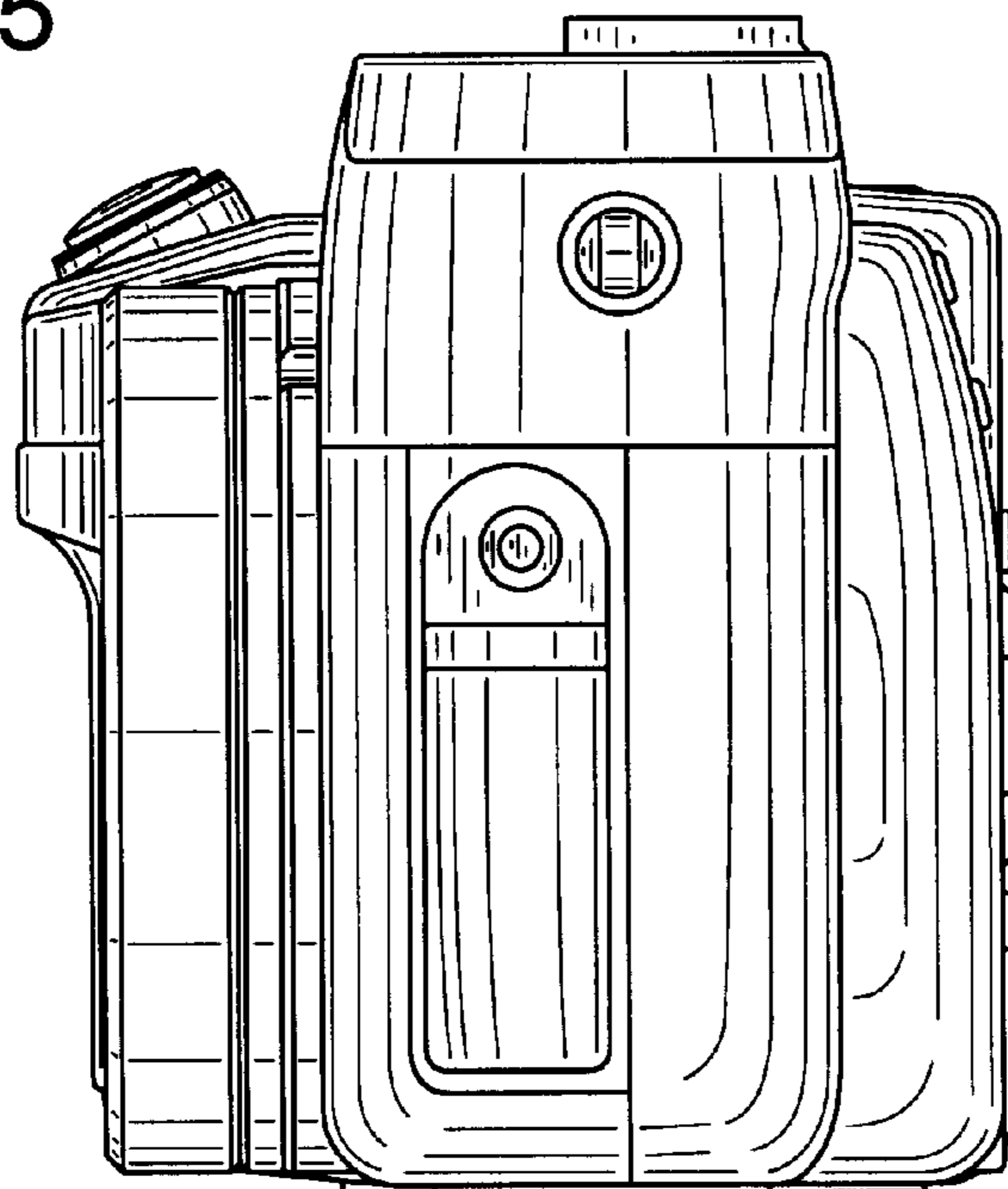


Fig.6

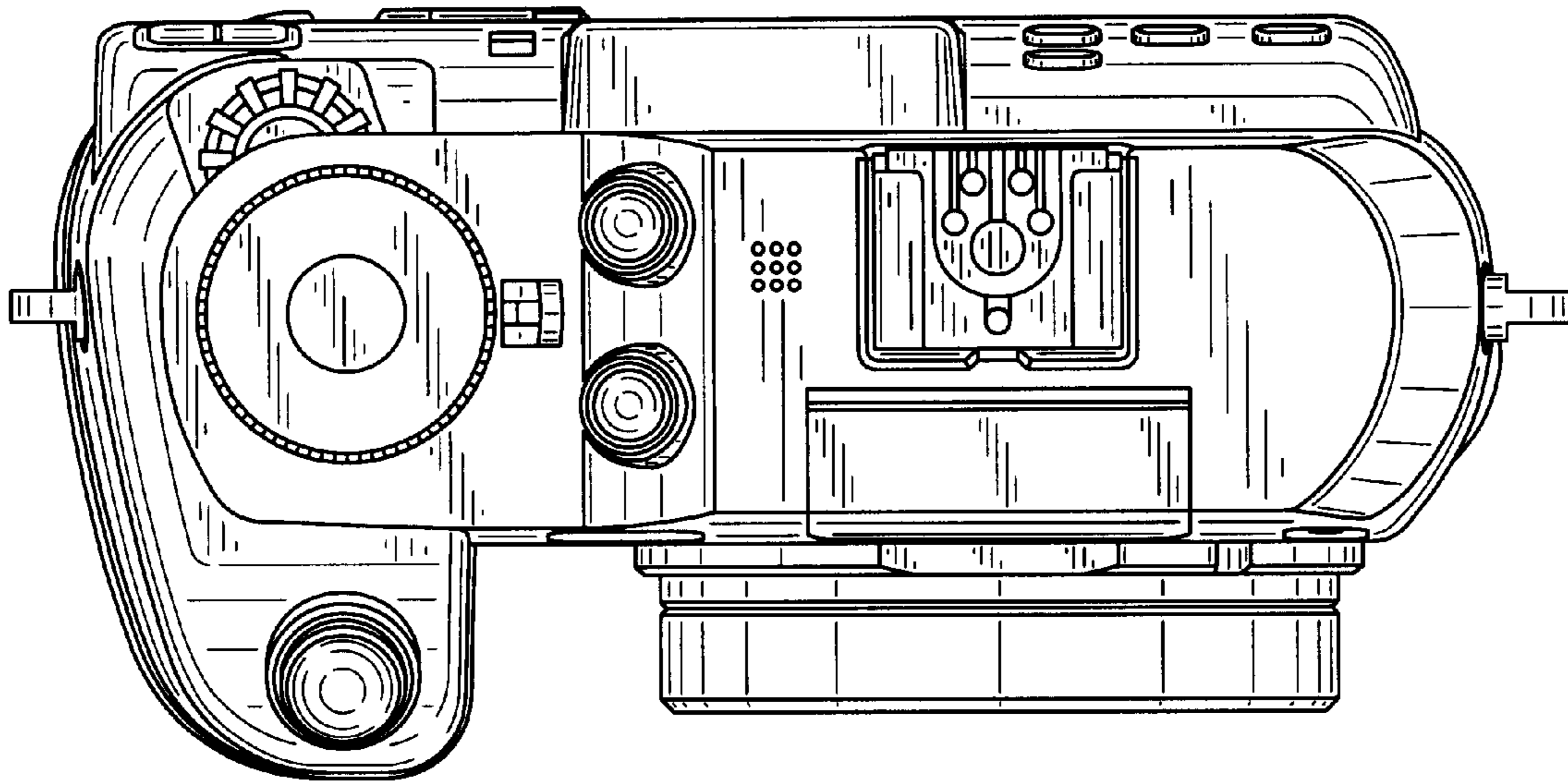


Fig.7

