



US00D532030S

(12) **United States Design Patent**  
**Yoshida**

(10) **Patent No.:** **US D532,030 S**

(45) **Date of Patent:** **\*\* Nov. 14, 2006**

(54) **ELECTRONIC CAMERA**

(75) Inventor: **Koji Yoshida**, Minato-Ku (JP)

(73) Assignee: **Fuji Photo Film Co., Ltd.**, Kanagawa (JP)

(\*\*) Term: **14 Years**

(21) Appl. No.: **29/229,849**

(22) Filed: **May 13, 2005**

(30) **Foreign Application Priority Data**

Dec. 16, 2004 (JP) ..... 2004-038576

(51) **LOC (8) Cl.** ..... **16-01**

(52) **U.S. Cl.** ..... **D16/202**

(58) **Field of Classification Search** ..... D16/200–204,  
D16/208, 209, 218; 348/373–376; 358/909.1;  
396/6, 535, 536–541

See application file for complete search history.

(56) **References Cited**

**U.S. PATENT DOCUMENTS**

D471,220 S \* 3/2003 Hamamura ..... D16/202  
D494,612 S \* 8/2004 Yang et al. .... D16/202

D503,417 S \* 3/2005 Kawase ..... D16/202  
D505,967 S \* 6/2005 Ko et al. .... D16/202  
D520,547 S \* 5/2006 Yanagisawa et al. .... D16/202

\* cited by examiner

*Primary Examiner*—Adir Aronovich

(74) *Attorney, Agent, or Firm*—Young & Thompson

(57) **CLAIM**

The ornamental design for an electronic camera, as shown and described.

**DESCRIPTION**

FIG. 1 is a top, front and side perspective view of an electronic camera showing my new design; FIG. 2 is a front elevational view thereof; FIG. 3 is a rear elevational view thereof; FIG. 4 is a top plan view thereof; FIG. 5 is a bottom plan view thereof; FIG. 6 is a side elevational view thereof from the left of FIG. 2; FIG. 7 is a side elevational view thereof from the right of FIG. 2; and, FIG. 8 is a view similar to FIG. 1, but showing the parts in a different position.

**1 Claim, 4 Drawing Sheets**

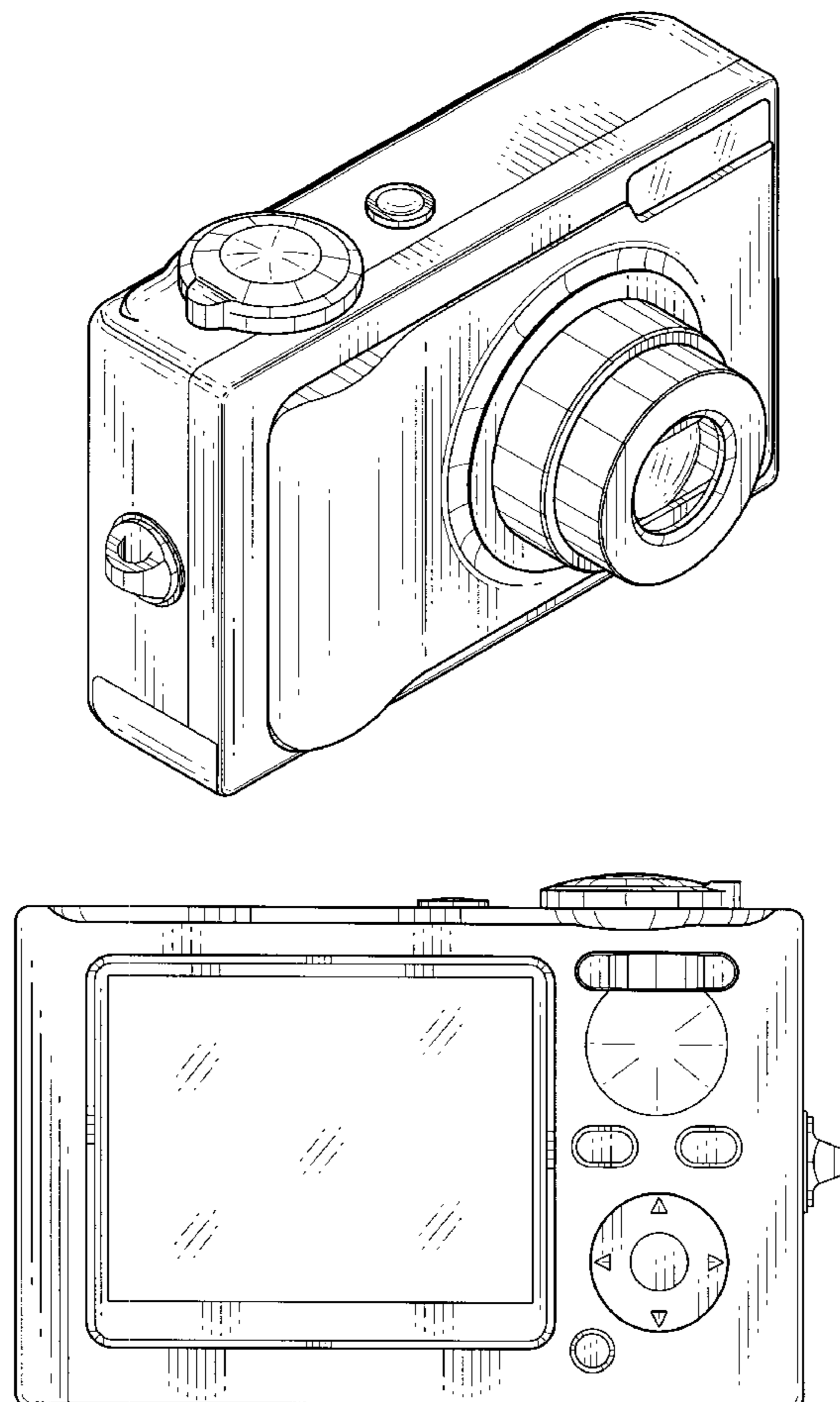


FIG. 1

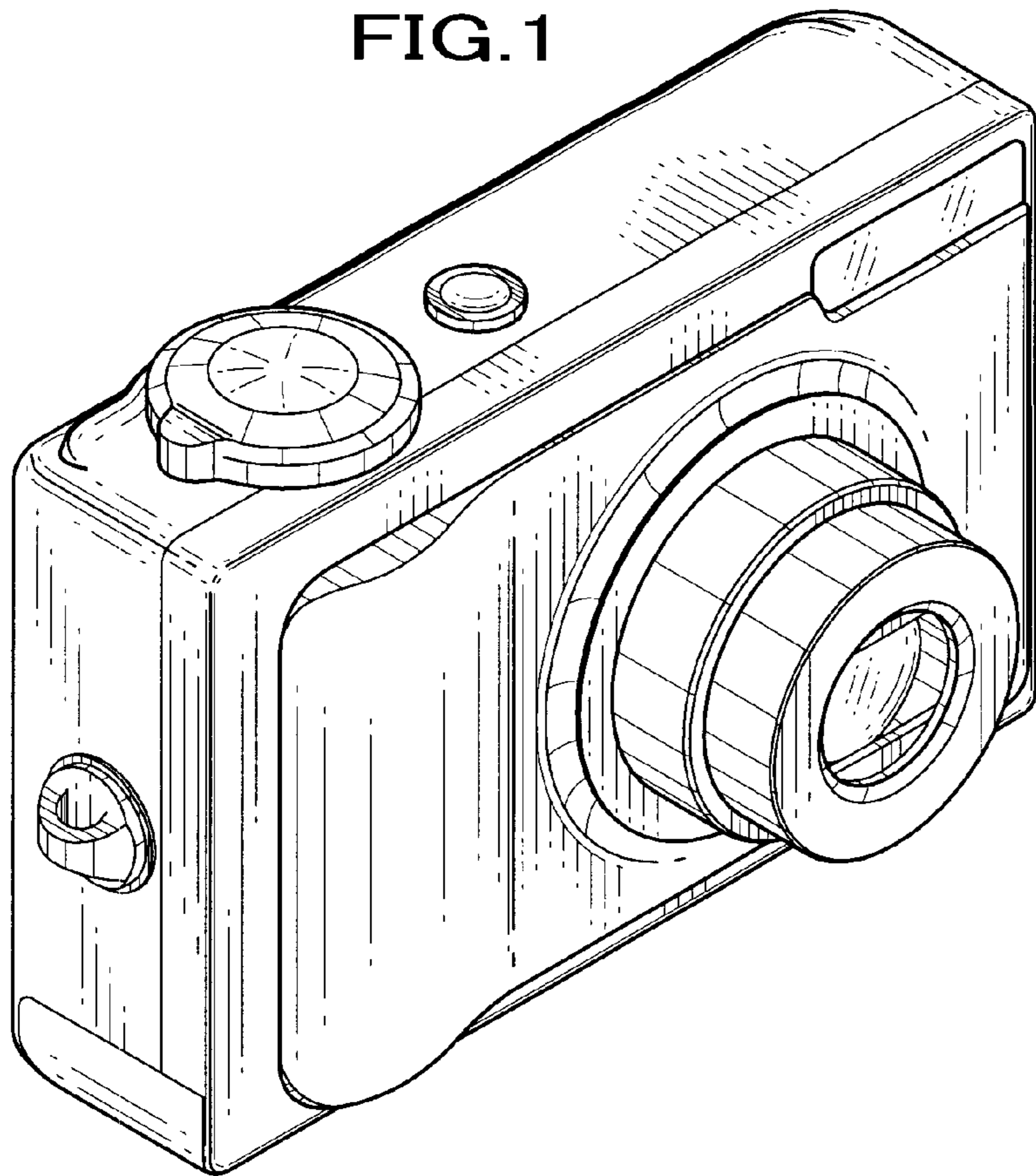


FIG. 2

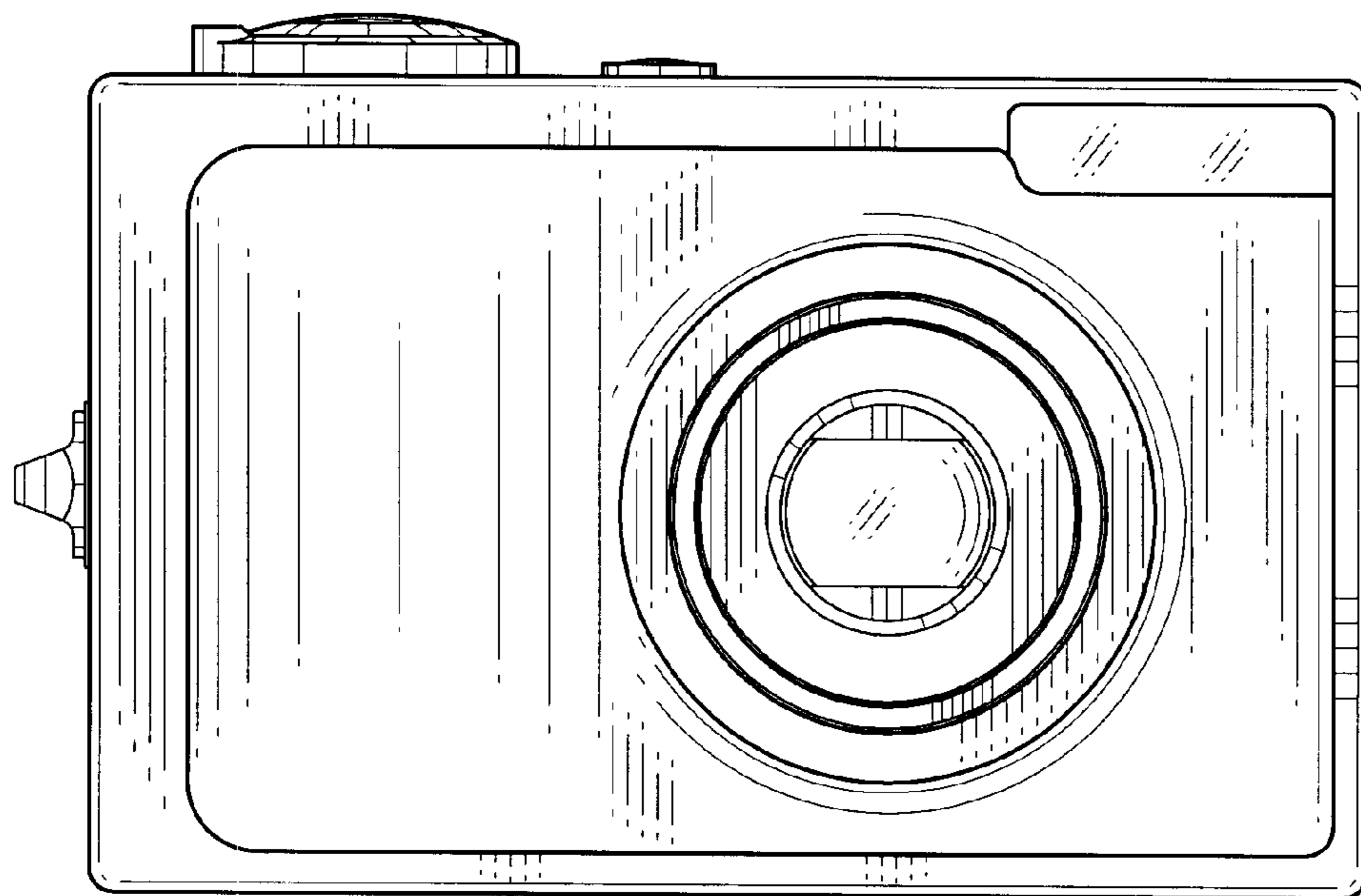


FIG.3

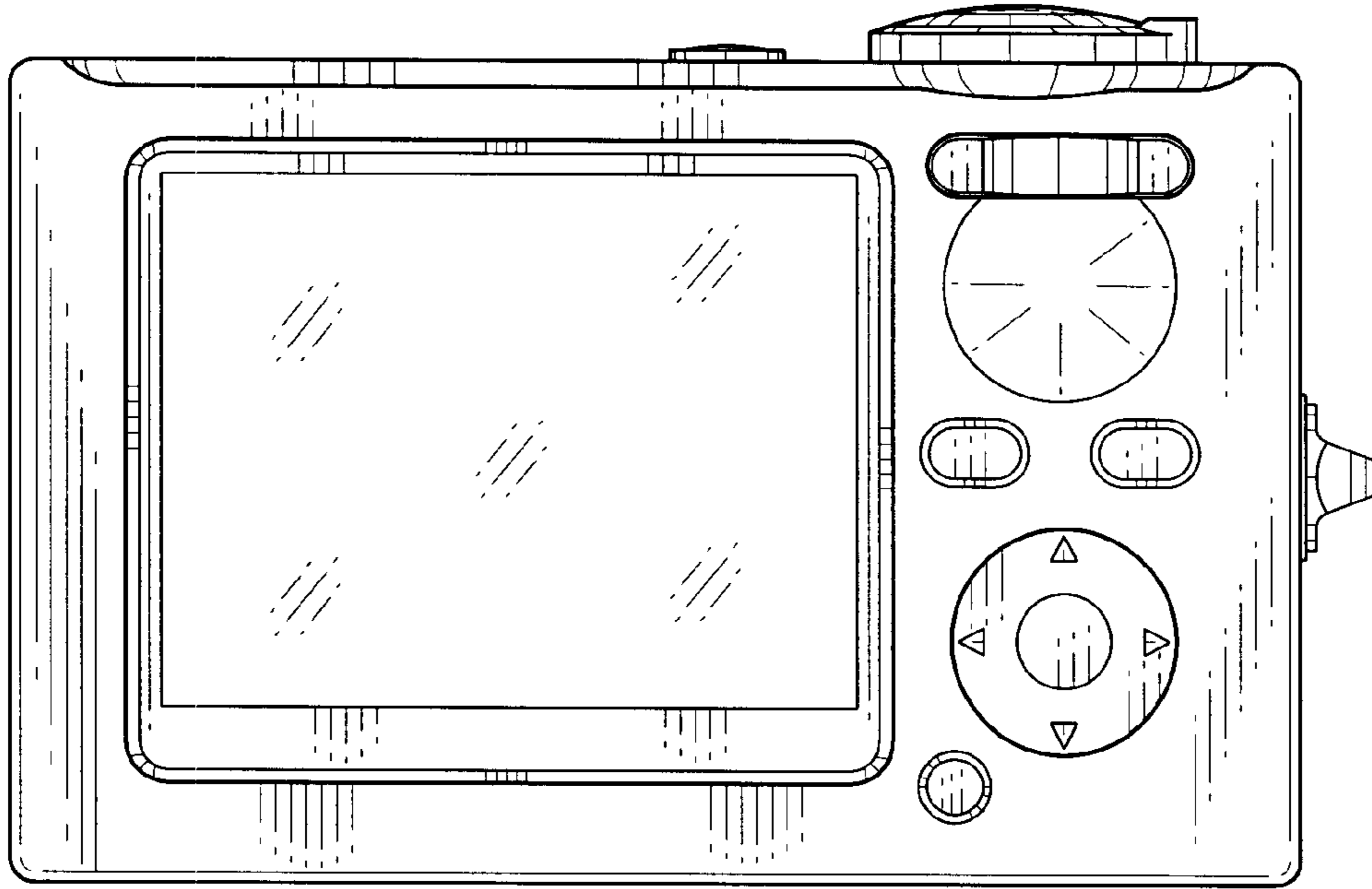


FIG.4

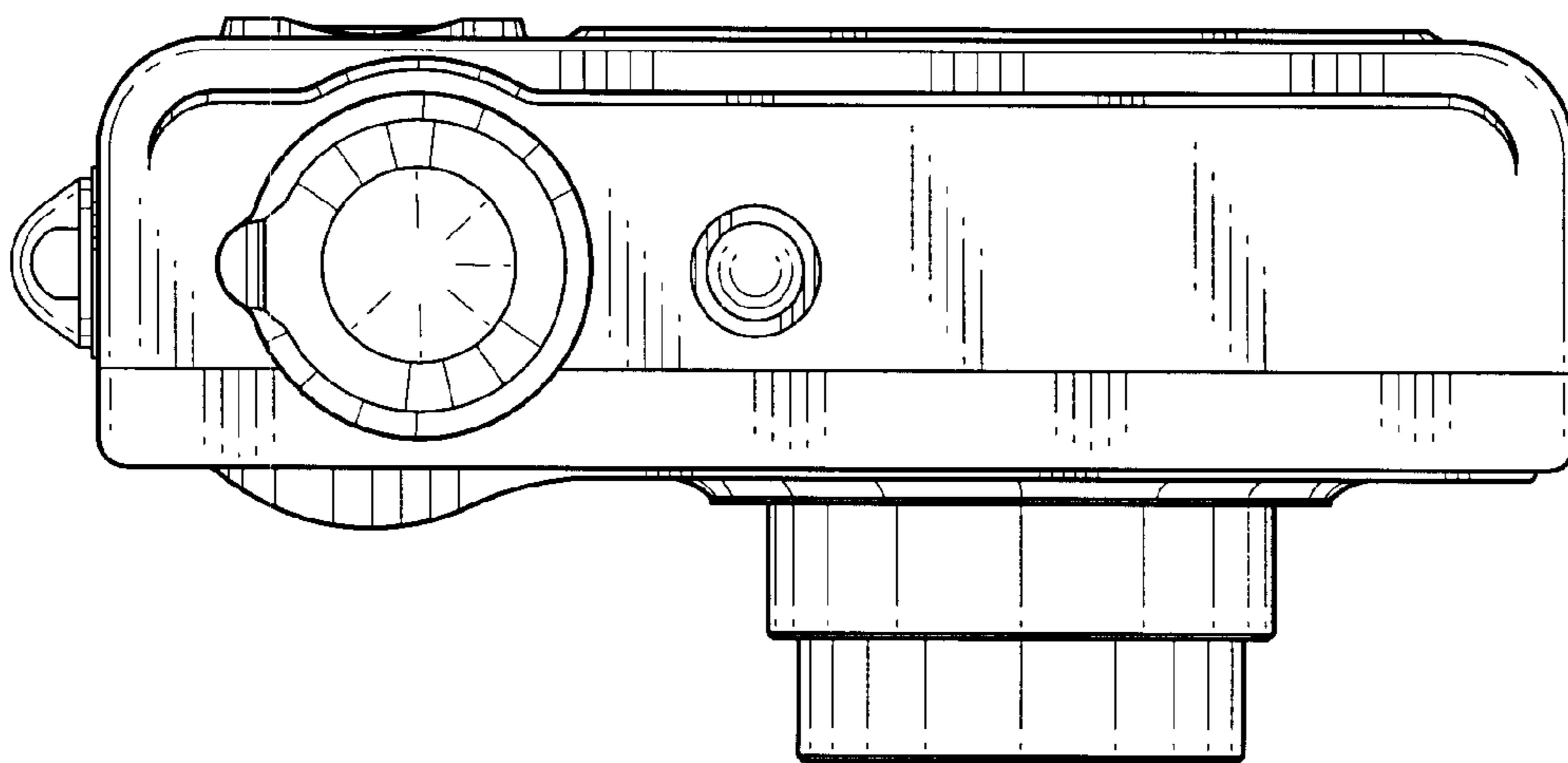


FIG.5

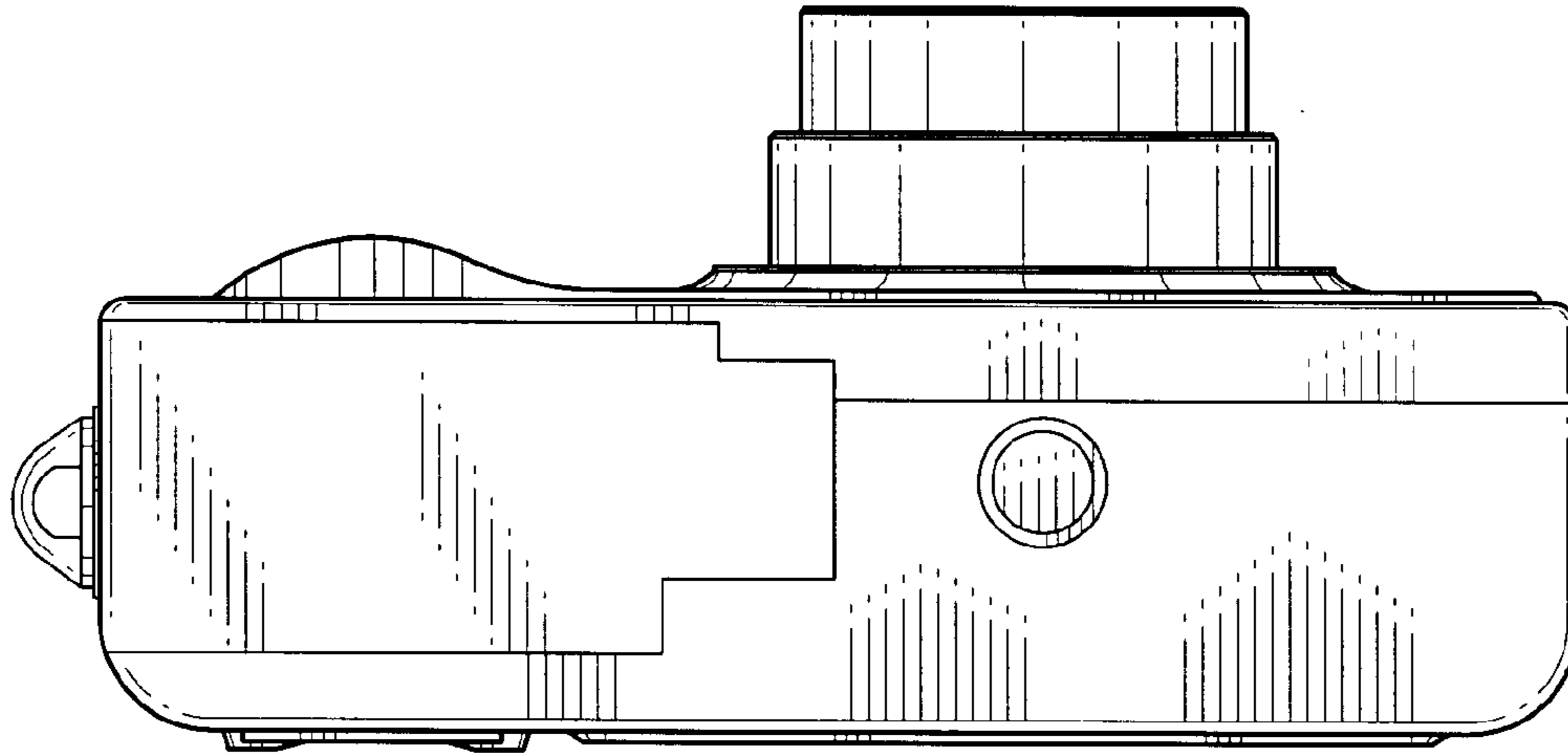


FIG.6

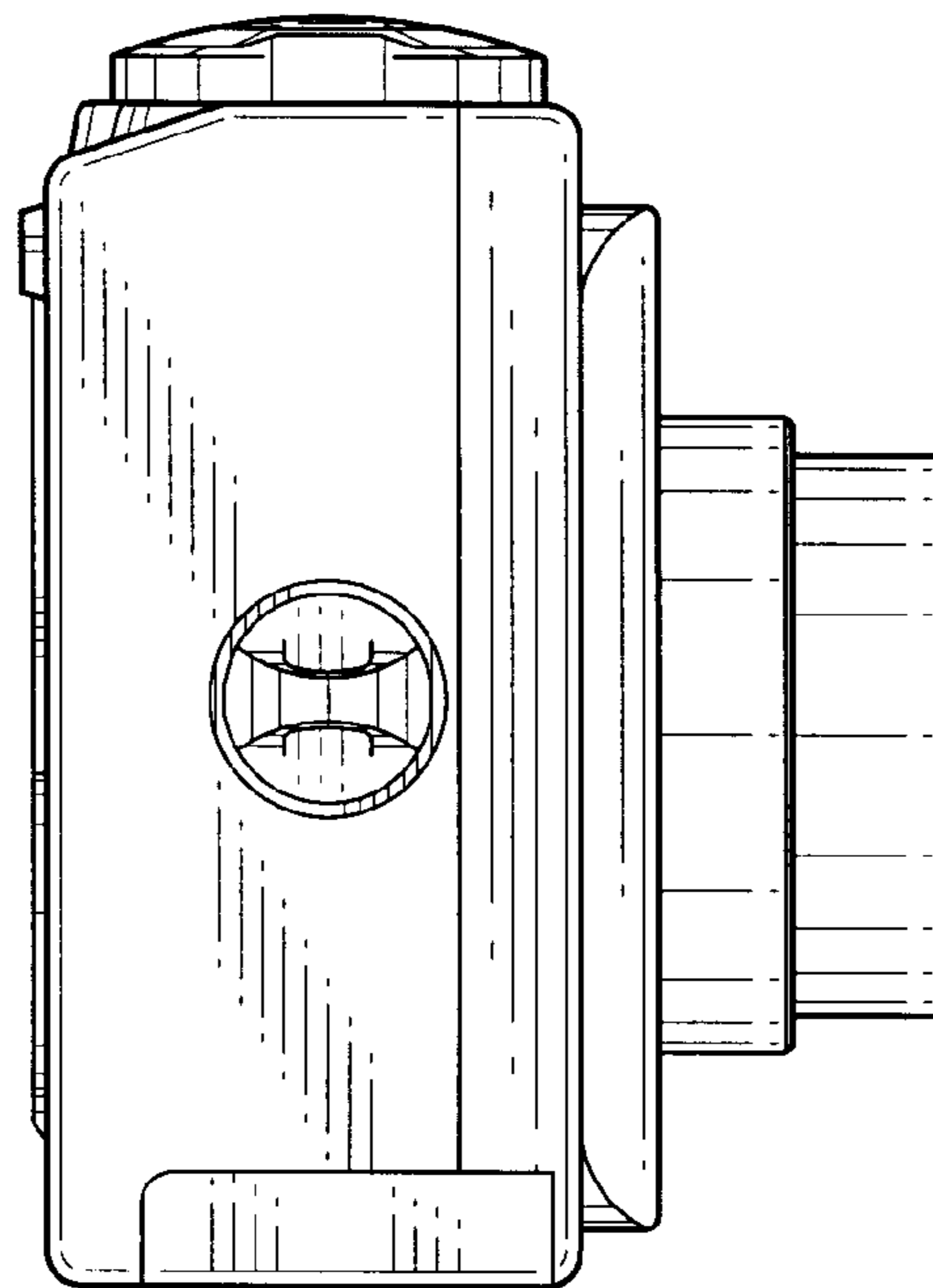


FIG. 7

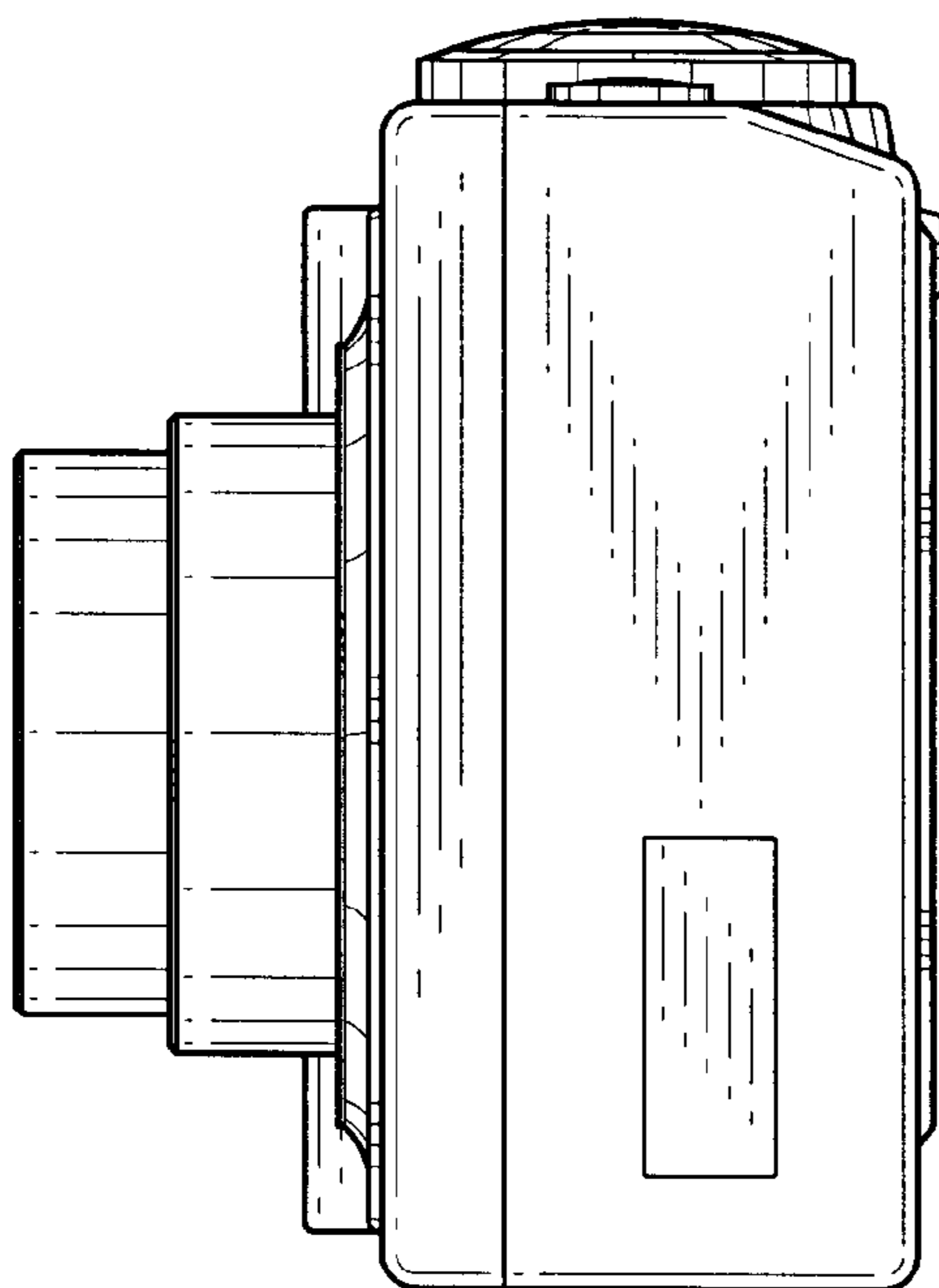


FIG. 8

