



US00D532029S

(12) **United States Design Patent**
Kim

(10) **Patent No.:** **US D532,029 S**

(45) **Date of Patent:** **** Nov. 14, 2006**

(54) **DIGITAL CAMERA**

(75) Inventor: **Joo Bok Kim**, Seongnam-si (KR)

(73) Assignee: **Samsung Techwin Co., Ltd.**,
Changwon (KR)

(**) Term: **14 Years**

(21) Appl. No.: **29/229,081**

(22) Filed: **May 3, 2005**

(30) **Foreign Application Priority Data**

Jan. 26, 2005 (KR) 30-2005-0002599

(51) **LOC (8) Cl.** **16-01**

(52) **U.S. Cl.** **D16/202**

(58) **Field of Classification Search** D16/200-204,
D16/208, 218; 348/373-376; 358/909.1;
396/6, 535, 536-541

See application file for complete search history.

(56) **References Cited**

U.S. PATENT DOCUMENTS

D387,078 S * 12/1997 Akita D16/202

D503,946 S * 4/2005 Chao et al. D16/202

D508,711 S * 8/2005 Suzuki D16/202

D519,539 S * 4/2006 Takagi D16/202

D521,043 S * 5/2006 Takagi D16/202

D522,555 S * 6/2006 Choi D16/202

* cited by examiner

Primary Examiner—Adir Aronovich

(74) *Attorney, Agent, or Firm*—Gardner Carton & Douglas
LLP

(57) **CLAIM**

I claim the ornamental design for a digital camera, as shown
and described.

DESCRIPTION

FIG. 1 is a front perspective view of the design for a digital
camera;

FIG. 2 is a rear perspective view of the design for a digital
camera;

FIG. 3 is a front view of the design of FIG. 1;

FIG. 4 is a rear view of the design of FIG. 1;

FIG. 5 is a left side view of the design of FIG. 1;

FIG. 6 is a right side view of the design of FIG. 1;

FIG. 7 is a top view of the design of FIG. 1;

FIG. 8 is a bottom view of the design of FIG. 1; and,

FIG. 9 is a front view showing the status opening the barrier
of the design of FIG. 1.

1 Claim, 5 Drawing Sheets

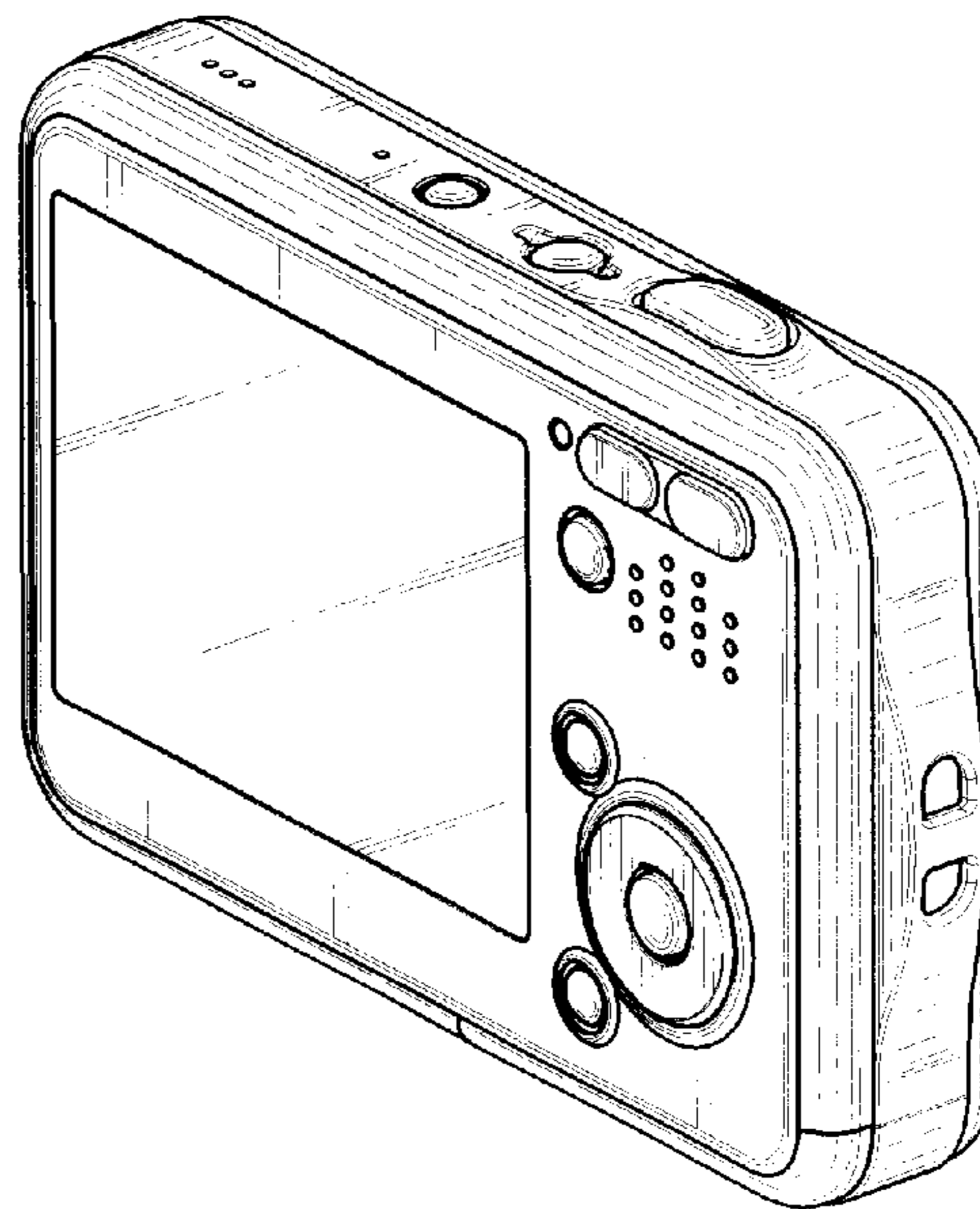
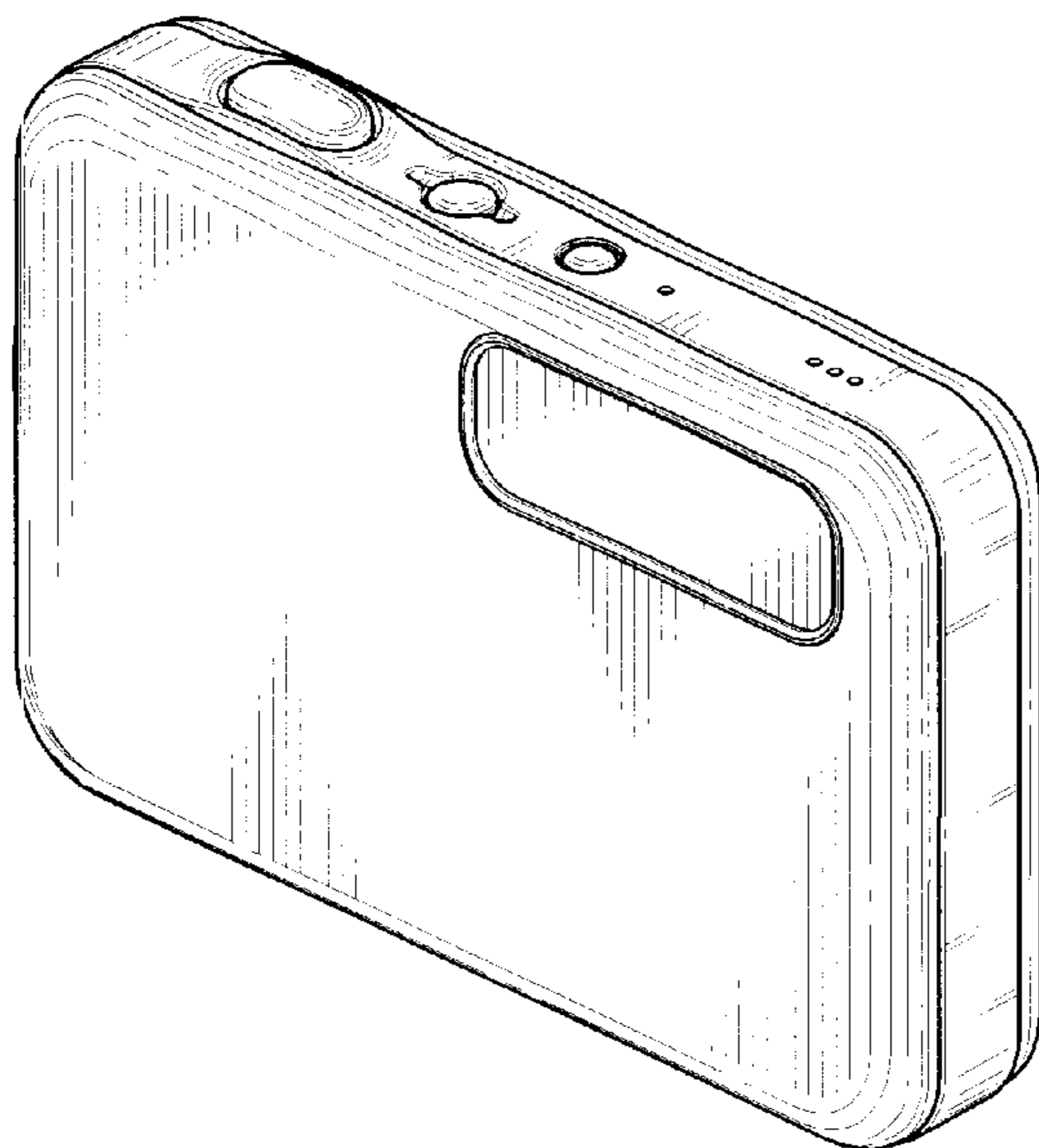


FIG. 1

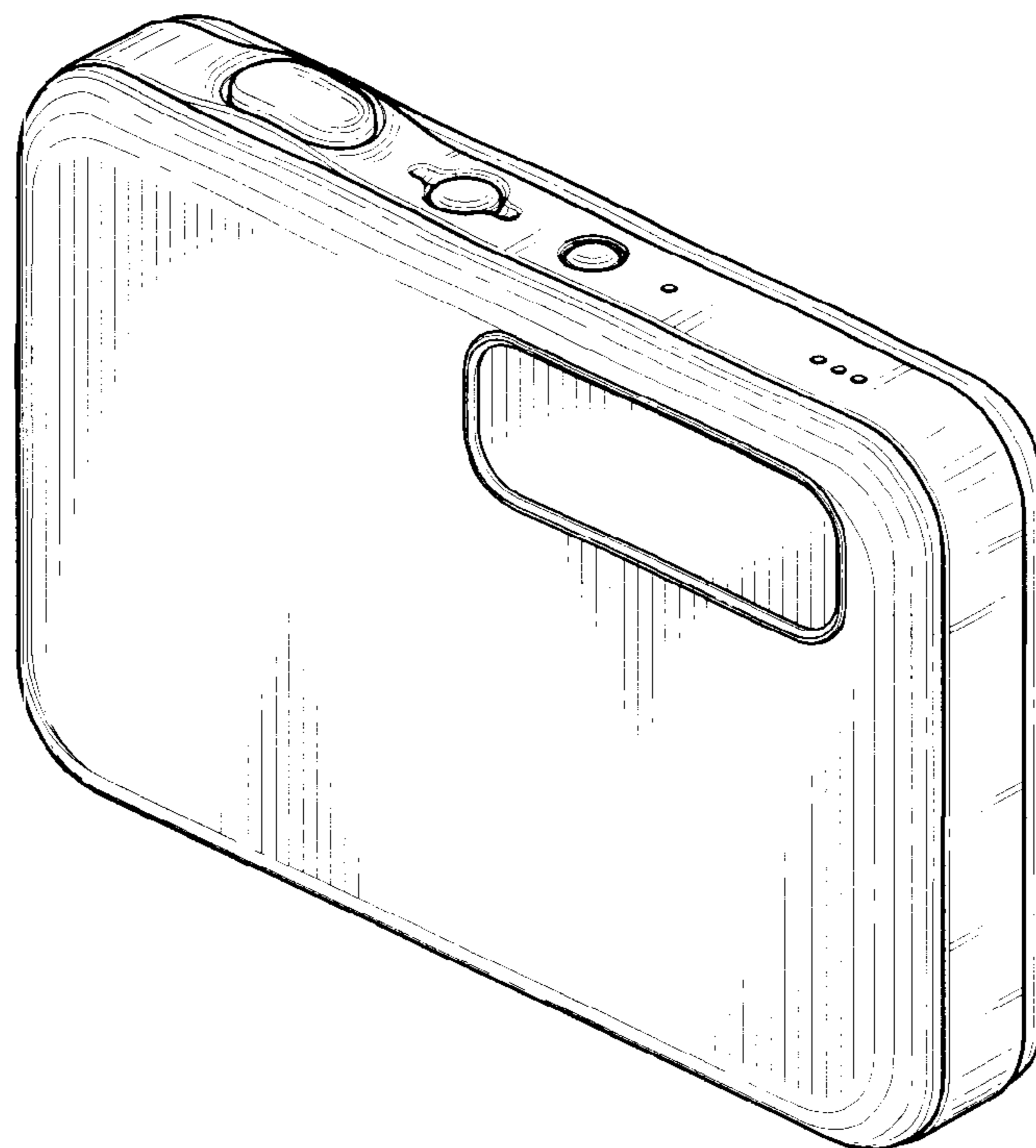


FIG. 2

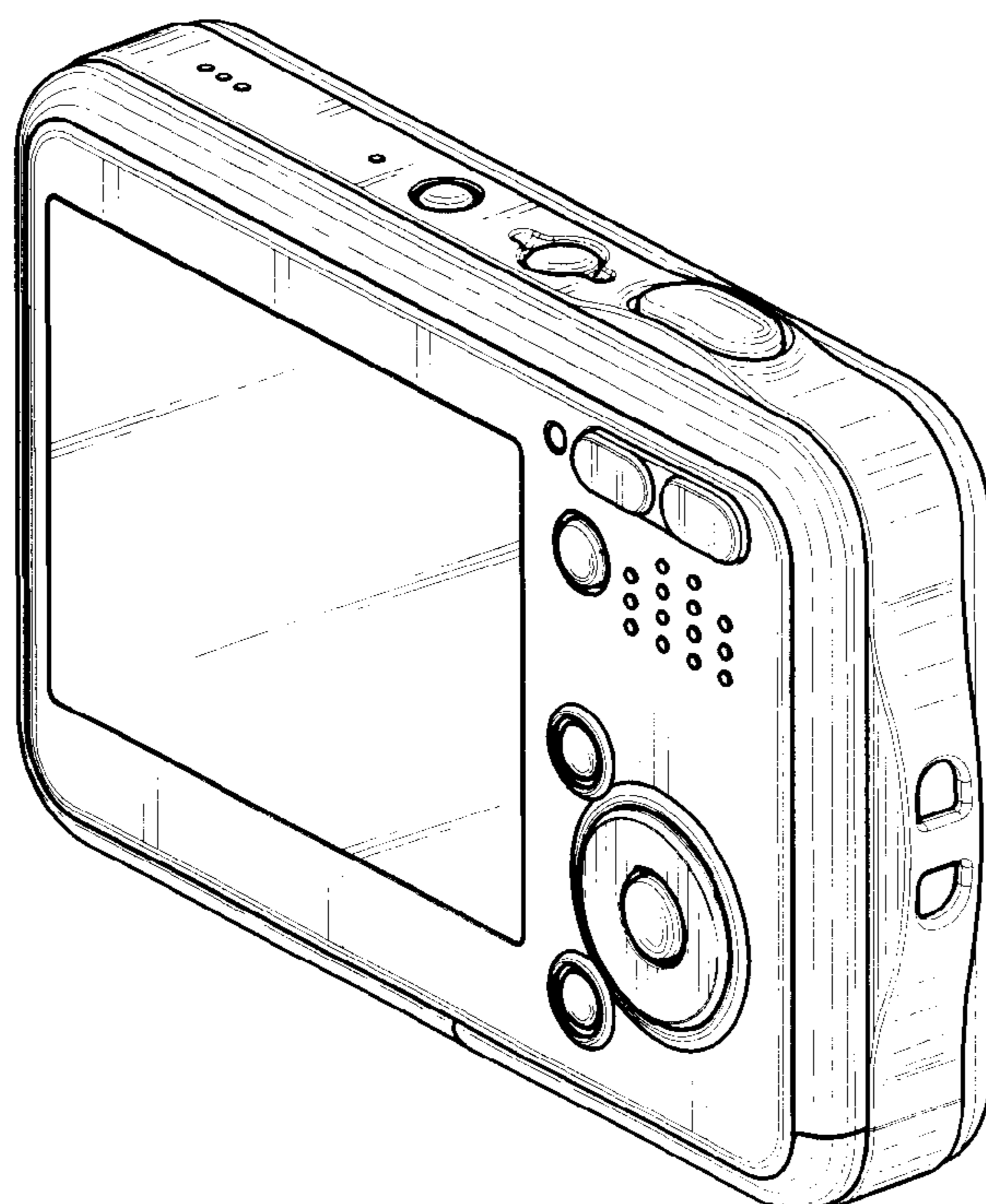


FIG. 3

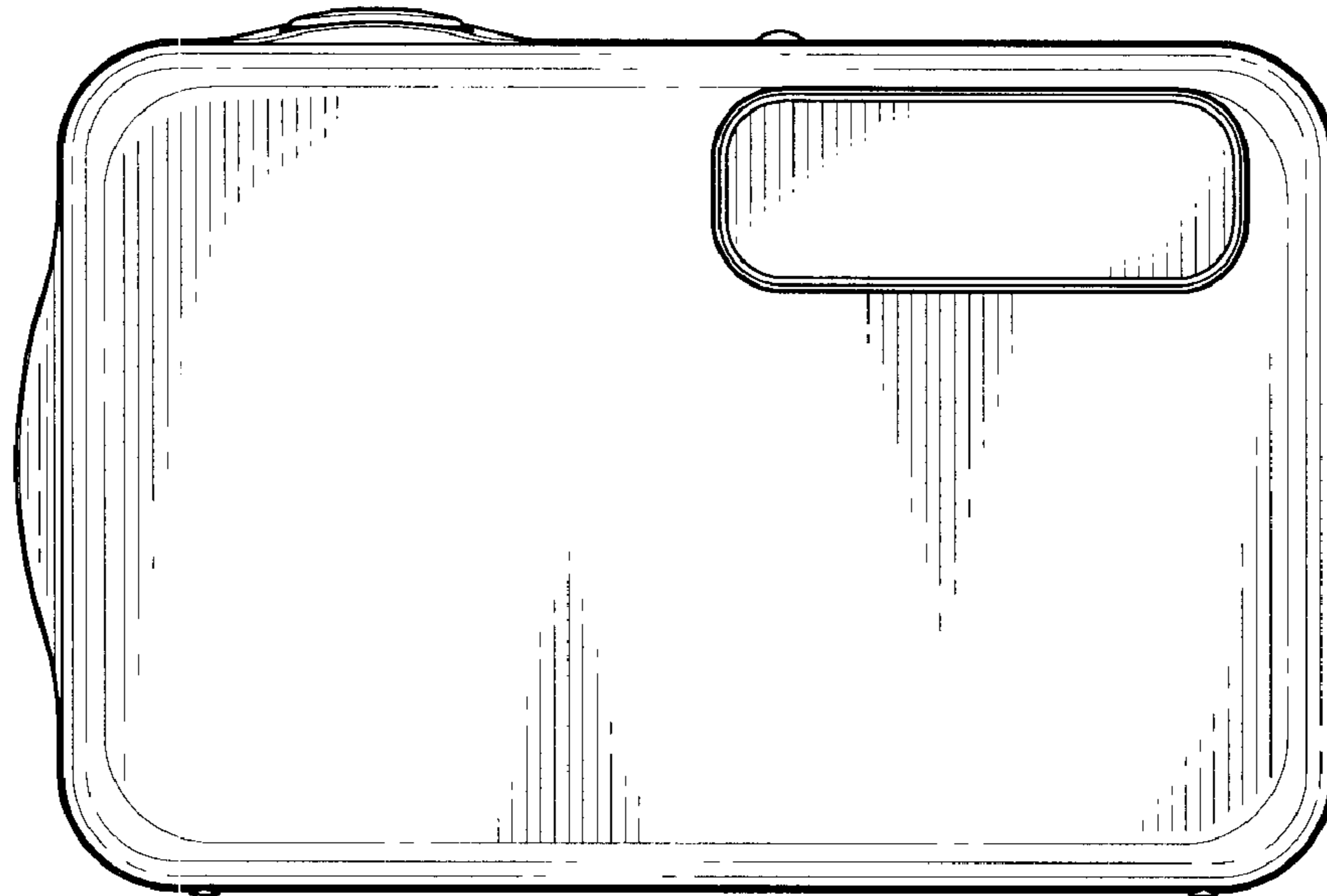


FIG. 4

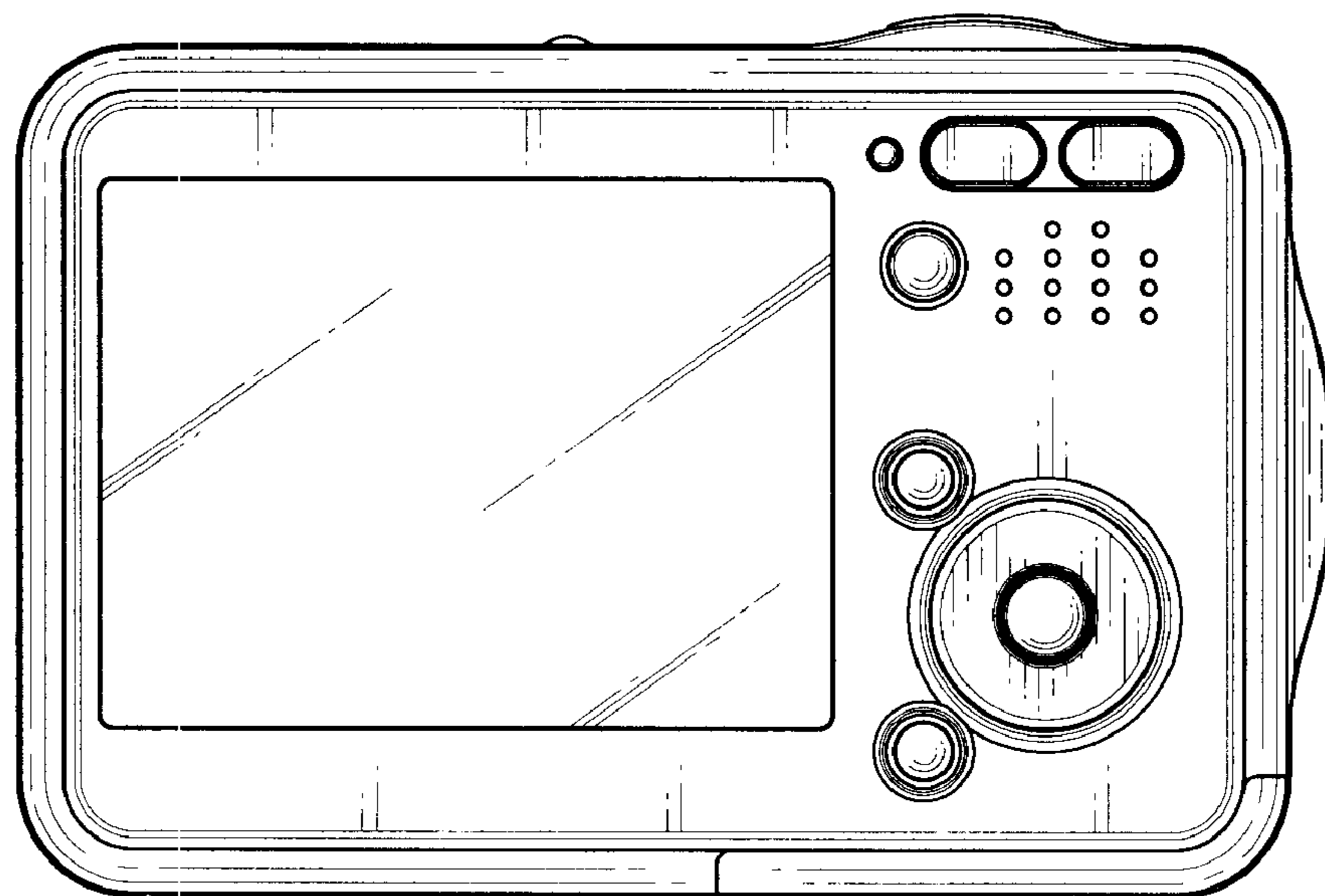


FIG. 5

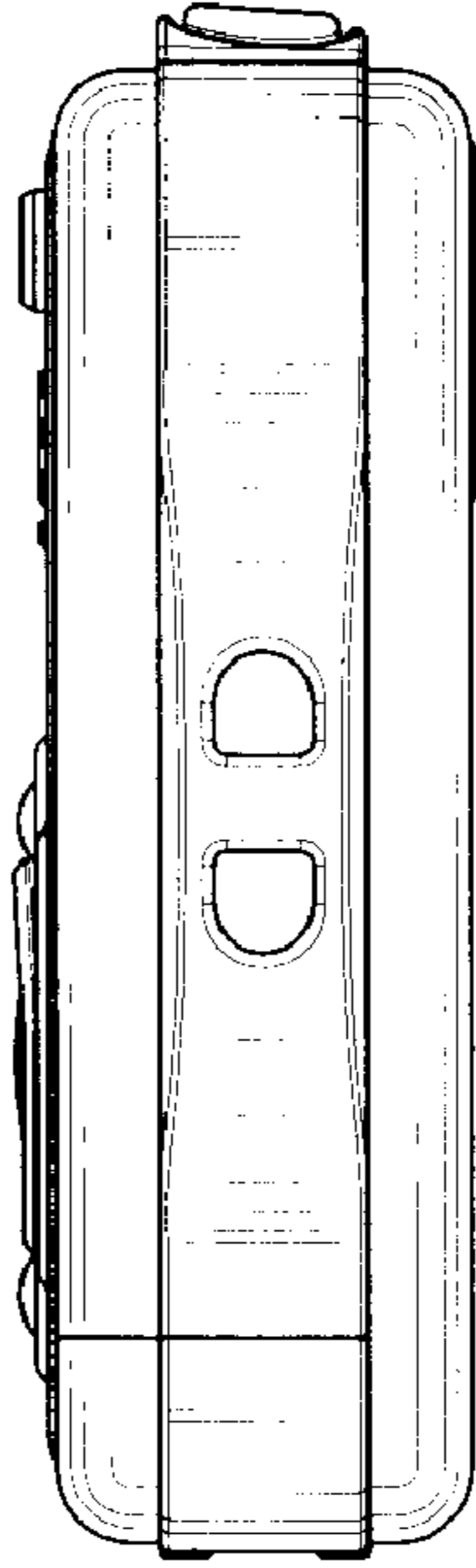


FIG. 6

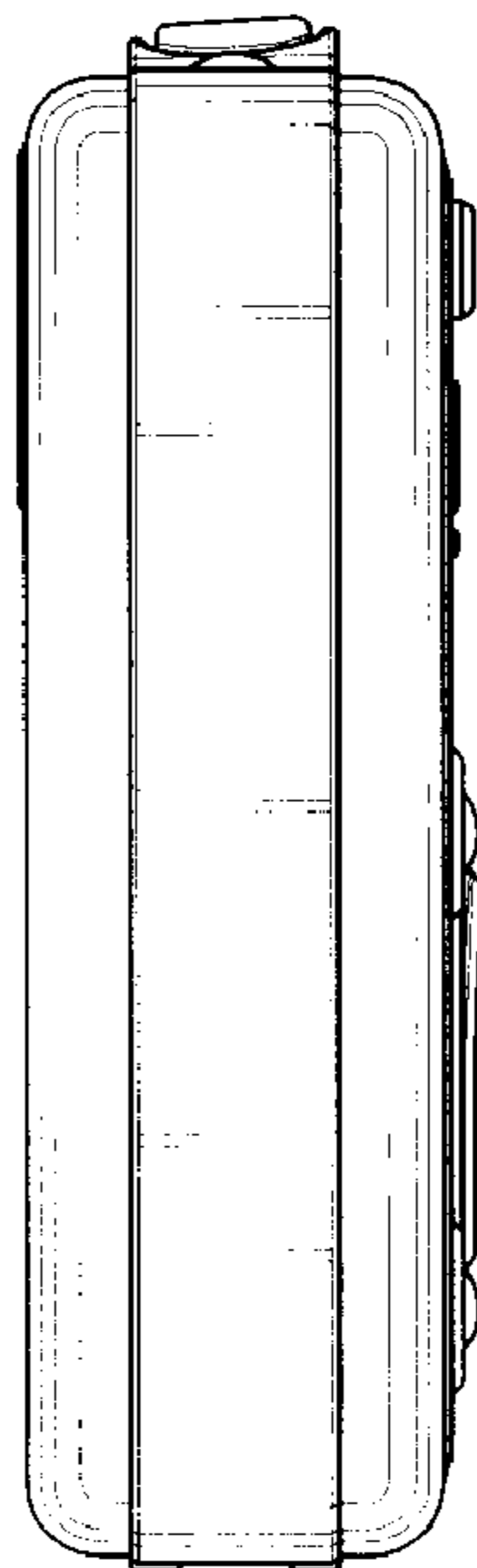


FIG. 7

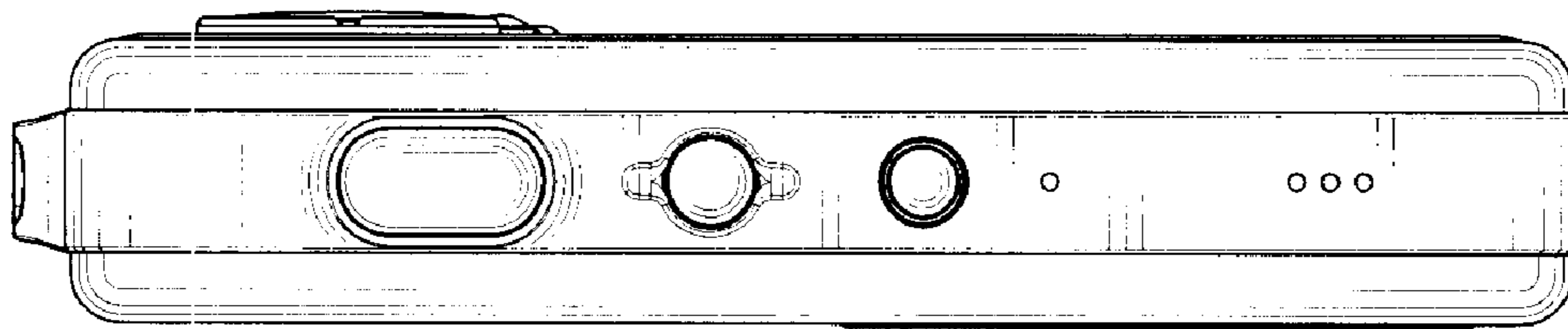


FIG. 8

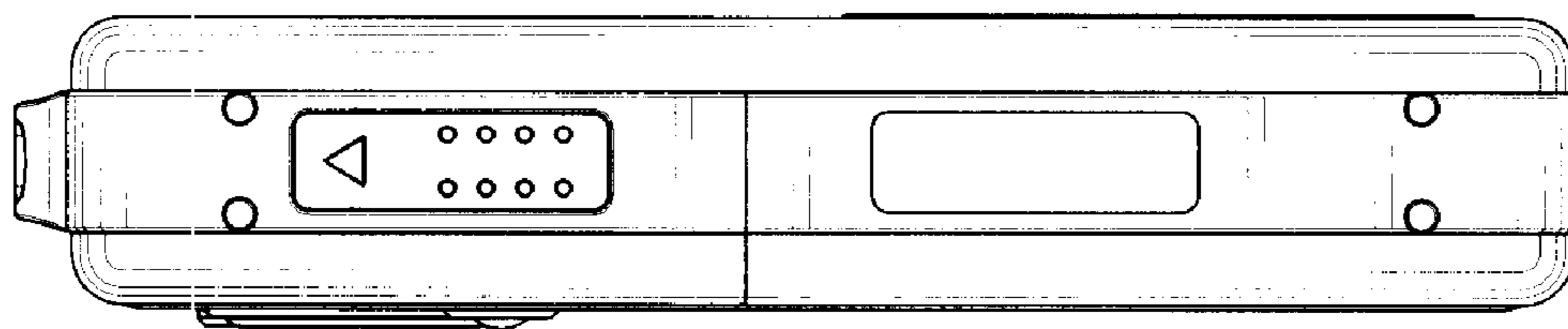


FIG. 9

