



US00D532028S

(12) **United States Design Patent**
Sakai

(10) **Patent No.:** **US D532,028 S**

(45) **Date of Patent:** **** Nov. 14, 2006**

(54) **ELECTRONIC CAMERA**

D473,886 S * 4/2003 Katayama D16/202
D484,157 S * 12/2003 Watanabe et al. D16/202
D494,612 S * 8/2004 Yang et al. D16/202

(75) Inventor: **Masayuki Sakai**, Tokyo (JP)

* cited by examiner

(73) Assignee: **Fuji Photo Film Co., Ltd.**, Kanagawa (JP)

Primary Examiner—Adir Aronovich

(**) Term: **14 Years**

(74) *Attorney, Agent, or Firm*—Young & Thompson

(21) Appl. No.: **29/228,337**

(57) **CLAIM**

(22) Filed: **Apr. 22, 2005**

The ornamental design for an electronic camera, as shown and described.

(30) **Foreign Application Priority Data**

DESCRIPTION

Oct. 22, 2004 (JP) 2004-032181

(51) **LOC (8) Cl.** **16-01**

(52) **U.S. Cl.** **D16/202**

(58) **Field of Classification Search** D16/200–204,
D16/208, 209, 218; 348/373–376; 358/909.1;
396/6, 535, 536–541

FIG. 1 is a top, front and side perspective view of an electronic camera showing my new design;
FIG. 2 is a front elevational view thereof;
FIG. 3 is a rear elevational view thereof;
FIG. 4 is a top plan view thereof;
FIG. 5 is a bottom plan view thereof;
FIG. 6 is a side elevational view thereof from the left of FIG. 2;
FIG. 7 is a side elevational view thereof from the right of FIG. 2; and,
FIG. 8 is a view similar to FIG. 1 but with the parts in a different position.

See application file for complete search history.

(56) **References Cited**

U.S. PATENT DOCUMENTS

D353,610 S * 12/1994 Akabane et al. D16/209
D470,162 S * 2/2003 Nakamura et al. D16/202

1 Claim, 4 Drawing Sheets

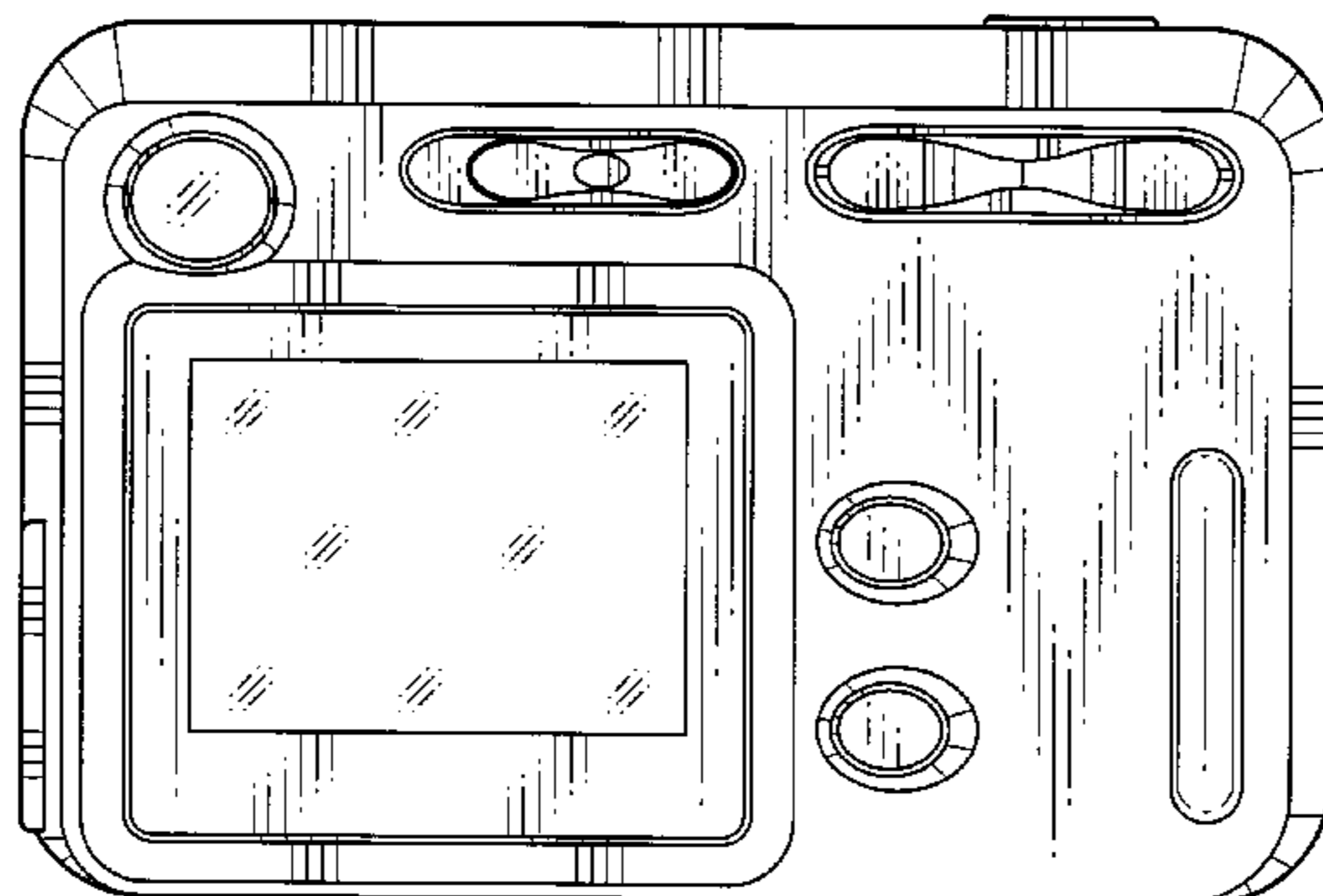
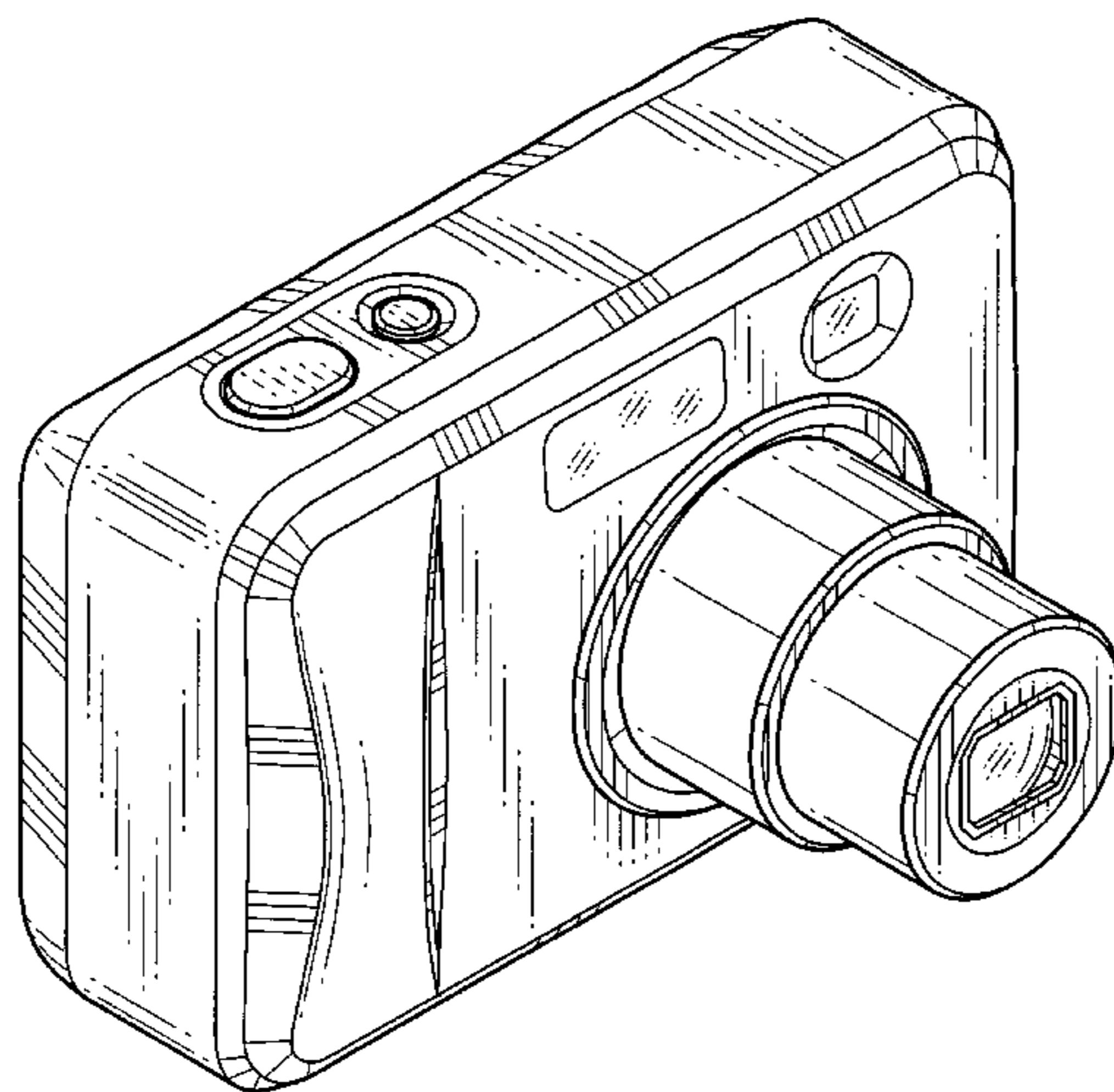


FIG.1

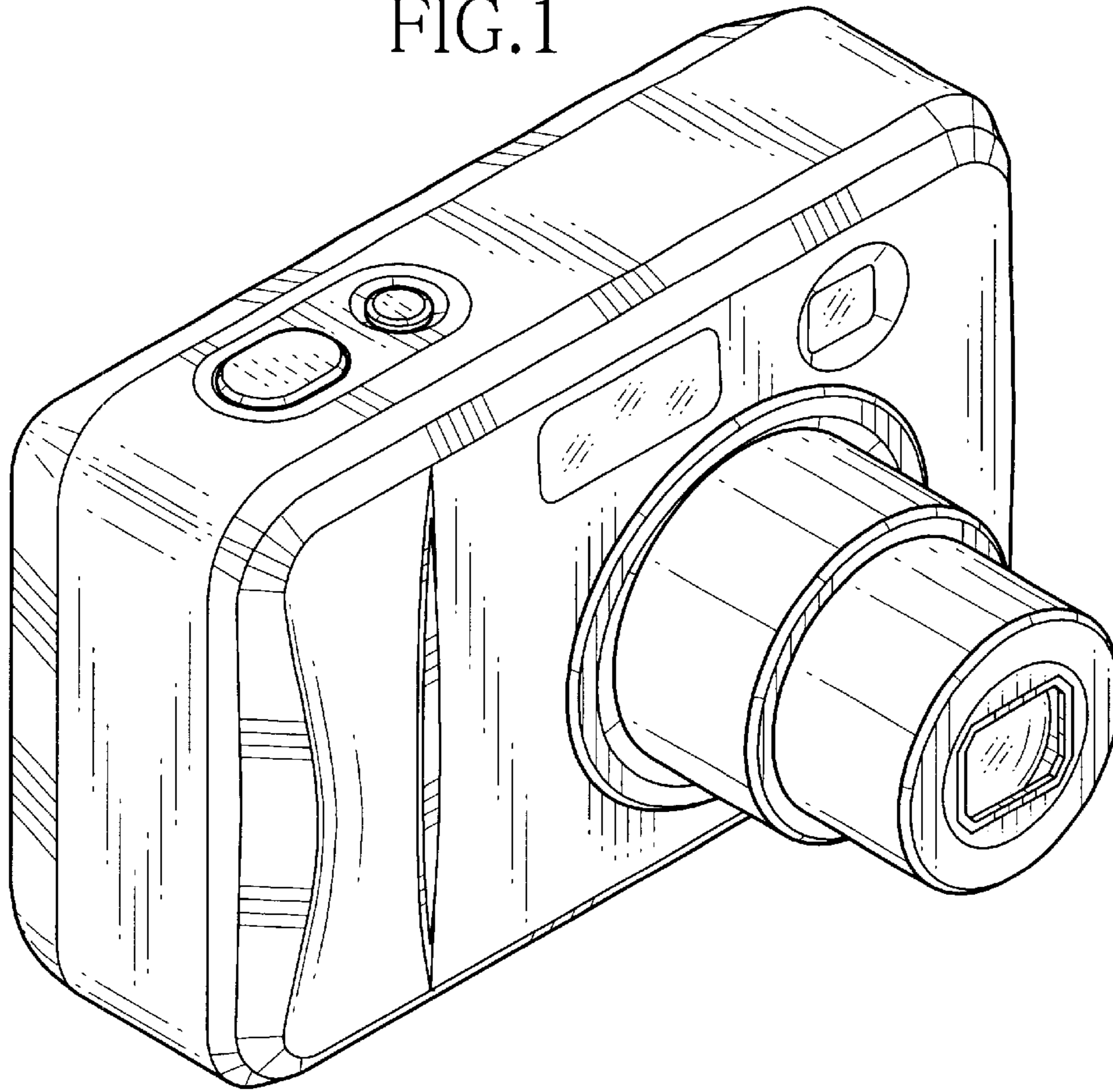


FIG.2

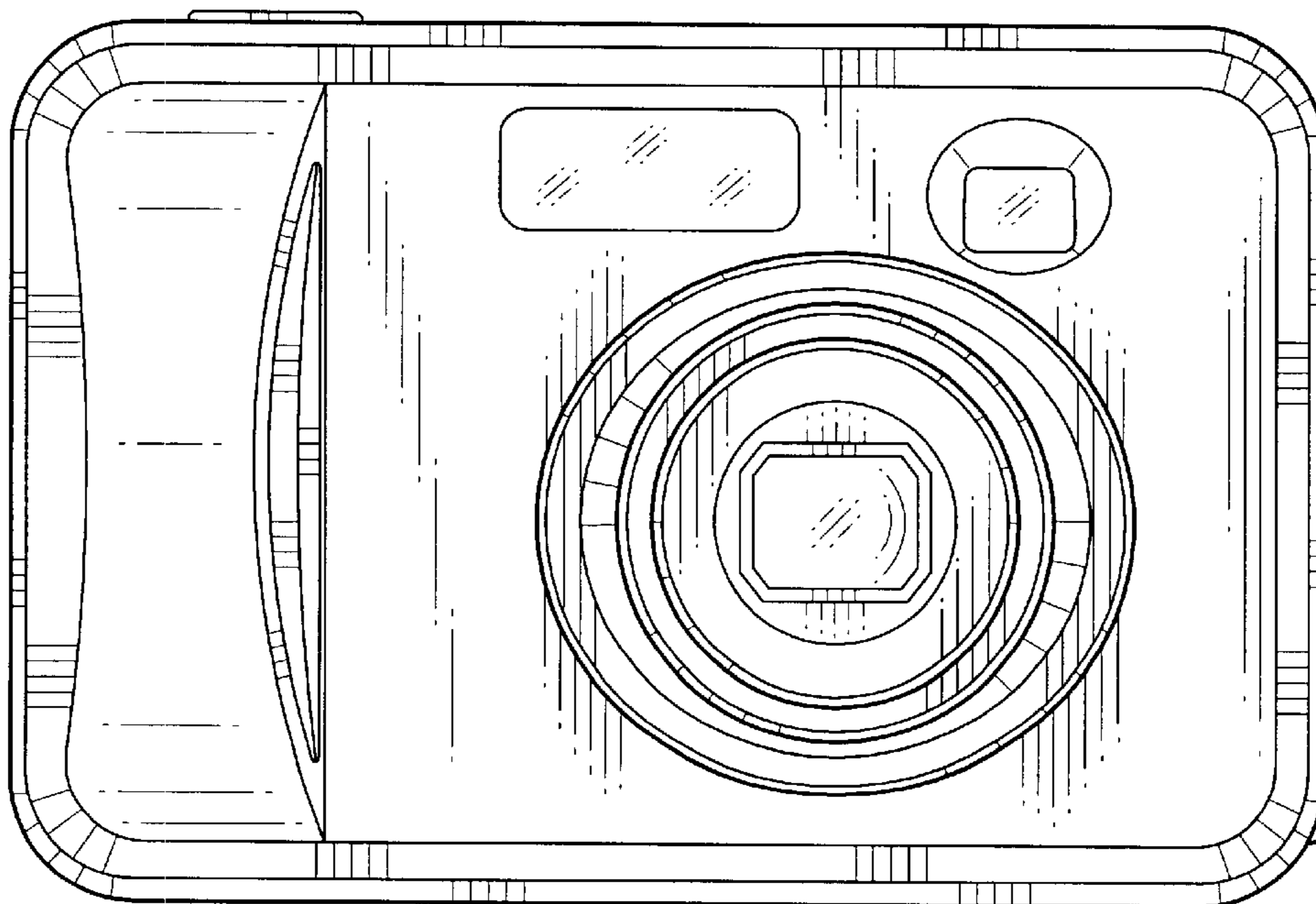


FIG.3

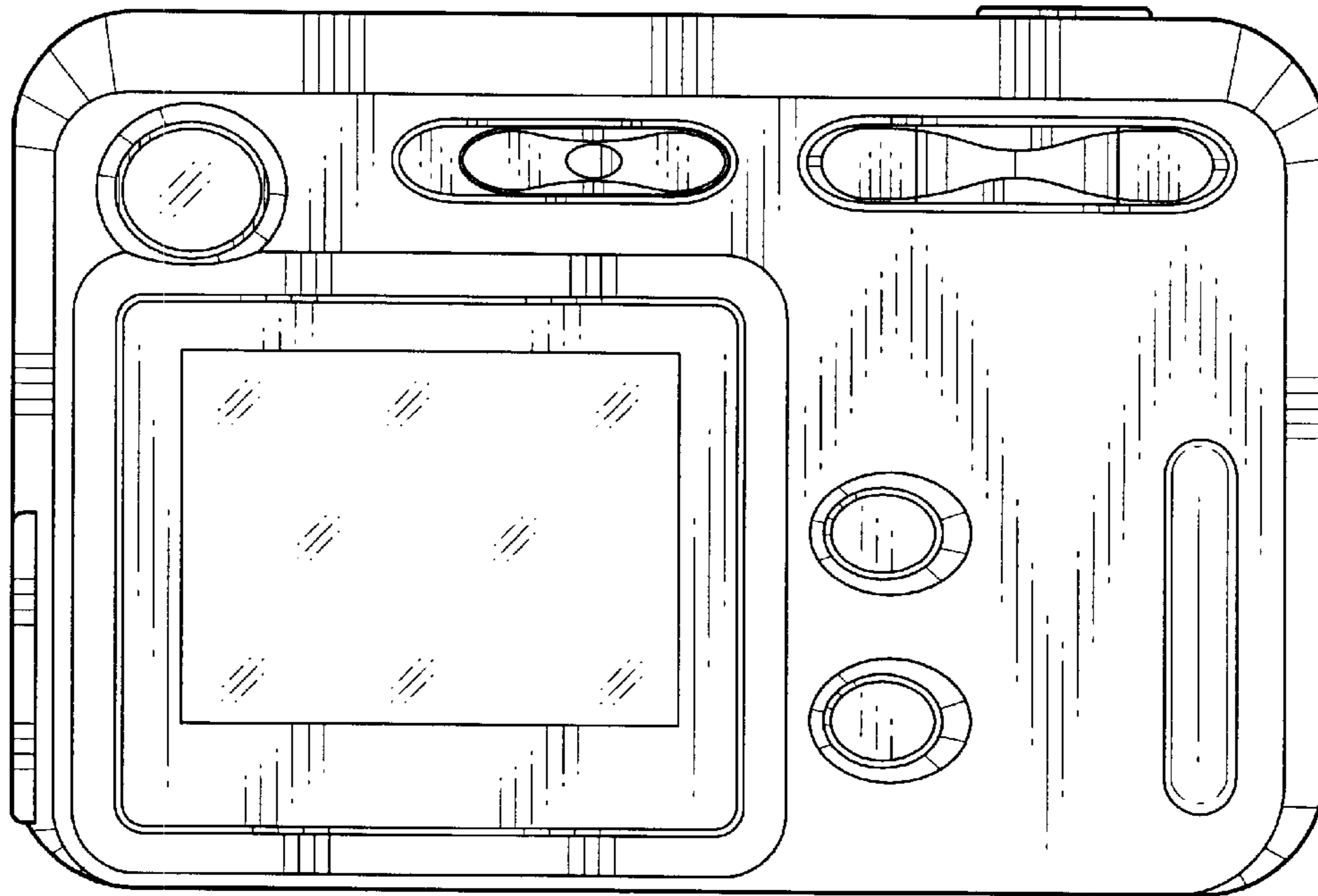


FIG.4

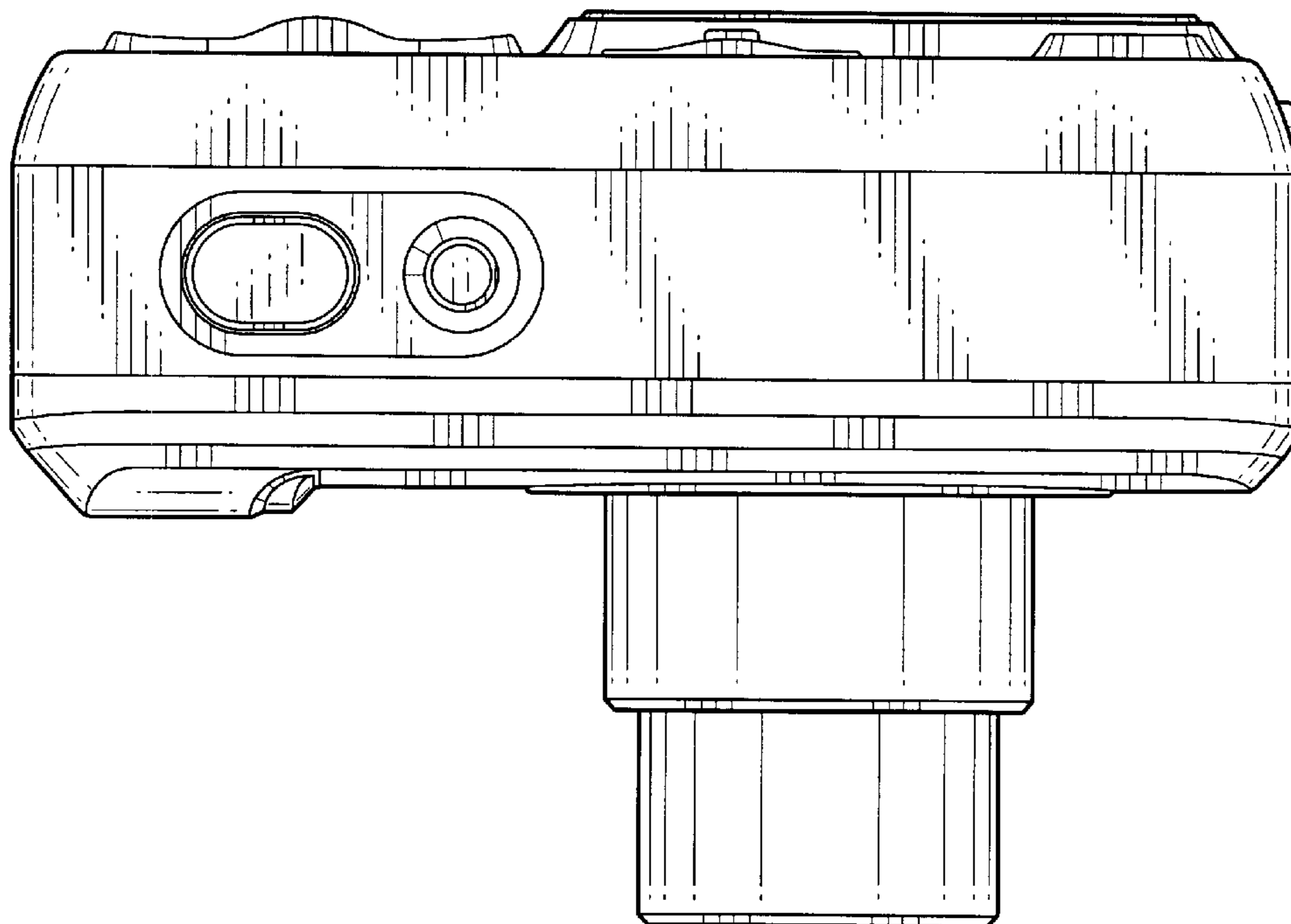


FIG.5

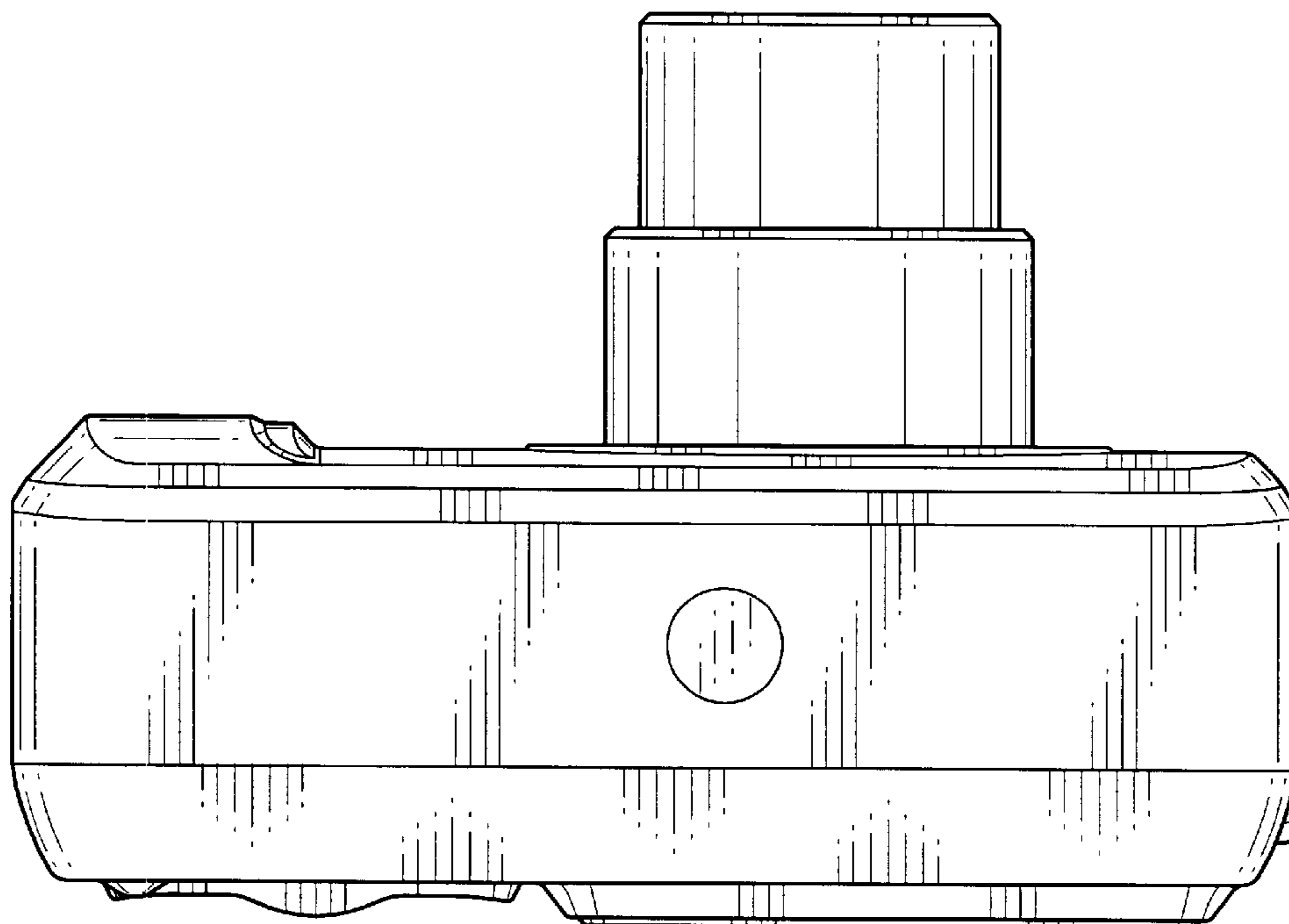


FIG.6

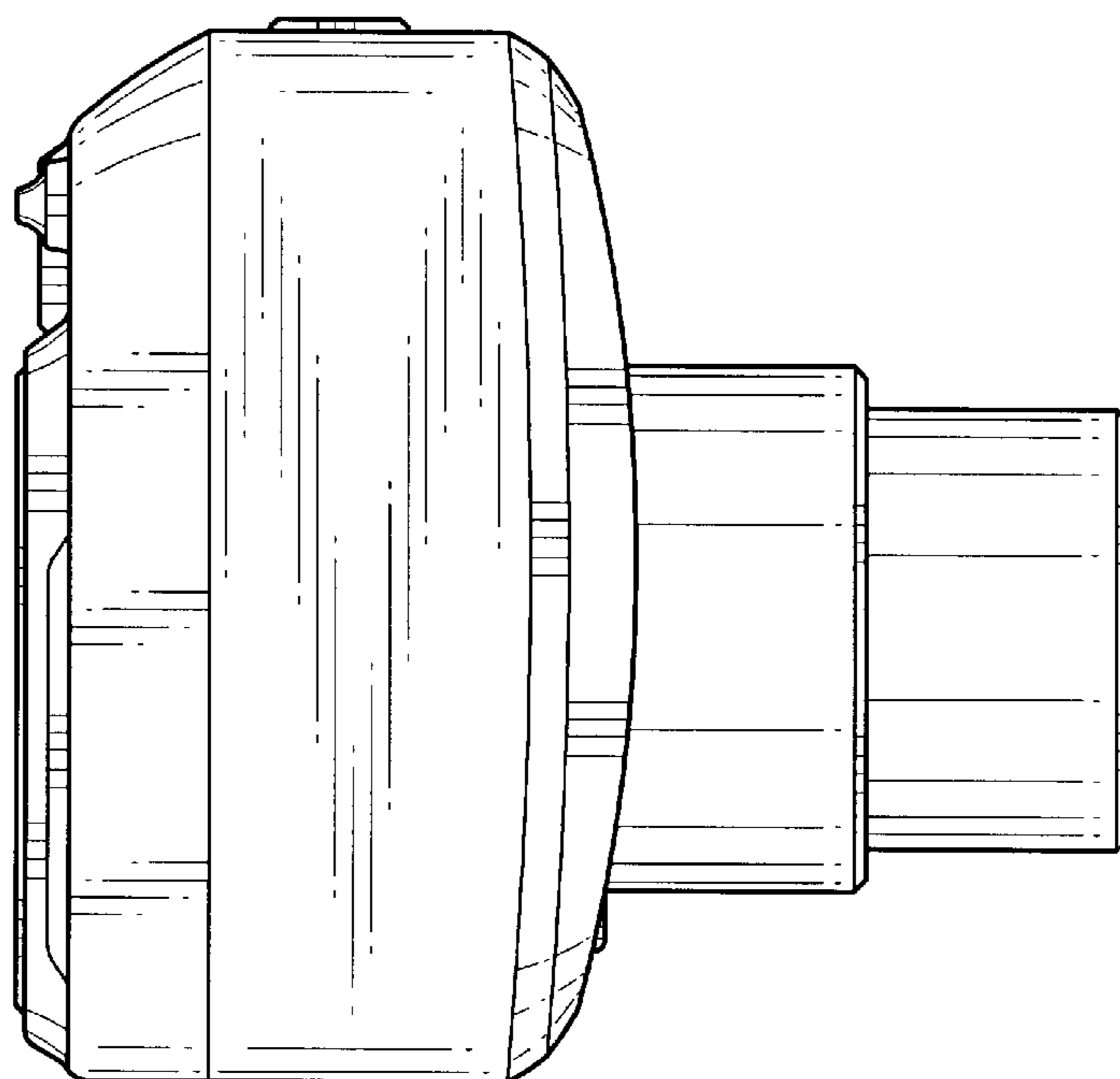


FIG.7

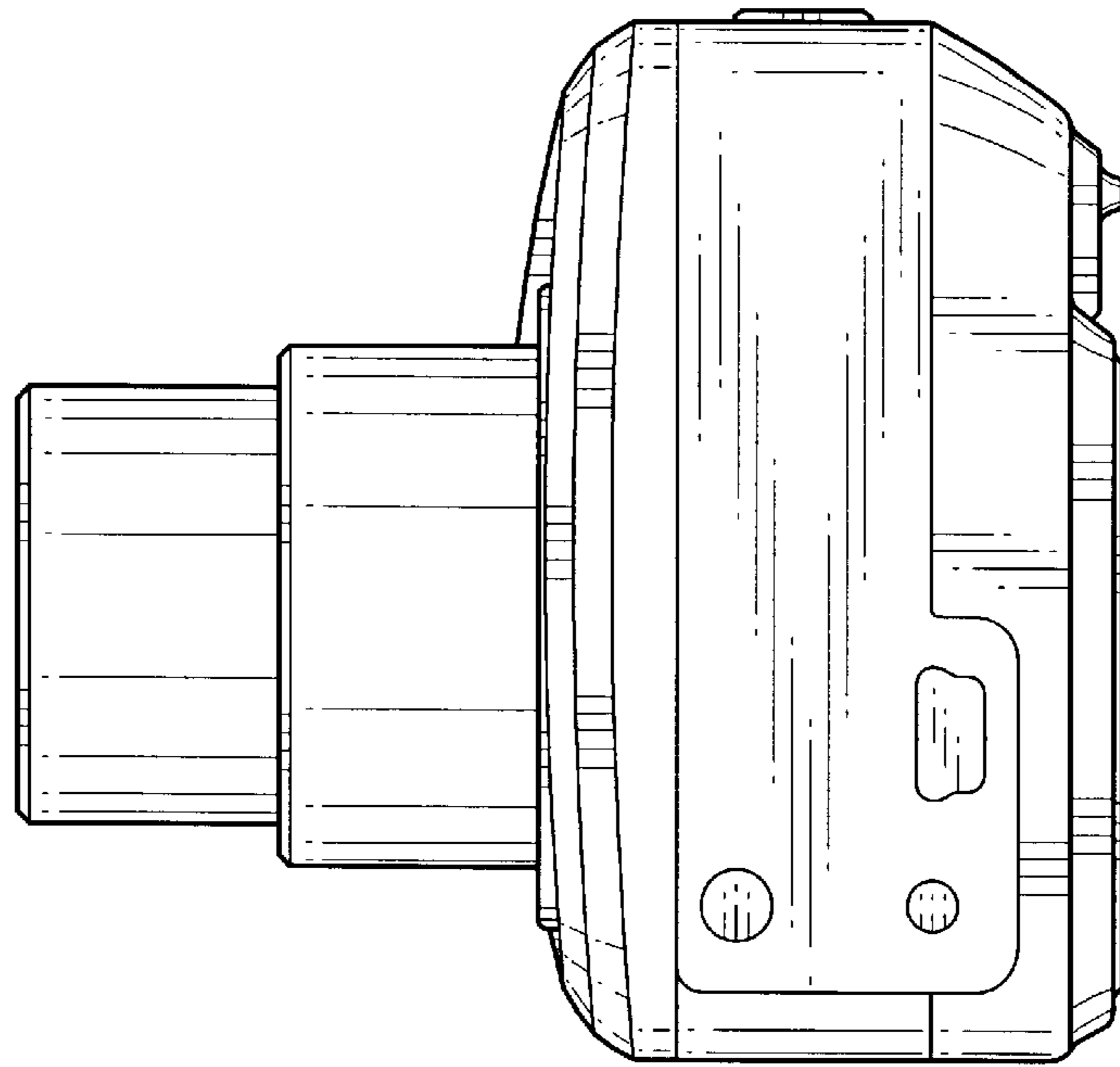


FIG.8

