

US00D532027S

(12) **United States Design Patent**
Lee

(10) **Patent No.:** **US D532,027 S**

(45) **Date of Patent:** **** Nov. 14, 2006**

(54) **DIGITAL CAMERA**

(75) **Inventor:** **Eun Kyung Lee**, Seongnam-si (KR)

(73) **Assignee:** **Samsung Techwin Co., Ltd.**,
Changwon (KR)

(**) **Term:** **14 Years**

(21) **Appl. No.:** **29/227,865**

(22) **Filed:** **Apr. 15, 2005**

(30) **Foreign Application Priority Data**

Oct. 15, 2004 (KR) 30-2004-0031662

(51) **LOC (8) Cl.** **16-01**

(52) **U.S. Cl.** **D16/202**

(58) **Field of Classification Search** D16/200-204,
D16/208, 218; 348/373-376; 358/909.1;
396/6, 535, 536-541

See application file for complete search history.

(56) **References Cited**

U.S. PATENT DOCUMENTS

D404,752 S * 1/1999 Lin D16/218

D421,761 S * 3/2000 Chang et al. D16/209

6,542,700 B1 * 4/2003 Ito 396/535

D516,107 S * 2/2006 Kim D16/202

D516,596 S * 3/2006 Watarai D16/202

7,057,660 B1 * 6/2006 Okuda 348/373

* cited by examiner

Primary Examiner—Adir Aronovich

(74) *Attorney, Agent, or Firm*—Gardner Carton & Douglas
LLP

(57) **CLAIM**

I claim the ornamental design for a digital camera, as shown
and described.

DESCRIPTION

FIG. 1 is a perspective view of the design for a digital
camera;

FIG. 2 is a front view of the design of FIG. 1;

FIG. 3 is a rear view of the design of FIG. 1;

FIG. 4 is a left side view of the design of FIG. 1;

FIG. 5 is a right side view of the design of FIG. 1;

FIG. 6 is a top view of the design of FIG. 1; and,

FIG. 7 is a bottom view of the design of FIG. 1.

1 Claim, 4 Drawing Sheets

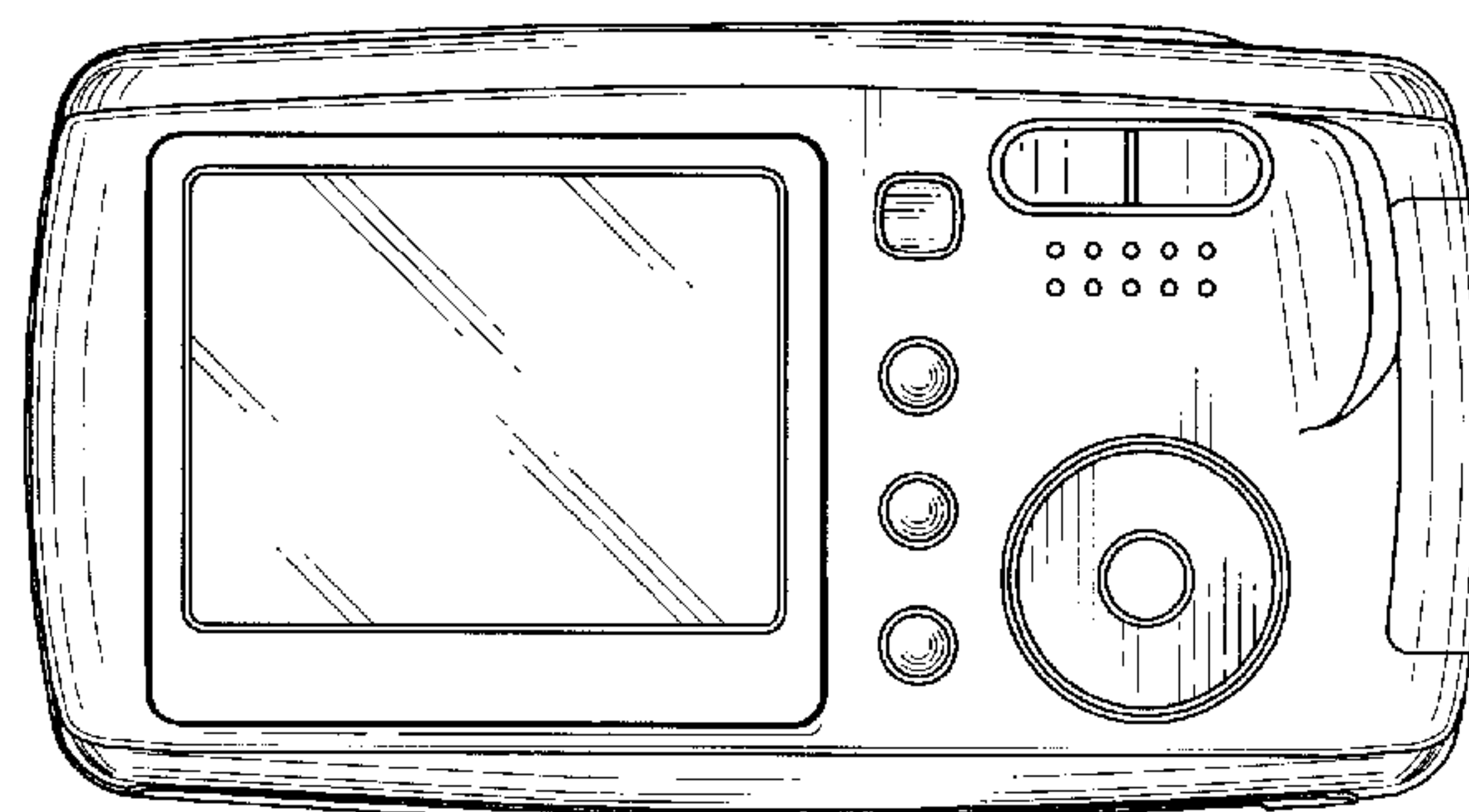
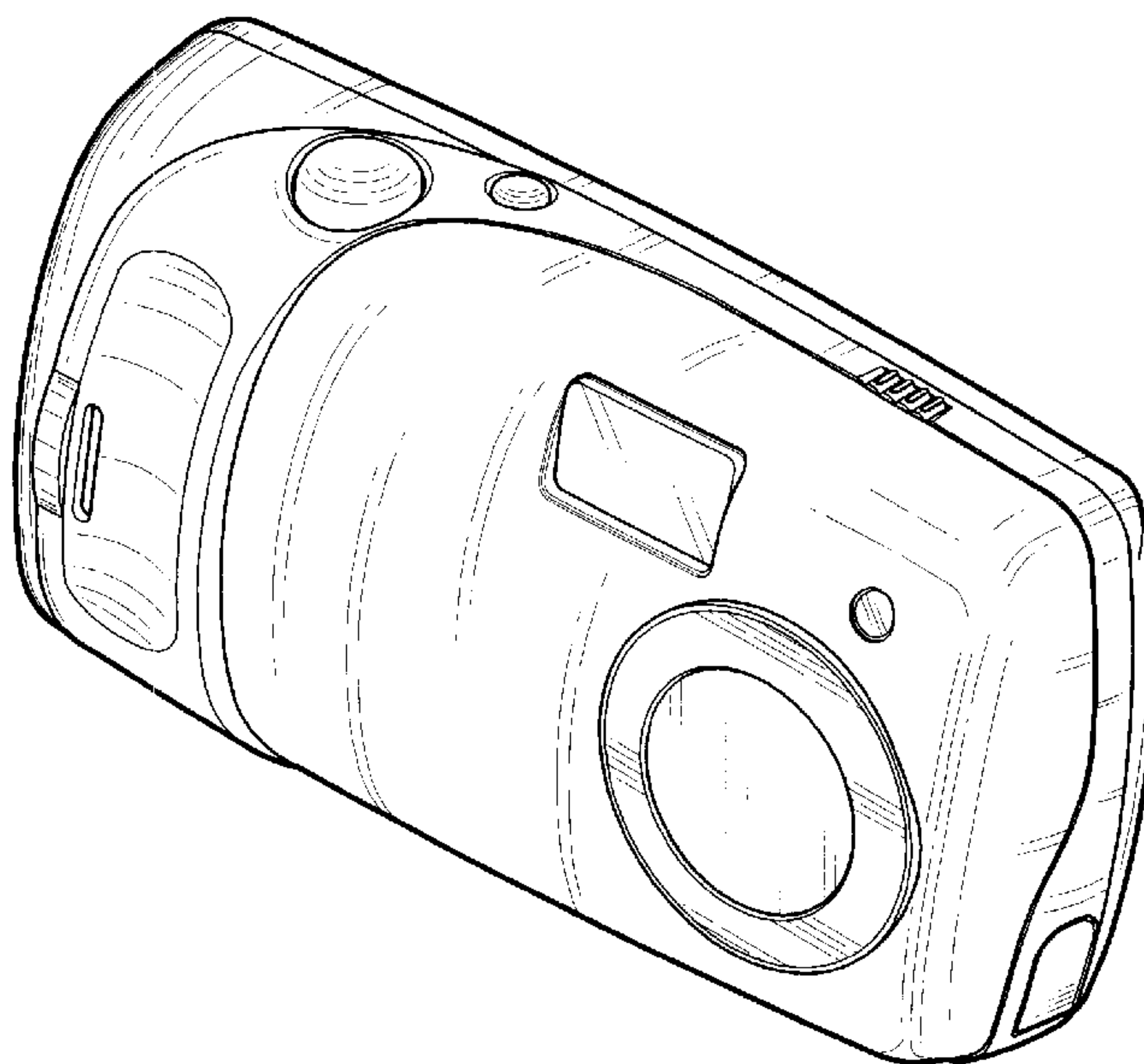


FIG. 1

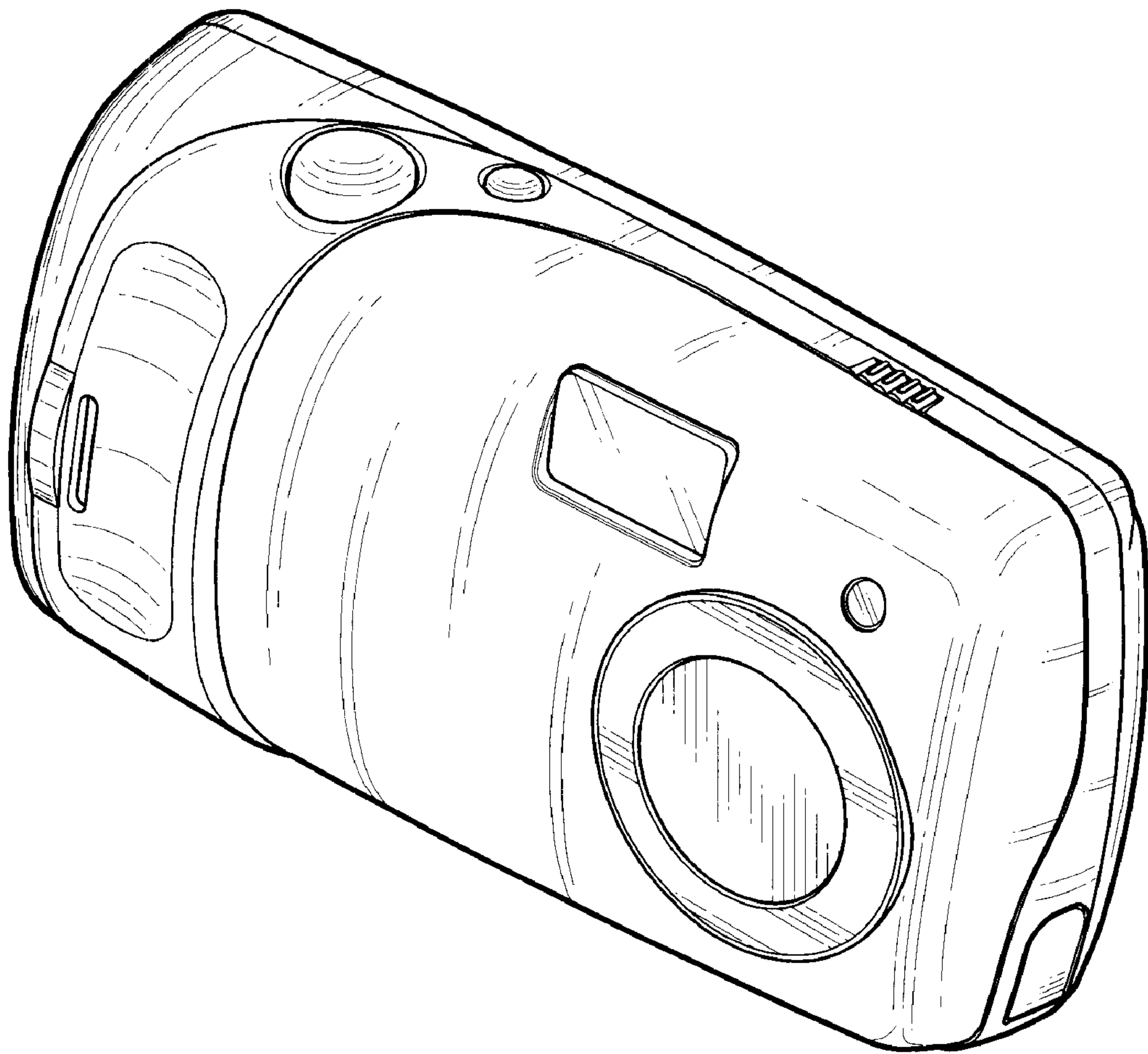


FIG. 2

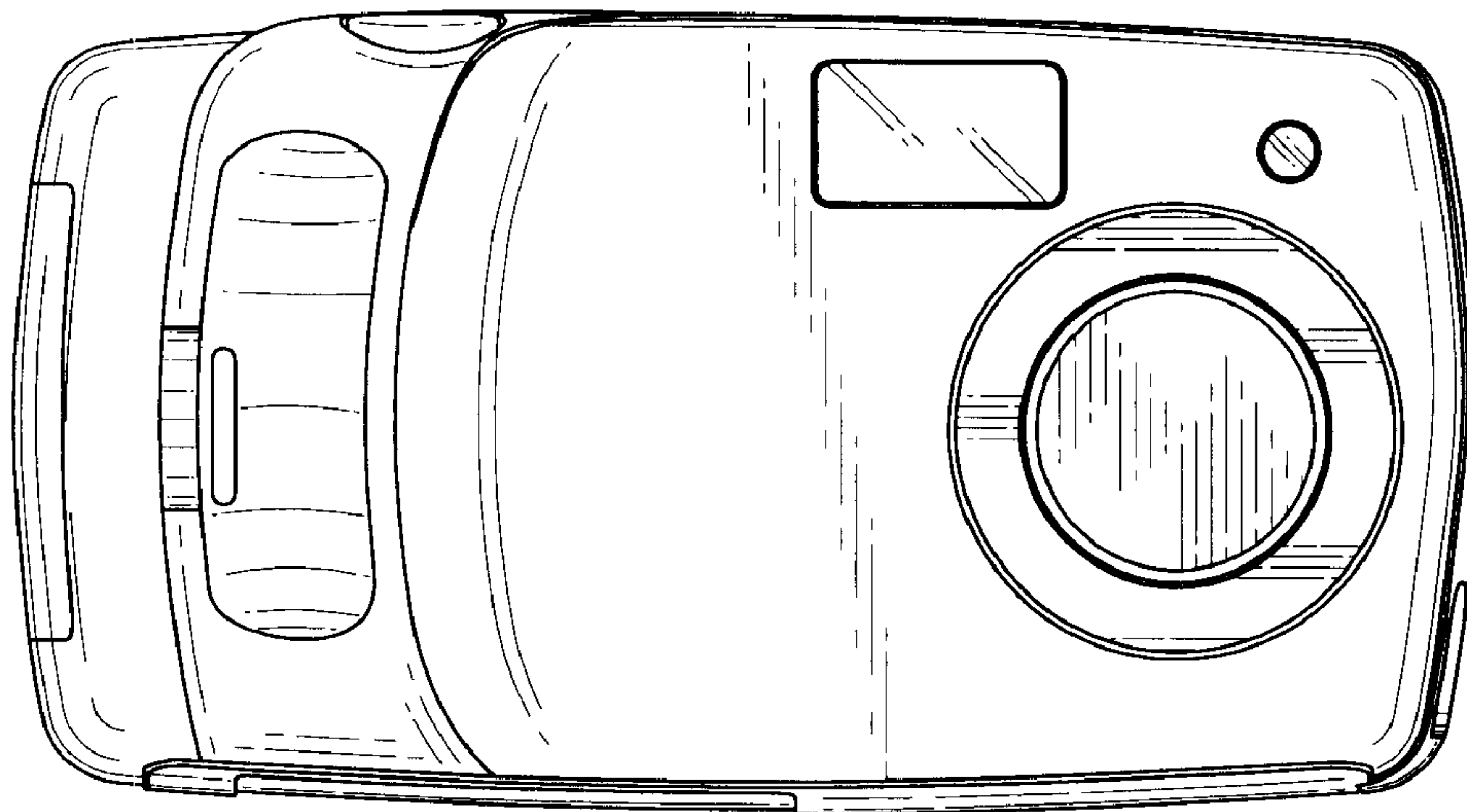


FIG. 3

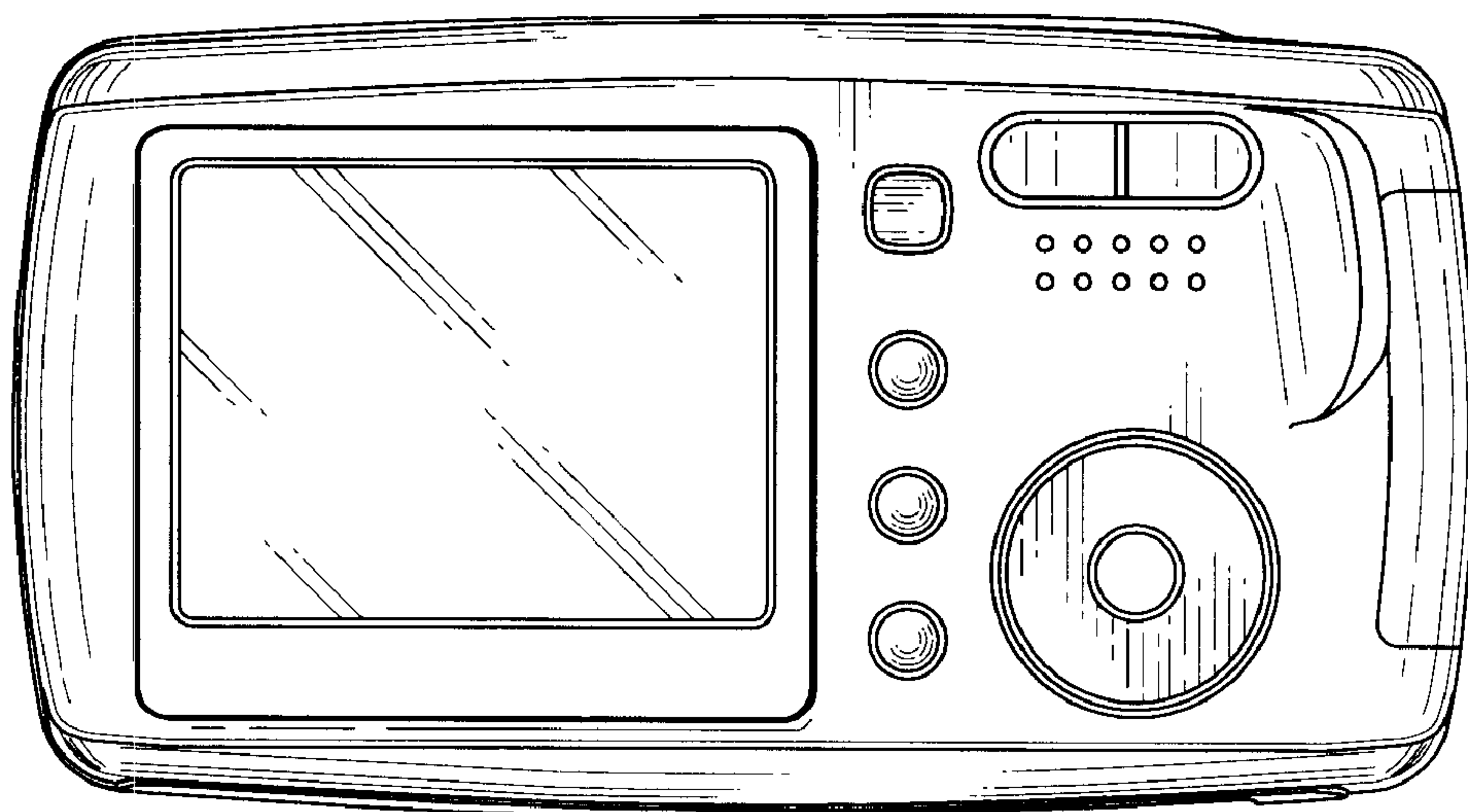


FIG. 4

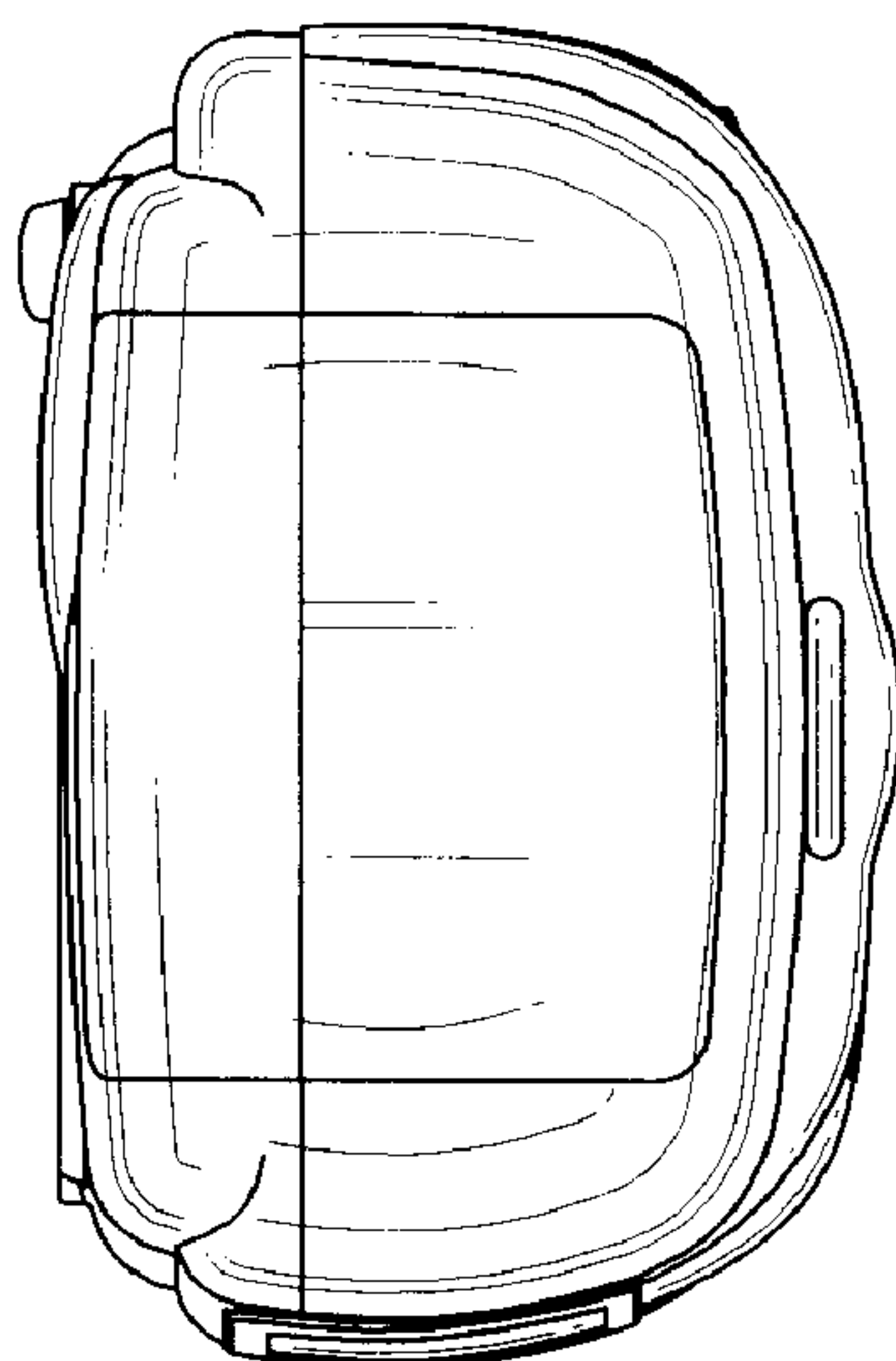


FIG. 5

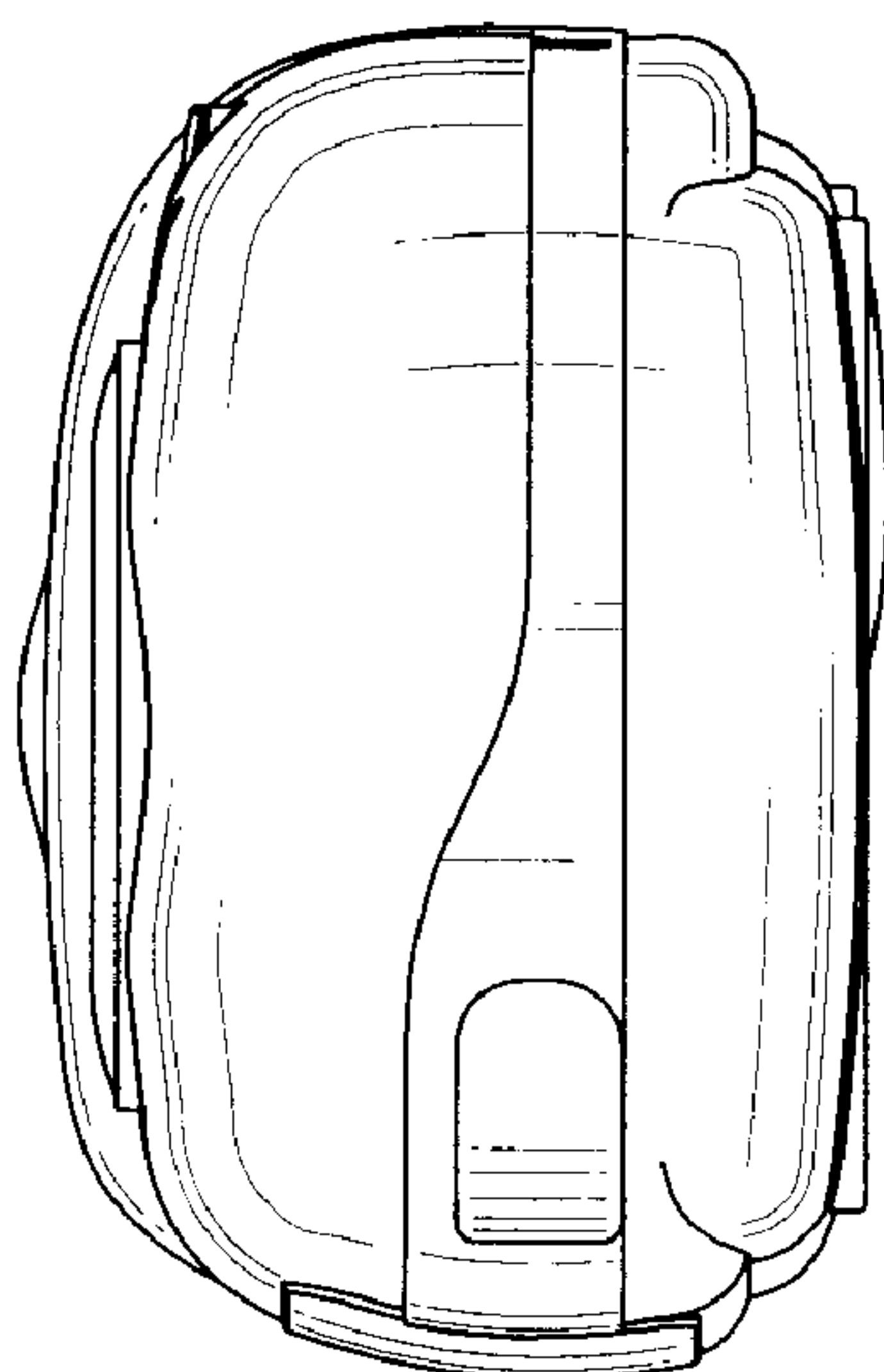


FIG. 6

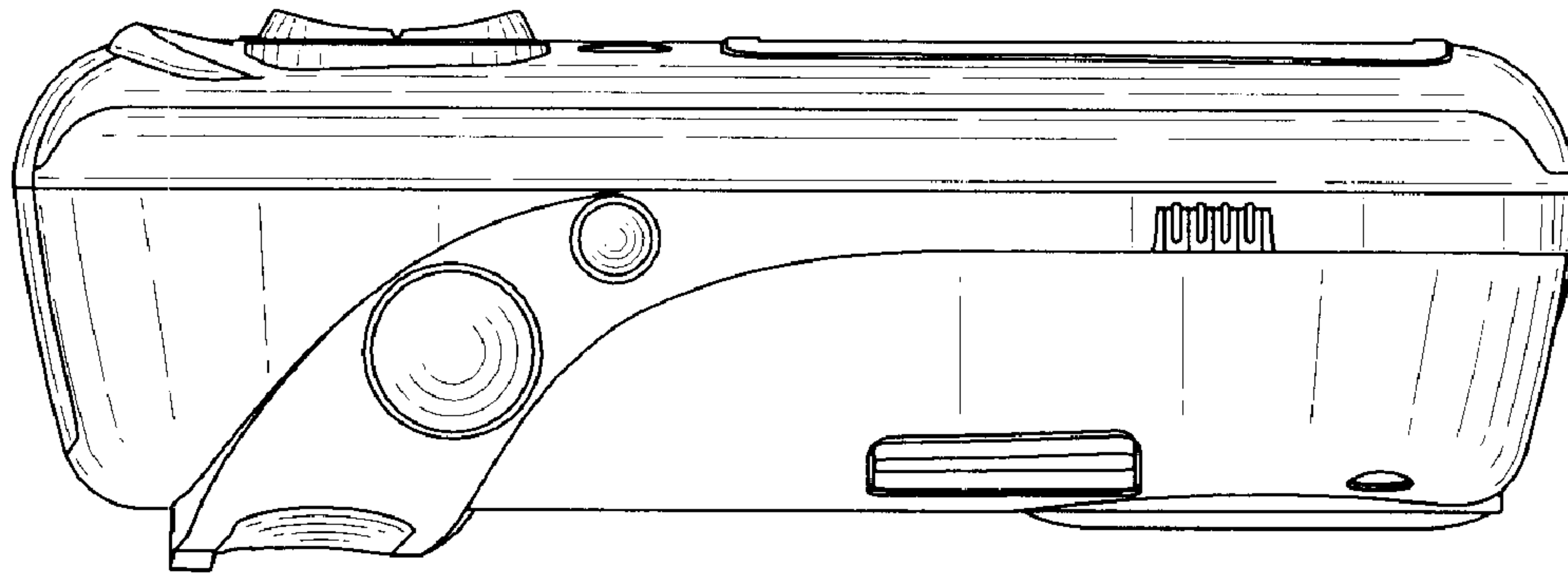


FIG. 7

