

US00D532023S

(12) **United States Design Patent**
Frey

(10) **Patent No.:** **US D532,023 S**

(45) **Date of Patent:** **** Nov. 14, 2006**

(54) **MILLING TOOL**

(75) **Inventor:** **Oskar Frey, Eschenbach (DE)**

(73) **Assignee:** **Nubius Group Praezisionswerkzeuge GmbH, Goepingen (DE)**

(**) **Term:** **14 Years**

(21) **Appl. No.:** **29/252,588**

(22) **Filed:** **Jan. 26, 2006**

Related U.S. Application Data

(62) Division of application No. 29/203,644, filed on Apr. 19, 2004, now Pat. No. Des. 519,533.

(30) **Foreign Application Priority Data**

Oct. 23, 2003 (EM) 0001 02975

(51) **LOC (8) Cl.** **15-09**

(52) **U.S. Cl.** **D15/139**

(58) **Field of Classification Search** D15/139;
407/30-63, 100-120

See application file for complete search history.

(56) **References Cited**

U.S. PATENT DOCUMENTS

2005/0152752 A1 * 7/2005 Tran 407/34

* cited by examiner

Primary Examiner—Antoine D. Davis

(74) *Attorney, Agent, or Firm*—Paul Vincent

(57) **CLAIM**

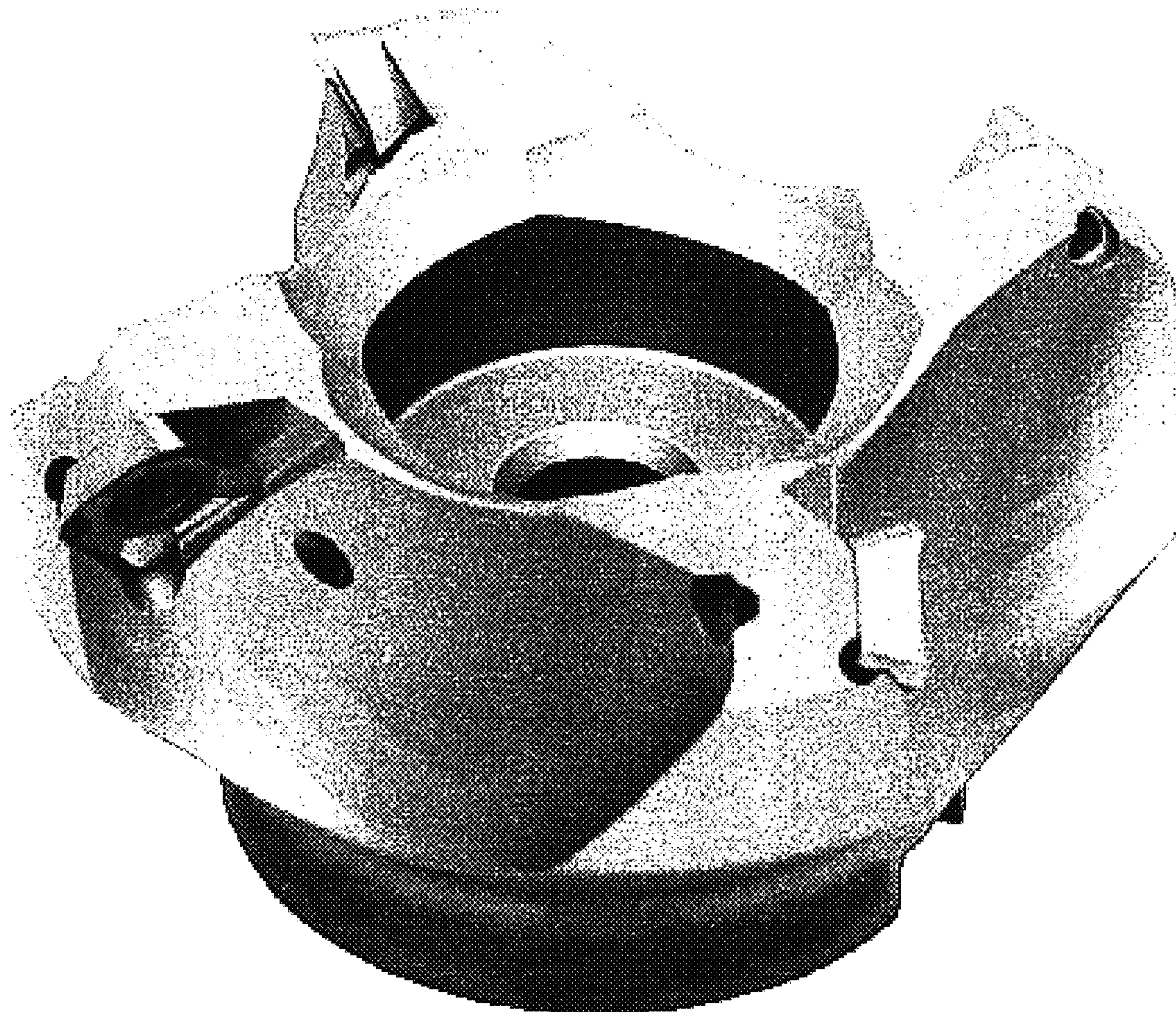
The ornamental design for a milling tool, as shown.

DESCRIPTION

FIG. 1 shows a perspective view of an embodiment of the invention; and,

FIG. 2 shows a top view of the embodiment of the invention.

1 Claim, 1 Drawing Sheet



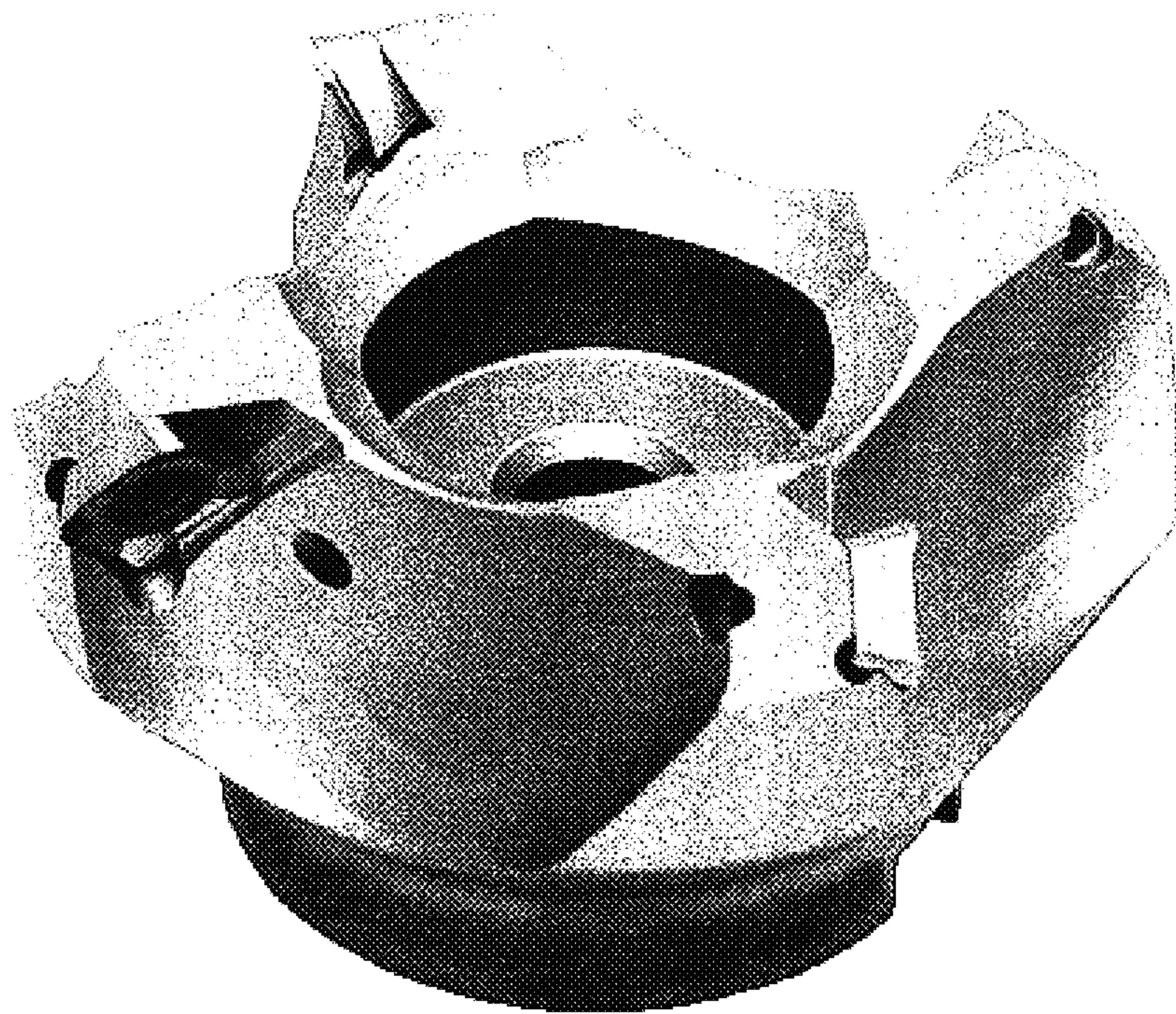


Fig. 1

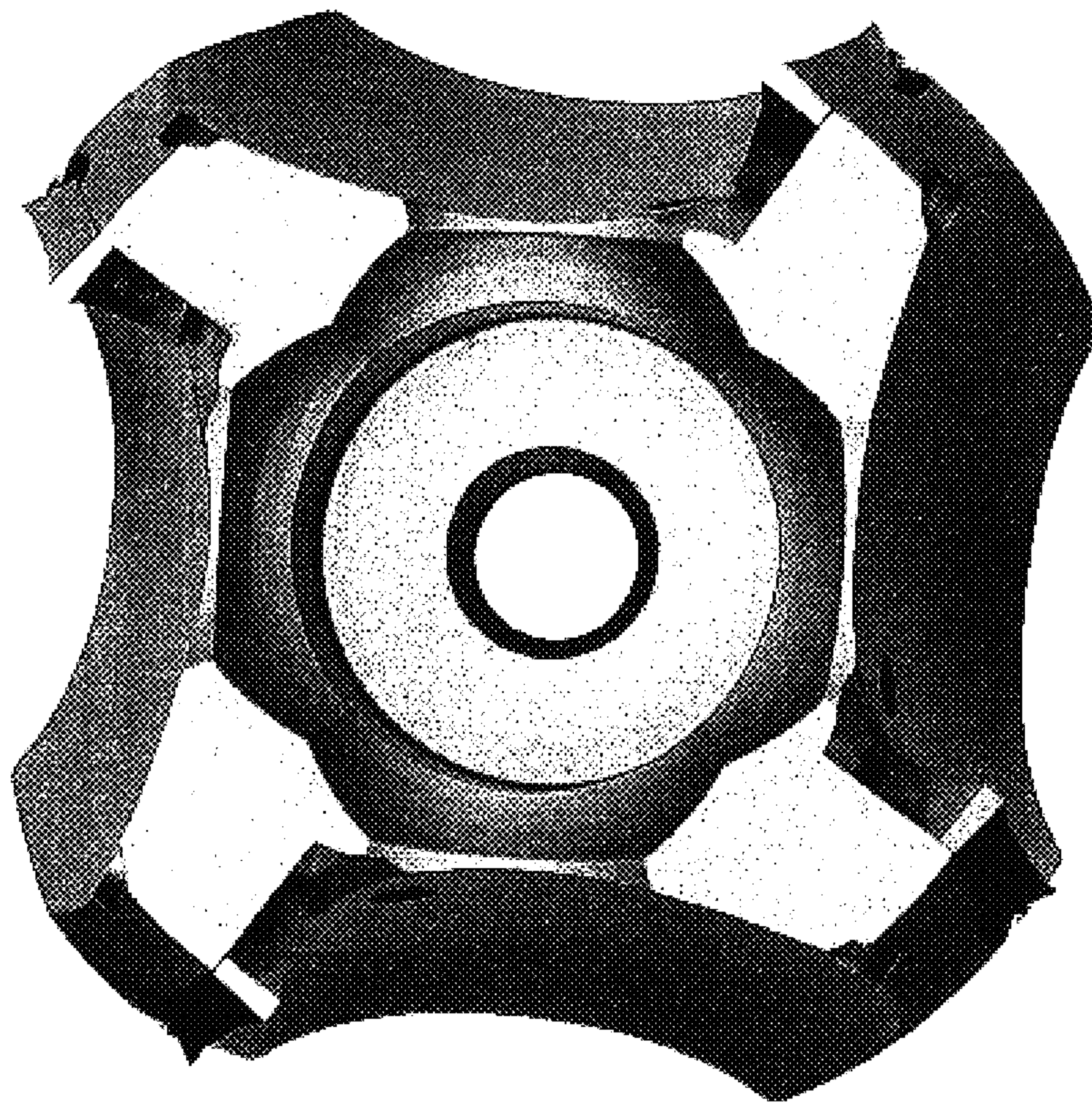


Fig. 2