



US00D532012S

(12) **United States Design Patent**
Voros

(10) **Patent No.:** **US D532,012 S**

(45) **Date of Patent:** **** Nov. 14, 2006**

(54) **KEYBOARD DEVICE FOR COMPUTERS,
ELECTRONIC GAMES, AND THE LIKE**

(76) Inventor: **Daniel Ike Voros**, 3/17 Stanley Avenue,
Mosman, New South Wales 2088 (AU)

(**) Term: **14 Years**

(21) Appl. No.: **29/223,078**

(22) Filed: **Feb. 7, 2005**

(51) **LOC (8) Cl.** **14-02**

(52) **U.S. Cl.** **D14/391**

(58) **Field of Classification Search** D14/391,
D14/392, 396-400, 341-346, 385; D18/1,
D18/2, 7, 11; 178/17 A, 17 C; 200/5 A, 5 R,
200/6 A, 6 R; 235/145 A, 145 R; 341/22,
341/23; 345/160, 167, 168; 400/484-489,
400/492

See application file for complete search history.

(56) **References Cited**

U.S. PATENT DOCUMENTS

D389,814 S * 1/1998 Iwamoto et al. D14/345

D448,770 S * 10/2001 Morimiya D14/385

D498,475 S * 11/2004 Byun D14/346

D500,317 S * 12/2004 Robinson et al. D14/346

* cited by examiner

Primary Examiner—Freda S. Nunn

(74) *Attorney, Agent, or Firm*—Shalom Wertsberger;
Saltamar Innovations

(57) **CLAIM**

The ornamental design for a keyboard device for computers,
electronic games, and the like, as shown and described.

DESCRIPTION

FIG. 1 is a perspective view of the keyboard device.

FIG. 2 is a perspective view of the keyboard device, showing
an optional palm rest.

FIG. 3 is a bottom view of the keyboard device.

FIG. 4 is a bottom view of the keyboard device, showing an
optional palm rest.

FIG. 5 is a bottom view of the keyboard device, showing an
optional palm rest.

FIG. 6 is a front view of the keyboard device.

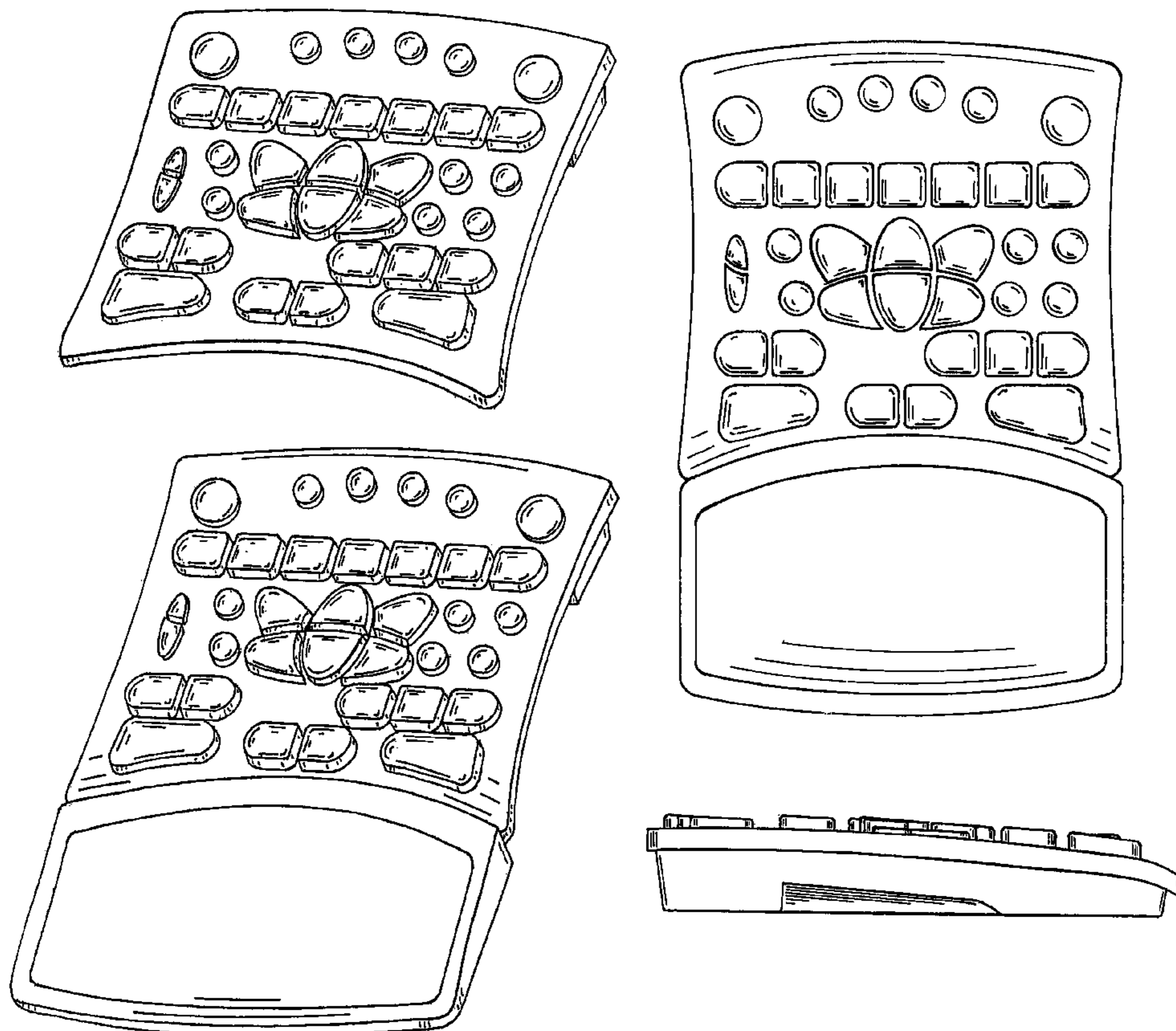
FIG. 7 is a front view of the keyboard device, showing an
optional palm rest.

FIG. 8 is a side view of the keyboard device; and,

FIG. 9 is a side view of the keyboard device, showing an
optional palm rest.

Some figures show the keyboard device with an optional
palm rest. Another optional feature shown in FIG. 5 repre-
sents light emanating from the keyboard device.

1 Claim, 5 Drawing Sheets



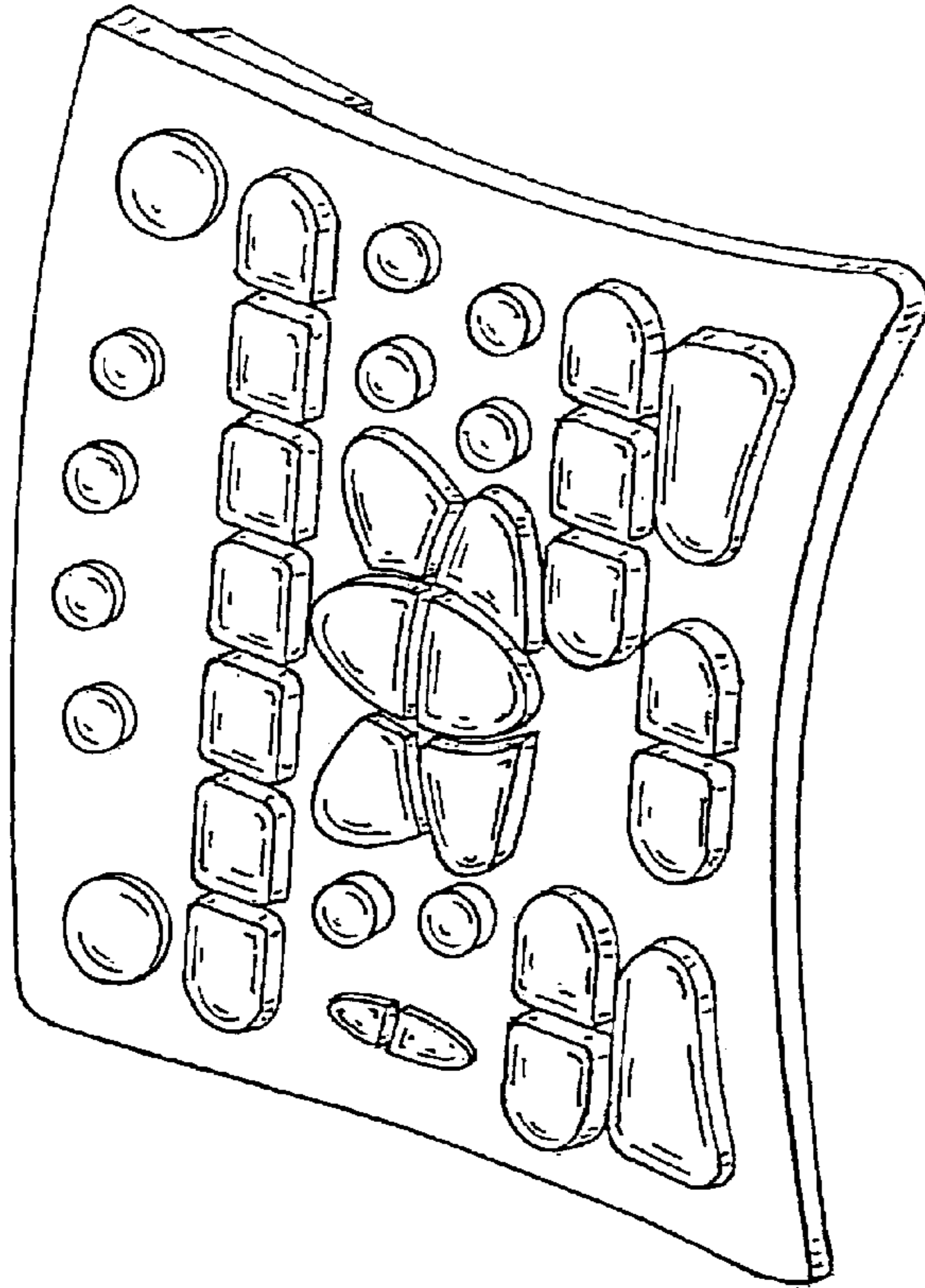


FIG. 1

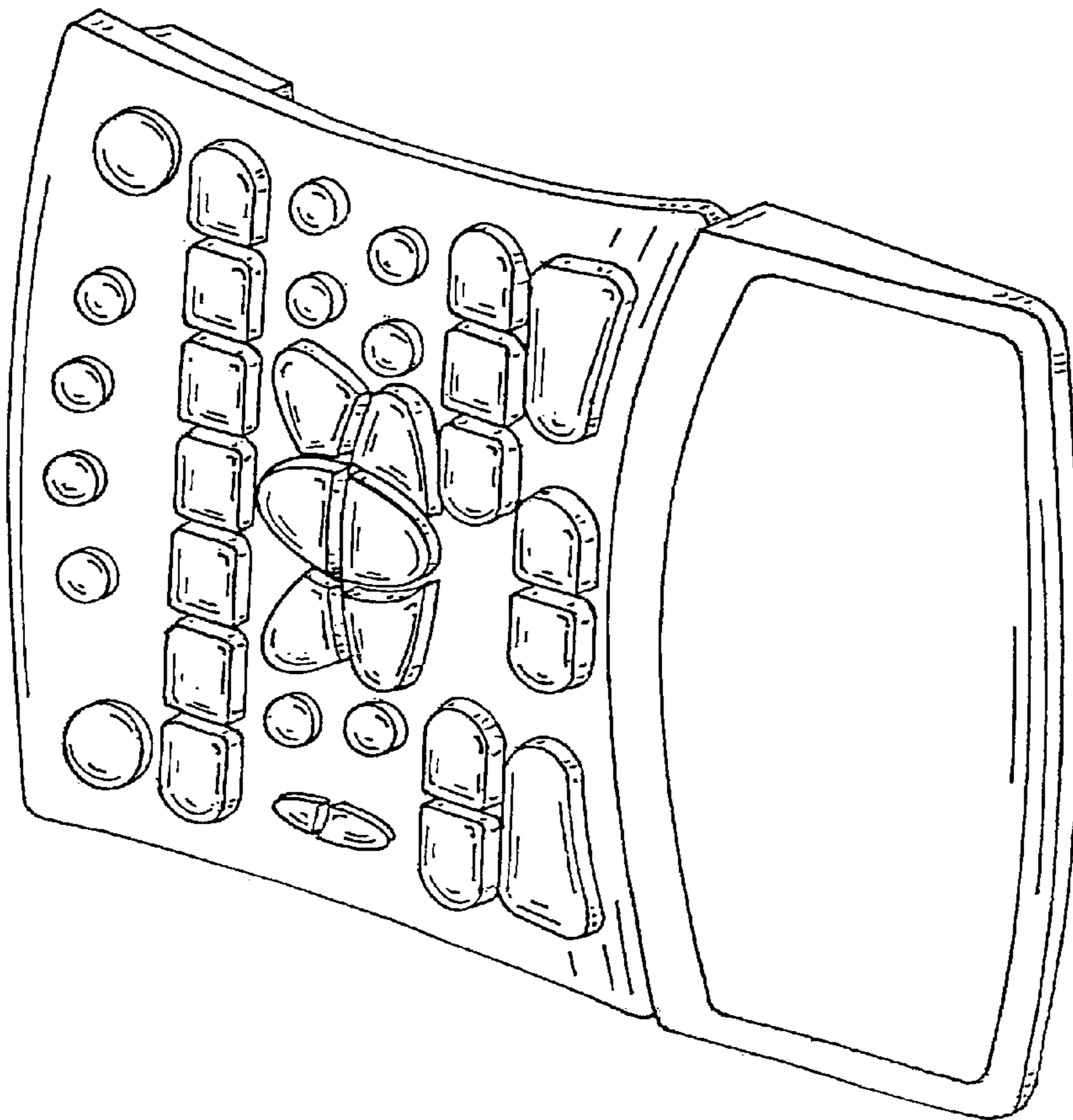


FIG. 2

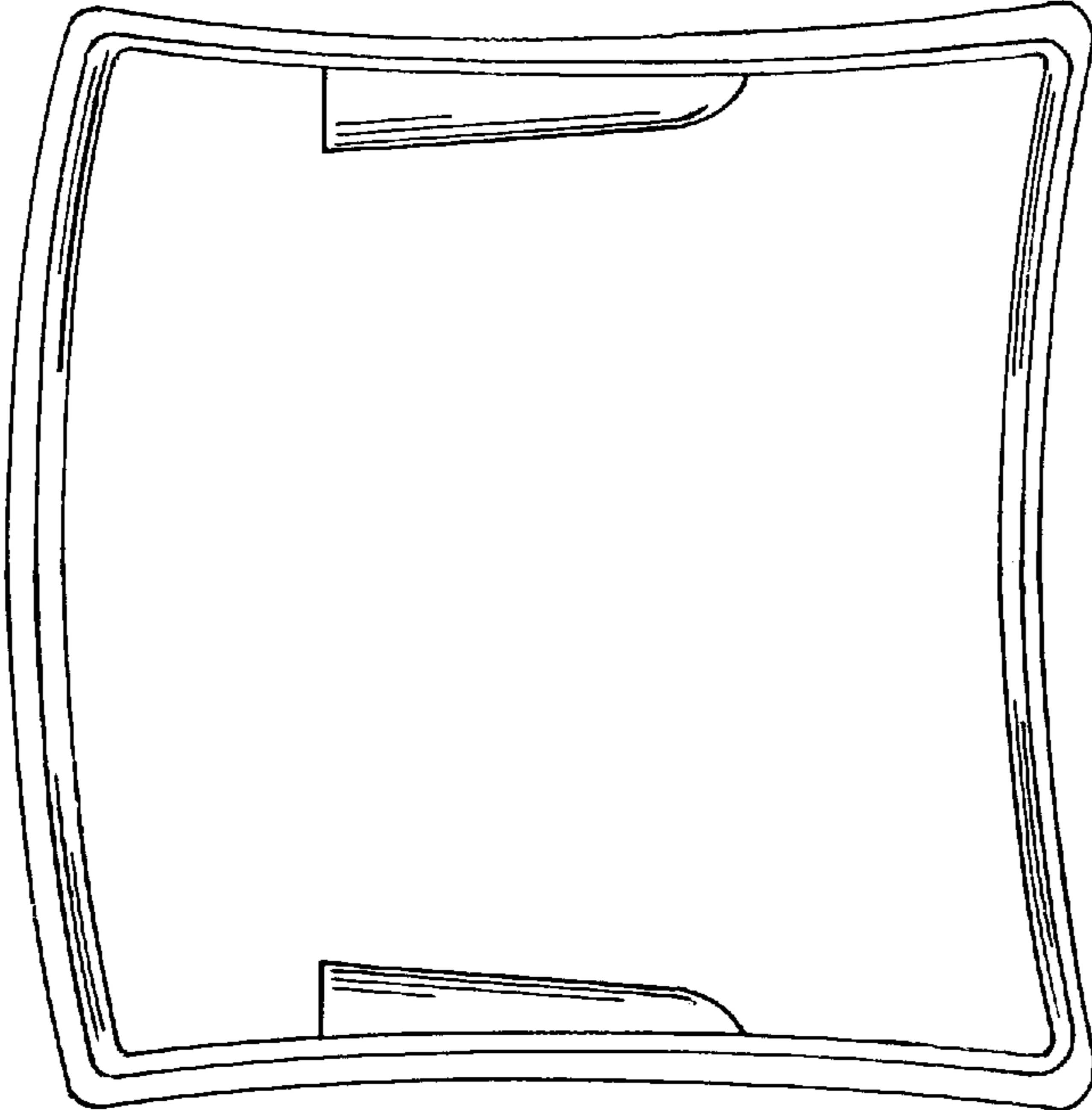


FIG. 3

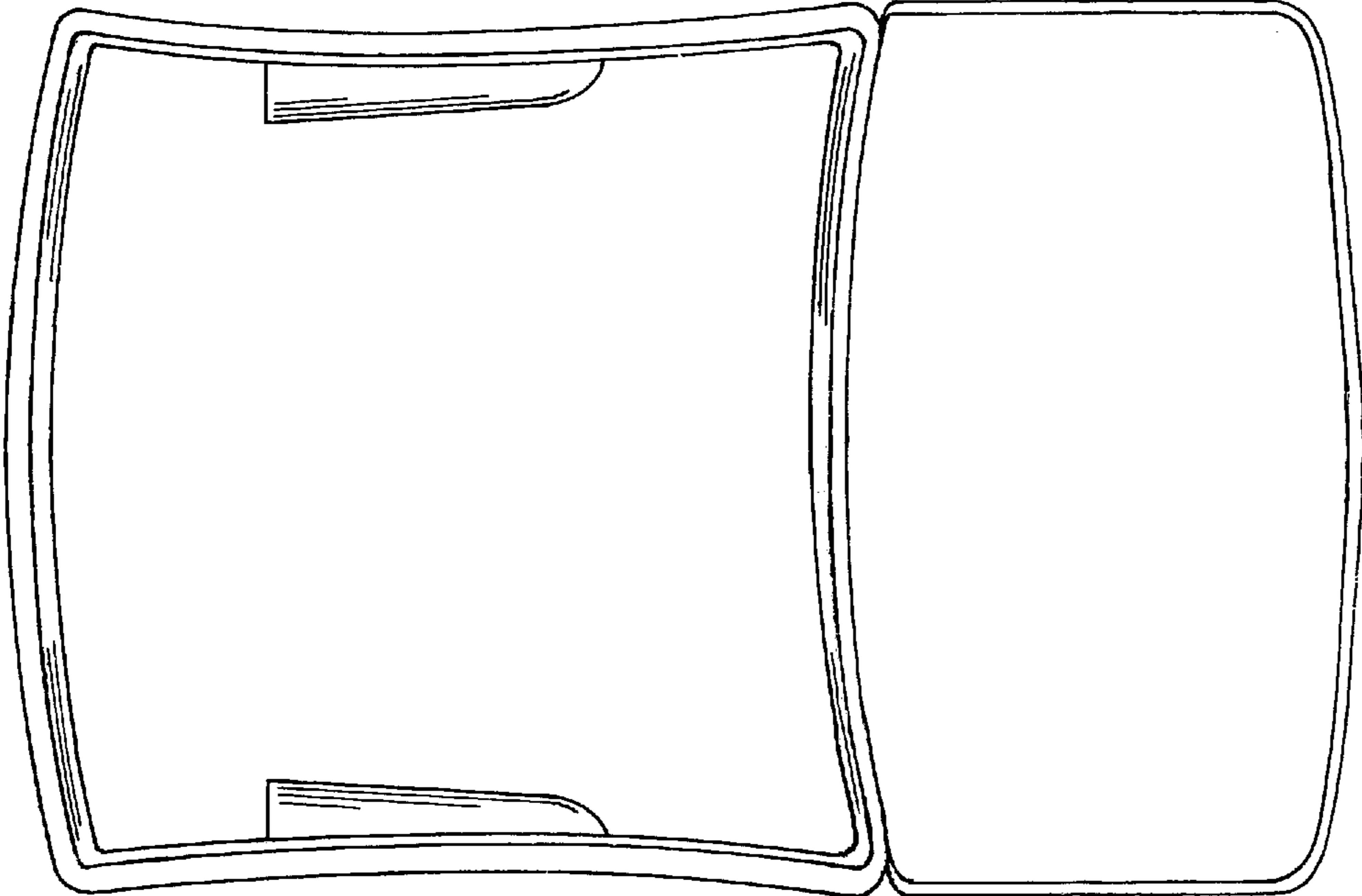


FIG. 4

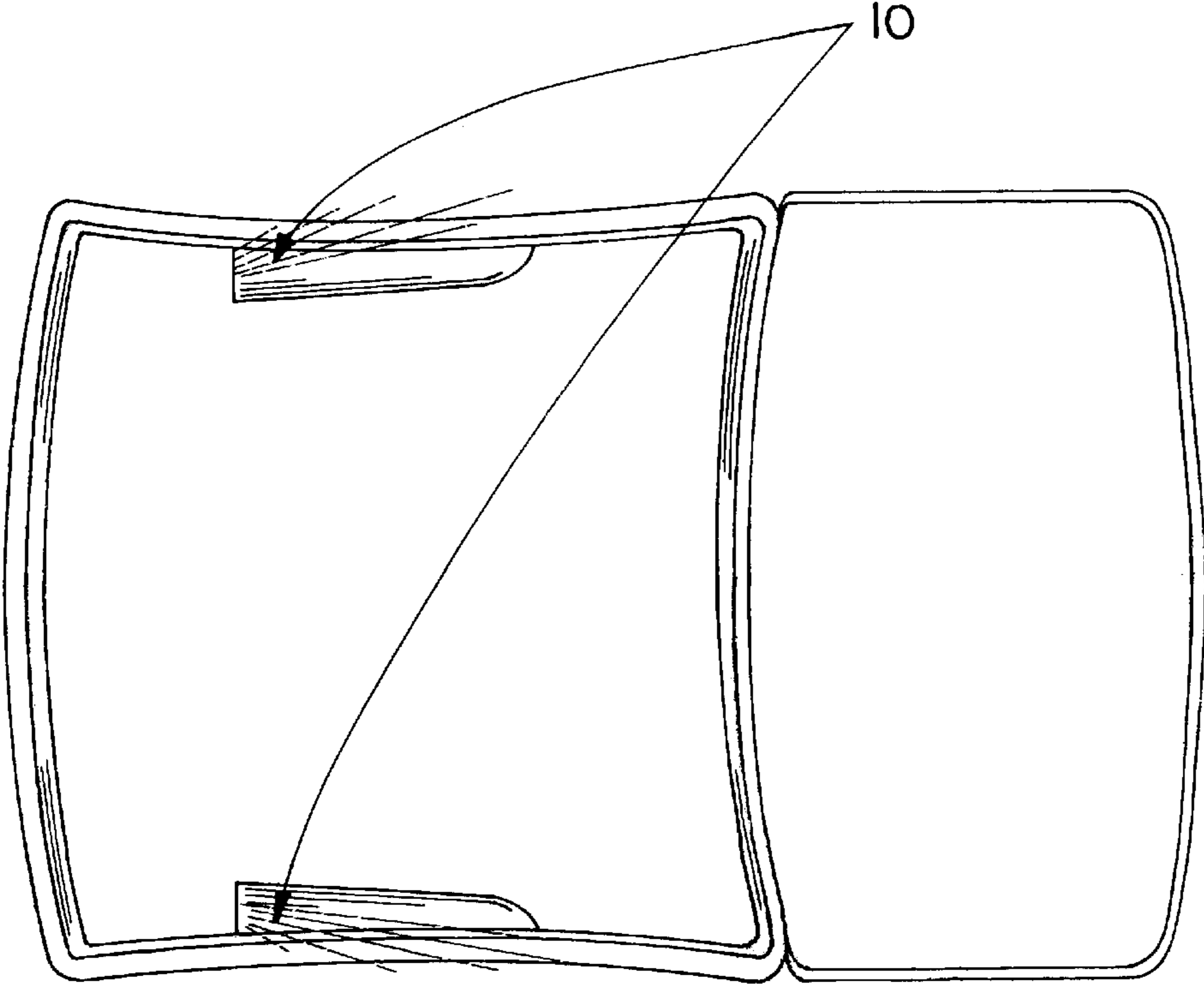


FIG. 5

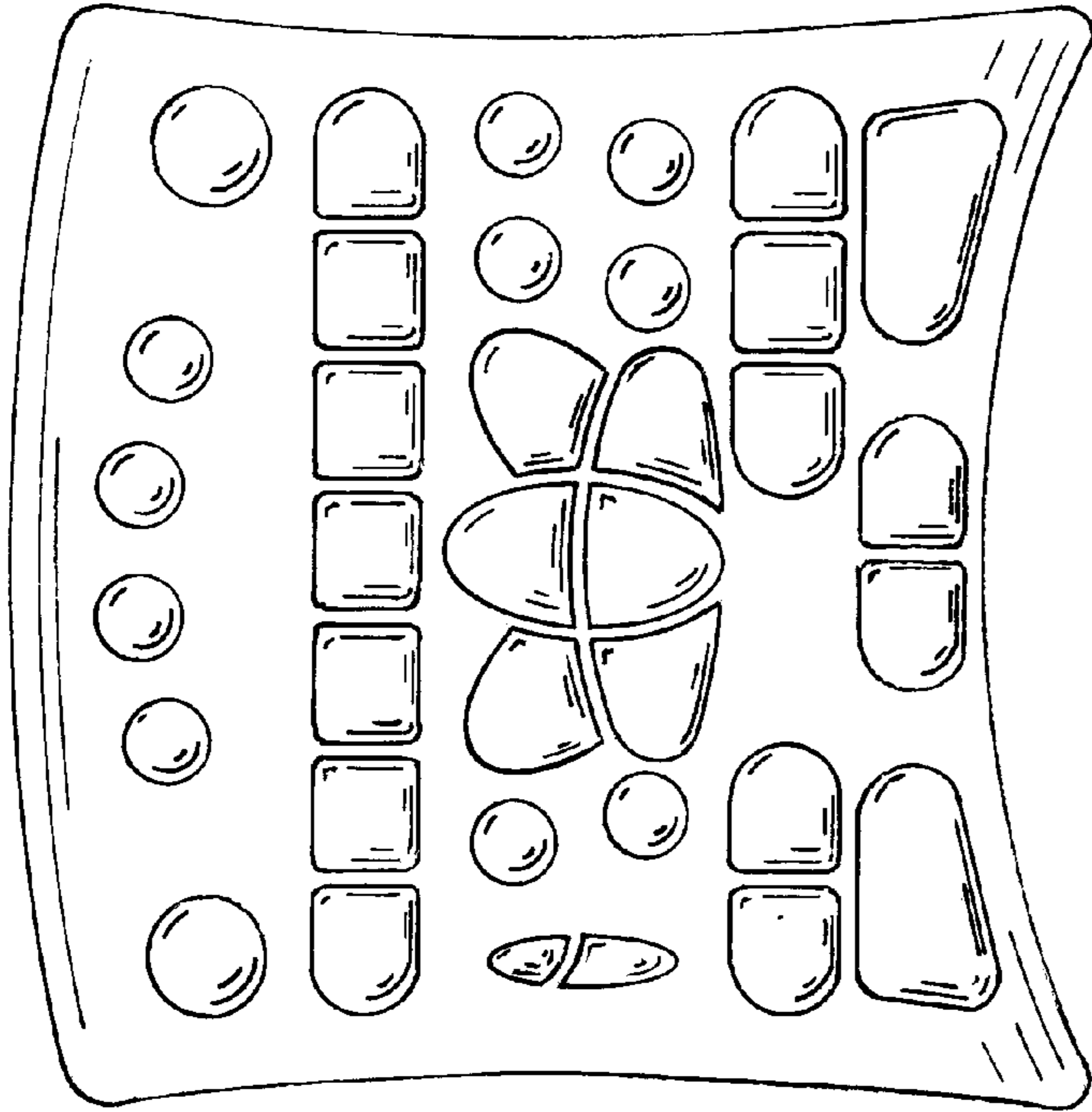


FIG. 6

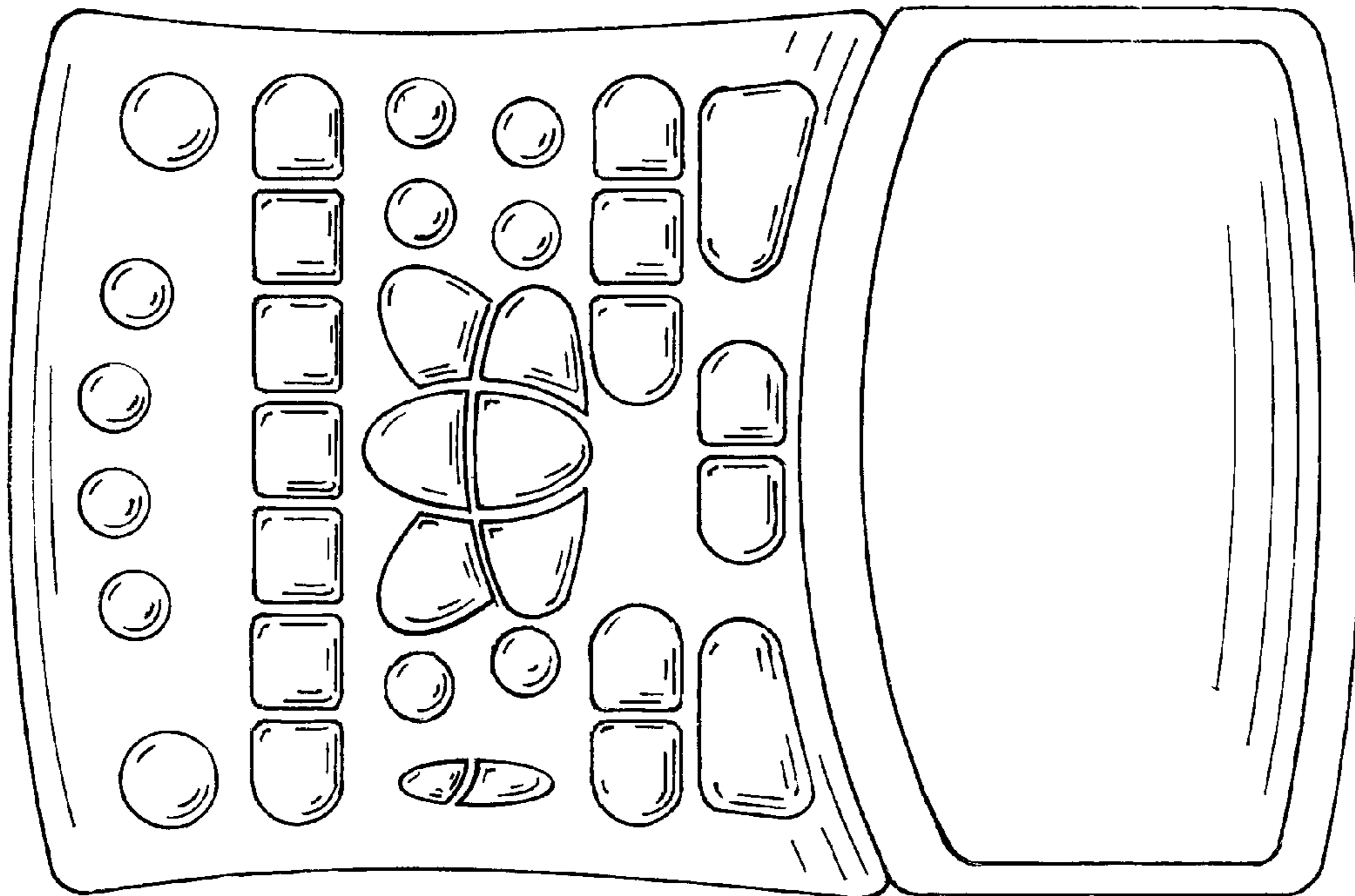


FIG. 7

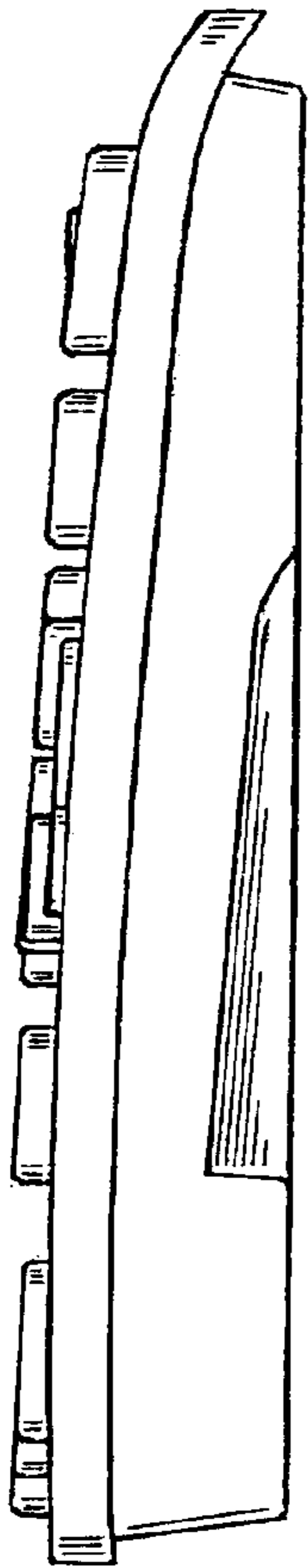


FIG. 8

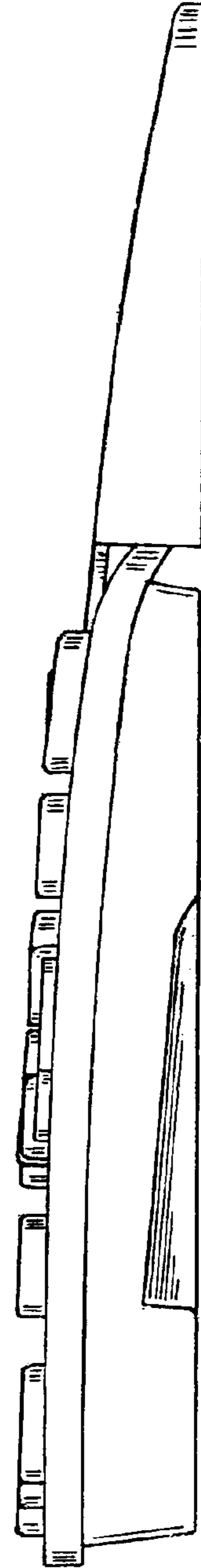


FIG. 9