



US00D532009S

(12) **United States Design Patent**
Zank et al.

(10) **Patent No.: US D532,009 S**
(45) **Date of Patent: ** Nov. 14, 2006**

(54) **INTEGRATED SIGNATURE PAD AND FINGERPRINT READER**

(75) Inventors: **Anthony E. Zank**, Simi Valley, CA (US); **Bruce Odessky**, Pasadena, CA (US)

(73) Assignee: **Topaz Systems, Inc.**, Simi Valley, CA (US)

(**) Term: **14 Years**

(21) Appl. No.: **29/242,273**

(22) Filed: **Nov. 7, 2005**

(51) **LOC (8) Cl.** **14-02**

(52) **U.S. Cl.** **D14/342; D14/384**

(58) **Field of Classification Search** D14/341-346, D14/383-387; D18/4.4, 4.6, 6, 7; 382/115, 382/116, 119, 124, 126; 356/71; 235/382, 235/382.5

See application file for complete search history.

(56) **References Cited**

U.S. PATENT DOCUMENTS

D307,134 S	*	4/1990	Makidera	D14/342
5,546,471 A	*	8/1996	Merjanian	382/124
5,920,642 A	*	7/1999	Merjanian	382/126
D424,533 S	*	5/2000	Kandalepas	D14/342
D443,614 S	*	6/2001	Do et al.	D14/345
D451,509 S	*	12/2001	Liston et al.	D14/385

6,327,376 B1	*	12/2001	Harkin	382/124
D470,170 S	*	2/2003	Cheng	D18/4.6
6,941,001 B1	*	9/2005	Bolle et al.	382/124
2005/0074147 A1	*	4/2005	Smith et al.	382/115

* cited by examiner

Primary Examiner—Freda S. Nunn

(74) *Attorney, Agent, or Firm*—Denton L. Anderson; Sheldon & Mak PC

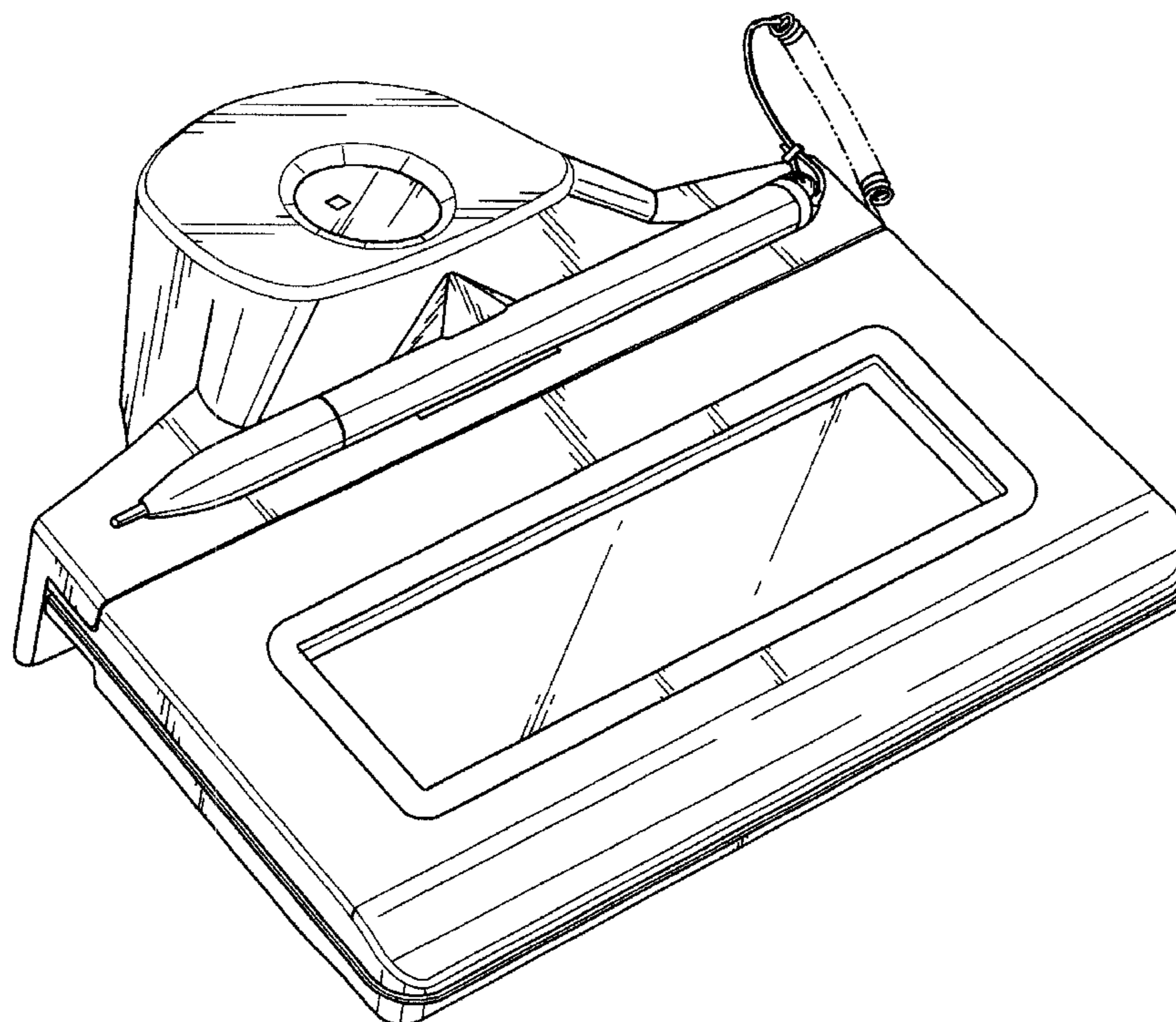
(57) **CLAIM**

The ornamental design for an integrated signature pad and fingerprint reader, as shown and described.

DESCRIPTION

FIG. 1 is a perspective view of the integrated signature pad and fingerprint reader; FIG. 2 is a front view of the integrated signature pad and fingerprint reader illustrated in FIG. 1; FIG. 3 is a plan view of the integrated signature pad and fingerprint reader illustrated in FIG. 1; FIG. 4 is a back view of the integrated signature pad and fingerprint reader illustrated in FIG. 1; FIG. 5 is a first side view of the integrated signature pad and fingerprint reader illustrated in FIG. 1; FIG. 6 is a second side view of the integrated signature pad and fingerprint reader illustrated in FIG. 1; and, FIG. 7 is a bottom view of the integrated signature pad and fingerprint reader illustrated in FIG. 1.

1 Claim, 4 Drawing Sheets



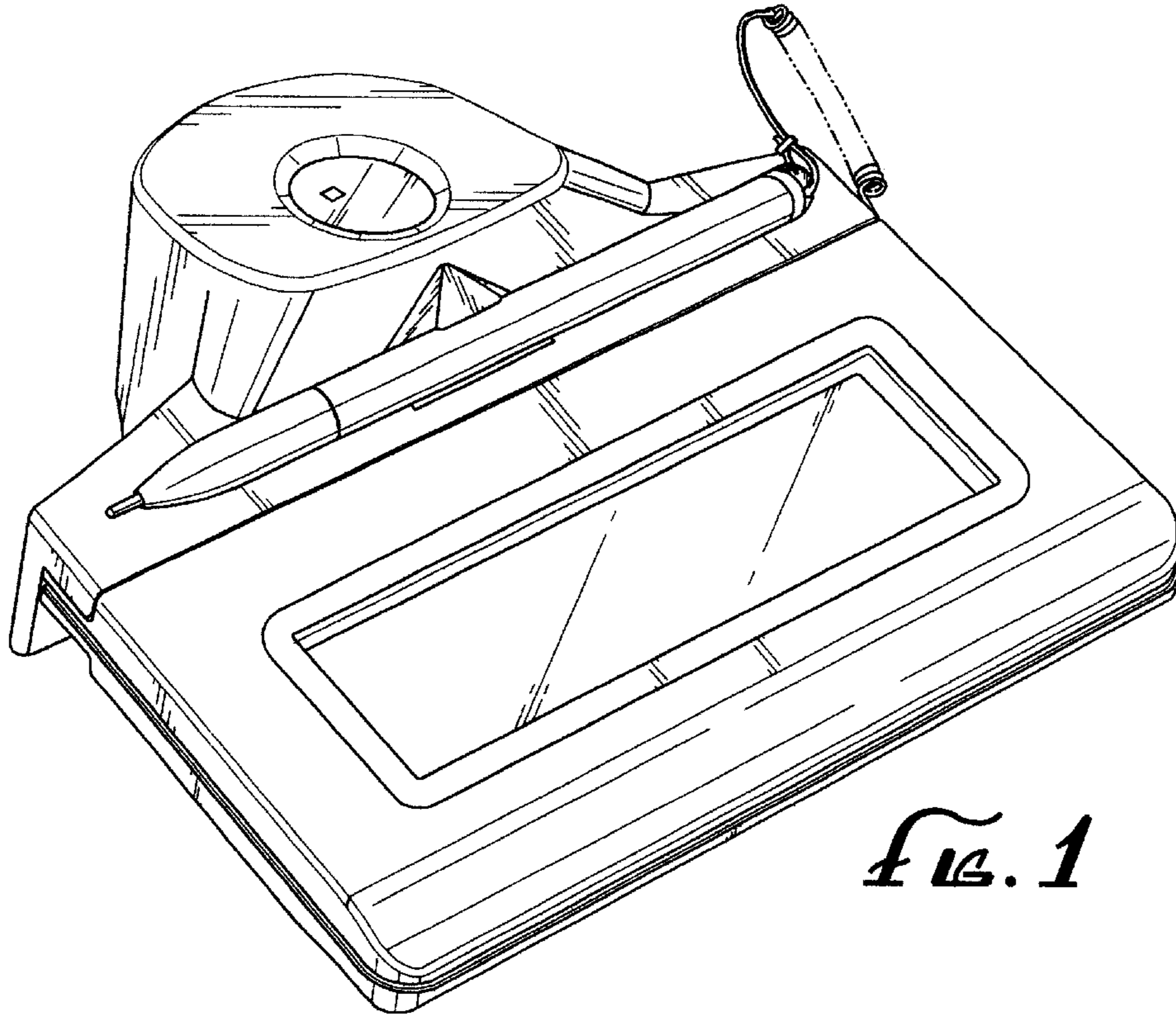


FIG. 1

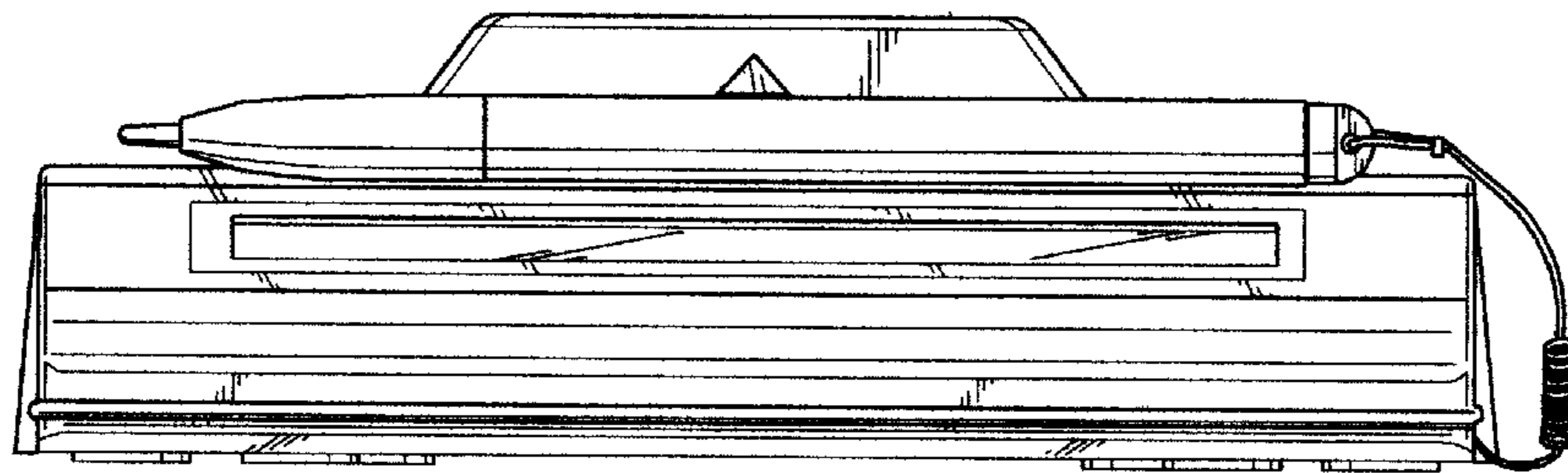


FIG. 2

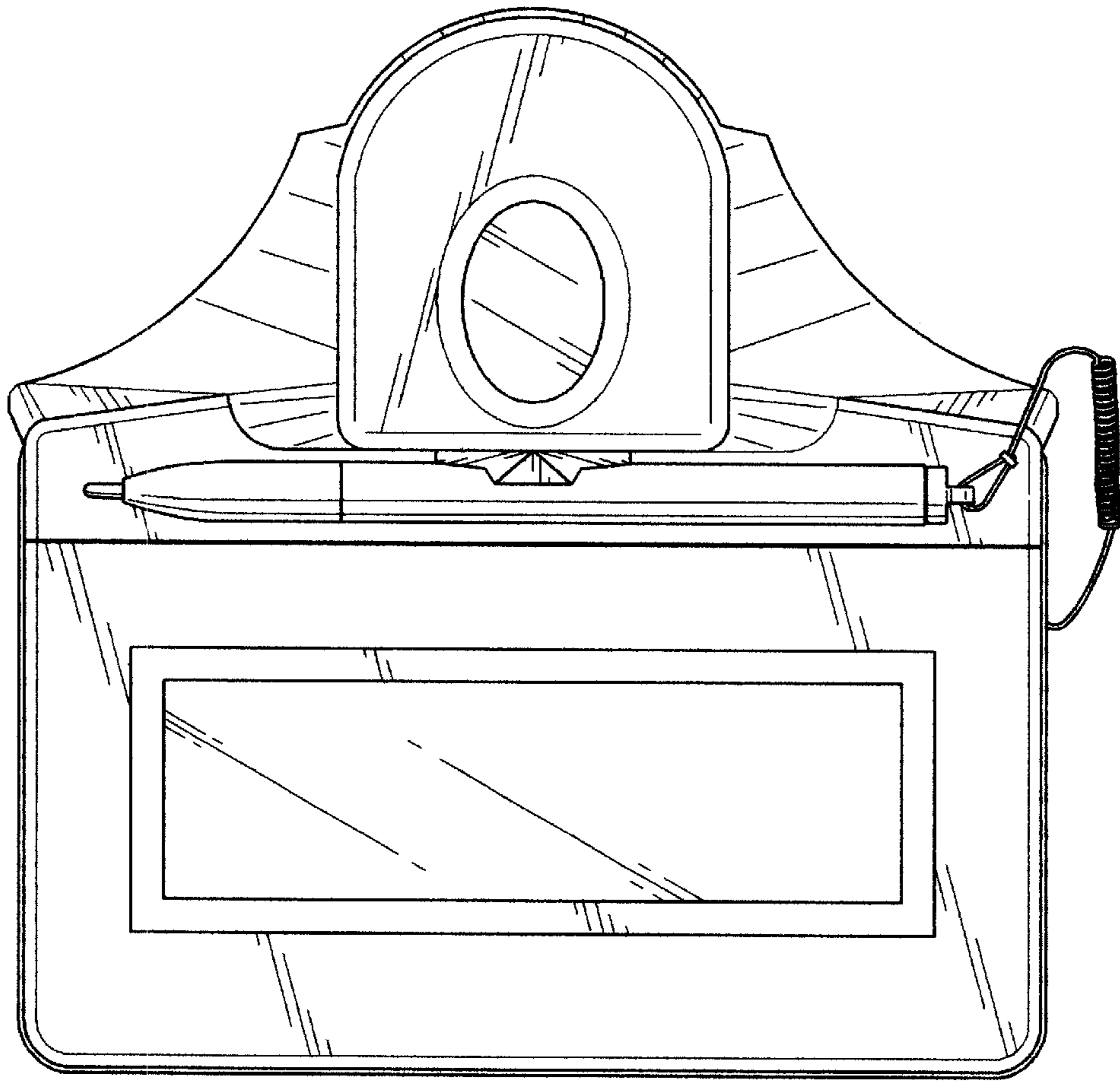


FIG. 3

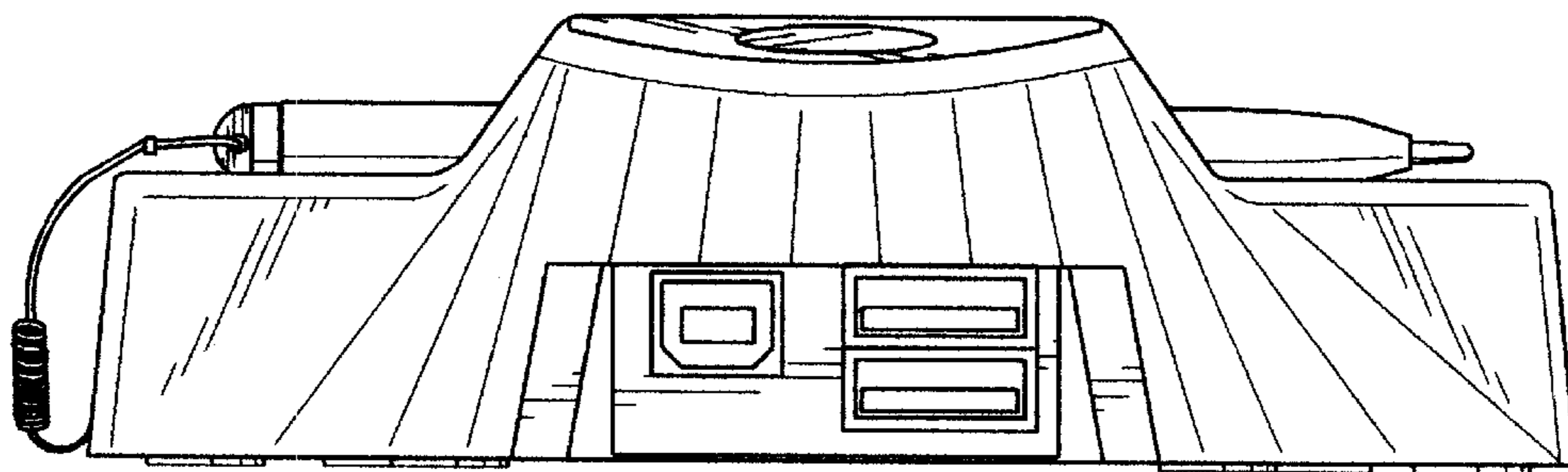


FIG. 4

FIG. 5

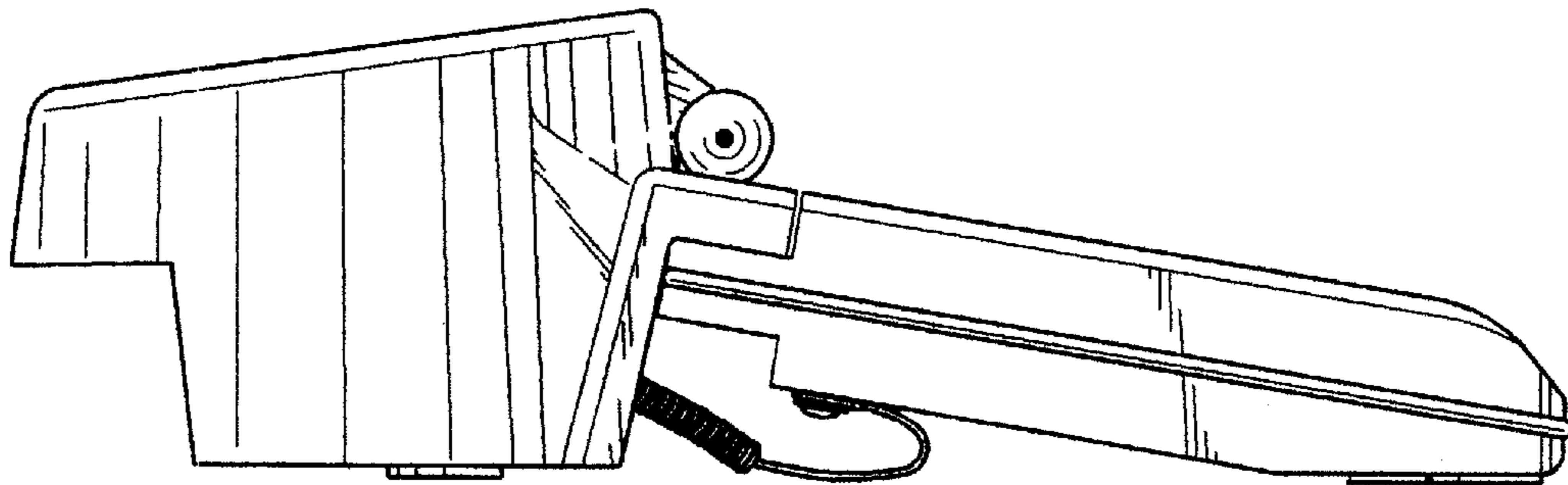
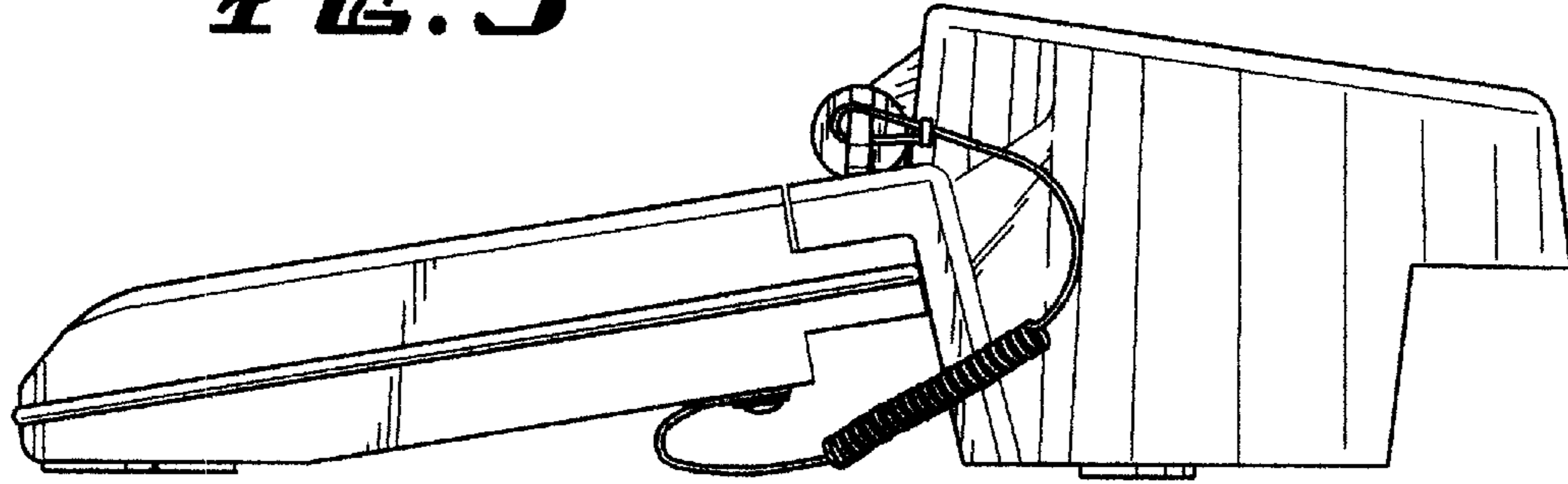


FIG. 6

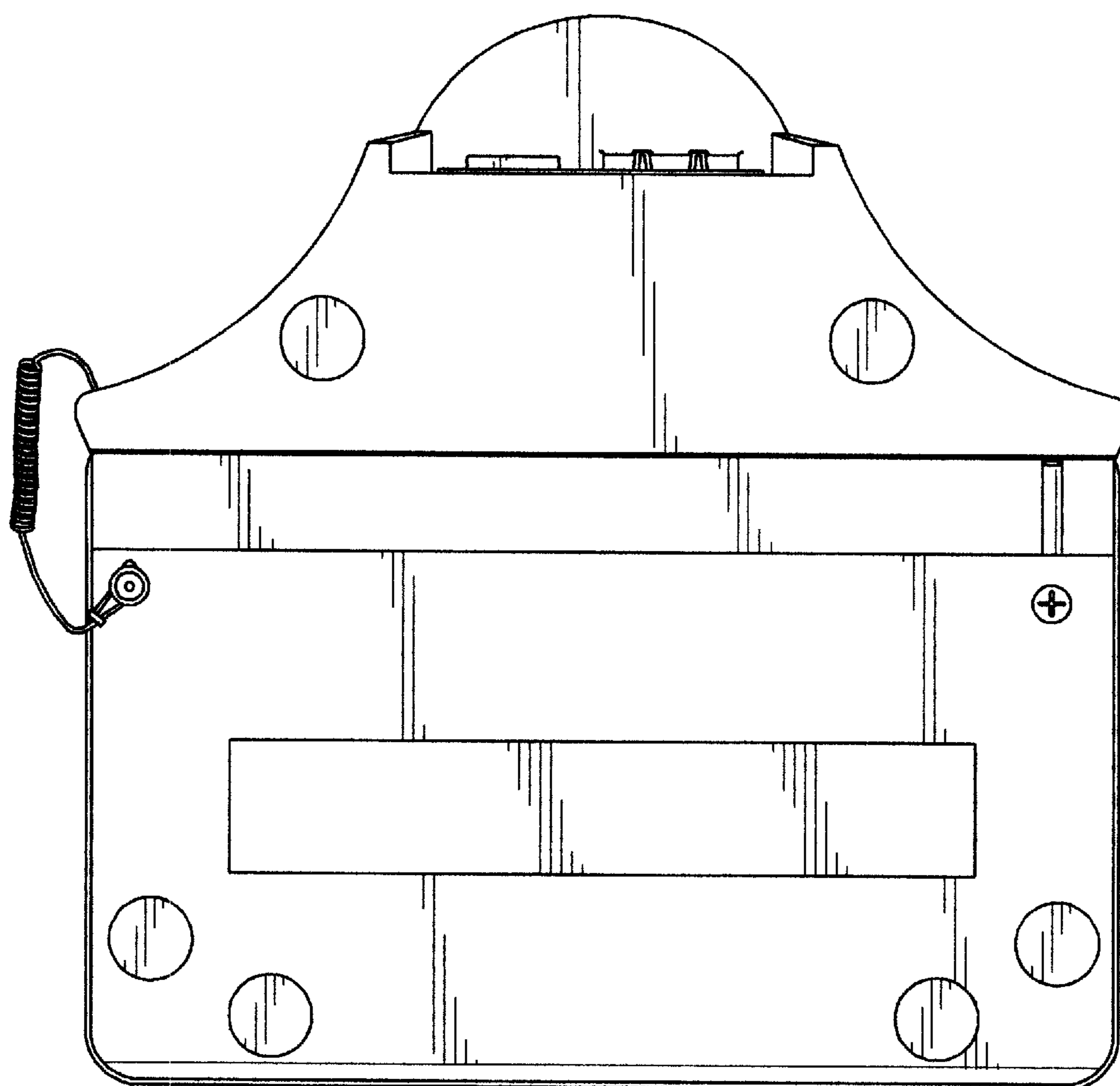


FIG. 7