



US00D532008S

(12) **United States Design Patent**
Solomon et al.

(10) **Patent No.:** **US D532,008 S**

(45) **Date of Patent:** **** Nov. 14, 2006**

(54) **PORTABLE ELECTRONIC DEVICE**

D504,129 S * 4/2005 Loew et al. D14/318

(75) Inventors: **Mark C. Solomon**, Corvallis, OR (US);
Jonathan R. Harris, Cypress, TX
(US); **Kevin L. Massaro**, Houston, TX
(US)

* cited by examiner

Primary Examiner—Freda S. Nunn

(73) Assignee: **Hewlett-Packard Development
Company, L.P.**, Houston, TX (US)

(57) **CLAIM**

The ornamental design for a portable electronic device, as shown and described.

(**) Term: **14 Years**

DESCRIPTION

(21) Appl. No.: **29/241,711**

It will be appreciated that a “portable electronic device” includes any portable electronic device, such as portable computer, notebook computer, personal digital assistant, tablet personal computer, laptop computer, and the like.

(22) Filed: **Oct. 31, 2005**

(51) **LOC (8) Cl.** **14-02**

(52) **U.S. Cl.** **D14/327**

(58) **Field of Classification Search** D14/315–328,
D14/345; D18/1, 2, 7, 11; 235/145 A, 145 R;
341/22, 23; 345/156, 168, 169, 172, 173,
345/87; 361/680–686, 690–695; 400/486,
400/489; D19/60

FIG. 1 is a top view of a portable electronic device with the display panel open;

FIG. 2 is a bottom view of the portable electronic device of FIG. 1 with the display panel open;

FIG. 3 is a front view of the portable electronic device of FIG. 1 with the display panel closed and the screen facing up;

See application file for complete search history.

FIG. 4 is a left side view of the portable electronic device of FIG. 1 with the display panel closed and the screen facing up;

(56) **References Cited**

U.S. PATENT DOCUMENTS

- D310,071 S * 8/1990 Kit D14/315
- D319,819 S * 9/1991 Kawaguchi D14/327
- 5,103,376 A * 4/1992 Blonder 361/681
- D358,171 S * 5/1995 Cheng D19/60
- D387,383 S * 12/1997 Chan D19/60
- D426,574 S * 6/2000 Chan D14/318
- D439,897 S * 4/2001 Williams et al. D14/345
- D494,220 S * 8/2004 Yu D19/60
- D504,128 S * 4/2005 Maskatia D14/318

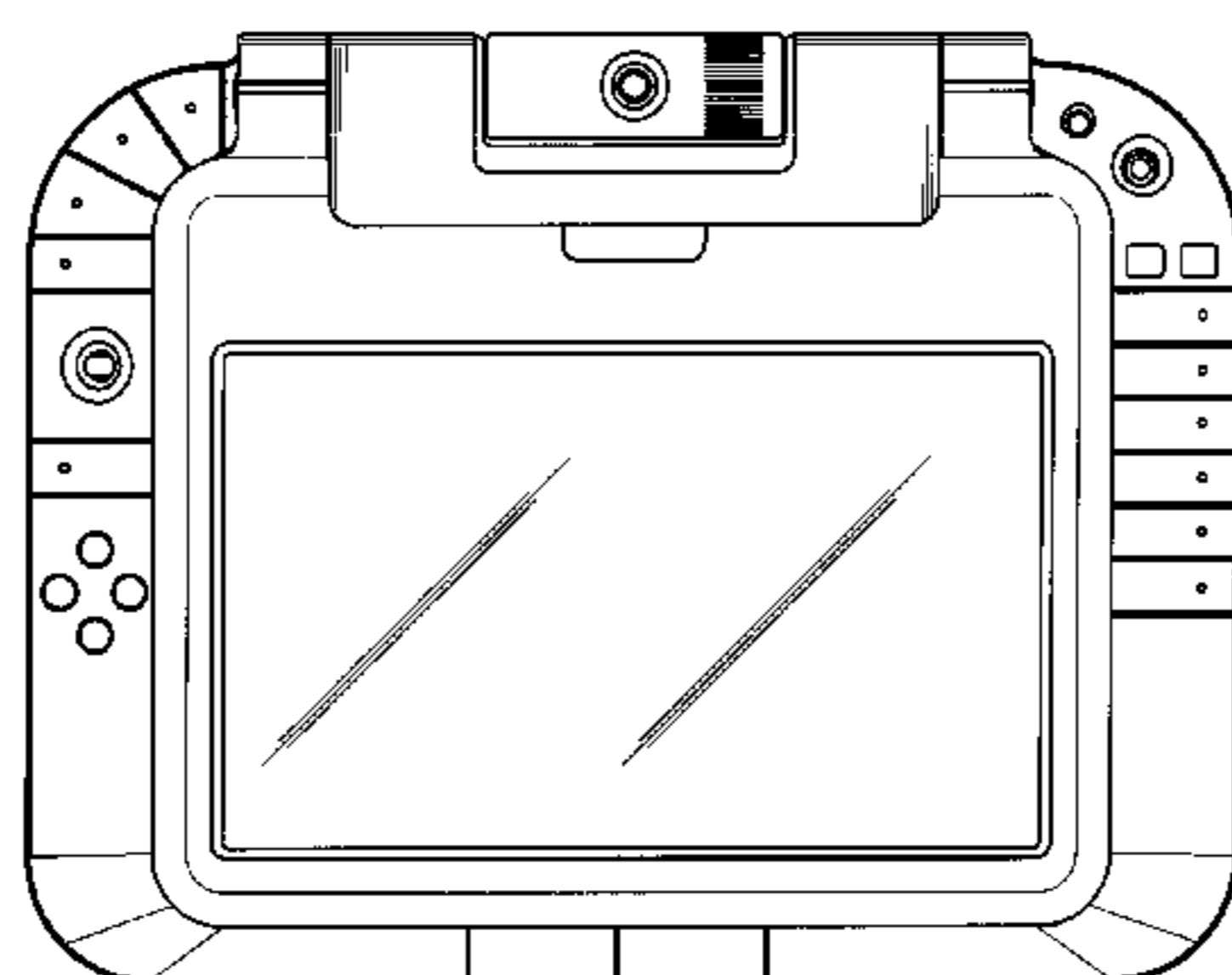
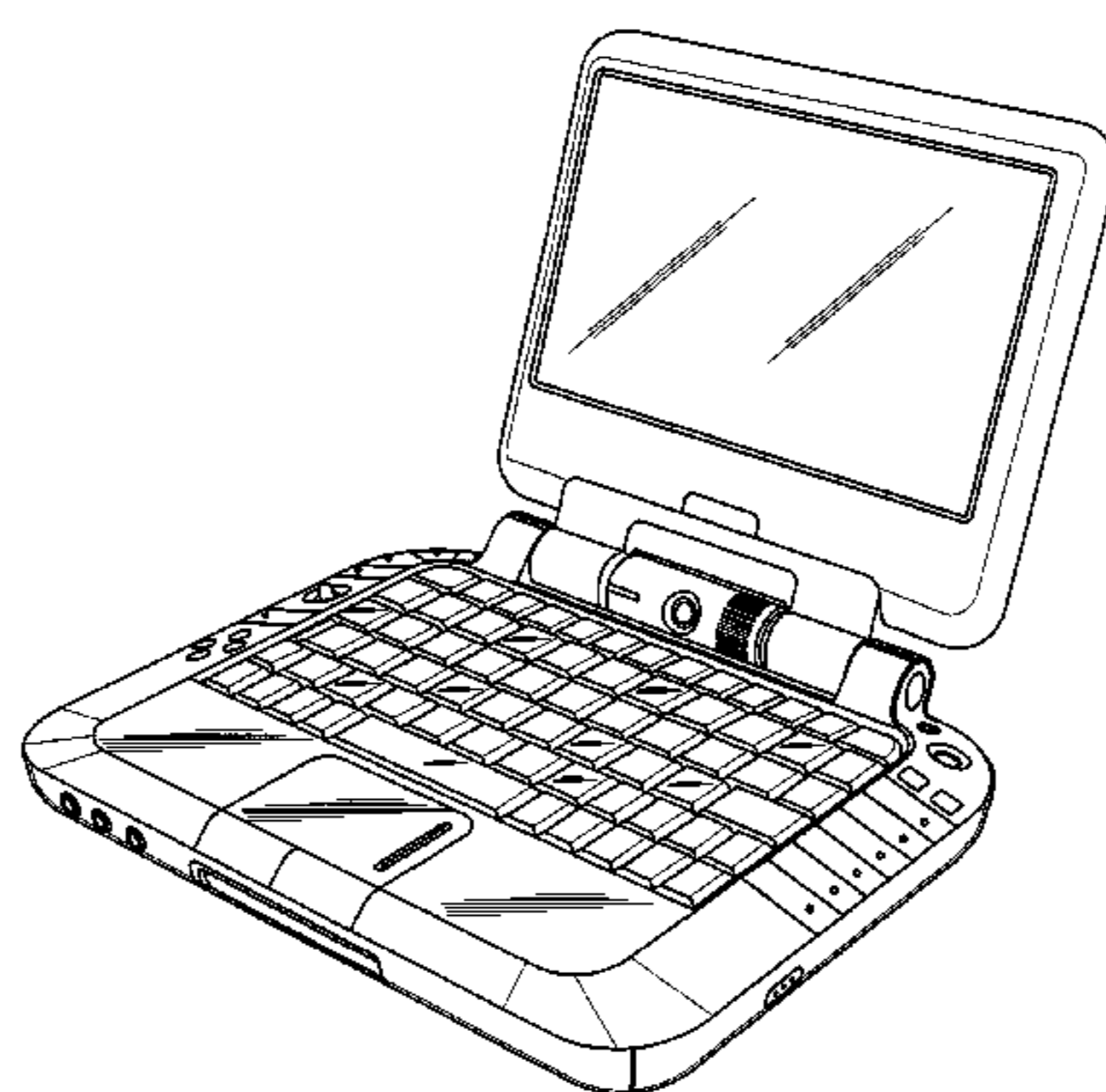
FIG. 5 is a right side view of the portable electronic device of FIG. 1 with the display panel closed and the screen facing up;

FIG. 6 is a rear view of the portable electronic device of FIG. 1 with the display panel closed and the screen facing up;

FIG. 7 is a perspective view of the portable electronic device of FIG. 1 with the display panel open; and,

FIG. 8 is a top view of the portable electronic device of FIG. 1 with the display panel in closed and the screen facing up.

1 Claim, 6 Drawing Sheets



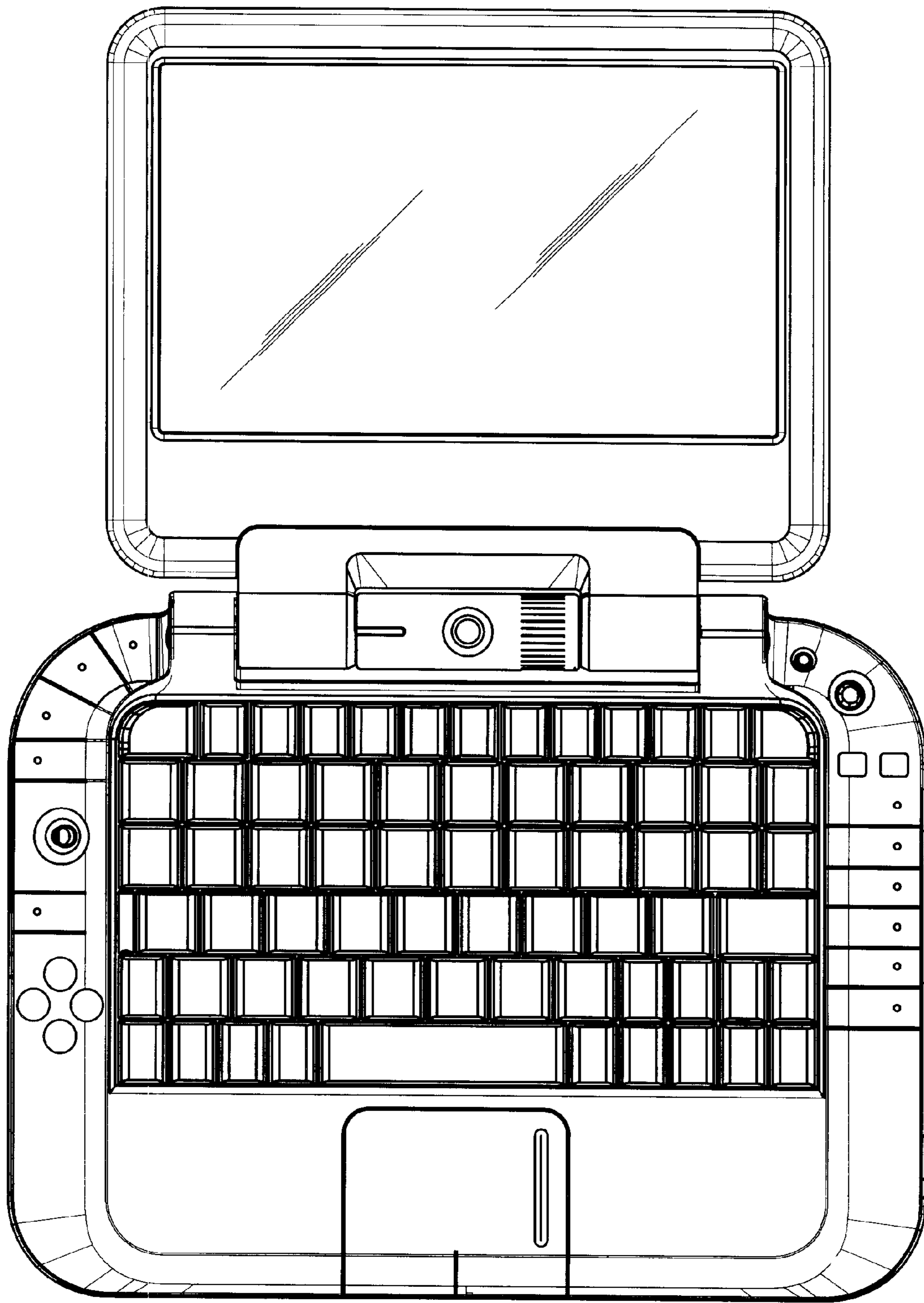


FIG. 1

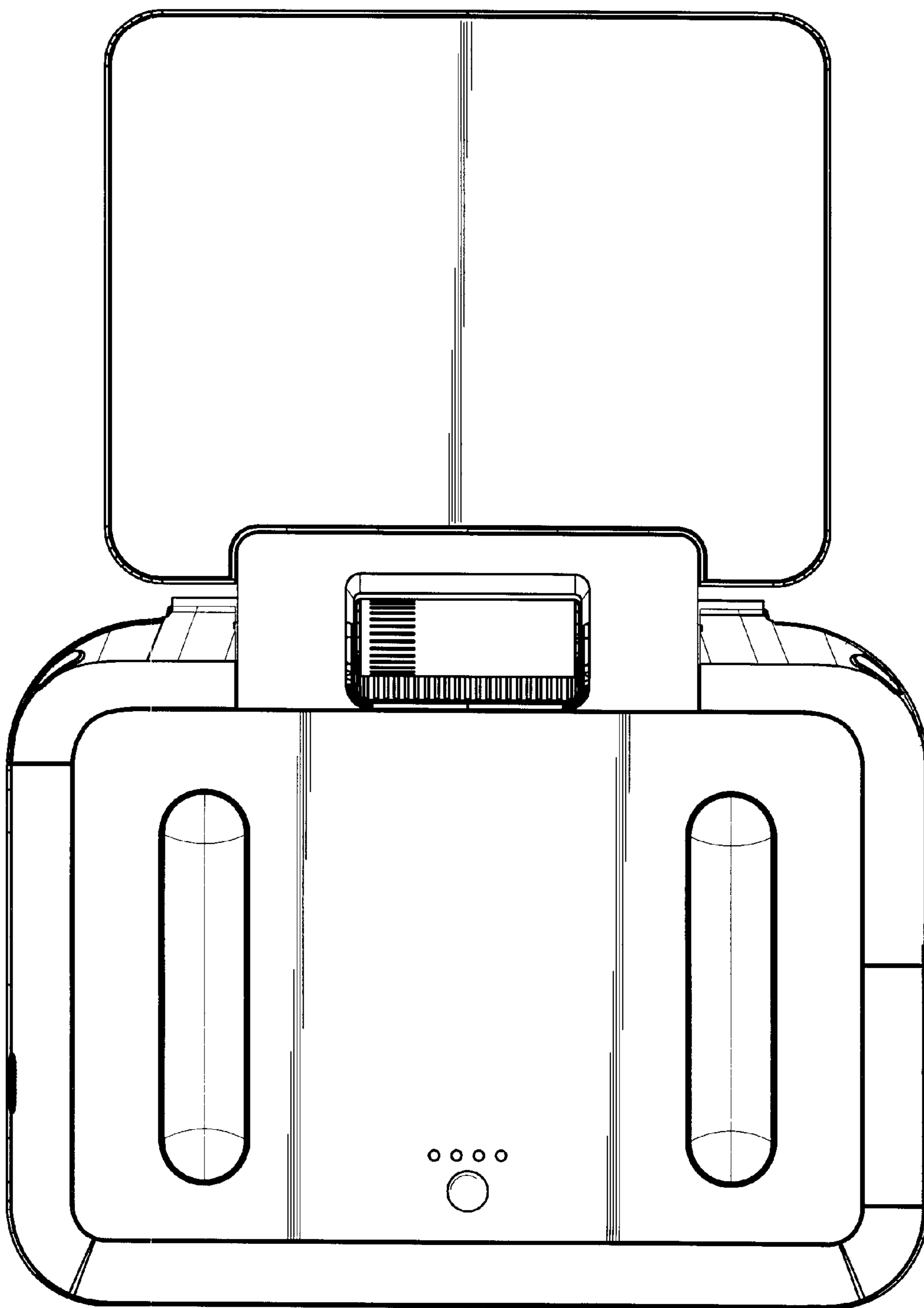


FIG.2

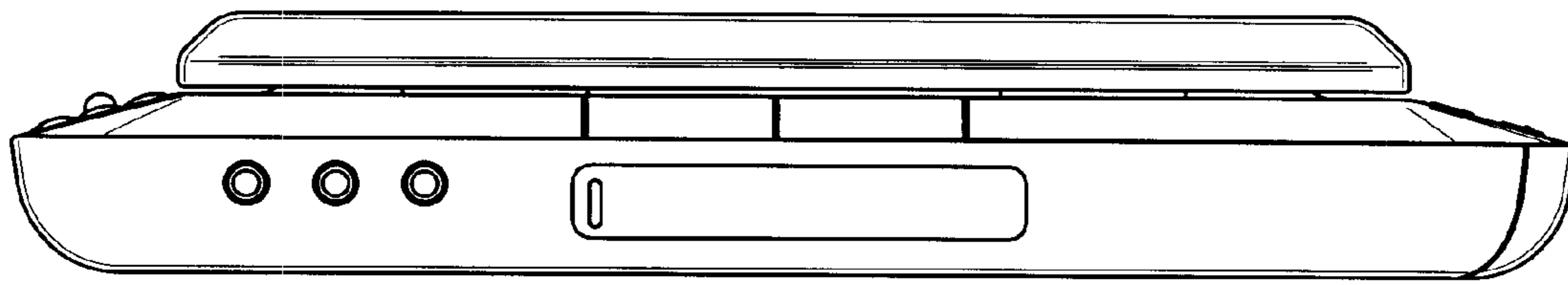


FIG. 3

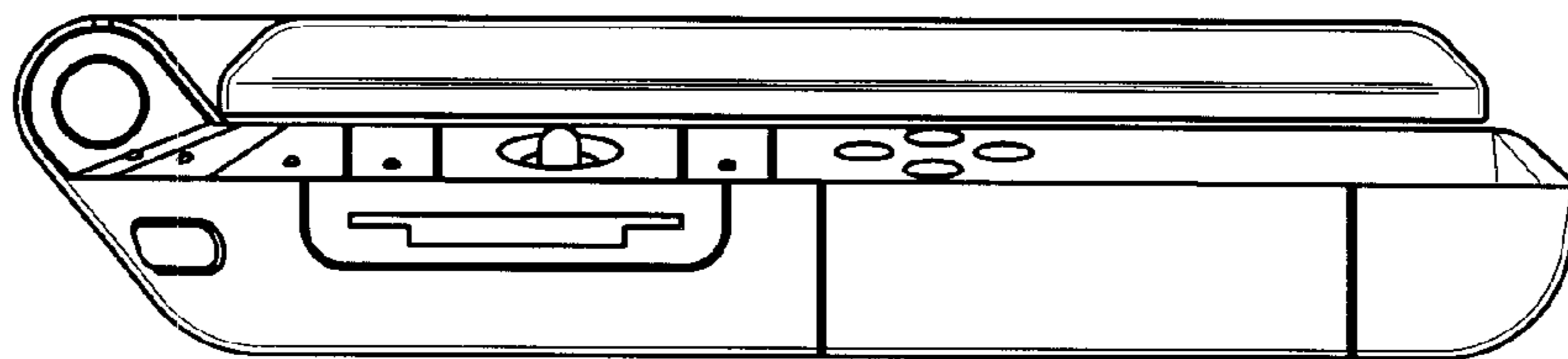


FIG. 4

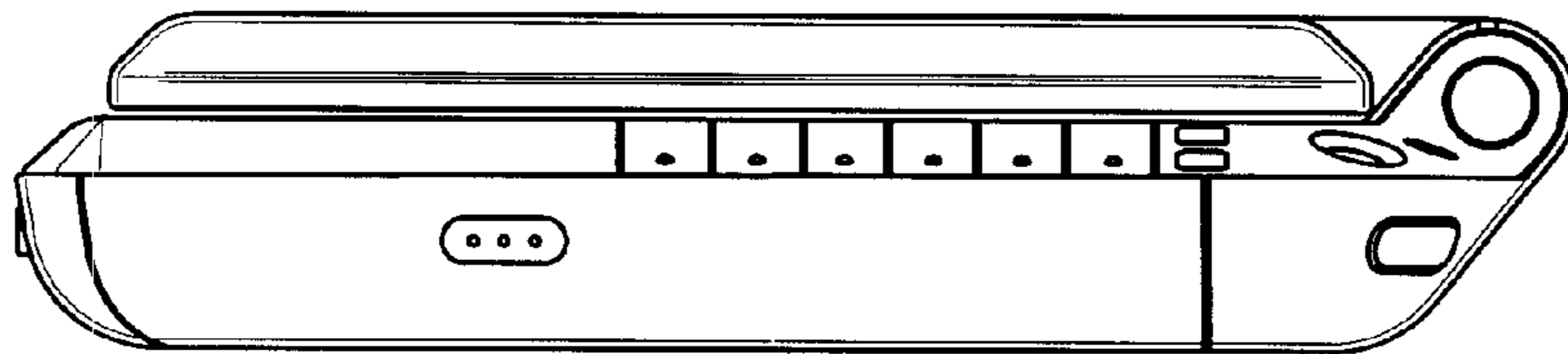


FIG. 5

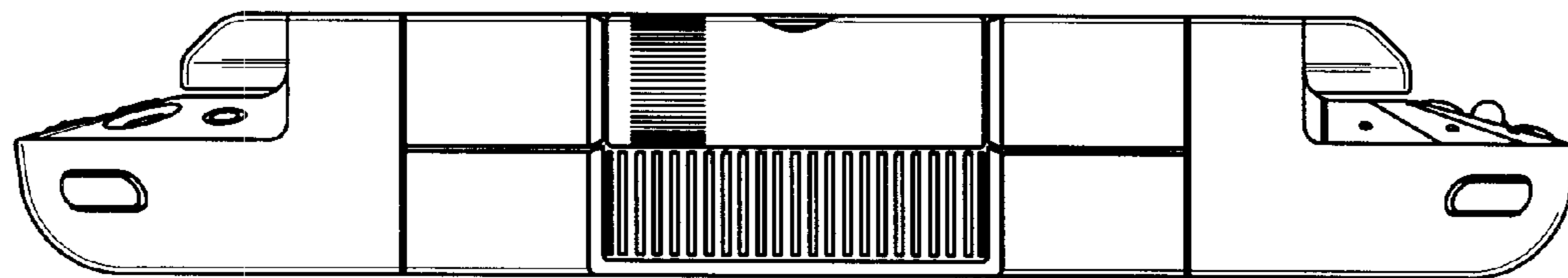


FIG. 6

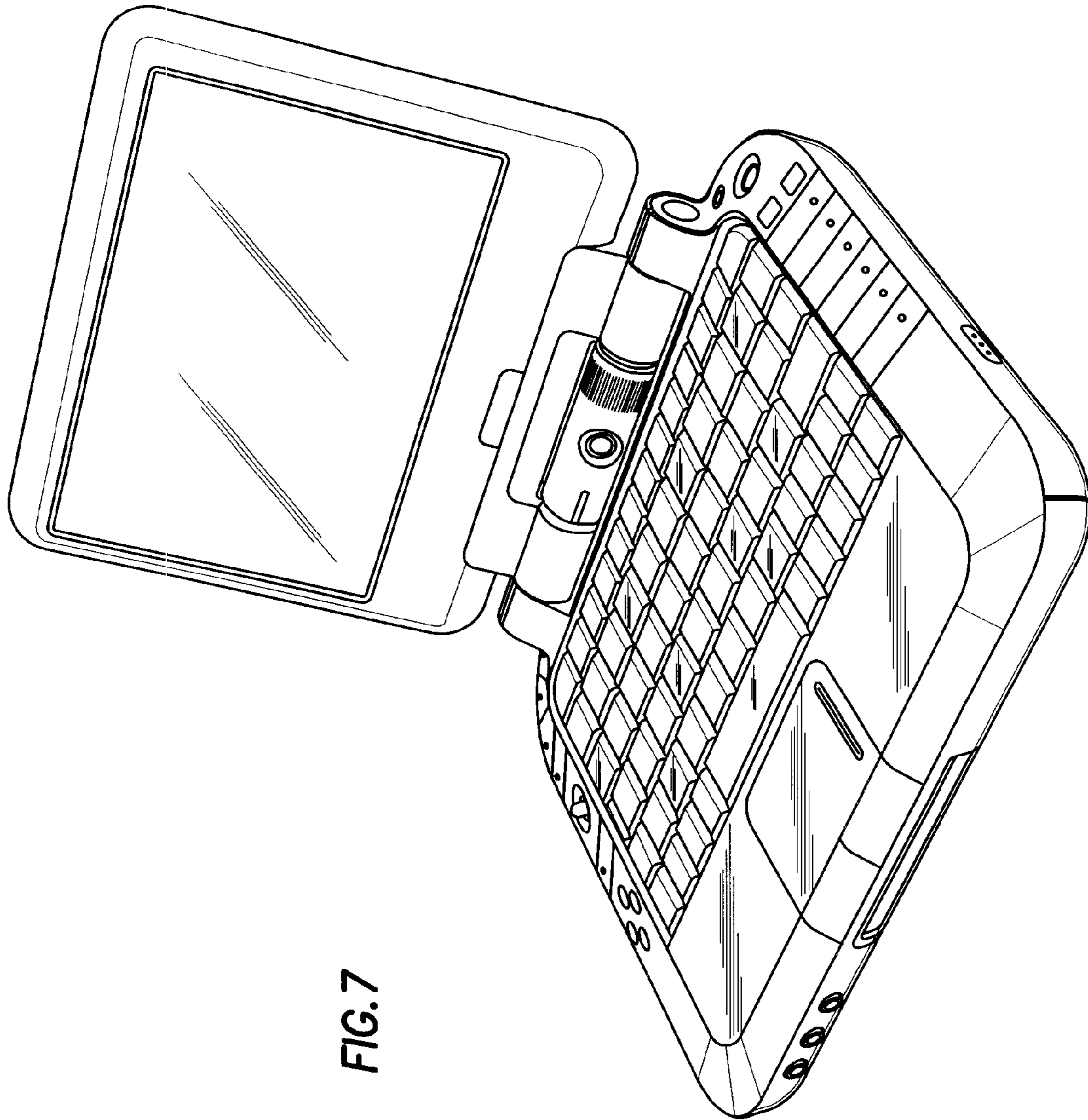


FIG. 7

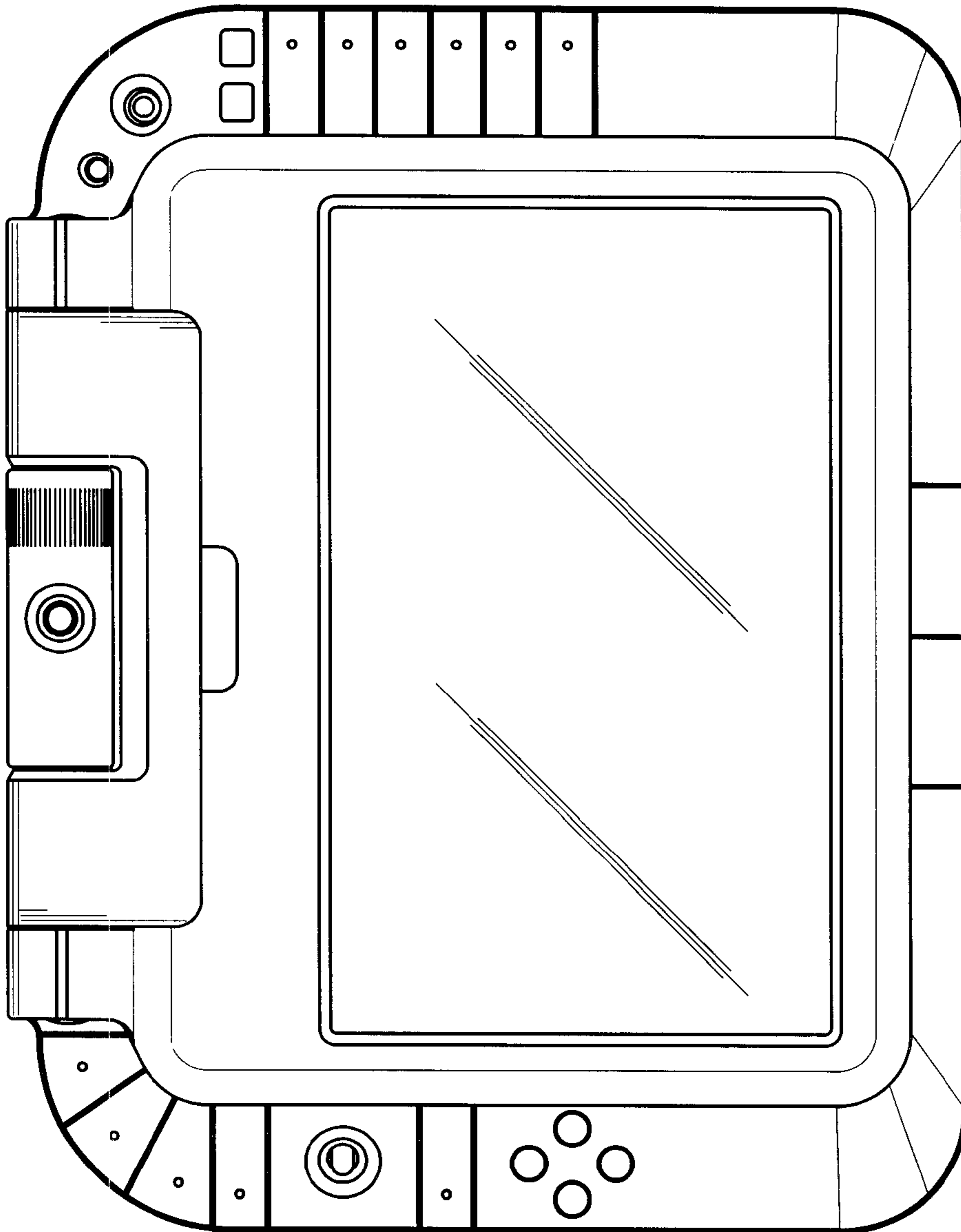


FIG.8