



US00D532007S

(12) **United States Design Patent**  
**Park**

(10) **Patent No.:** **US D532,007 S**

(45) **Date of Patent:** **\*\* Nov. 14, 2006**

(54) **FACE PLATE FOR A VEHICLE AUDIO SYSTEM**

(75) Inventor: **Tae Suk Park**, Icheon-si (KR)

(73) Assignee: **Hyundai Autonet Co., Ltd.**, Icheon-Si (KR)

(\*\*) Term: **14 Years**

(21) Appl. No.: **29/227,873**

(22) Filed: **Apr. 18, 2005**

(30) **Foreign Application Priority Data**

Dec. 7, 2004 (KR) ..... 30-2004-0037388

(51) **LOC (8) Cl.** ..... **14-03**

(52) **U.S. Cl.** ..... **D14/258**

(58) **Field of Classification Search** ..... D14/258,  
D14/257, 224, 217, 192, 188, 168, 167, 165,  
D14/164, 163, 162, 161, 160, 156, 154, 136,  
D14/135; 720/647, 655; 455/350, 347, 344;  
396/434; 360/99.06; 381/86

See application file for complete search history.

(56) **References Cited**

**U.S. PATENT DOCUMENTS**

- D313,023 S \* 12/1990 Kolenda et al. .... D14/258
- D364,877 S \* 12/1995 Tokiyama et al. .... D14/258
- D391,958 S \* 3/1998 Miyazawa et al. .... D14/157
- D400,529 S \* 11/1998 Kakizaki ..... D14/157
- 5,848,042 A \* 12/1998 Takahashi et al. .... 720/647
- D430,132 S \* 8/2000 Yamazaki ..... D14/156
- D445,775 S \* 7/2001 Hori et al. .... D14/157

- D448,014 S \* 9/2001 Hori et al. .... D14/157
- D475,691 S \* 6/2003 Nishii et al. .... D14/157
- D495,678 S \* 9/2004 Uehara ..... D14/168
- D496,930 S \* 10/2004 Yoshihara ..... D14/258
- D496,931 S \* 10/2004 Yoshihara ..... D14/258
- D522,502 S \* 6/2006 Jones ..... D14/258

**FOREIGN PATENT DOCUMENTS**

- KR 211046 12/1997
- KR 211047 12/1997
- KR 211051 12/1997
- KR 30-0285271 11/2001

\* cited by examiner

*Primary Examiner*—Cathron C. Brooks

*Assistant Examiner*—Austin Murphy

(74) *Attorney, Agent, or Firm*—John K. Park; Park Law Firm

(57) **CLAIM**

The ornamental design for a face plate for a vehicle audio system, as shown and described.

**DESCRIPTION**

FIG. 1 is a perspective view of a face plate for a vehicle audio system showing my new design; FIG. 2 is a front elevational view thereof; FIG. 3 is a left side elevational view thereof; FIG. 4 is a right side elevational view thereof; FIG. 5 is a top plan view thereof; and, FIG. 6 is a bottom plan thereof.

The broken lines shown in the drawings form no part of the claimed design.

**1 Claim, 2 Drawing Sheets**

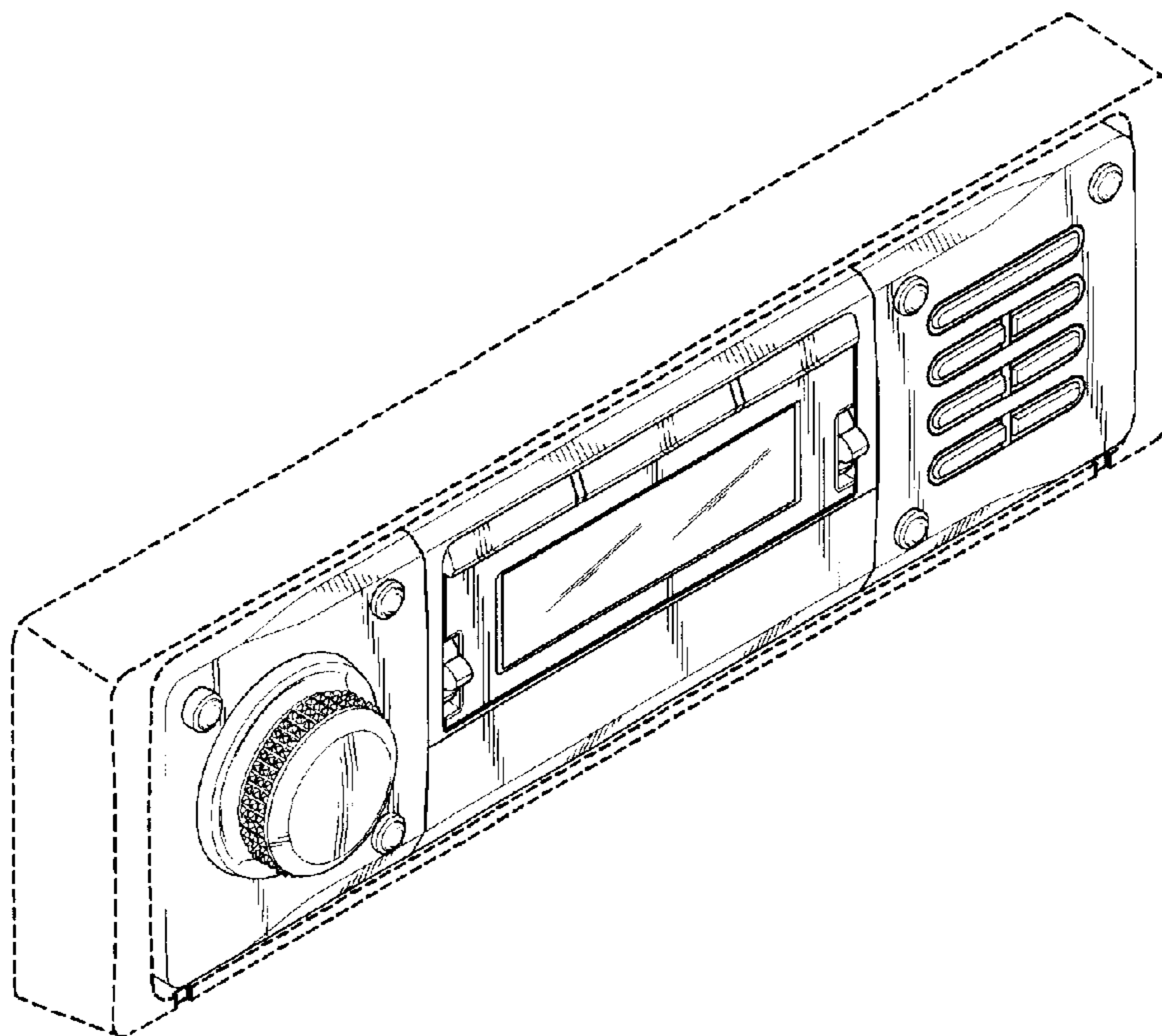


FIG. 1

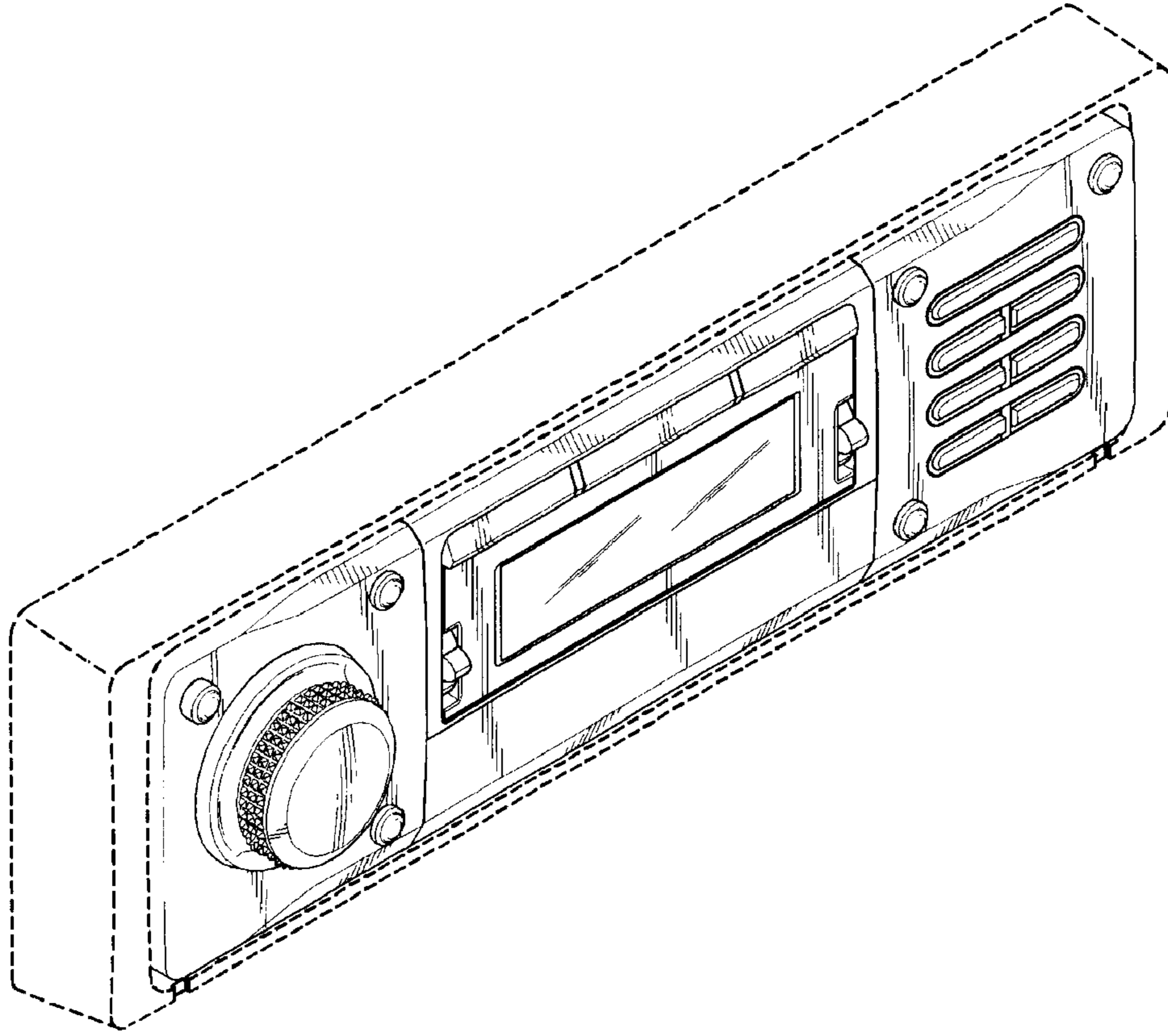


FIG. 2

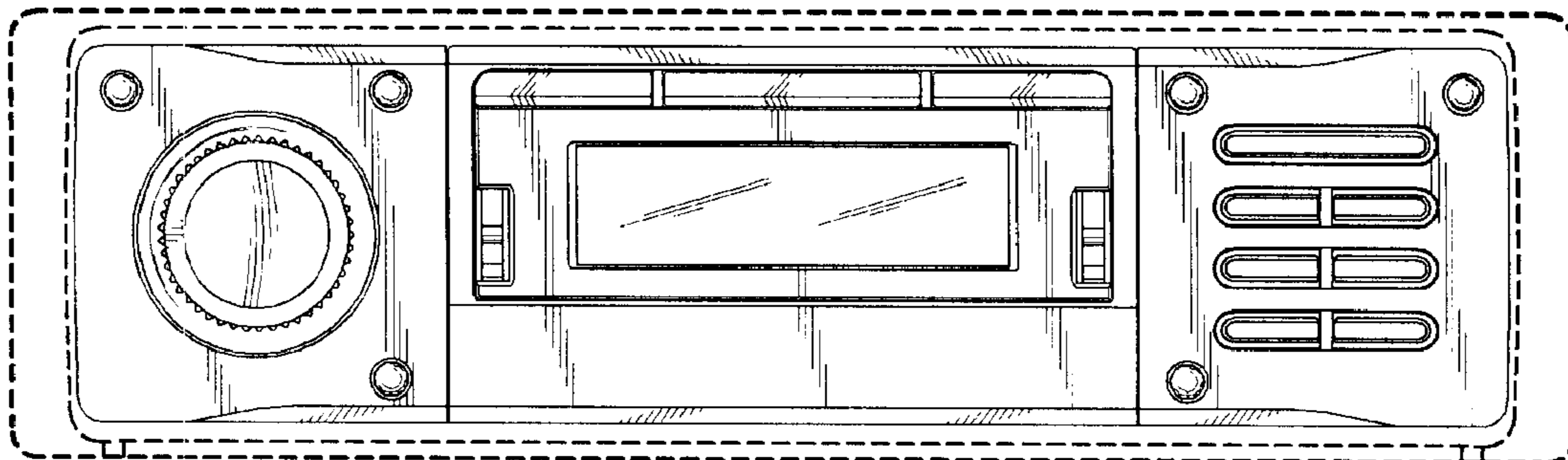


FIG.3

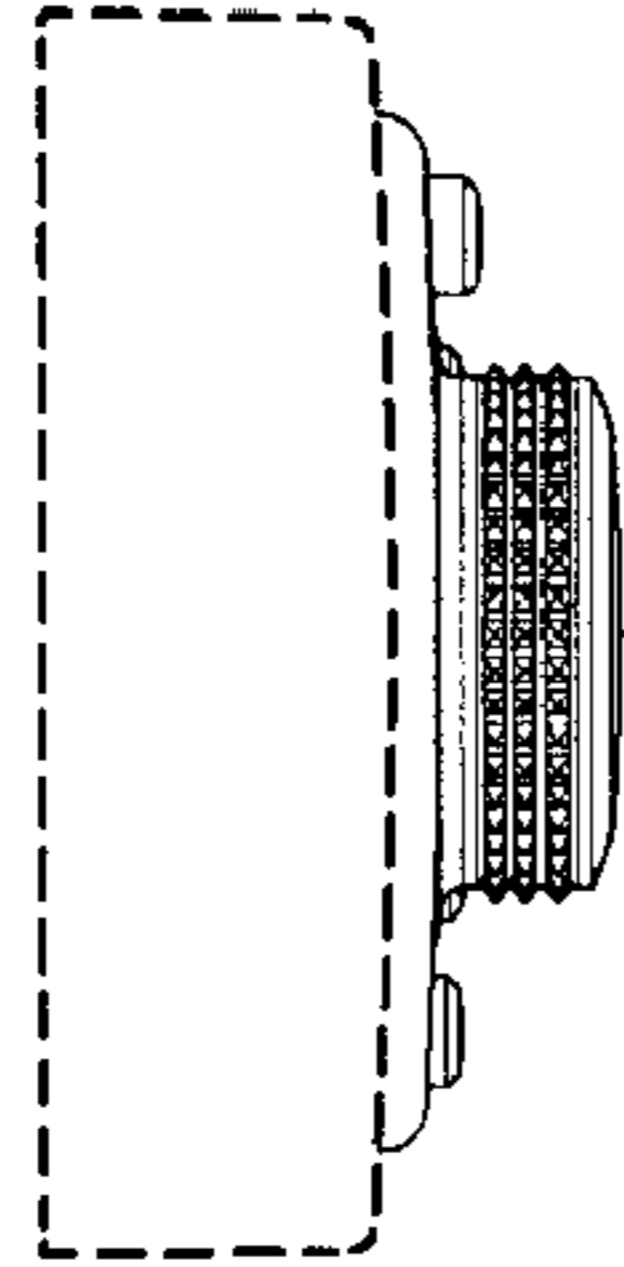


FIG.4

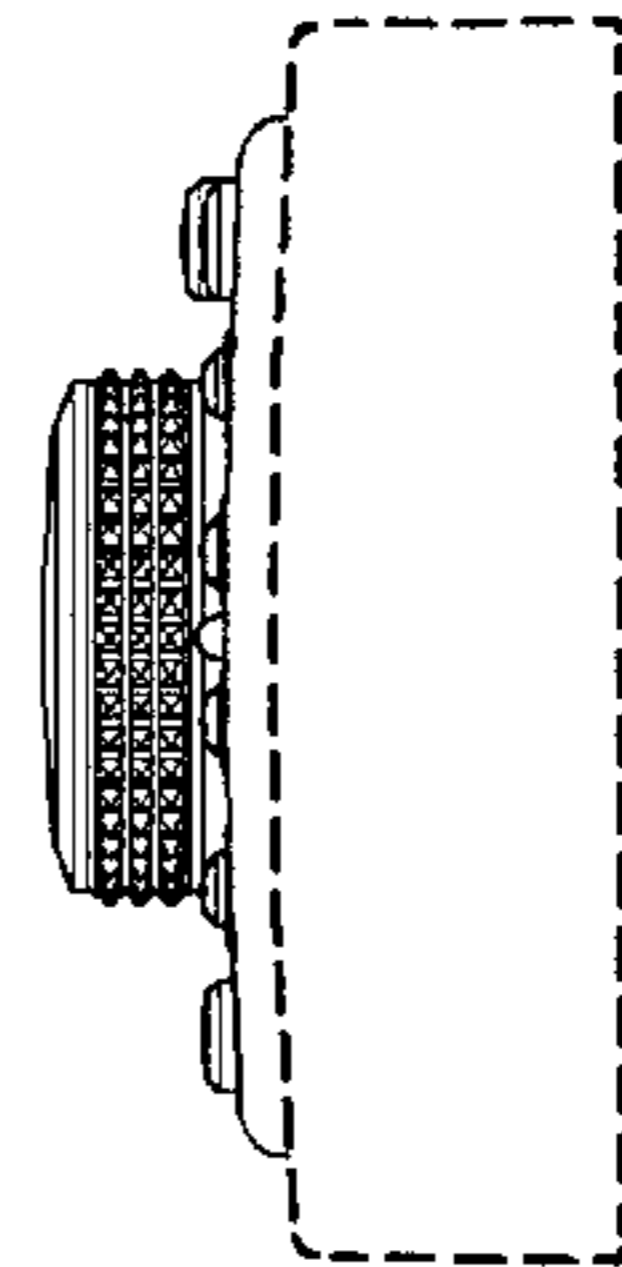


FIG.5

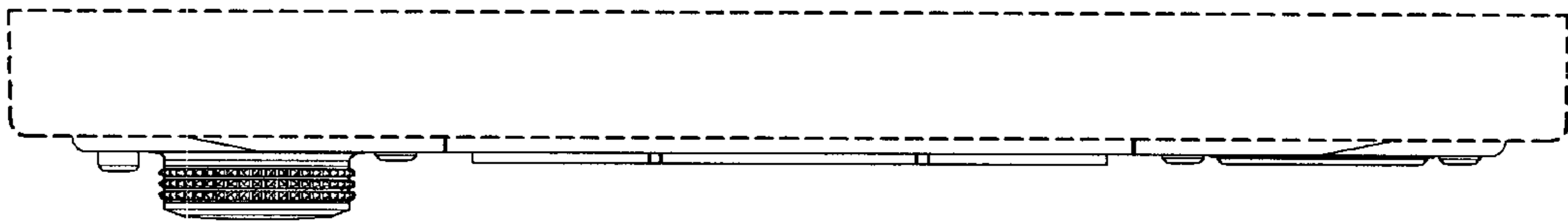


FIG.6

