



US00D532006S

(12) **United States Design Patent**  
**Kim**

(10) **Patent No.:** **US D532,006 S**

(45) **Date of Patent:** **\*\* Nov. 14, 2006**

(54) **FACE PLATE FOR A VEHICLE AUDIO SYSTEM**

(75) Inventor: **Jin Kyum Kim**, Icheon-si (KR)

(73) Assignee: **Hyundai Autonet Co., Ltd.**, Icheon-Si (KR)

(\*\*) Term: **14 Years**

(21) Appl. No.: **29/227,872**

(22) Filed: **Apr. 18, 2005**

(30) **Foreign Application Priority Data**

Dec. 31, 2004 (KR) ..... 30-2004-0041019

(51) **LOC (8) Cl.** ..... **14-03**

(52) **U.S. Cl.** ..... **D14/258**

(58) **Field of Classification Search** ..... D14/258,  
D14/257, 224, 217, 192, 188, 168, 167, 165,  
D14/164, 163, 162, 161, 160, 156, 154, 136,  
D14/135; 720/647, 655; 455/350, 347, 344;  
396/434; 360/99.06; 381/86

See application file for complete search history.

(56) **References Cited**

**U.S. PATENT DOCUMENTS**

D313,023 S \* 12/1990 Kolenda et al. .... D14/258  
D364,877 S \* 12/1995 Tokiyama et al. .... D14/258  
D391,958 S \* 3/1998 Miyazawa et al. .... D14/157  
D400,529 S \* 11/1998 Kakizaki ..... D14/157  
5,848,042 A \* 12/1998 Takahashi et al. .... 720/647  
D430,132 S \* 8/2000 Yamazaki ..... D14/156  
D445,775 S \* 7/2001 Hori et al. .... D14/157

D448,014 S \* 9/2001 Hori et al. .... D14/157  
D475,691 S \* 6/2003 Nishii et al. .... D14/157  
D495,678 S \* 9/2004 Uehara ..... D14/168  
D496,930 S \* 10/2004 Yoshihara ..... D14/258  
D496,931 S \* 10/2004 Yoshihara ..... D14/258  
D522,502 S \* 6/2006 Jones ..... D14/258

**FOREIGN PATENT DOCUMENTS**

KR 30-0278923 8/2001  
KR 30-0301399 7/2002  
KR 30-0301400 7/2002

\* cited by examiner

*Primary Examiner*—Cathron C. Brooks

*Assistant Examiner*—Austin Murphy

(74) *Attorney, Agent, or Firm*—John K. Park; Park Law Firm

(57) **CLAIM**

The ornamental design for a face plate for a vehicle audio system, as shown and described.

**DESCRIPTION**

FIG. 1 is a perspective view of a vehicle audio system showing my new design;

FIG. 2 is a front elevational view thereof;

FIG. 3 is a left side elevational view thereof;

FIG. 4 is a right side elevational view thereof;

FIG. 5 is a top plan view thereof; and,

FIG. 6 is a bottom plan thereof.

The broken lines shown in the drawings form no part of the claimed design.

**1 Claim, 2 Drawing Sheets**

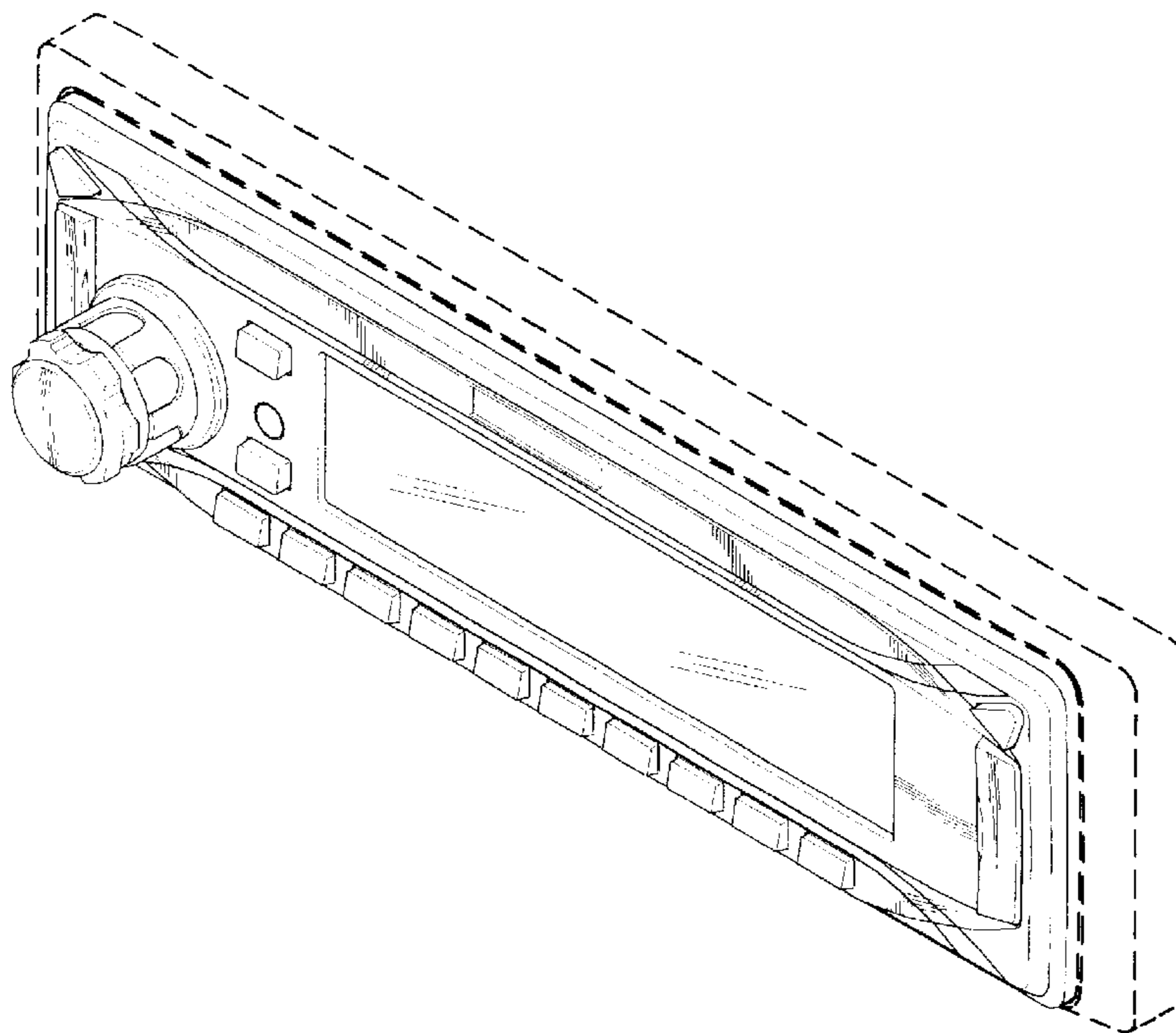


FIG.1

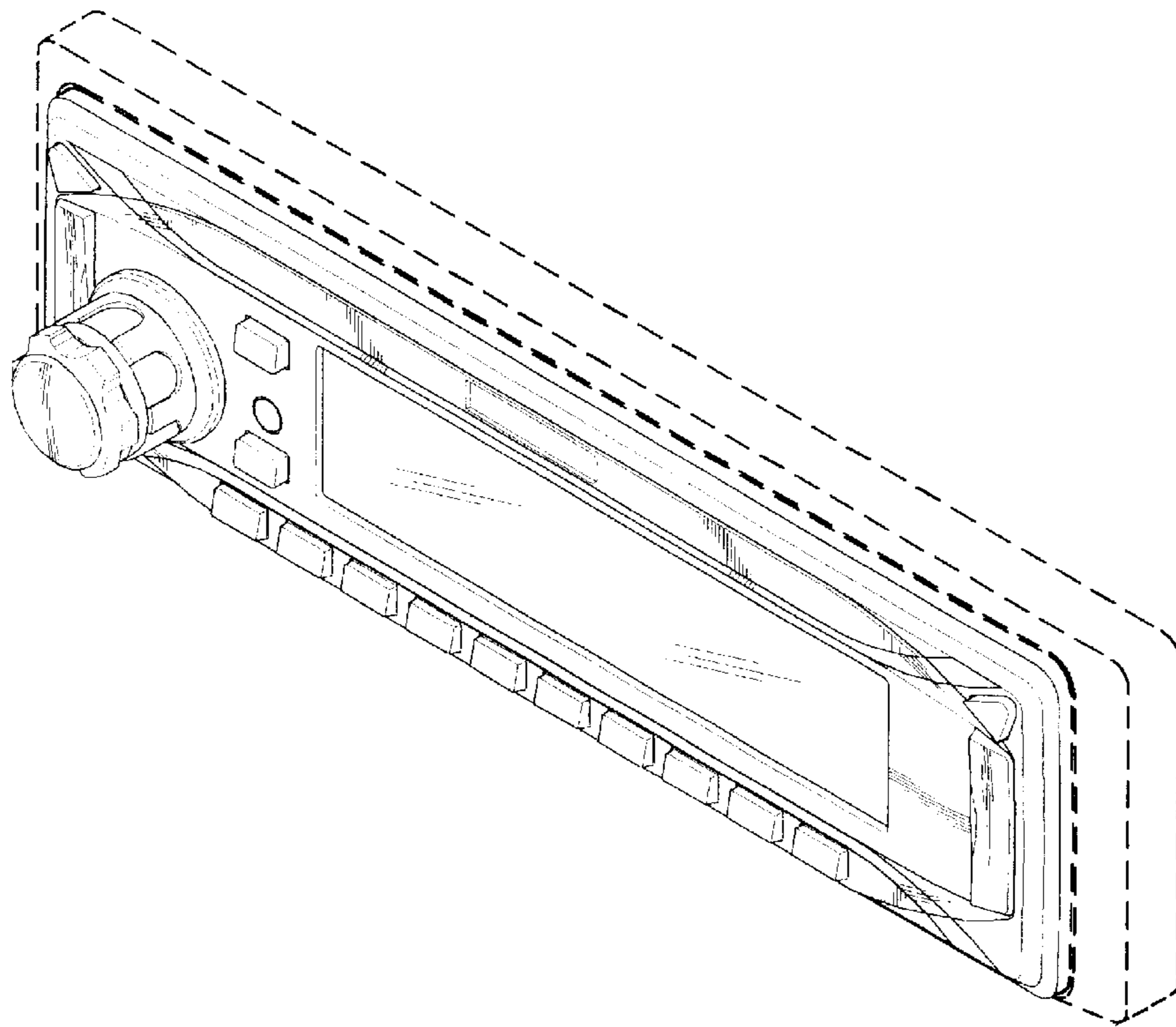


FIG.2

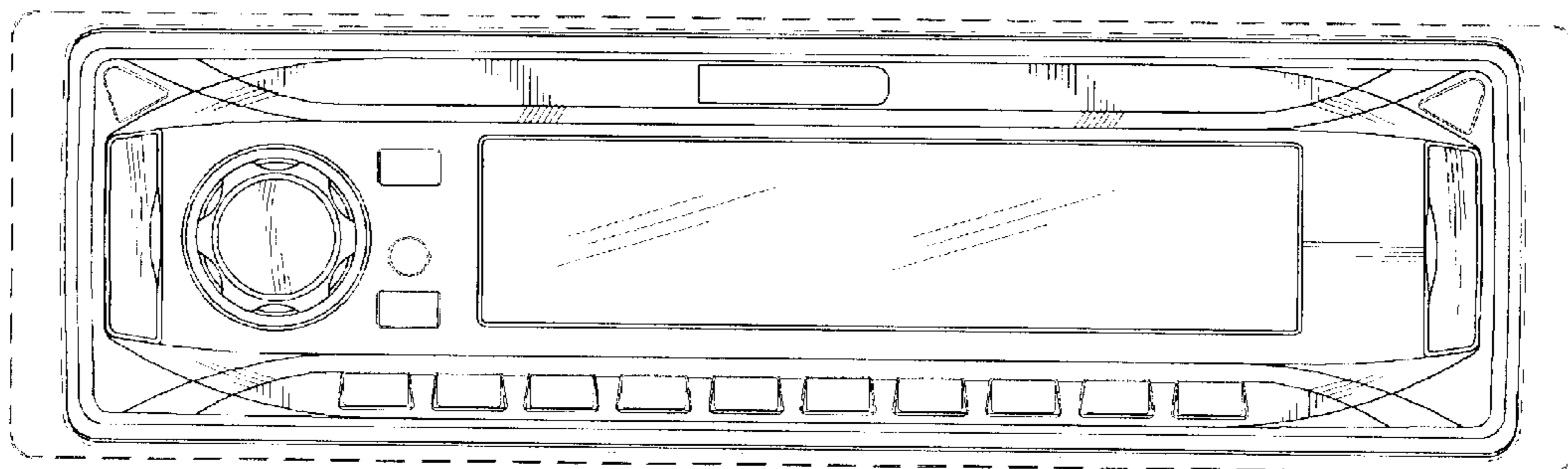


FIG.3

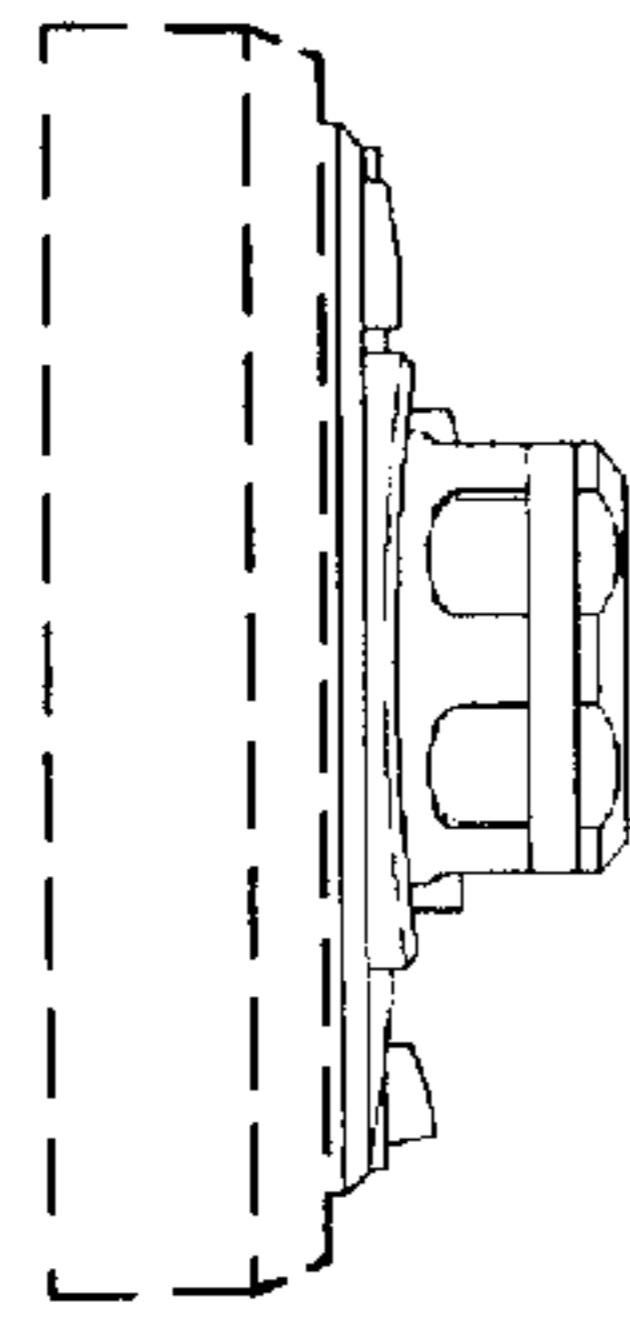


FIG.4

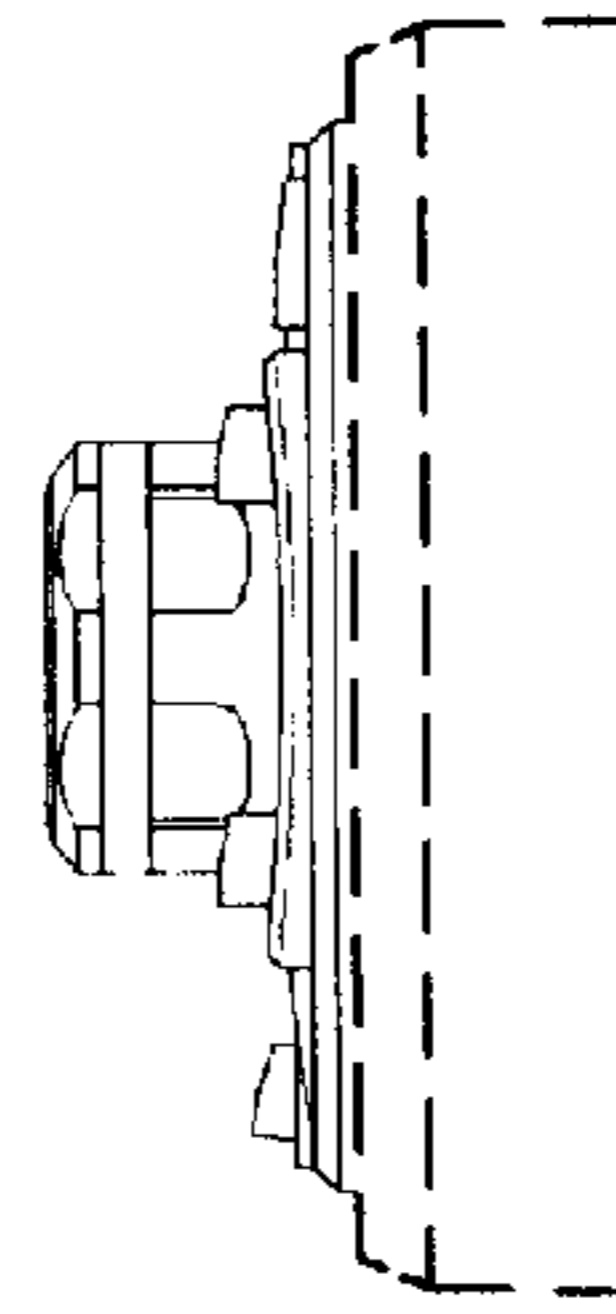


FIG.5

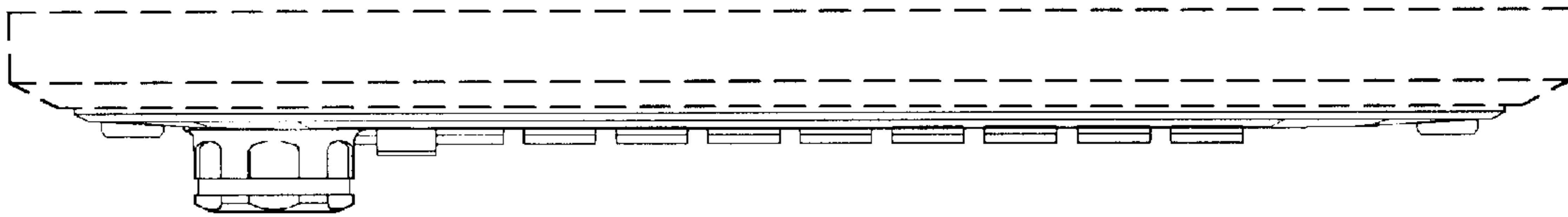


FIG.6

