



US00D532003S

(12) **United States Design Patent**
Franck et al.

(10) **Patent No.: US D532,003 S**

(45) **Date of Patent: ** Nov. 14, 2006**

(54) **TELEPHONE HANDSET CLIP**

(75) Inventors: **Christopher G. Franck**, Decatur, GA (US); **Jeffery R. Beasley**, Suwanee, GA (US); **Matthew M. Julian**, Sunrise, FL (US)

(73) Assignee: **General Instrument Corporation**, Horsham, PA (US)

(**) Term: **14 Years**

(21) Appl. No.: **29/224,517**

(22) Filed: **Mar. 3, 2005**

(51) **LOC (8) Cl.** **14-03**

(52) **U.S. Cl.** **D14/248; D3/218**

(58) **Field of Classification Search** D14/138, D14/151, 147-148, 248; D3/208, 218; 379/449-450; 224/269-271

See application file for complete search history.

(56) **References Cited**

U.S. PATENT DOCUMENTS

D391,758 S	*	3/1998	Wolf et al.	D3/218
D401,578 S	*	11/1998	Lytel	D14/147
D412,169 S	*	7/1999	Schnell et al.	D14/138
D412,170 S	*	7/1999	Chan	D14/147
D442,157 S	*	5/2001	Muenschner et al.	D14/138

D460,059 S	*	7/2002	Chan	D14/147
D460,060 S	*	7/2002	Hughes et al.	D14/147
D486,807 S	*	2/2004	Takayama et al.	D14/137
D491,542 S	*	6/2004	Chai et al.	D14/138

FOREIGN PATENT DOCUMENTS

WO DM/059938 * 5/2002

* cited by examiner

Primary Examiner—Ian Simmons

Assistant Examiner—Carla Jobe Wright

(74) *Attorney, Agent, or Firm*—Benjamin D. Driscoll

(57) **CLAIM**

The ornamental design for a telephone handset clip, as shown and described.

DESCRIPTION

FIG. 1 is a back perspective view of a telephone handset clip;

FIG. 2 is a front view of the handset clip of FIG. 1;

FIG. 3 is a back view of the handset clip of FIG. 1;

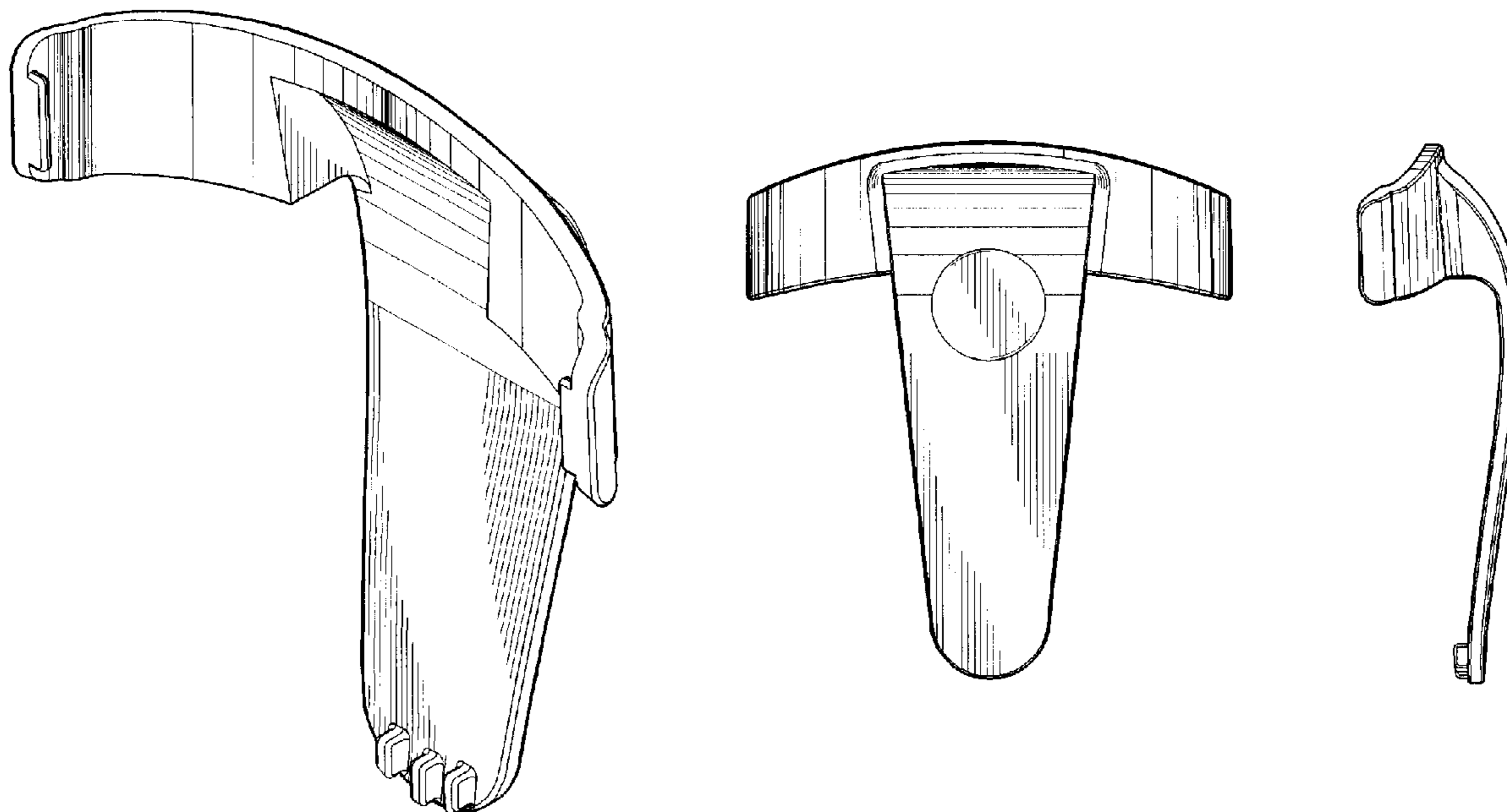
FIG. 4 is a side view of the handset clip of FIG. 1;

FIG. 5 is an opposite side view of the handset clip of FIG. 1;

FIG. 6 is a top view of the handset clip of FIG. 1; and,

FIG. 7 is a bottom view of the handset clip of FIG. 1.

1 Claim, 2 Drawing Sheets



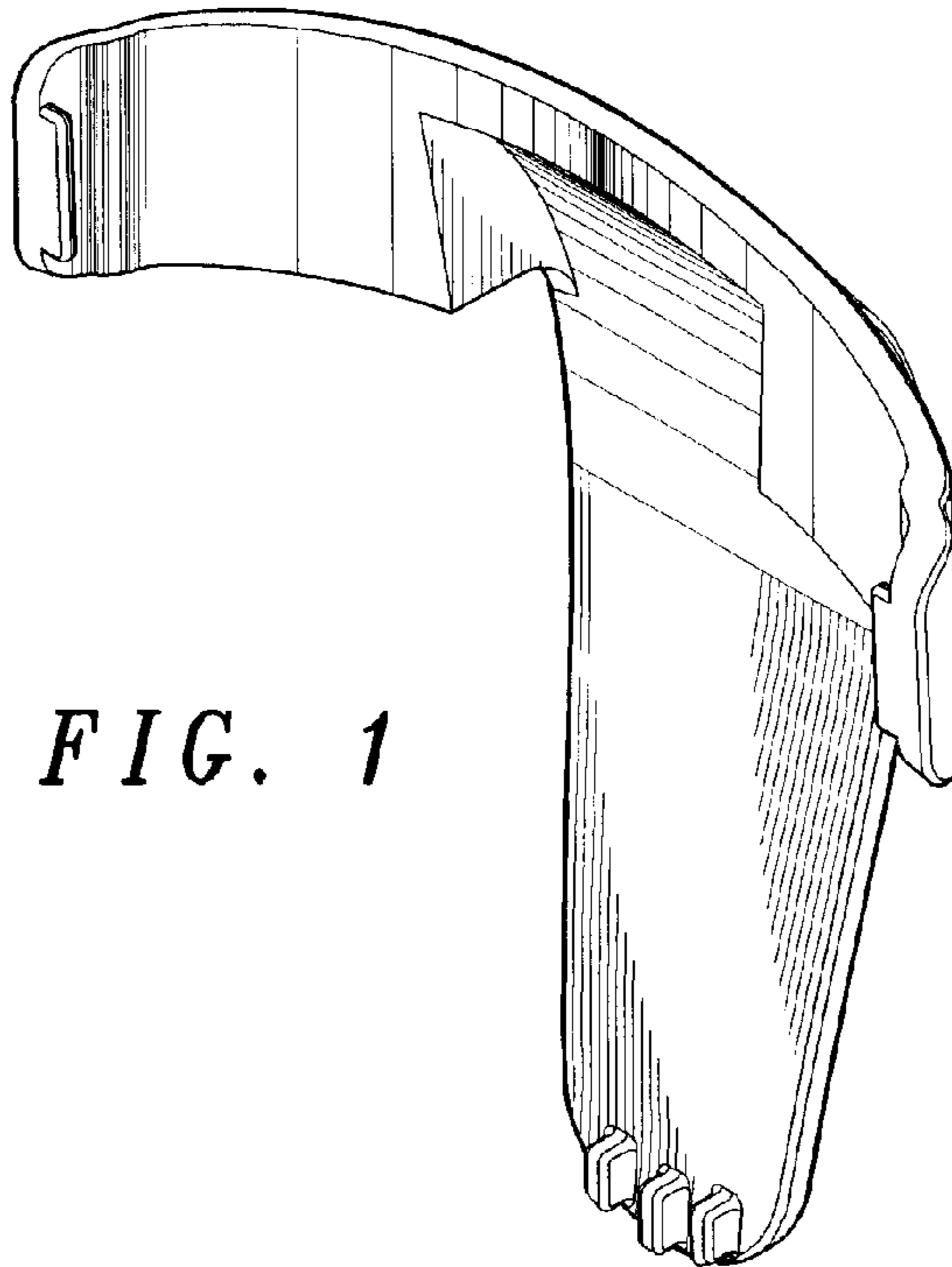


FIG. 1

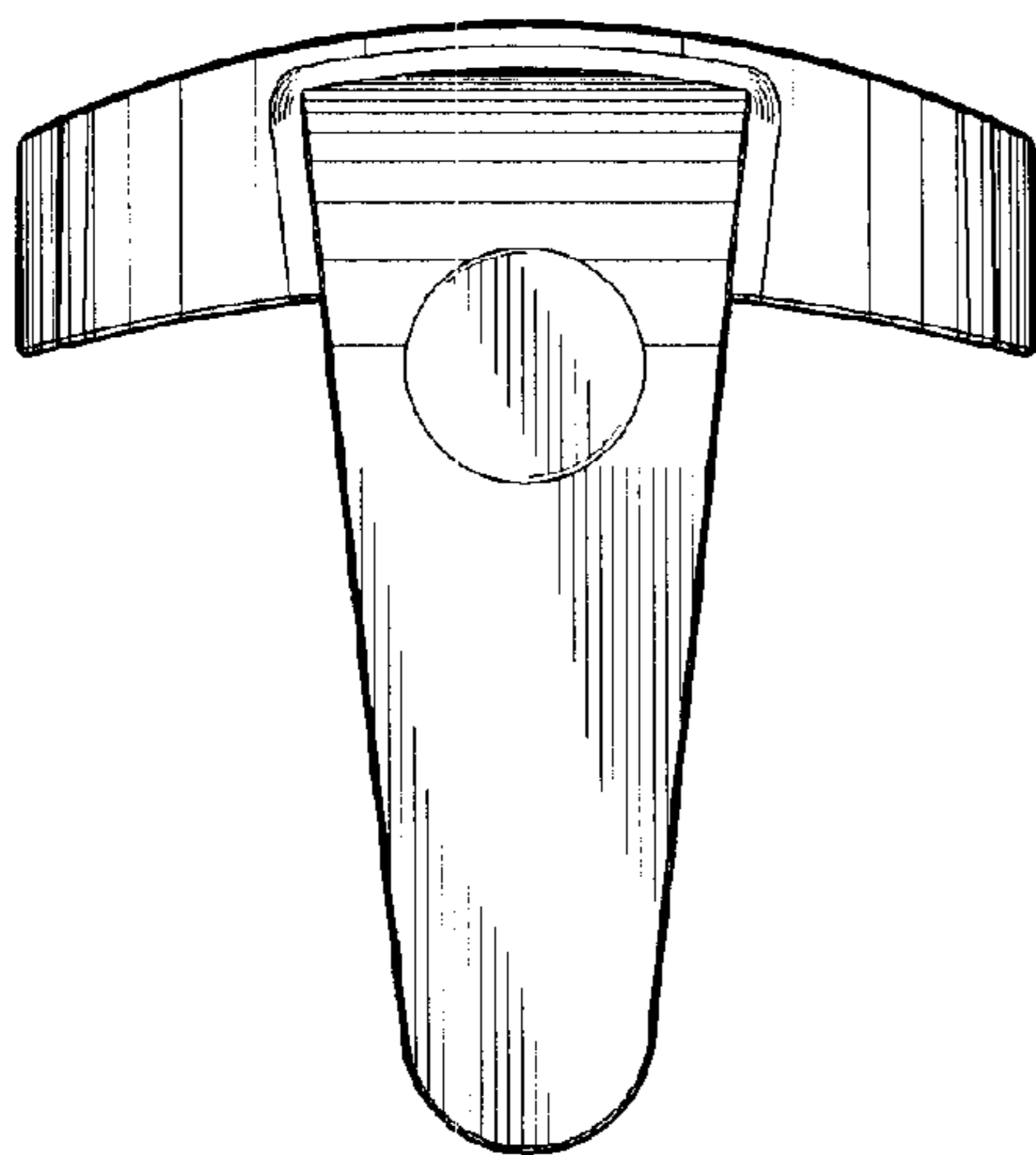


FIG. 2

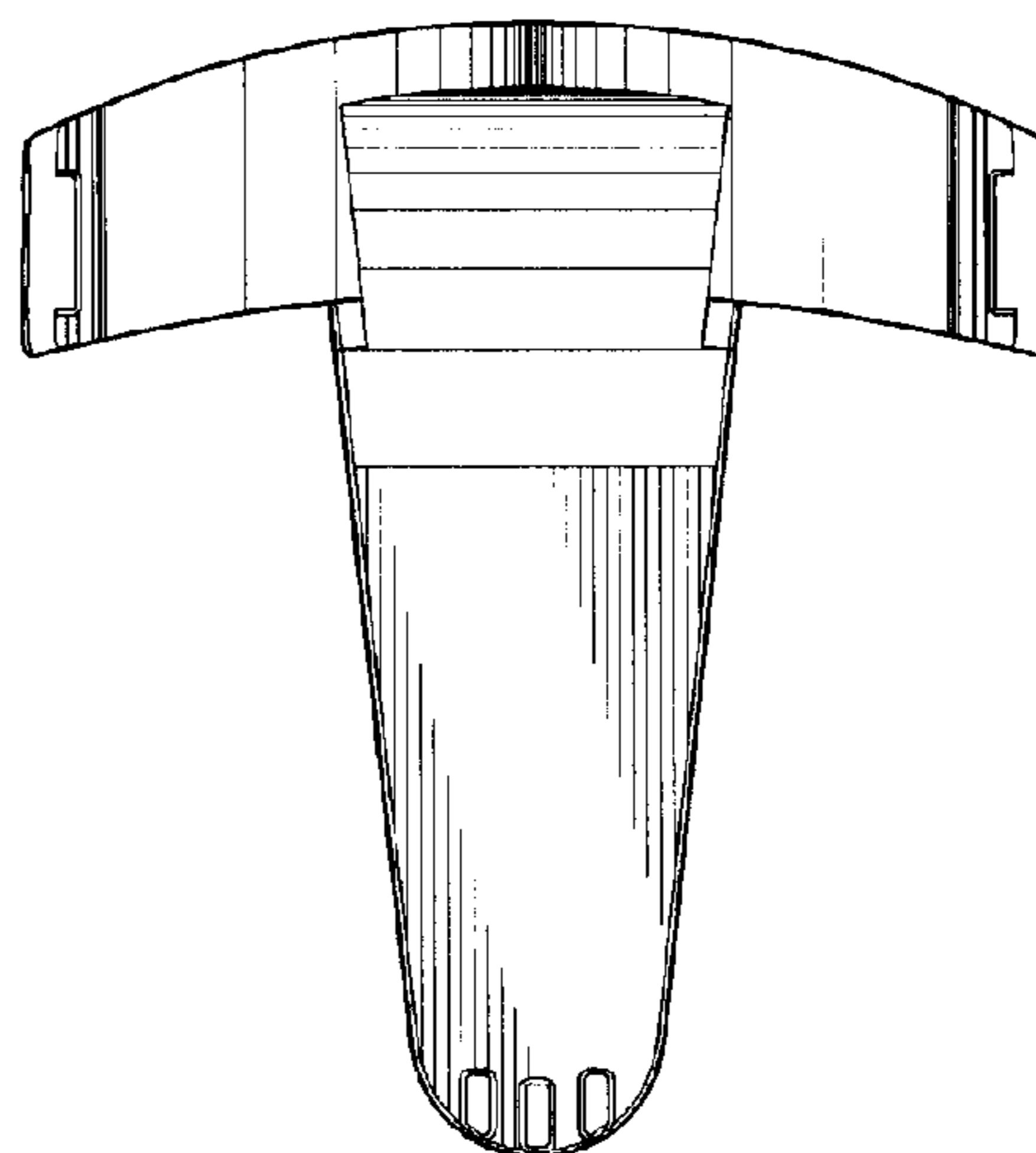


FIG. 3

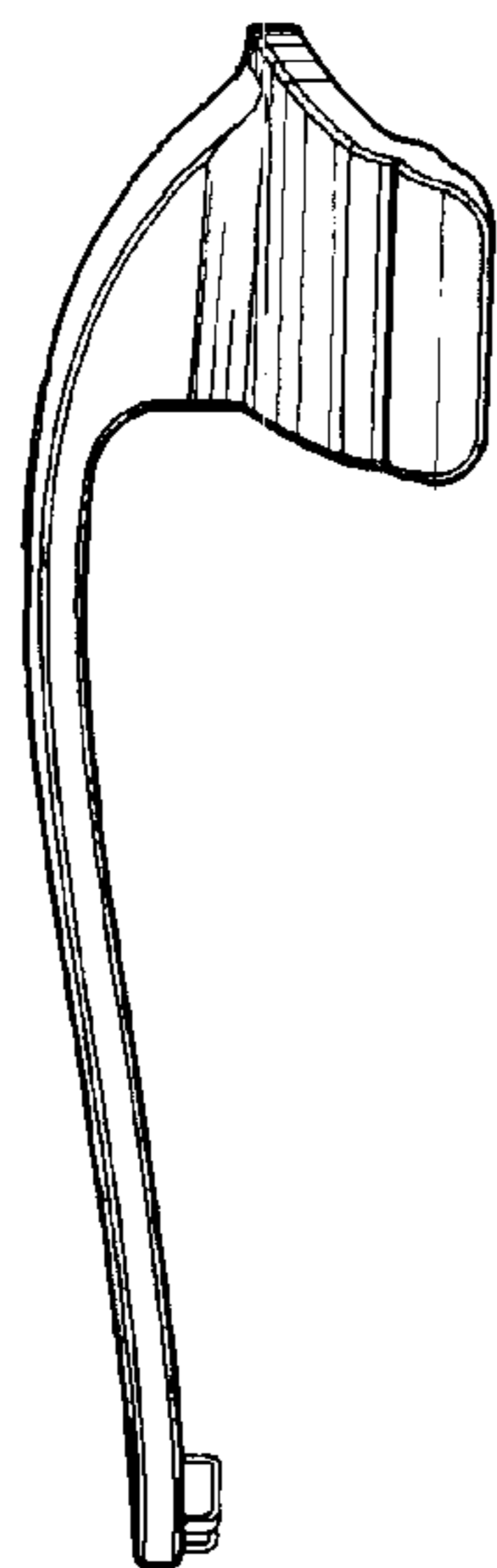


FIG. 4



FIG. 5

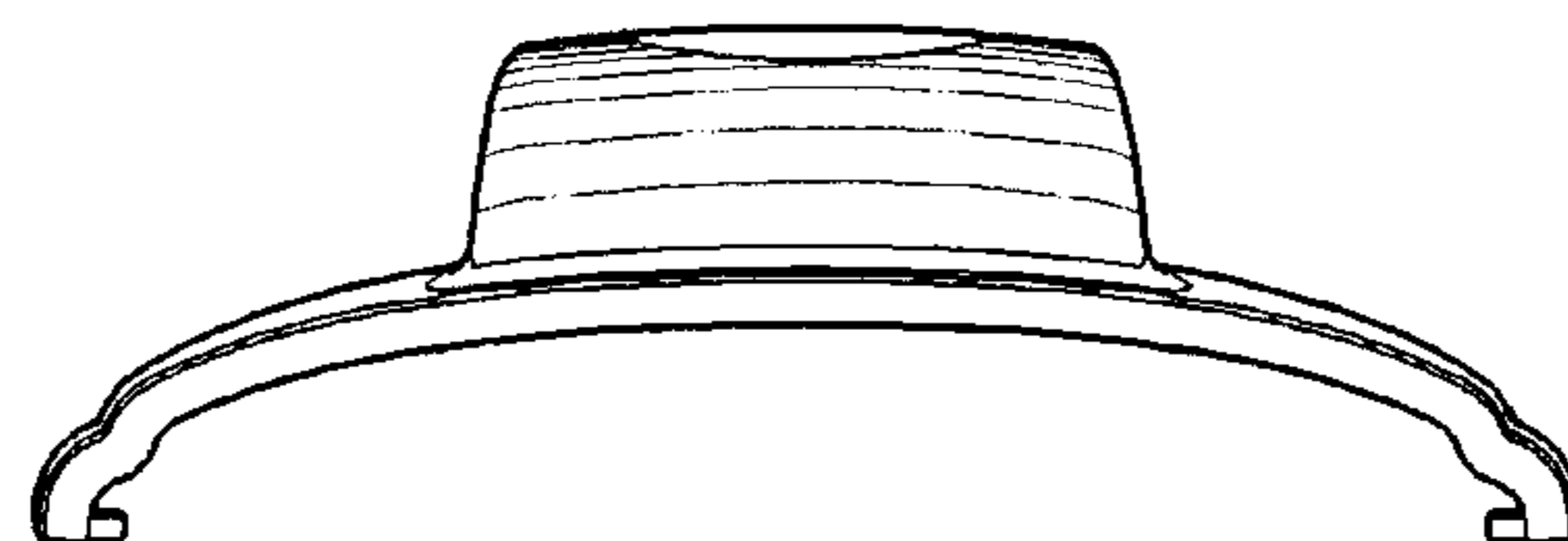


FIG. 6

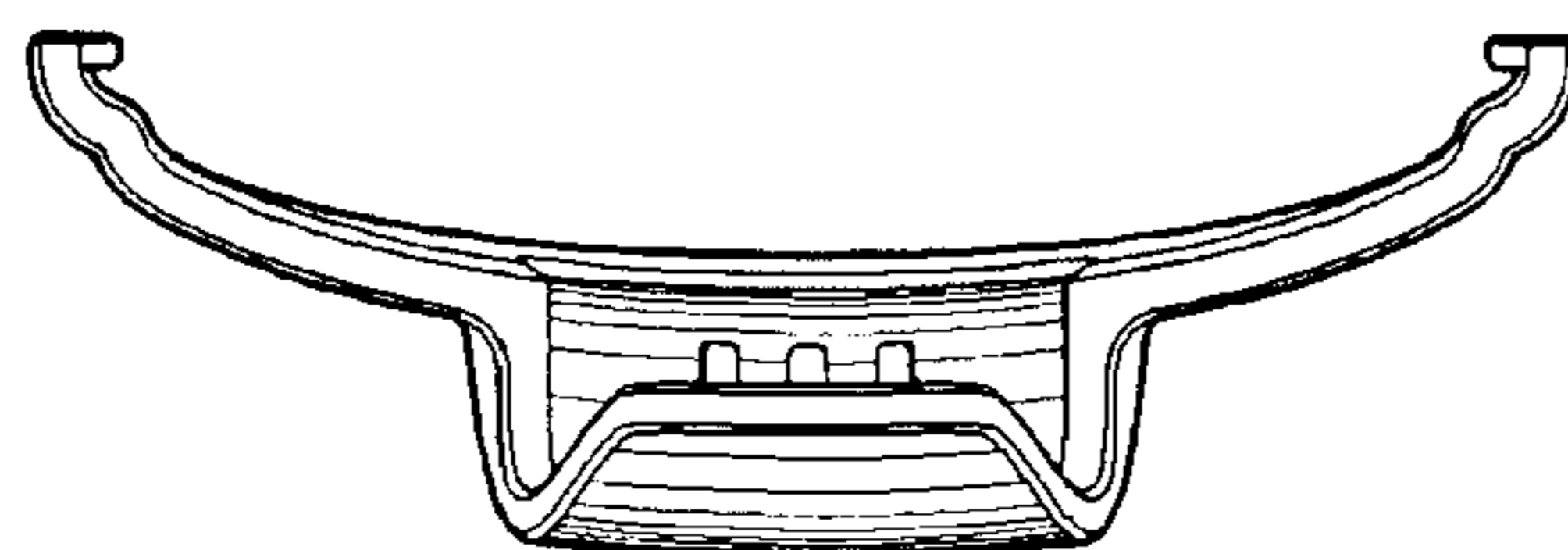


FIG. 7