



US00D532001S

(12) **United States Design Patent**
Burke

(10) **Patent No.:** **US D532,001 S**

(45) **Date of Patent:** **** Nov. 14, 2006**

(54) **WIRELESS LOCAL AREA NETWORK
DEVICE**

(75) **Inventor:** **Jonathan Burke**, Corte Madera, CA
(US)

(73) **Assignee:** **Ruckus Wireless, Inc.**, Sunnyvale, CA
(US)

(**) **Term:** **14 Years**

(21) **Appl. No.:** **29/233,156**

(22) **Filed:** **Jun. 28, 2005**

(51) **LOC (8) Cl.** **14-03**

(52) **U.S. Cl.** **D14/240**

(58) **Field of Classification Search** D14/240,
D14/242, 246, 192, 223, 140.1, 140.4, 356,
D14/358; D13/184, 123; 181/129-130; 379/430,
379/431, 433.01, 420.03, 957, 52, 106.1,
379/333-337, 387.01, 399.01, 413.02, 413.04;
455/569.1, 510, 524; 439/717; D26/139,
D26/135, 120

See application file for complete search history.

(56) **References Cited**

U.S. PATENT DOCUMENTS

D246,712 S * 12/1977 Shugrue D14/192
D273,009 S * 3/1984 Isaacs D14/192

D351,841 S * 10/1994 Blankenship et al. D14/242
D379,993 S * 6/1997 Devitt et al. D14/240
D383,458 S * 9/1997 Biasotti et al. D14/240
D427,177 S * 6/2000 Yamazaki D14/192
D472,235 S * 3/2003 Chen D14/240
D478,070 S * 8/2003 Nagai et al. D14/240
D486,820 S * 2/2004 Burns et al. D14/242
D501,844 S * 2/2005 Hirano D14/192
D514,096 S * 1/2006 Storti et al. D14/240

* cited by examiner

Primary Examiner—Charles A. Rademaker

(74) *Attorney, Agent, or Firm*—Carr & Ferrell LLP

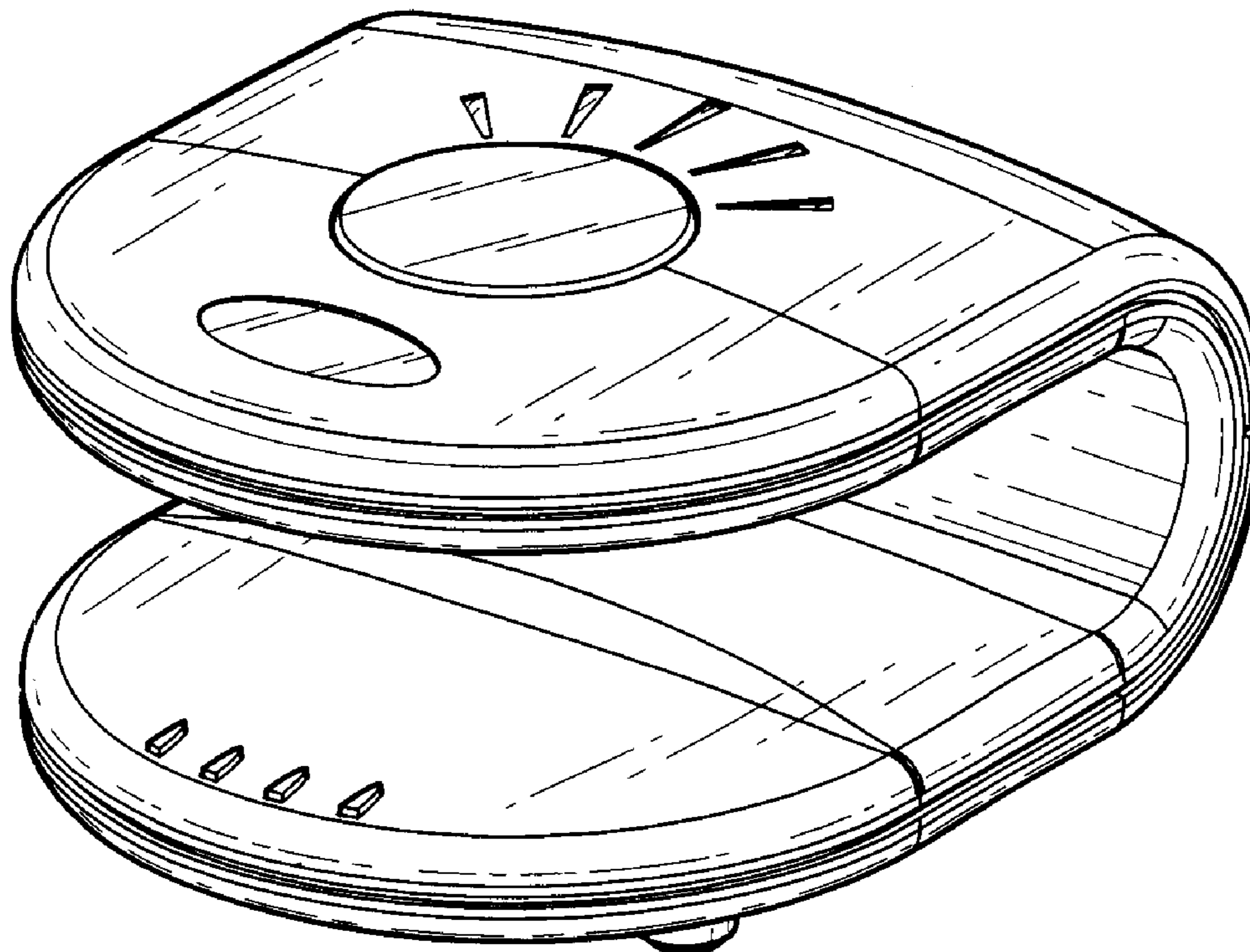
(57) **CLAIM**

The ornamental design for a wireless local area network device, as shown and described.

DESCRIPTION

FIG. 1 is a front perspective view of a wireless local area network device showing my new design; FIG. 2 is a rear perspective view thereof; FIG. 3 is a top plan view thereof; FIG. 4 is a bottom plan view thereof; FIG. 5 is a left side elevation thereof; FIG. 6 is a right side elevation view thereof; FIG. 7 is a back elevation thereof; and, FIG. 8 is a front elevation thereof.

1 Claim, 4 Drawing Sheets



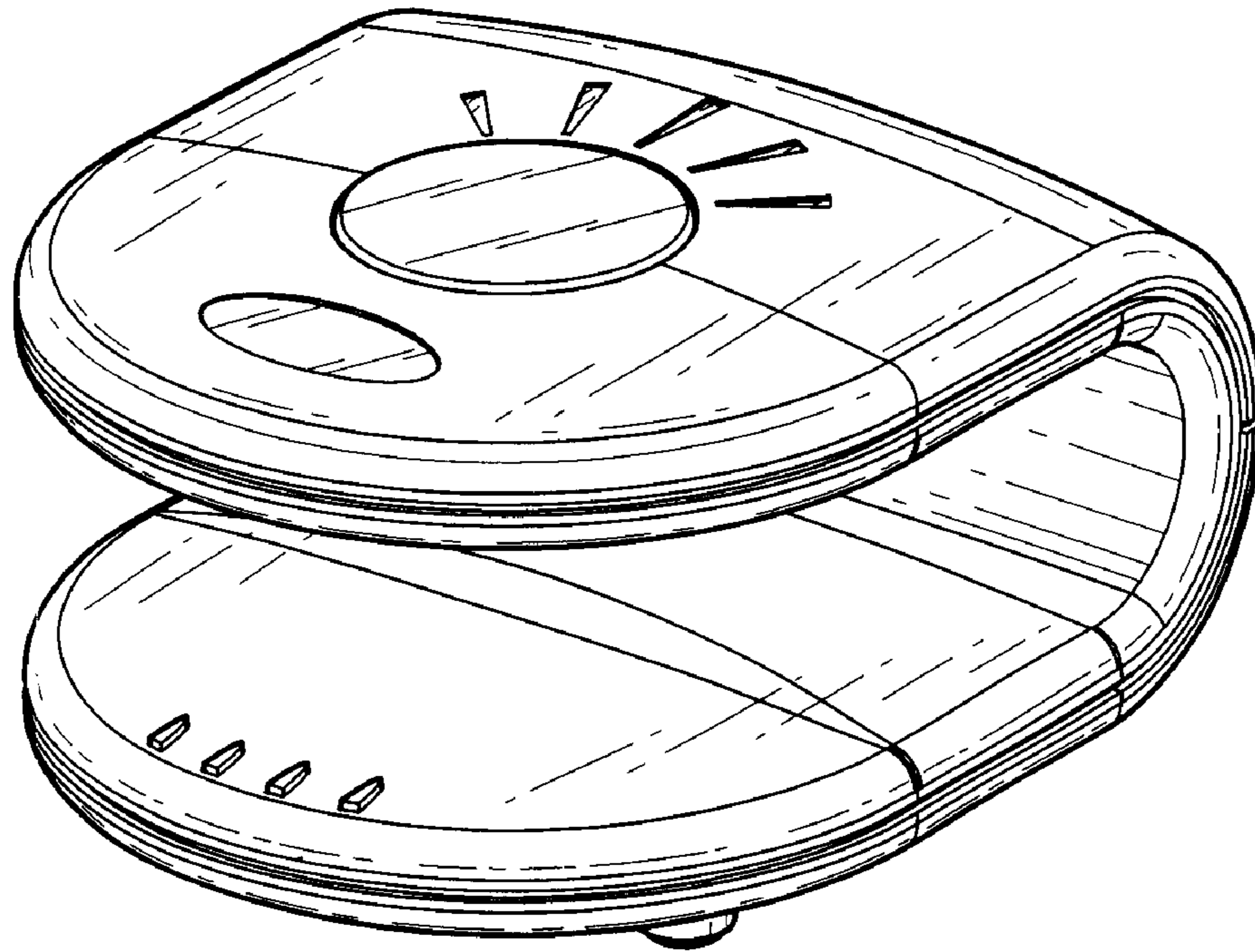


FIG. 1

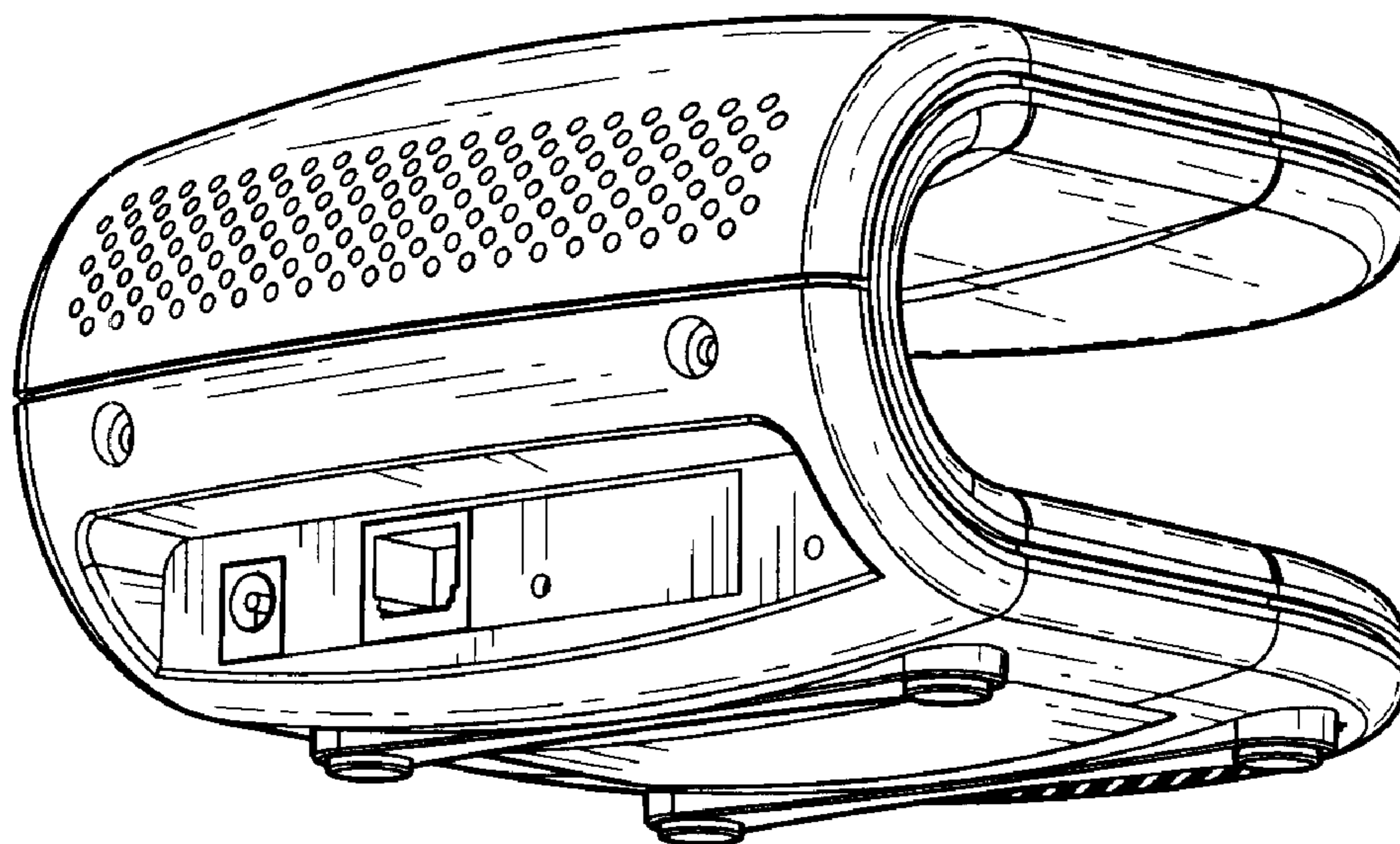


FIG. 2

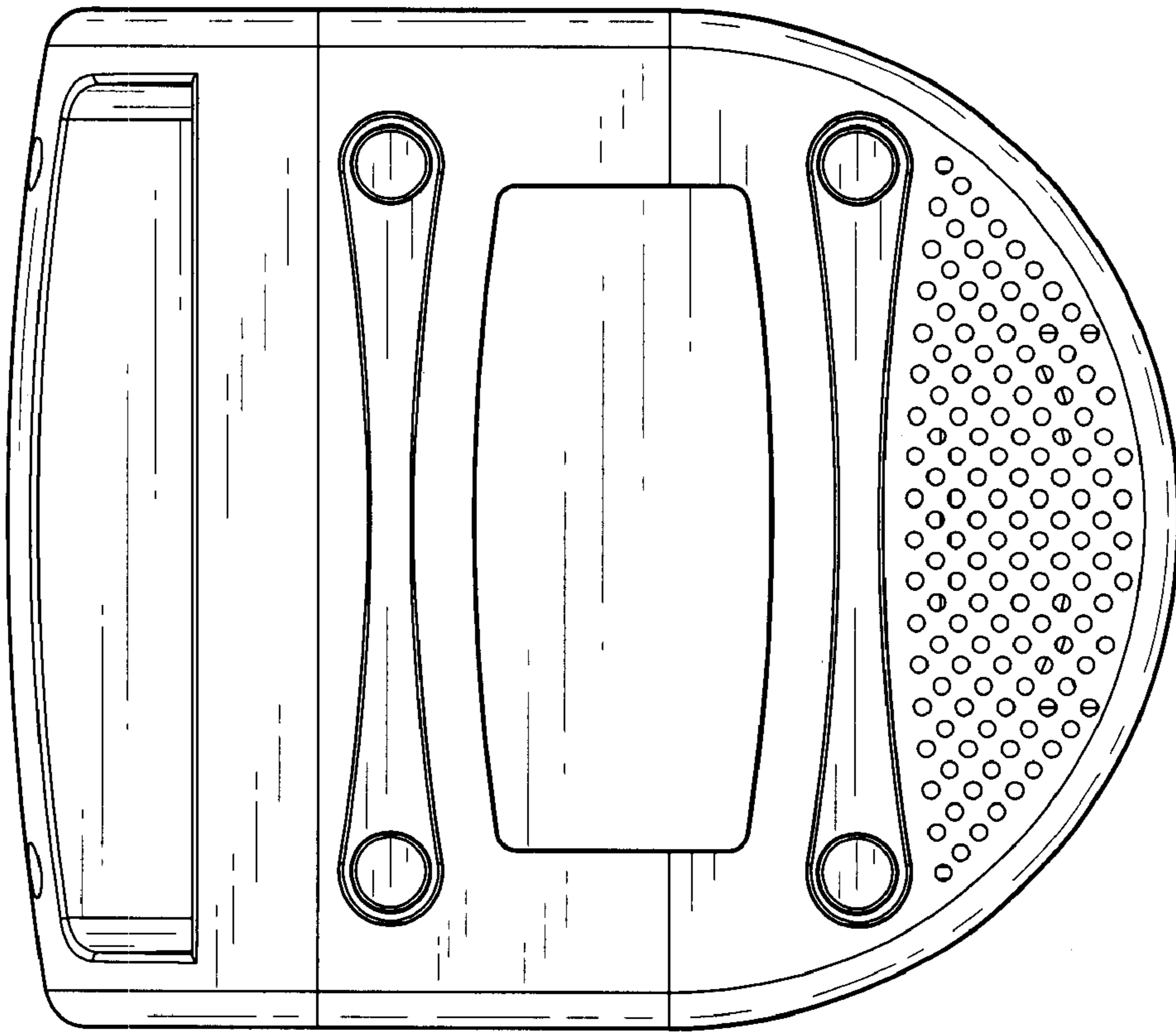


FIG. 4

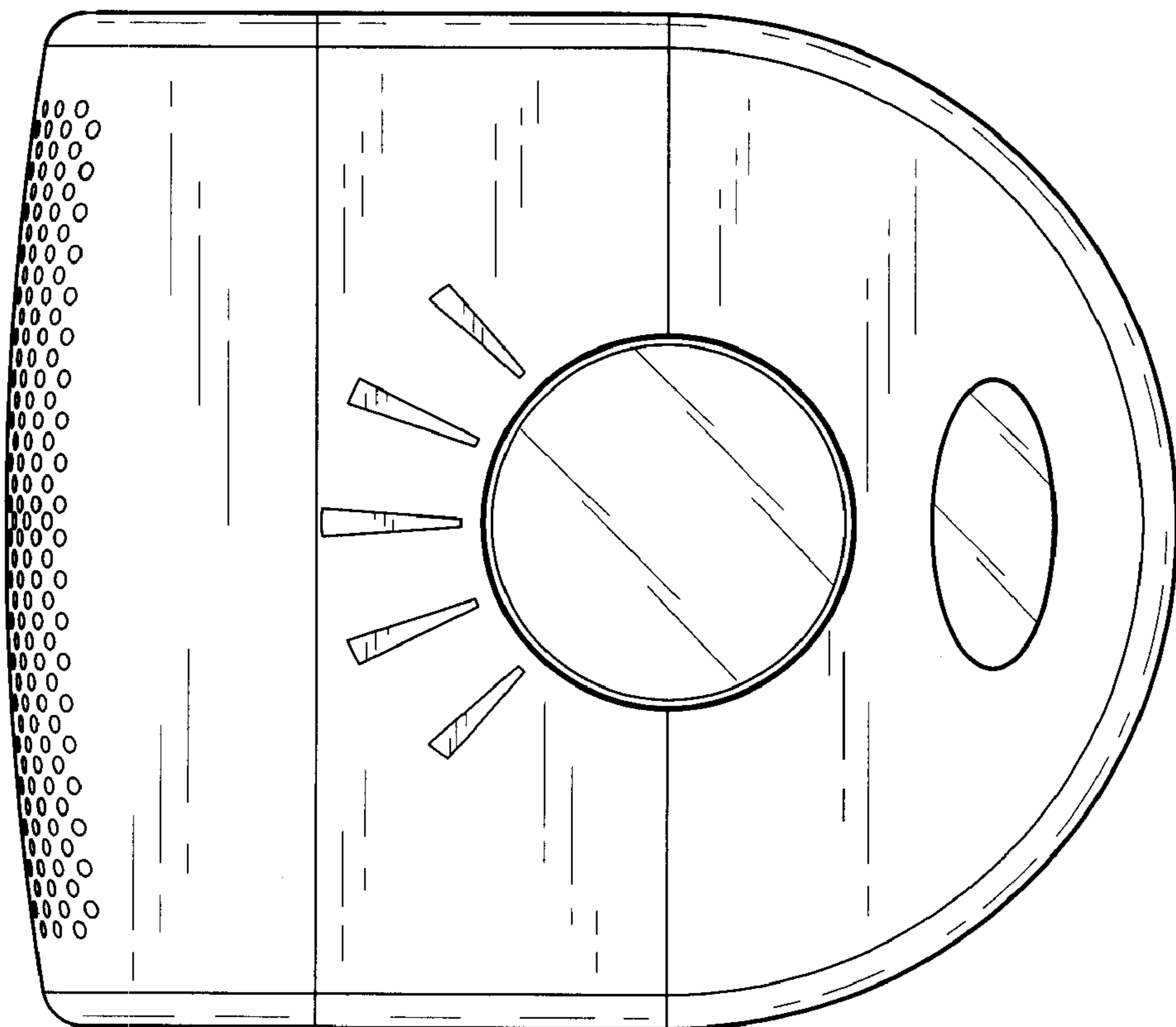


FIG. 3

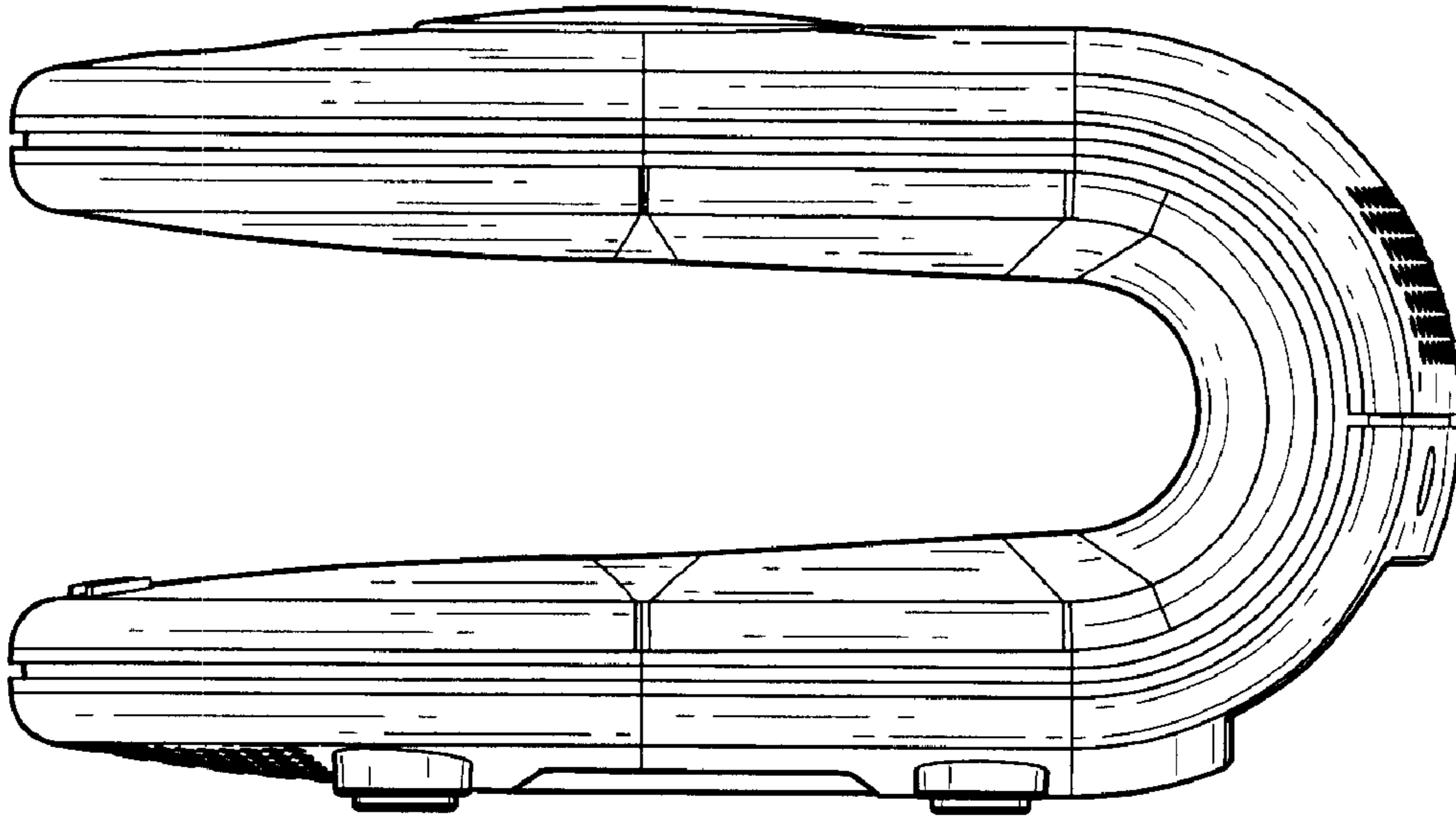


FIG. 6

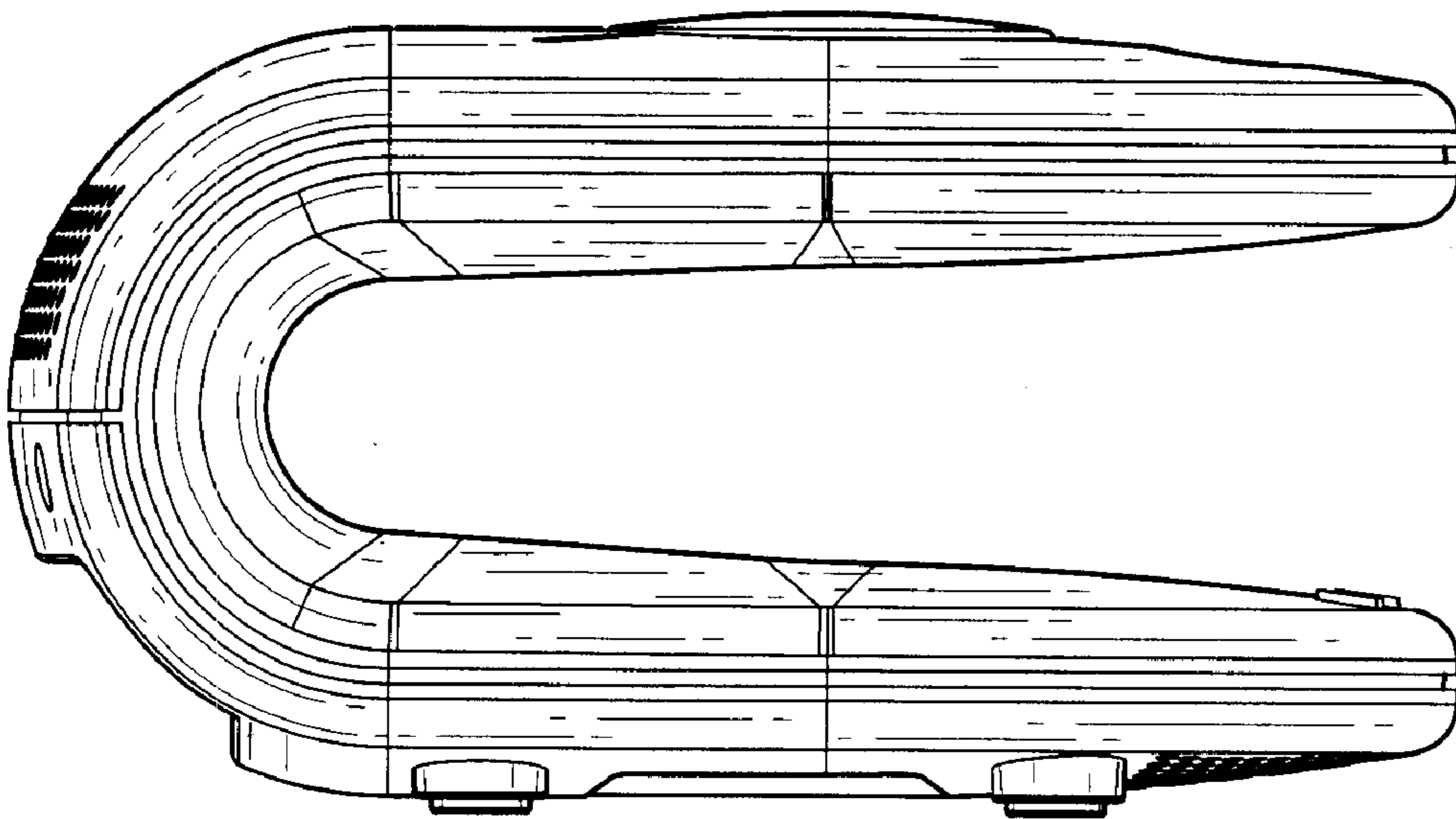


FIG. 5

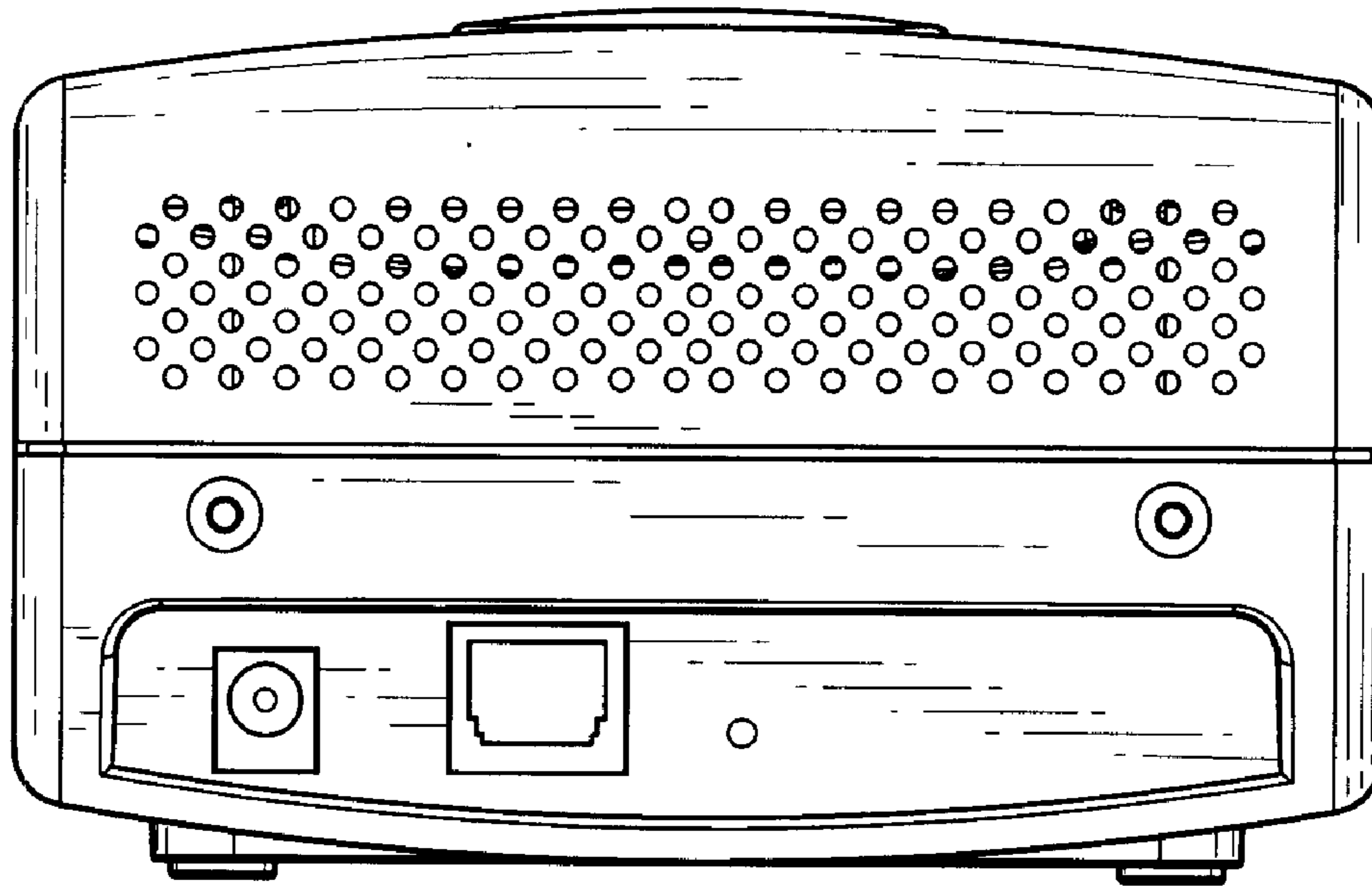


FIG. 7

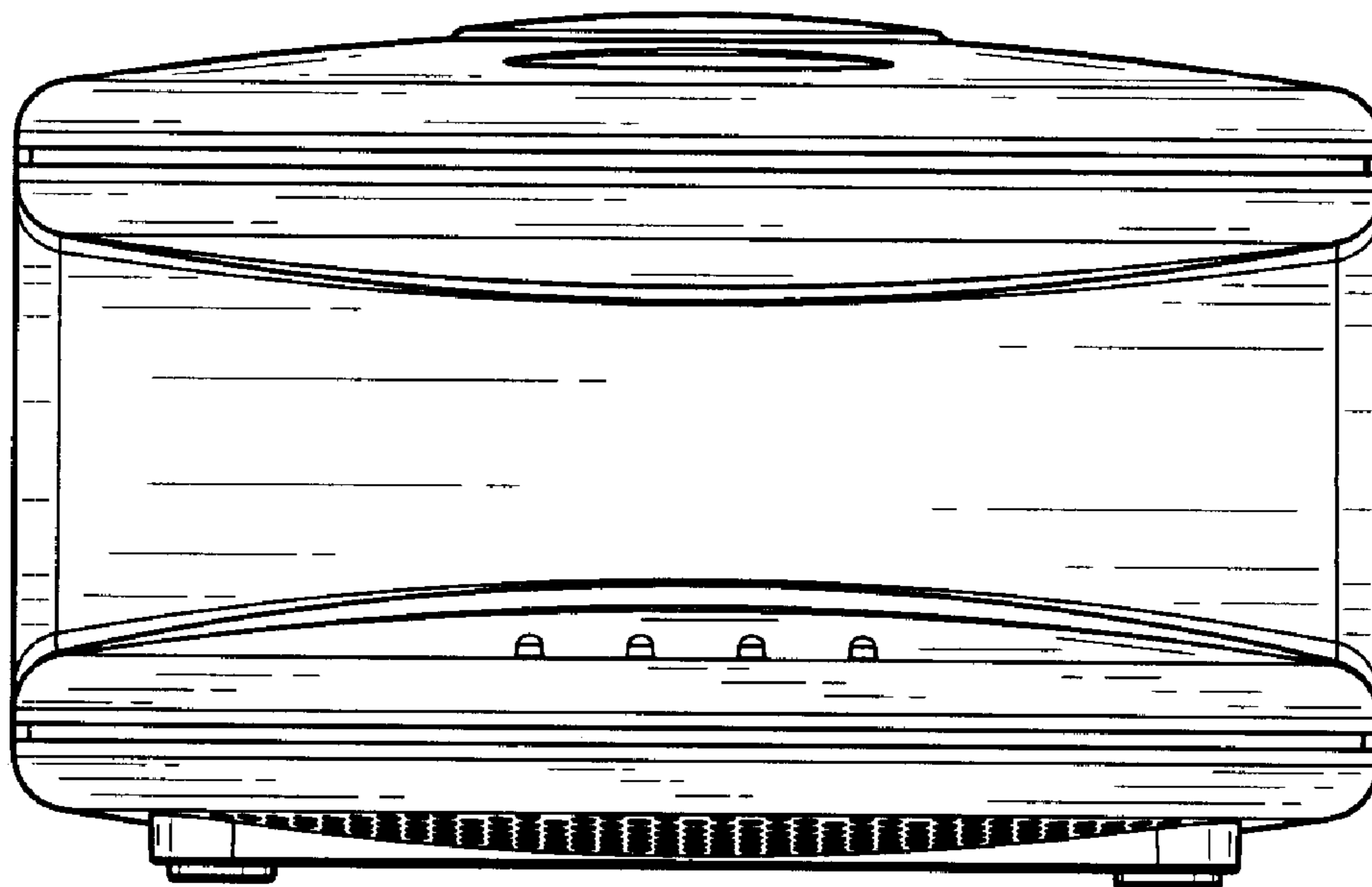


FIG. 8