



US00D531997S

(12) **United States Design Patent**
Choder et al.

(10) **Patent No.:** **US D531,997 S**

(45) **Date of Patent:** **** Nov. 14, 2006**

(54) **RADIO FREQUENCY FIELD PROBE**

(75) Inventors: **Jerome Choder**, Huntington Valley, PA (US); **Jason Galluppi**, Kintnersville, PA (US); **George Barth**, East Greenville, PA (US)

(73) Assignee: **Amplifier Research Corporation**, Souderton, PA (US)

(**) Term: **14 Years**

(21) Appl. No.: **29/243,149**

(22) Filed: **Nov. 18, 2005**

(51) **LOC (8) Cl.** **14-03**

(52) **U.S. Cl.** **D14/233**

(58) **Field of Classification Search** D14/137, D14/138, 230-238, 299, 358; D12/42, 43; 343/700 R-705, 871-908, 795, 840, 711-713, 343/819, 846; 455/90.2, 90.3, 91, 128, 269, 455/344, 347, 562.1

See application file for complete search history.

(56) **References Cited**

U.S. PATENT DOCUMENTS

D145,116 S * 7/1946 Brown D14/233

D158,233 S * 4/1950 Trowbridge D14/235
2,509,903 A * 5/1950 Brode et al. 102/214
D194,748 S * 3/1963 Rogers D14/230
3,192,529 A * 6/1965 Chatelain 343/844
D219,106 S * 11/1970 Greene D14/230
D253,534 S * 11/1979 Greene D14/230
D298,430 S * 11/1988 Shimazaki D14/234
D402,991 S * 12/1998 Mosser D14/230
D445,050 S 7/2001 Tait

* cited by examiner

Primary Examiner—Robert A. Delehanty

Assistant Examiner—John Windmuller

(74) *Attorney, Agent, or Firm*—Howson & Howson

(57) **CLAIM**

The ornamental design for a radio frequency field probe, as shown and described.

DESCRIPTION

FIG. 1 is a front elevational view of a radio frequency field probe showing our new design;

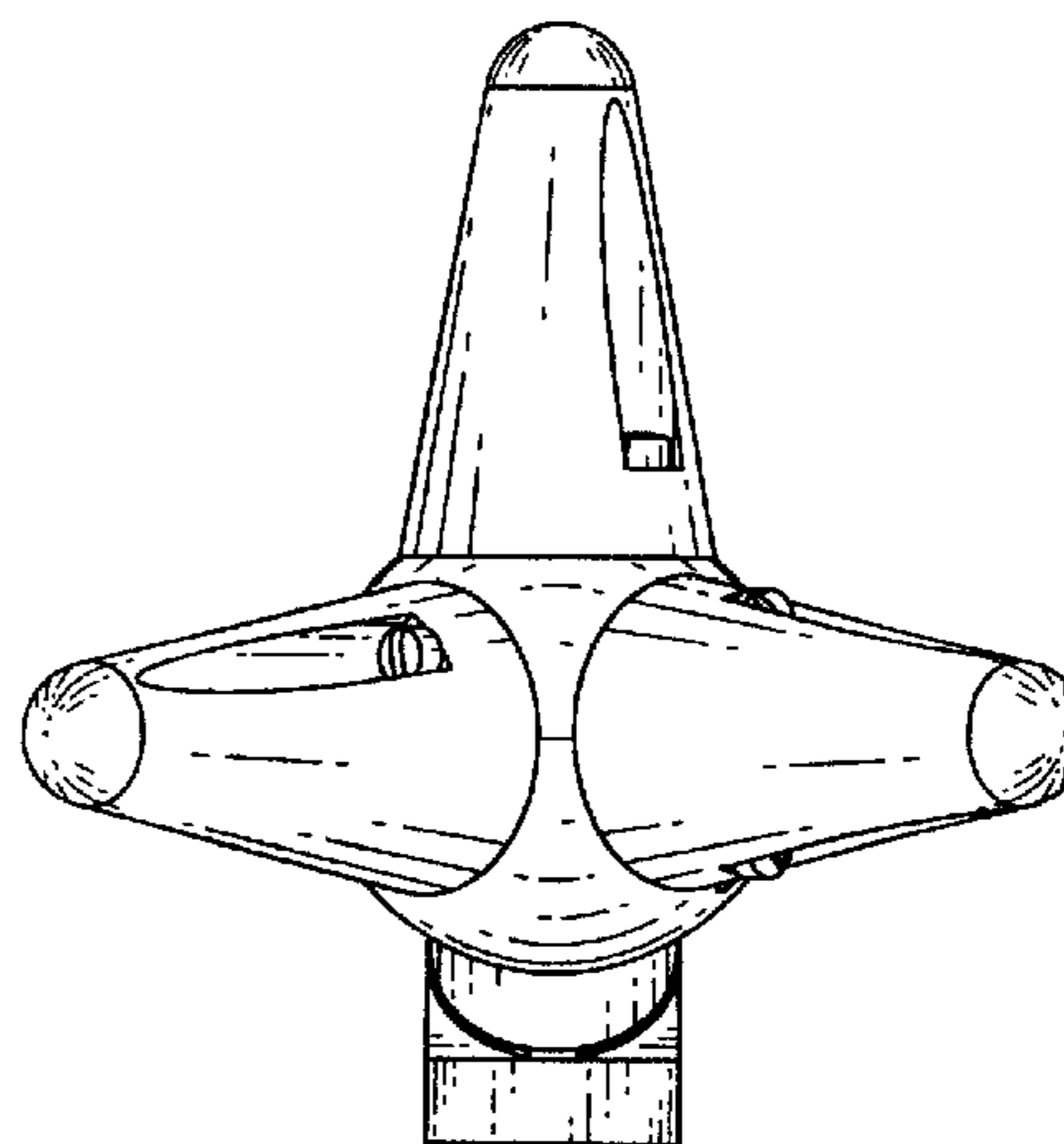
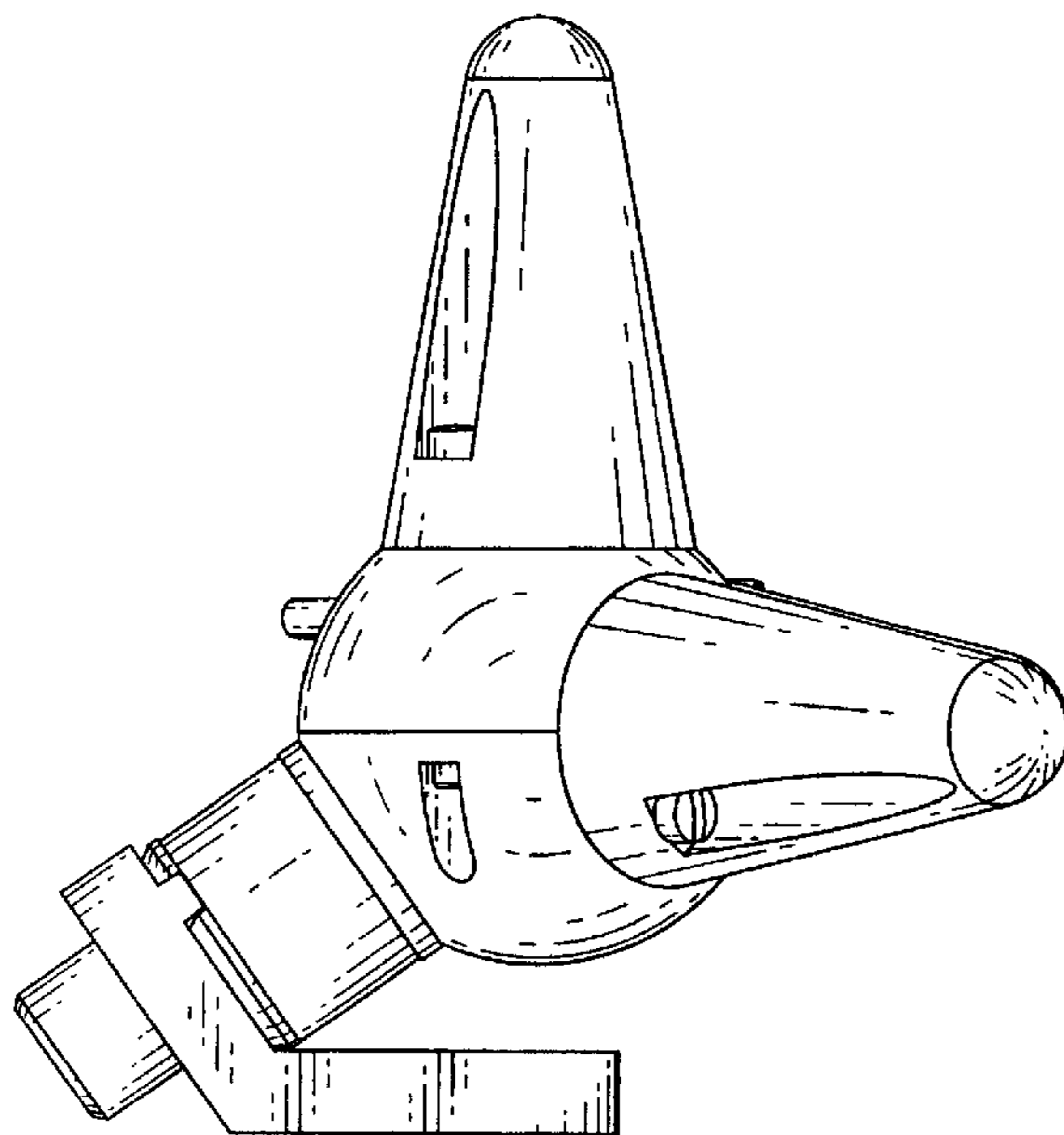
FIG. 2 is a top plan view thereof;

FIG. 3 is a bottom plan view thereof

FIG. 4 is a left side elevational view thereof; and,

FIG. 5 is a right side elevational view thereof.

1 Claim, 3 Drawing Sheets



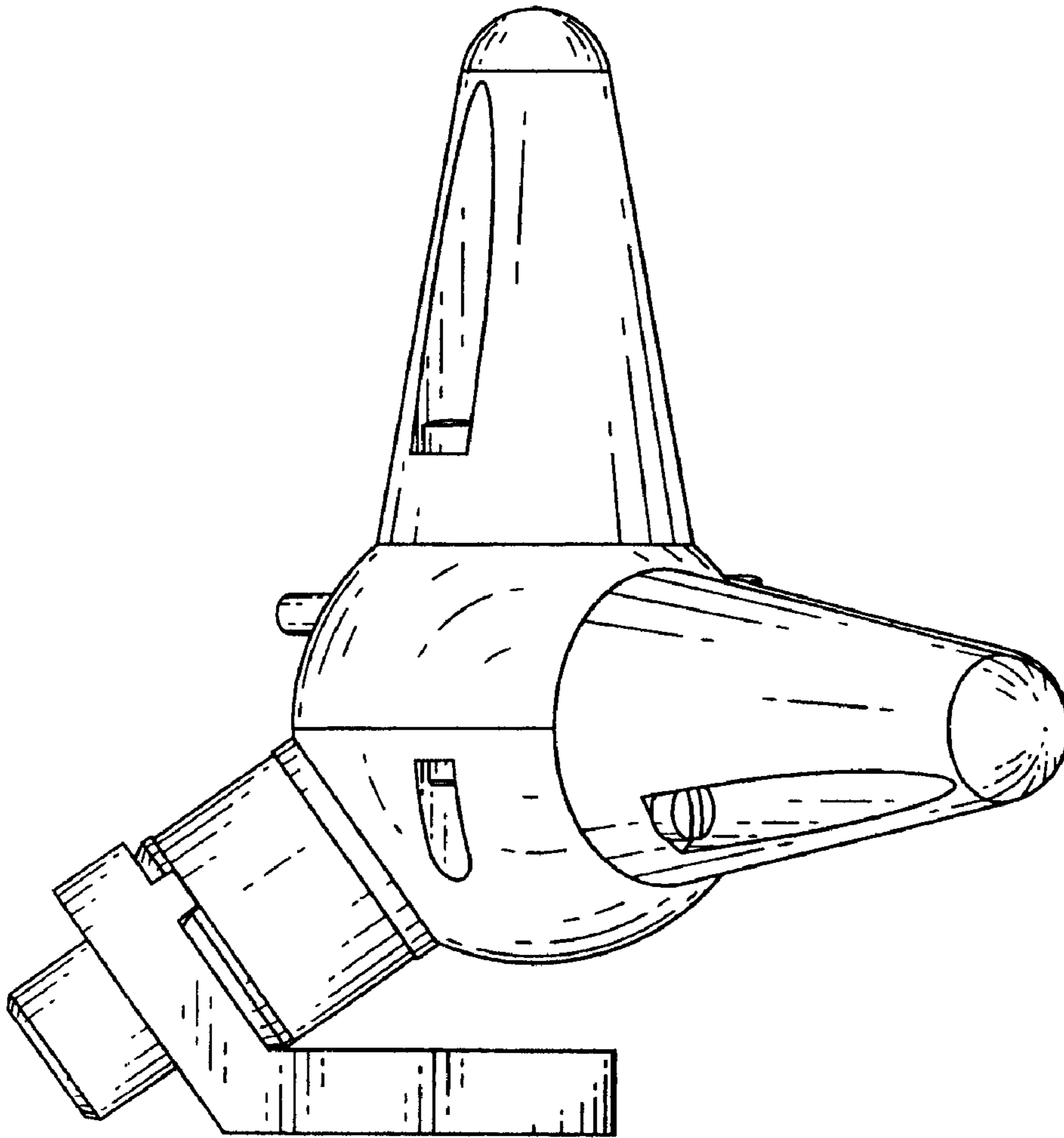


Fig. 1

Fig. 2

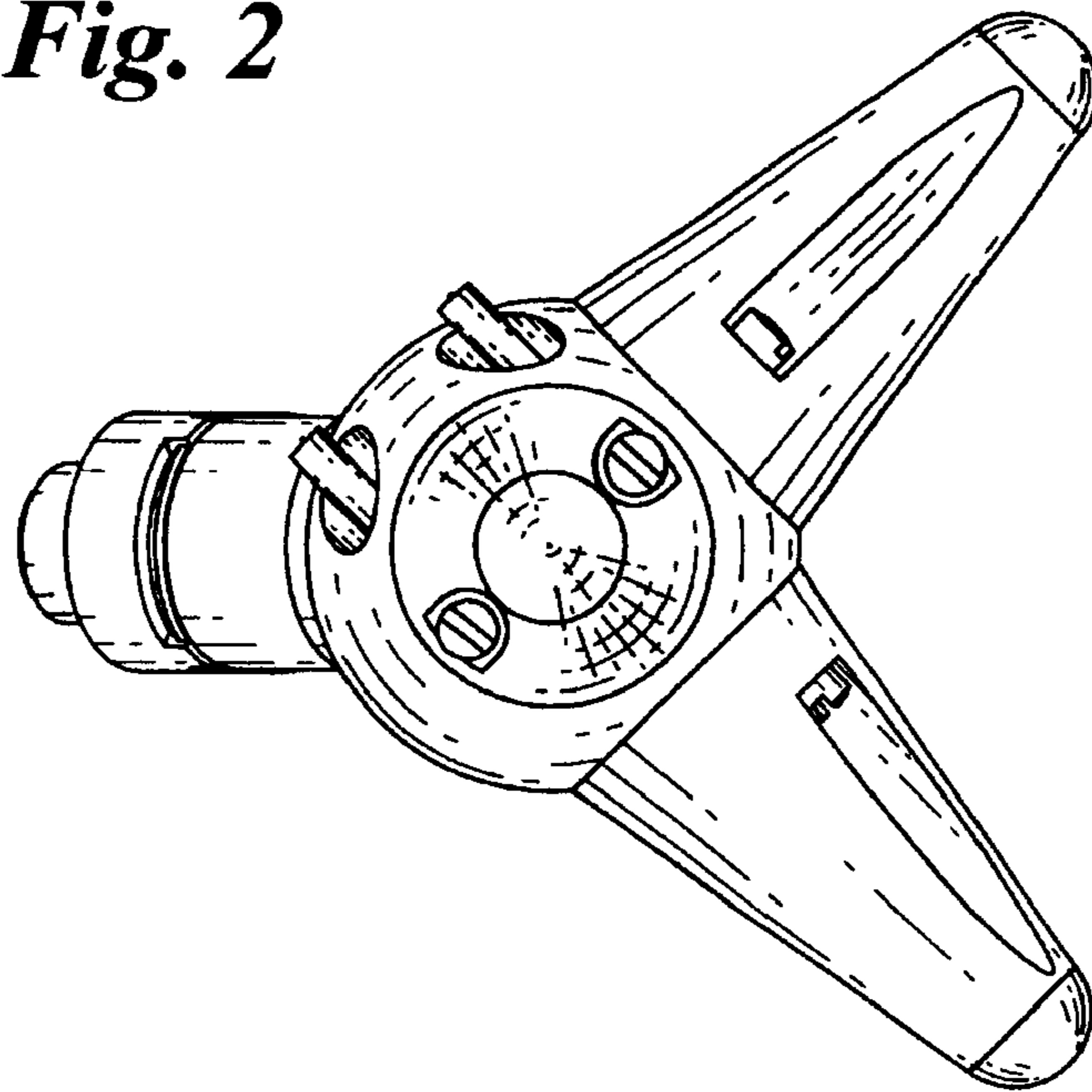


Fig. 3

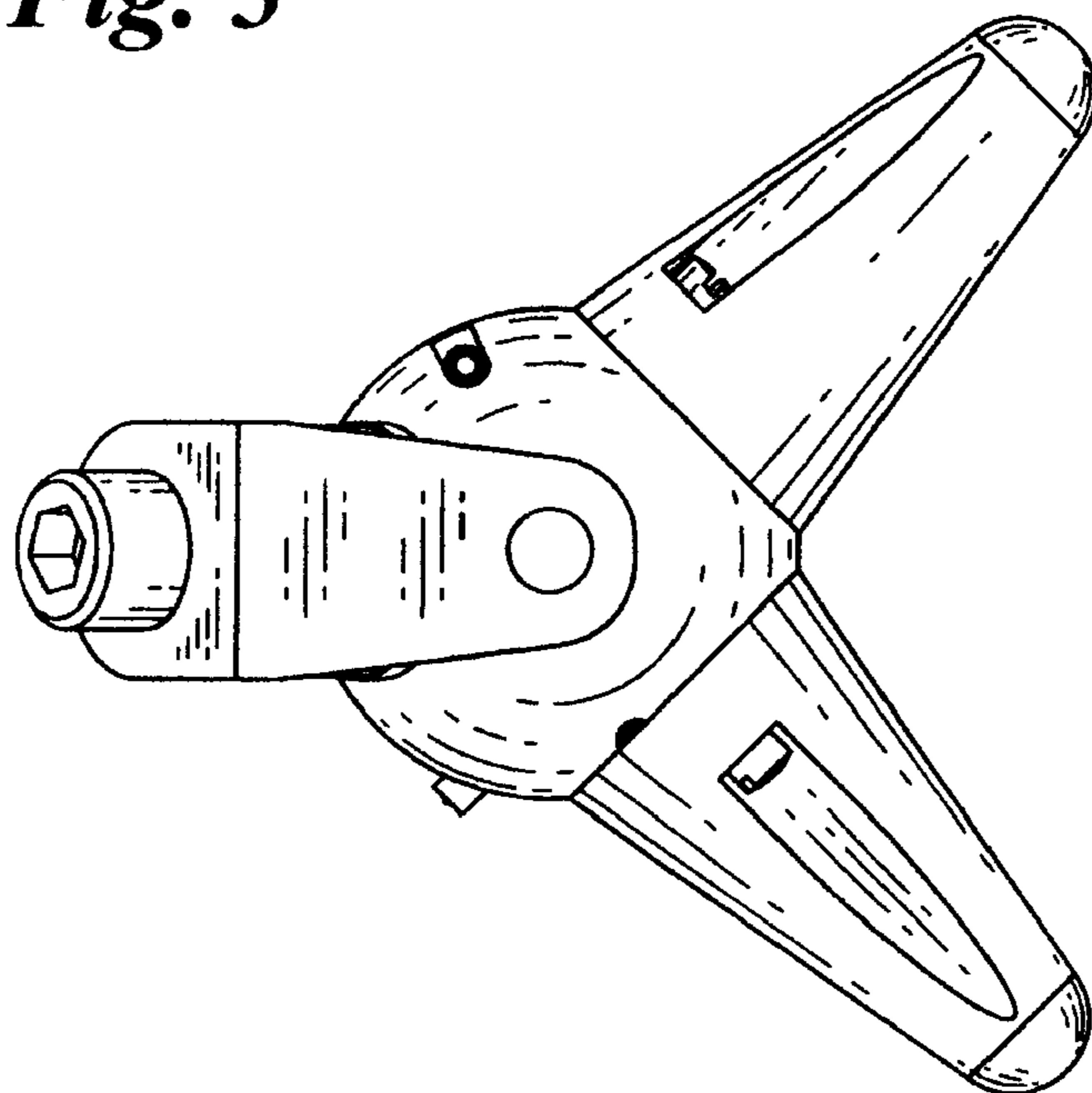


Fig. 4

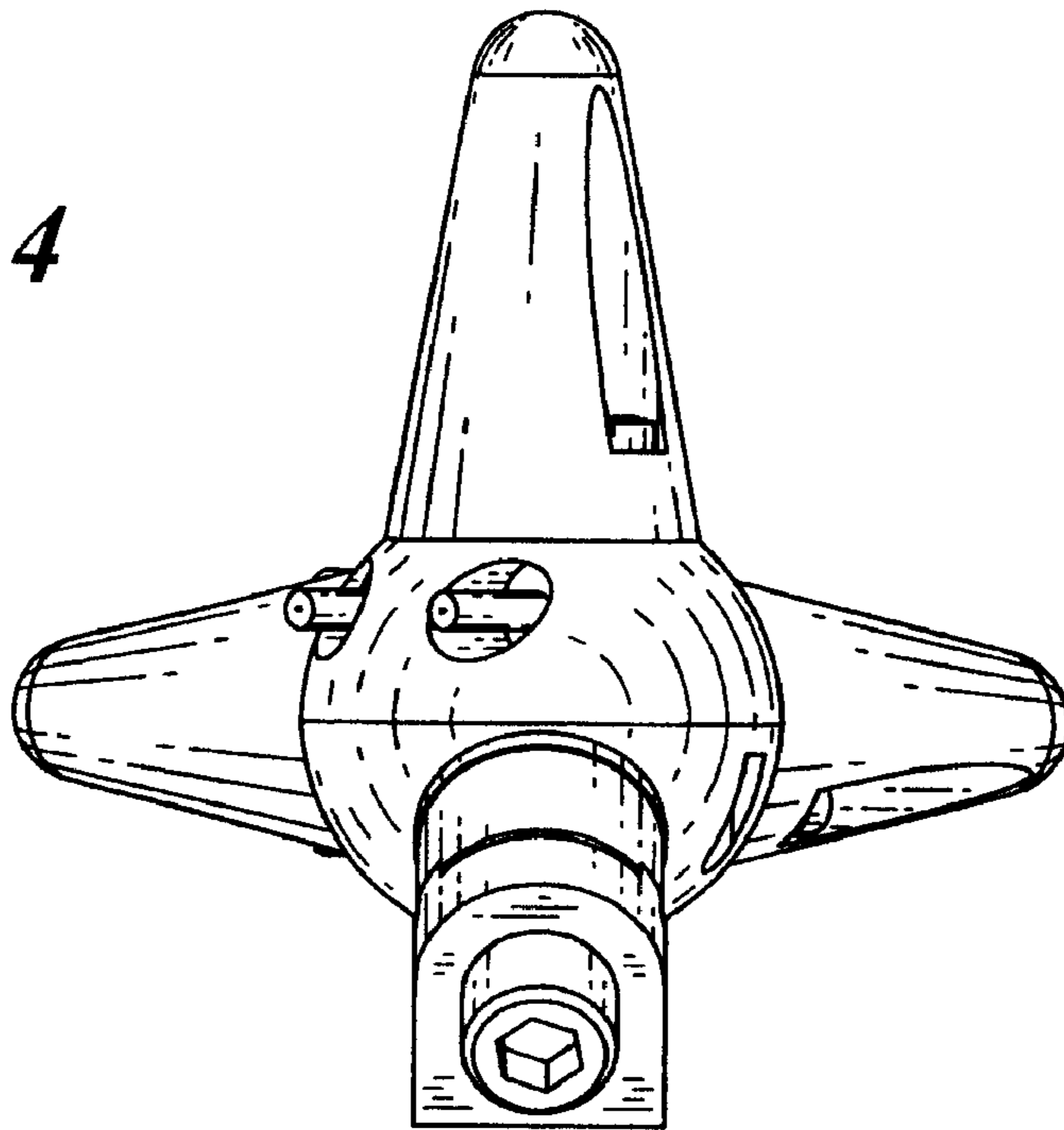


Fig. 5

