



US00D531996S

(12) **United States Design Patent** (10) **Patent No.:** **US D531,996 S**
Cislo (45) **Date of Patent:** **** Nov. 14, 2006**

(54) **LOW VISIBILITY AERODYNAMIC ANTENNA HOUSING**
(75) Inventor: **Donald M. Cislo**, Glendale Heights, IL (US)
(73) Assignee: **Antenex, Inc.**, Glendale Heights, IL (US)
(**) Term: **14 Years**
(21) Appl. No.: **29/232,876**
(22) Filed: **Jun. 25, 2005**
(51) **LOC (8) Cl.** **14-03**
(52) **U.S. Cl.** **D14/230**
(58) **Field of Classification Search** D14/137, D14/138, 230-238, 299, 358; D12/42, 43; 343/700 R-705, 871-908, 795, 840, 711-713, 343/819, 846; 455/90.2, 90.3, 91, 128, 269, 455/344, 347, 562.1
See application file for complete search history.

D443,263 S 6/2001 Strand et al. D14/230
D461,796 S 8/2002 Boyer D14/230
D465,480 S 11/2002 Boyer D14/230
D470,131 S 2/2003 Noro et al. D14/230
D470,481 S 2/2003 Ikeda D14/230
D472,892 S 4/2003 Tourres D14/230
D480,712 S 10/2003 Noro D14/230
D481,028 S 10/2003 Wu D14/230
D482,350 S 11/2003 Noro et al. D14/230
D489,712 S 5/2004 Nagatomi D14/230
D491,926 S 6/2004 Tai et al. D14/230
D493,447 S 7/2004 Noro et al. D14/230
6,762,727 B1 7/2004 Rochford et al. 343/713
D519,991 S * 5/2006 Chapman D14/230
2004/0183734 A1 9/2004 Noro et al. 343/713

* cited by examiner

Primary Examiner—Catherine R. Oliver
Assistant Examiner—John Windmuller
(74) *Attorney, Agent, or Firm*—Cislo & Thomas, LLP

(57) **CLAIM**

I claim the ornamental design for a low visibility aerodynamic antenna housing, as shown and described herein.

DESCRIPTION

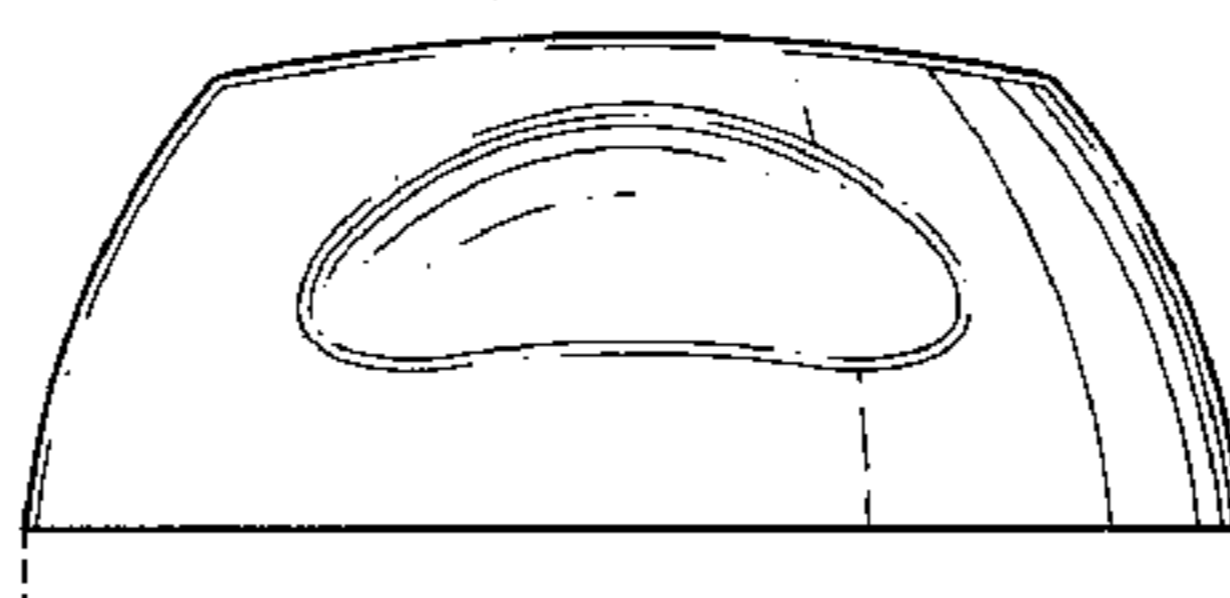
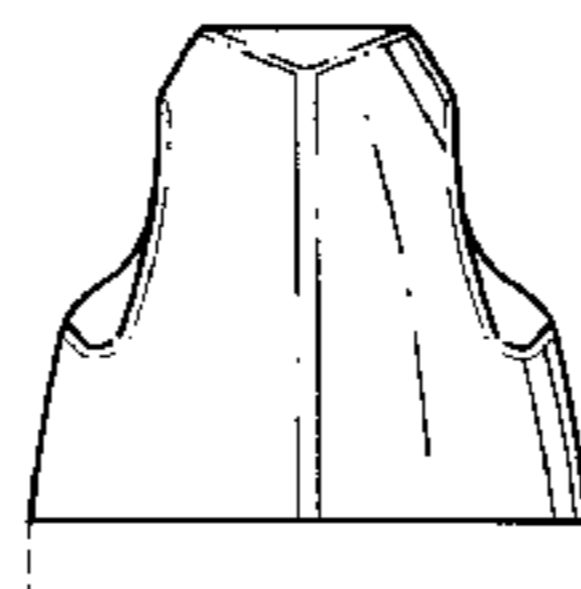
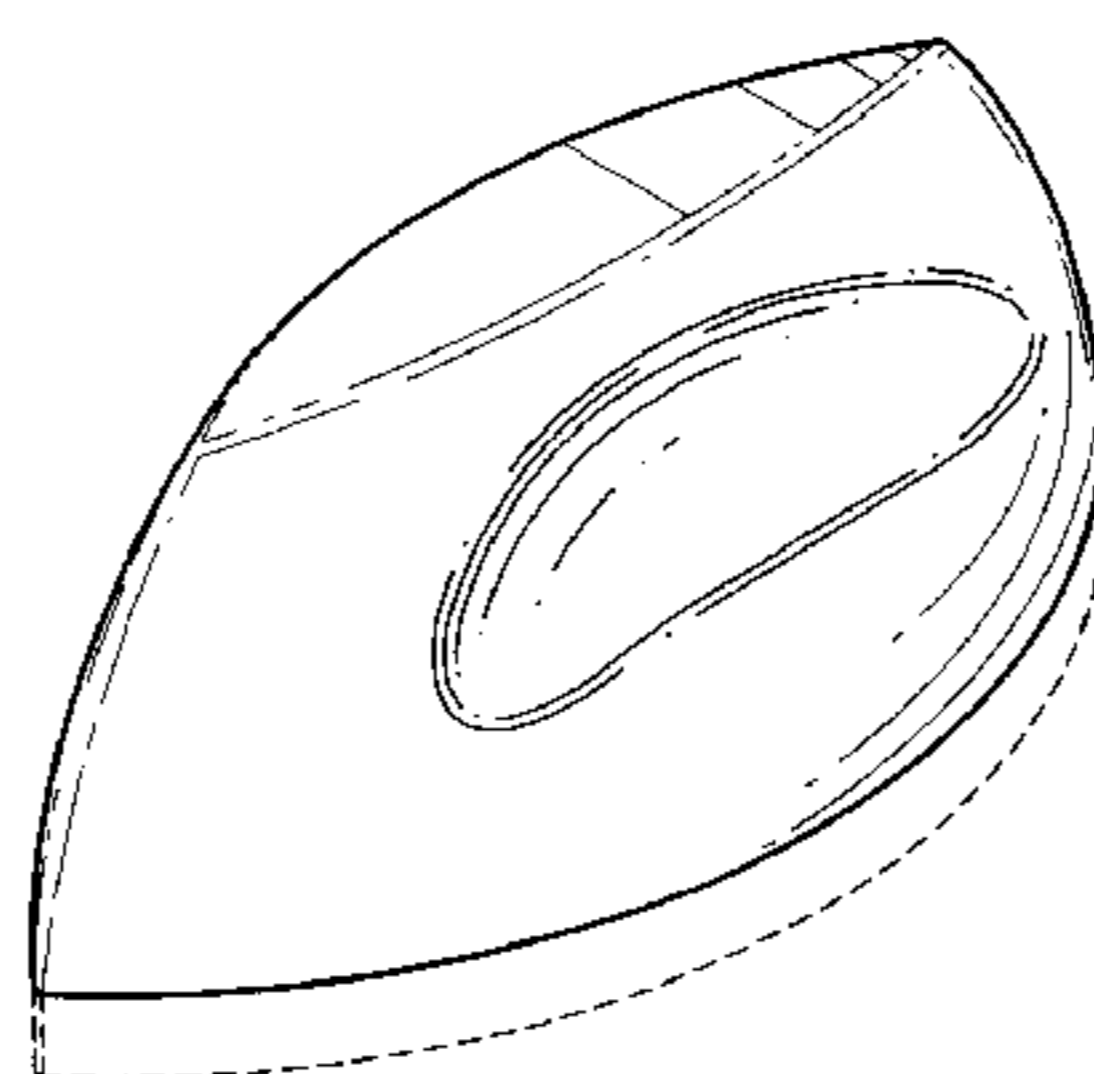
FIG. 1 is a left front perspective view of a low visibility aerodynamic antenna housing showing my new design; FIG. 2 is a front elevational view thereof; FIG. 3 is a left side elevational view thereof, the right side elevational view being a mirror image thereof; and, FIG. 4 is a top plan view thereof. The broken line portions of the disclosure are for illustrative purposes only and form no part of the claimed design.

1 Claim, 2 Drawing Sheets

(56) **References Cited**

U.S. PATENT DOCUMENTS

2,473,141 A * 6/1949 Friedberg 174/153 A
D157,090 S 1/1950 Schmidt D26/14
D176,495 S * 1/1956 Berdass D14/238
D356,314 S 3/1995 Rich et al. D14/236
D357,683 S 4/1995 Cline et al. D14/230
D388,095 S * 12/1997 Niiijima et al. D14/230
D414,773 S * 10/1999 Heiligenstein et al. D14/238
D418,840 S 1/2000 Cota et al. D14/230
6,023,245 A 2/2000 Gomez et al. 343/725
D429,720 S 8/2000 Strand D14/230



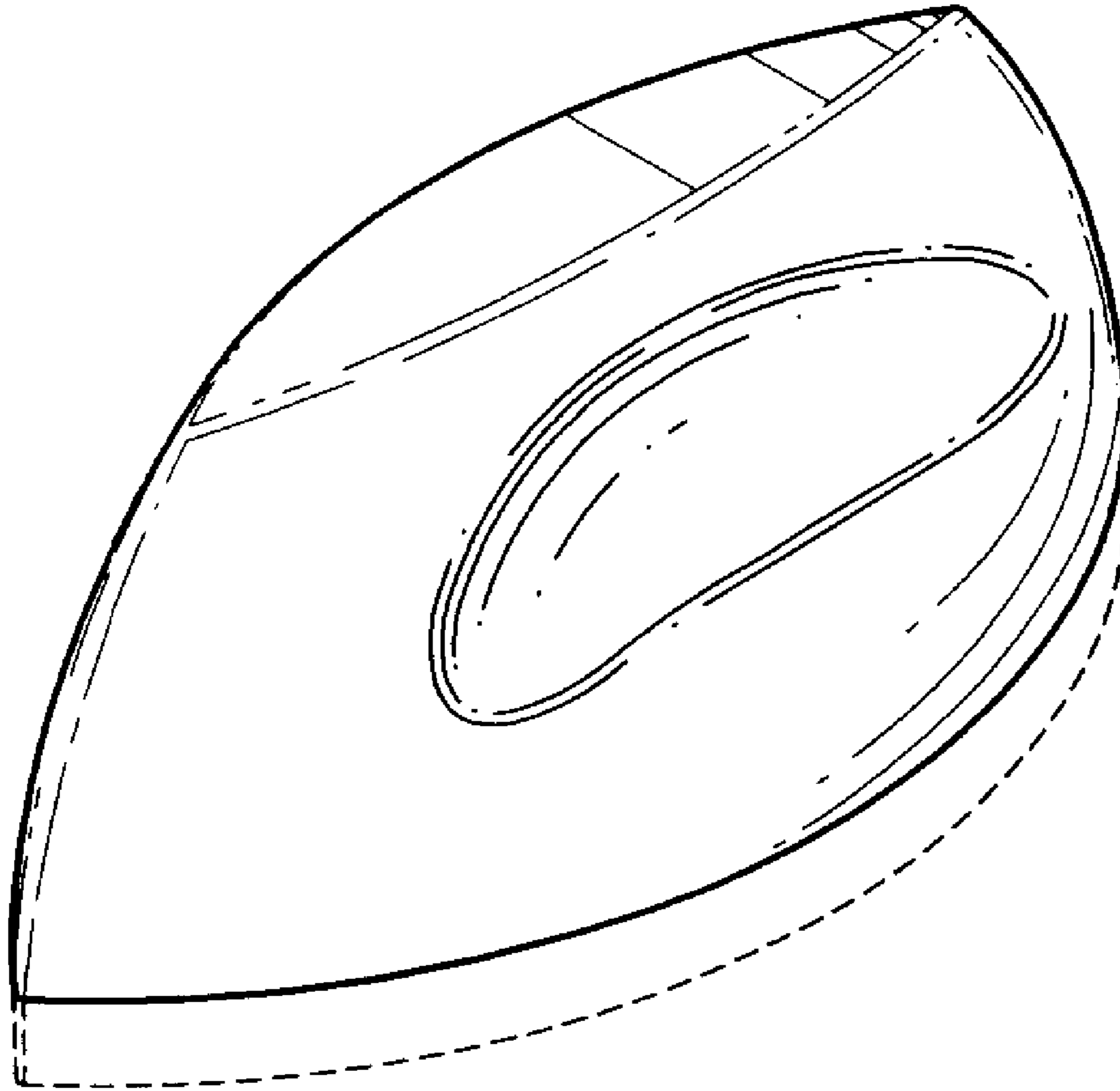


FIG. 1

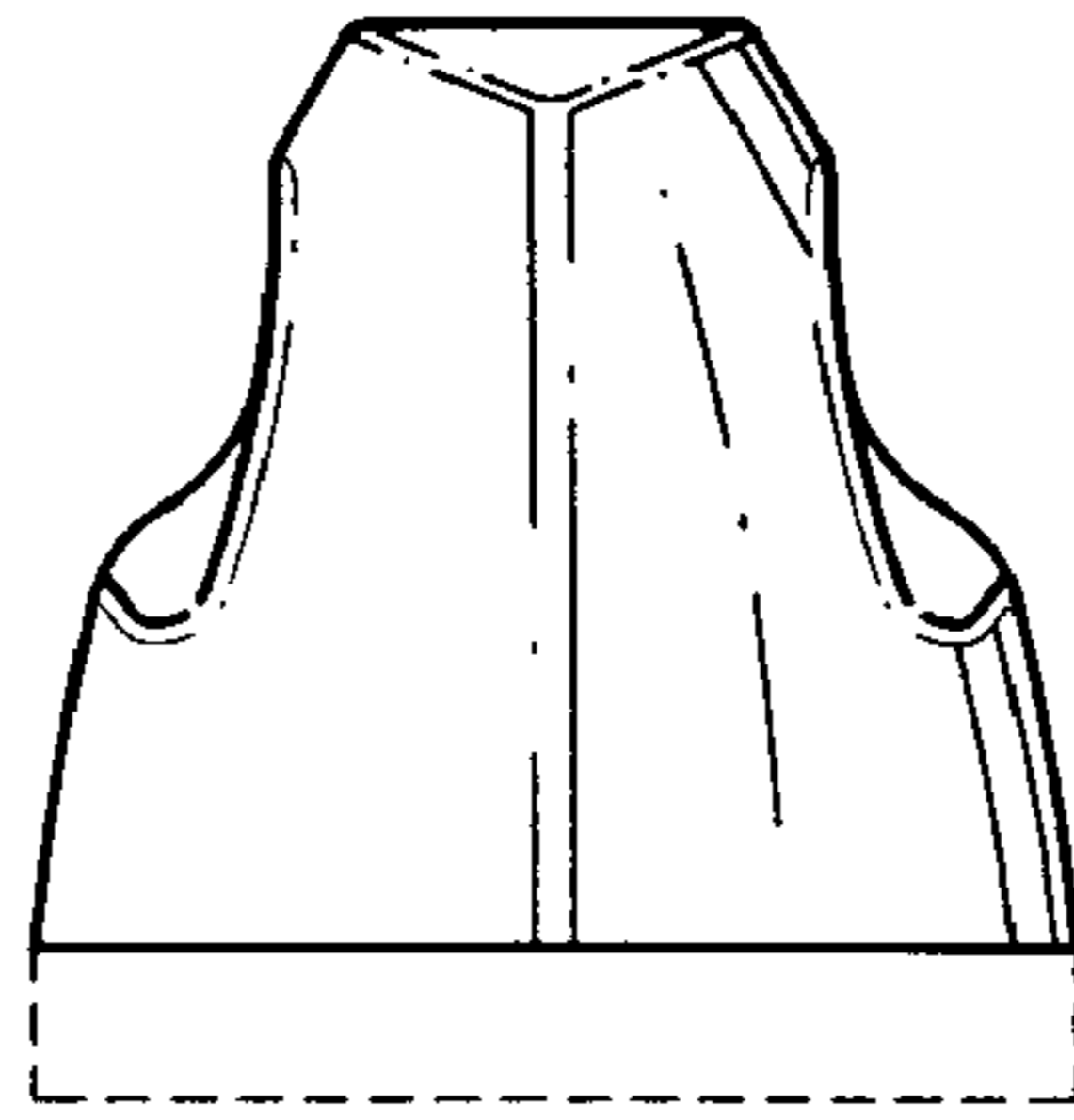


FIG. 2

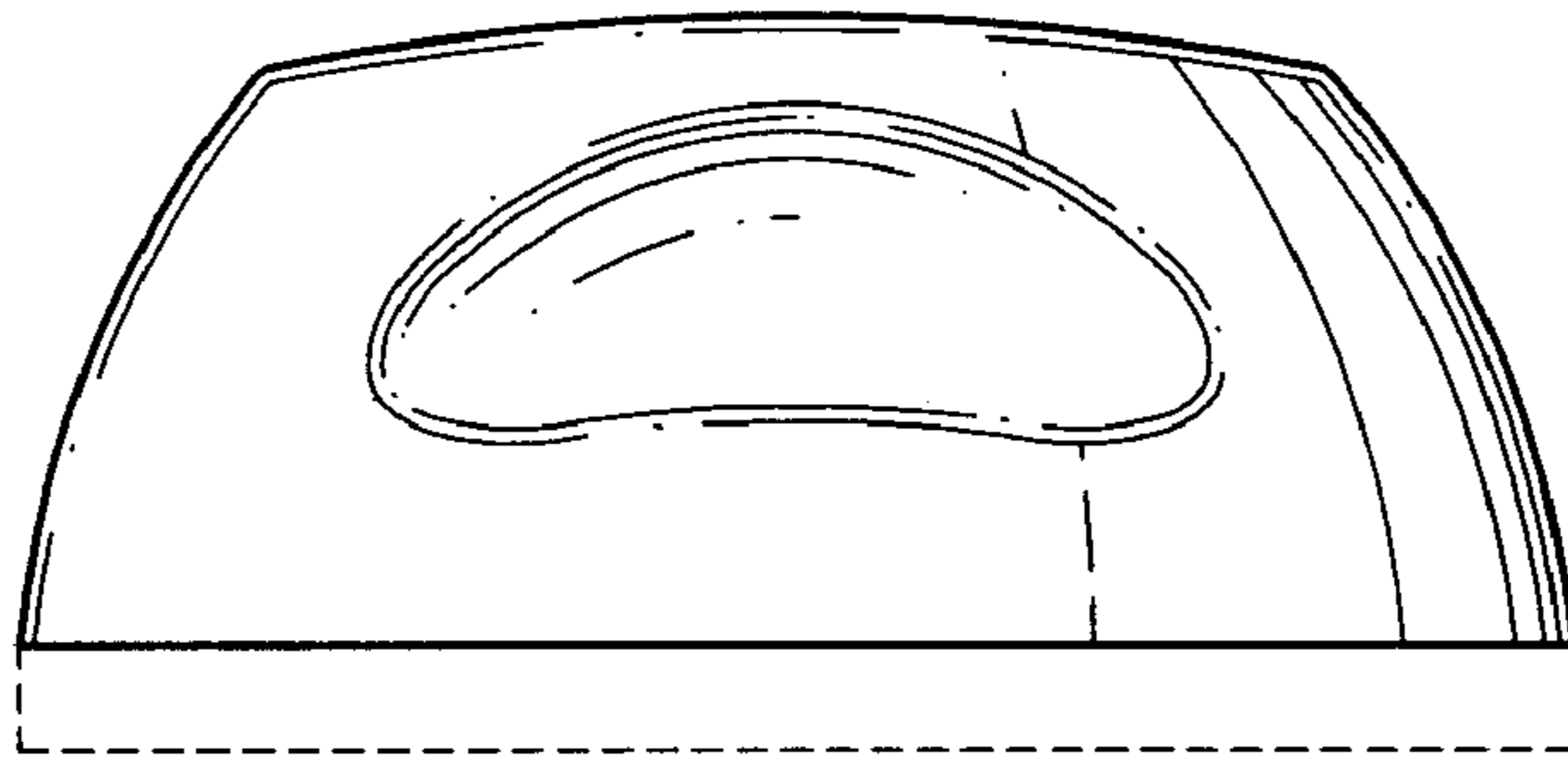


FIG. 3

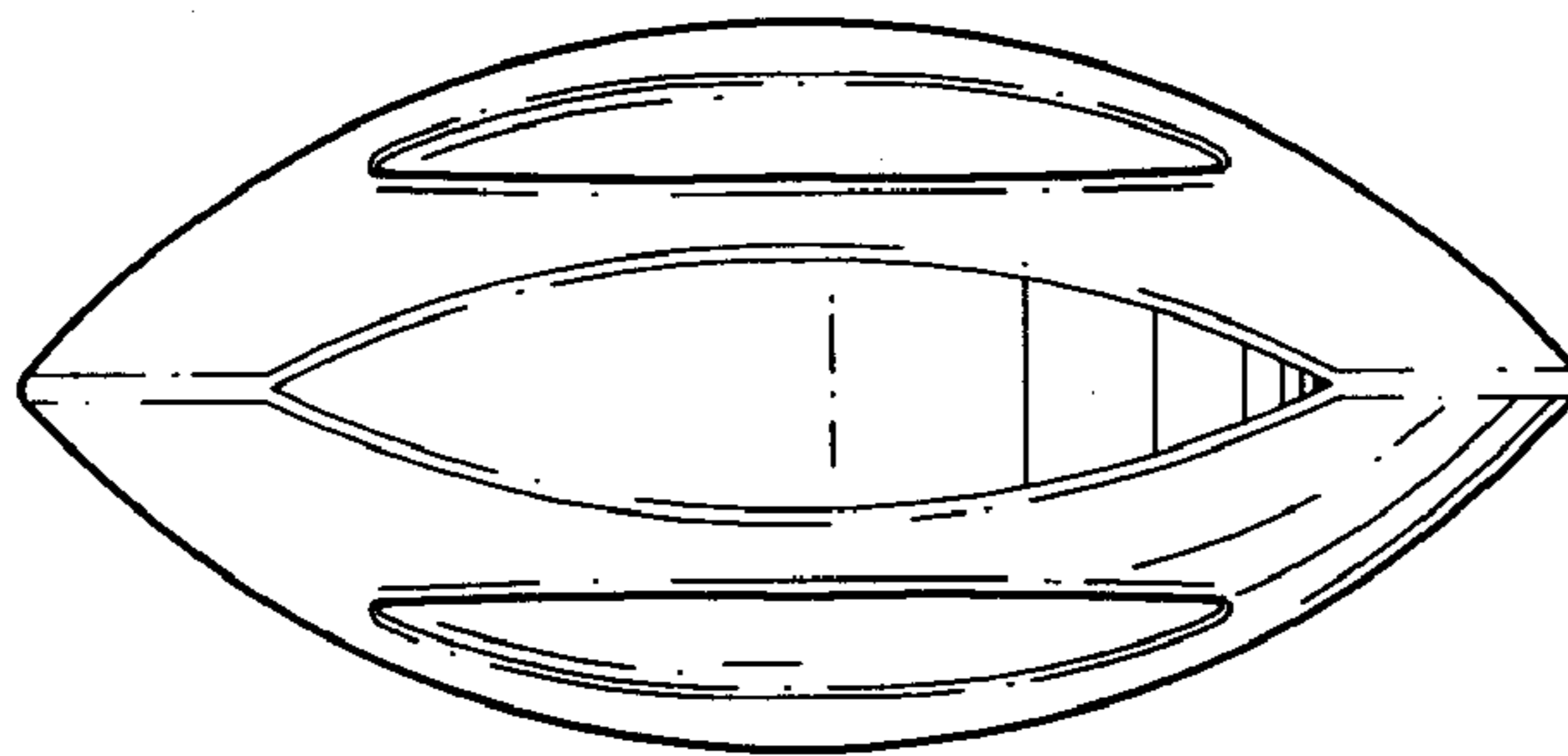


FIG. 4