



US00D531995S

(12) **United States Design Patent** (10) **Patent No.:** **US D531,995 S**
Shinkawa et al. (45) **Date of Patent:** **** Nov. 14, 2006**

(54) **ANTENNA ELEMENT**

D483,029 S * 12/2003 Yamamoto et al. D14/230
7,042,399 B1 * 5/2006 Noro et al. 343/700 MS

(75) Inventors: **Tomohiro Shinkawa**, Tama (JP);
Toshihiko Inaba, Katagami (JP);
Junichi Noro, Katagami (JP); **Toshiaki Aizawa**, Katagami (JP)

OTHER PUBLICATIONS

U.S. Appl. No. 29/230,806, filed May 27, 2005, Kanenari Kusanagi, et al.
U.S. Appl. No. 29/230,808, filed May 27, 2005, Kanenari Kusanagi, et al.
U.S. Appl. No. 29/230,800, filed May 27, 2005, Toshiaki Aizawa, et al.

(73) Assignee: **Mitsumi Electric Co., Ltd.**, Tokyo (JP)

(**) Term: **14 Years**

* cited by examiner

(21) Appl. No.: **29/230,807**

Primary Examiner—Robert A. Delehanty

(22) Filed: **May 27, 2005**

Assistant Examiner—John Windmuller

(30) **Foreign Application Priority Data**

(74) *Attorney, Agent, or Firm*—Sughrue Mion, PLLC

Feb. 18, 2005 (JP) 2005-004490

(57) **CLAIM**

(51) **LOC (8) Cl.** **14-03**

The ornamental design for an antenna element, as shown.

(52) **U.S. Cl.** **D14/230**

(58) **Field of Classification Search** D14/137,
D14/138, 230–238, 299, 358; D12/42, 43;
343/700 R–705, 871–908, 795, 840, 711–713,
343/819, 846; 455/90.2, 90.3, 91, 128, 269,
455/344, 347, 562.1

DESCRIPTION

See application file for complete search history.

FIG. 1 is a perspective view of the top, front and right side of an antenna element showing our new design;

FIG. 2 is a perspective view of the bottom, rear and left side thereof;

FIG. 3 is a front elevational view thereof;

FIG. 4 is a rear elevational view thereof;

FIG. 5 is a right side elevational view thereof;

FIG. 6 is a left side elevational view thereof;

FIG. 7 is a top plan view thereof; and,

FIG. 8 is a bottom plan view thereof.

(56) **References Cited**

U.S. PATENT DOCUMENTS

D318,673 S * 7/1991 Terk D14/230
D339,352 S * 9/1993 Giles et al. D14/232
D440,960 S * 4/2001 Barber D14/230
D481,029 S * 10/2003 Noro D14/230

1 Claim, 3 Drawing Sheets

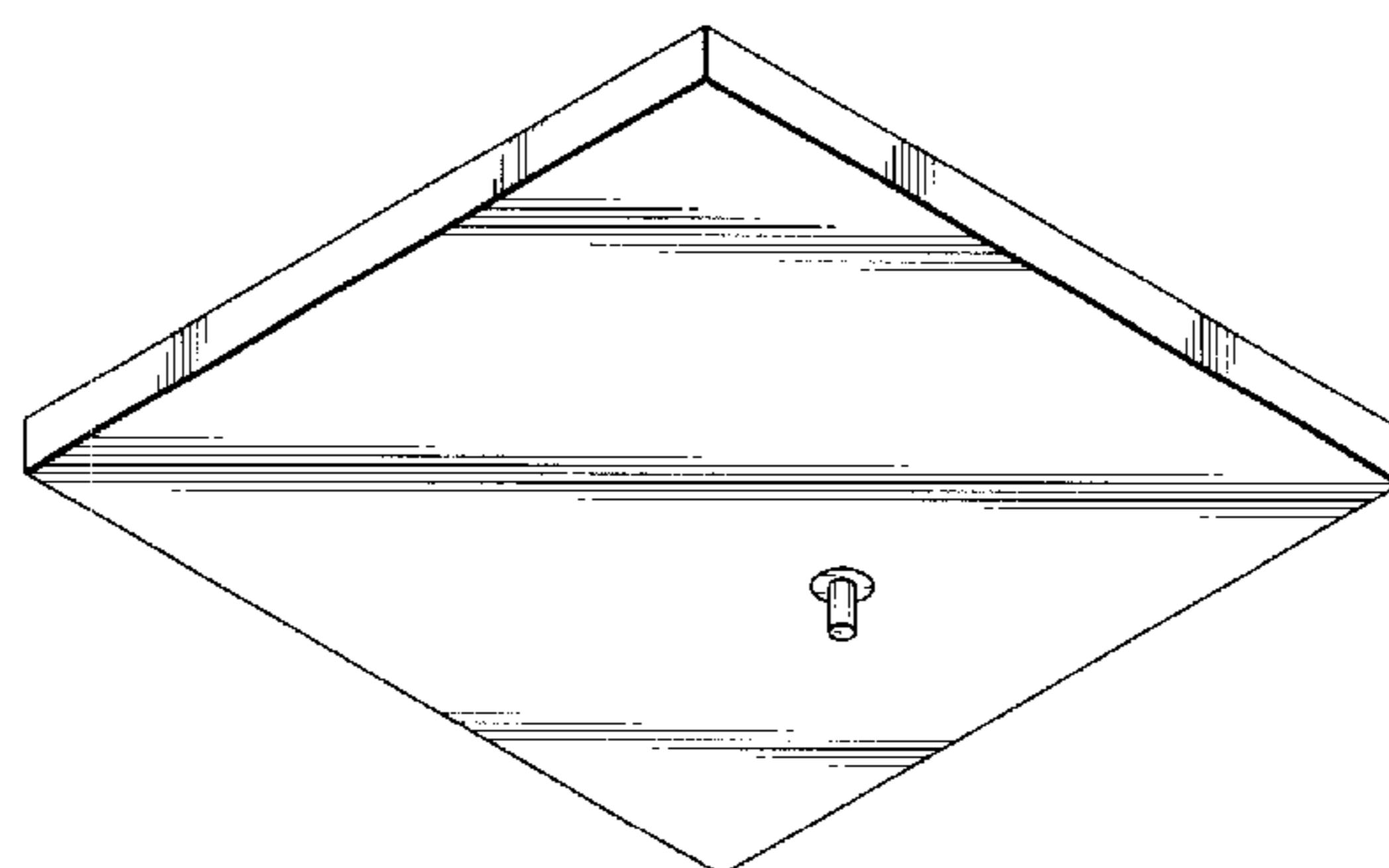
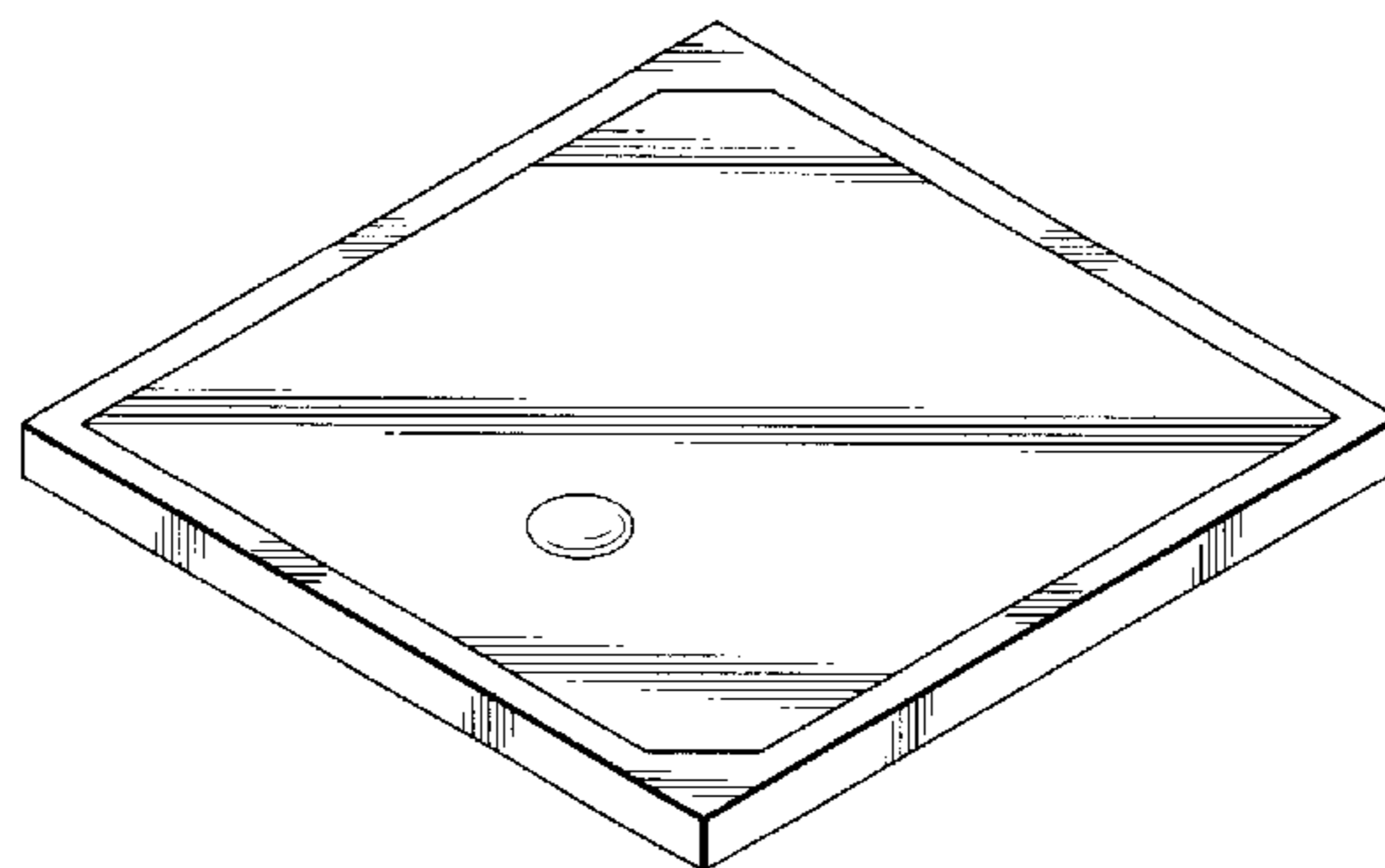


FIG.1

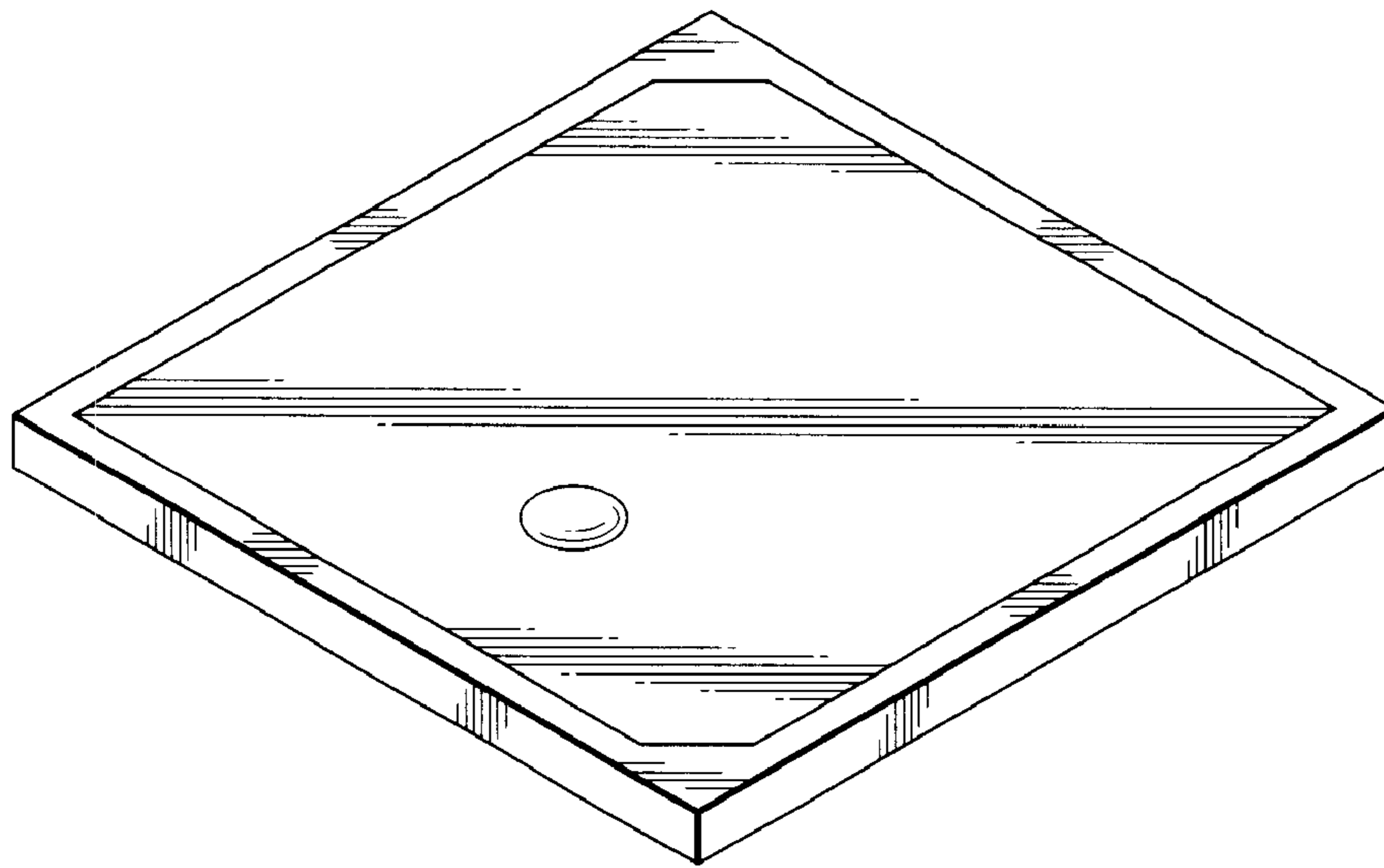


FIG.2

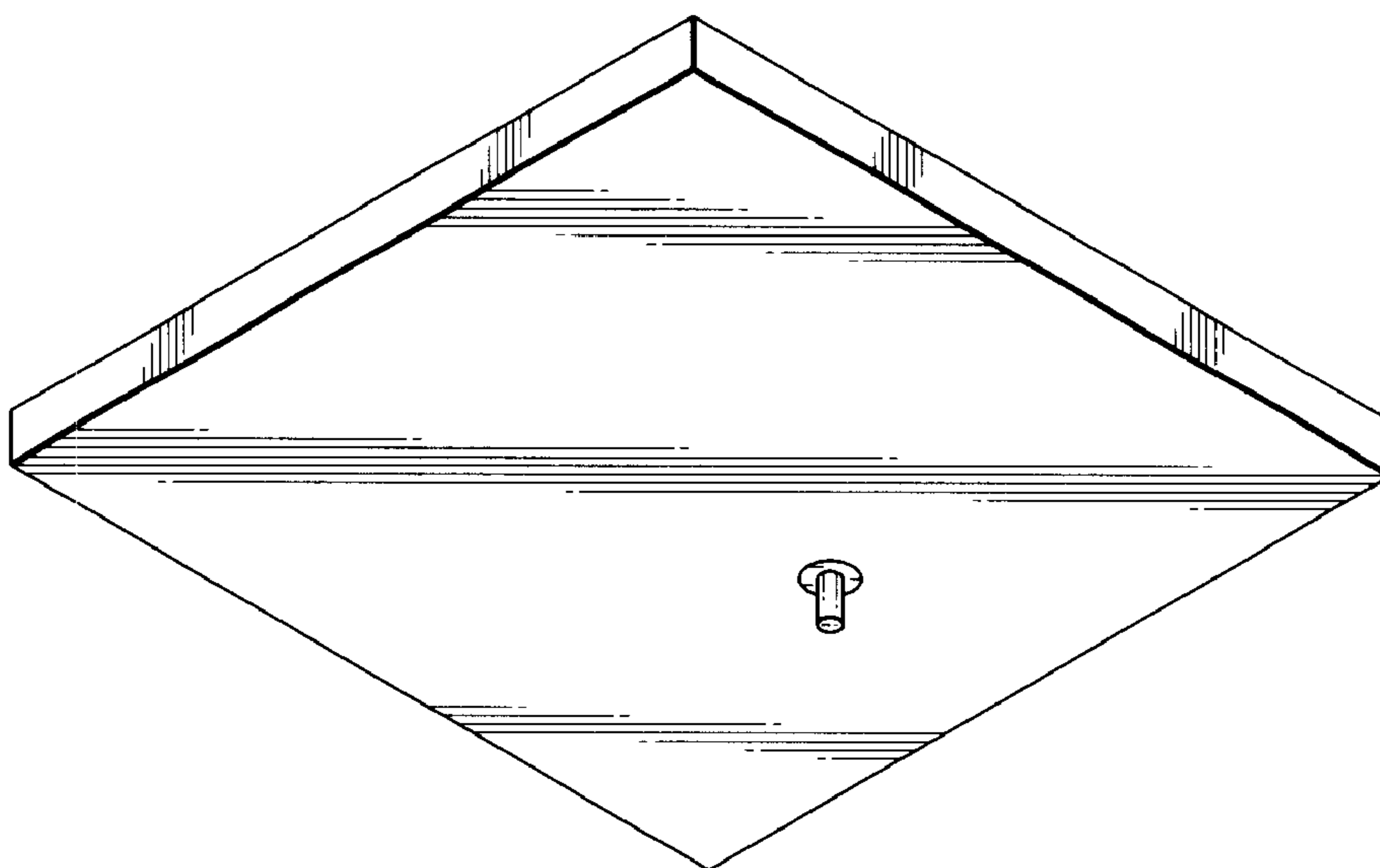


FIG.3

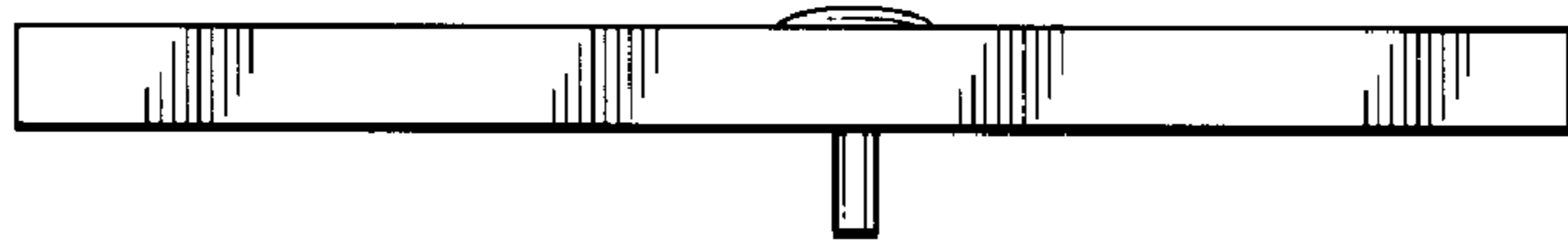


FIG.4

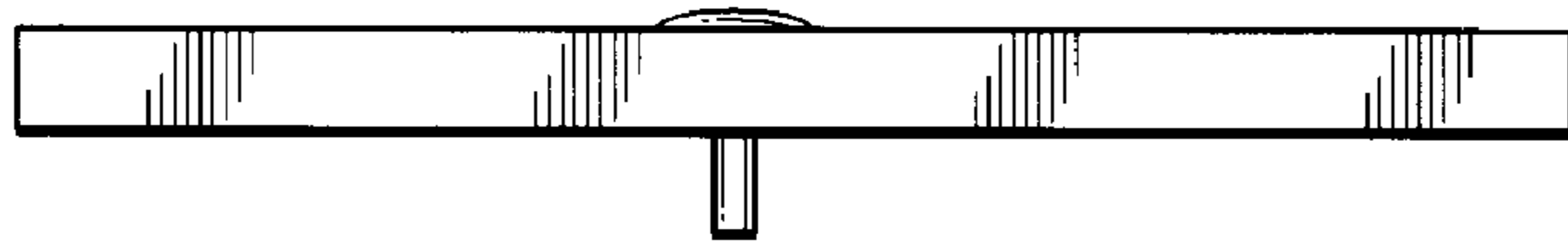


FIG.5

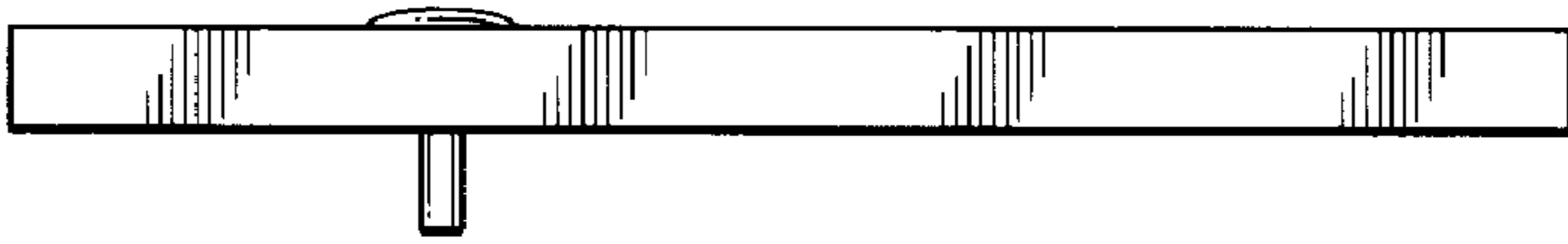


FIG.6

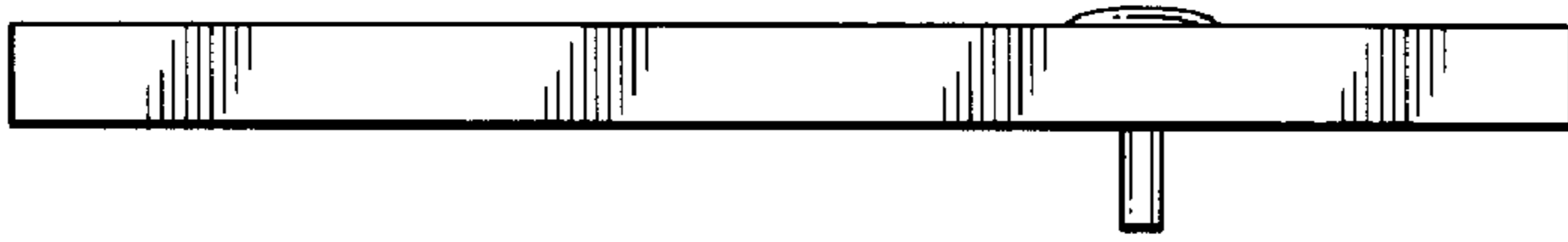


FIG.7

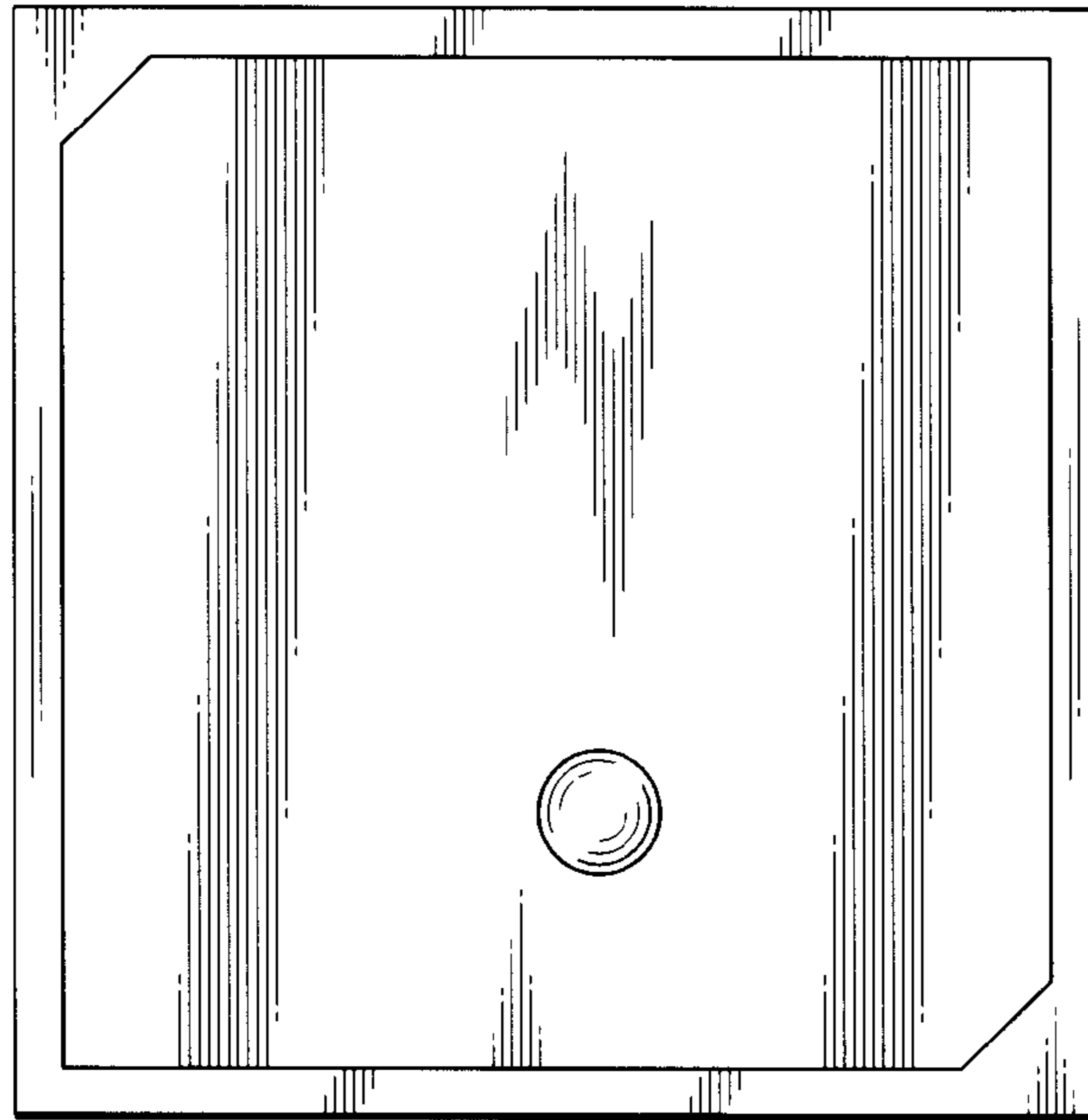


FIG.8

