



US00D531988S

(12) **United States Design Patent**
Green

(10) **Patent No.:** **US D531,988 S**

(45) **Date of Patent:** **** Nov. 14, 2006**

(54) **SPEAKER**

(75) Inventor: **Seth N. Green**, Newton, MA (US)

(73) Assignee: **Bose Corporation**, Framingham, MA (US)

(**) Term: **14 Years**

(21) Appl. No.: **29/207,036**

(22) Filed: **Jun. 7, 2004**

(51) **LOC (8) Cl.** **14-01**

(52) **U.S. Cl.** **D14/215**

(58) **Field of Classification Search** D14/204,
D14/207, 209–216, 356; 181/143–144, 147–148,
181/150, 157, 198–199, 151, 153; 381/300–302,
381/306, 333, 345, 361–364, 386–388, 332,
381/336

See application file for complete search history.

(56) **References Cited**

U.S. PATENT DOCUMENTS

D231,537 S * 4/1974 Kimbell D14/207
4,805,729 A * 2/1989 Wascom 181/144
5,067,583 A * 11/1991 Hathaway 181/151

D417,874 S * 12/1999 Suzuki D14/215
D434,751 S * 12/2000 Sogabe et al. D14/215
D448,752 S * 10/2001 Matsuoka D14/214
D510,339 S 10/2005 Taylor

* cited by examiner

Primary Examiner—Nanda Bondade

(74) *Attorney, Agent, or Firm*—Fish & Richardson P.C.

(57) **CLAIM**

The ornamental design for a speaker, substantially as shown and described.

DESCRIPTION

FIG. 1 is an isometric view.

FIG. 2 is a front view.

FIG. 3 is a rear view.

FIG. 4 is a left side view.

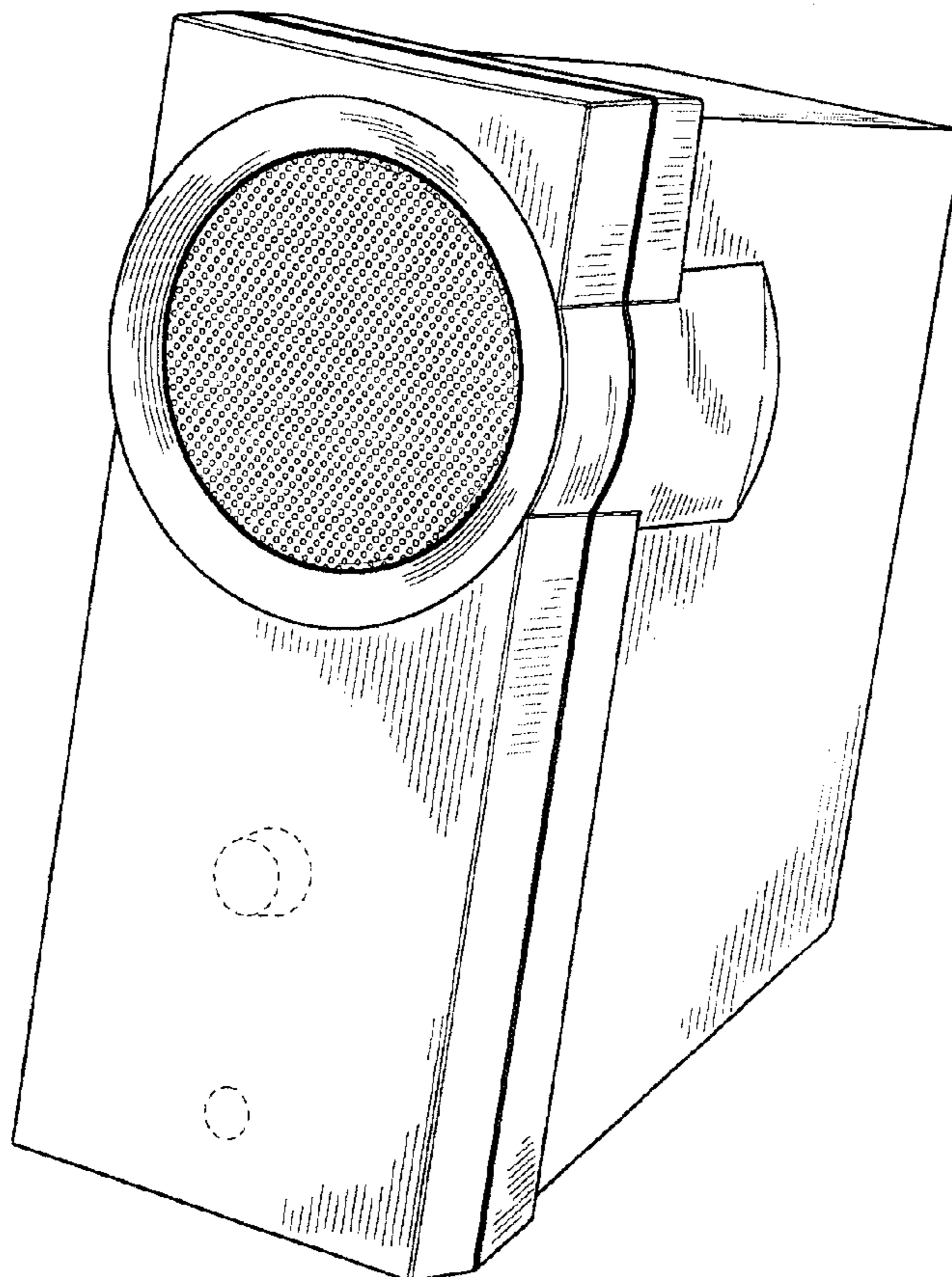
FIG. 5 is a right side view.

FIG. 6 is a top view; and,

FIG. 7 is a bottom view.

The broken line showing in the drawing disclosure is for illustrative purposes only and forms no part of the claimed design.

1 Claim, 5 Drawing Sheets



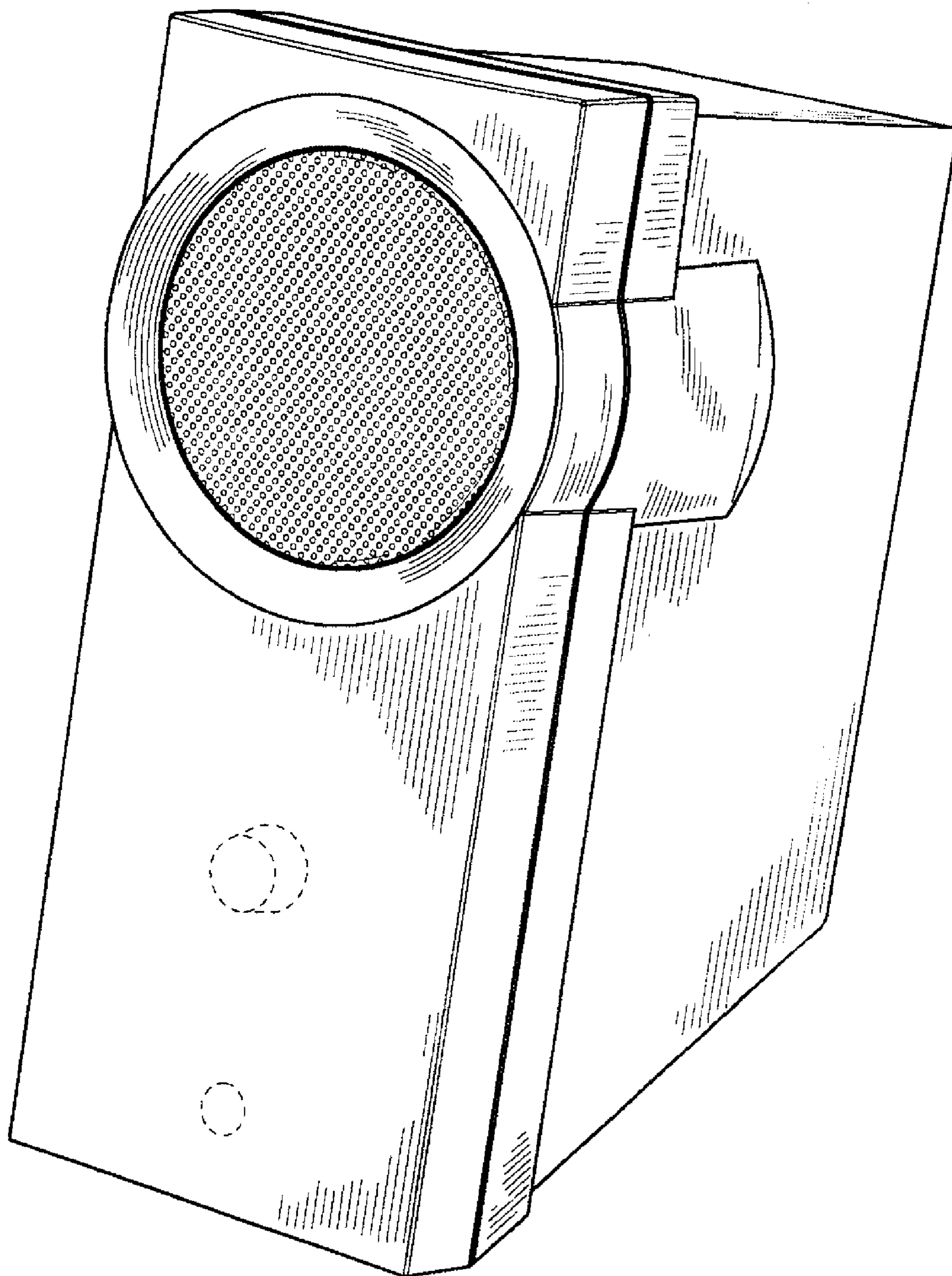


FIG. 1

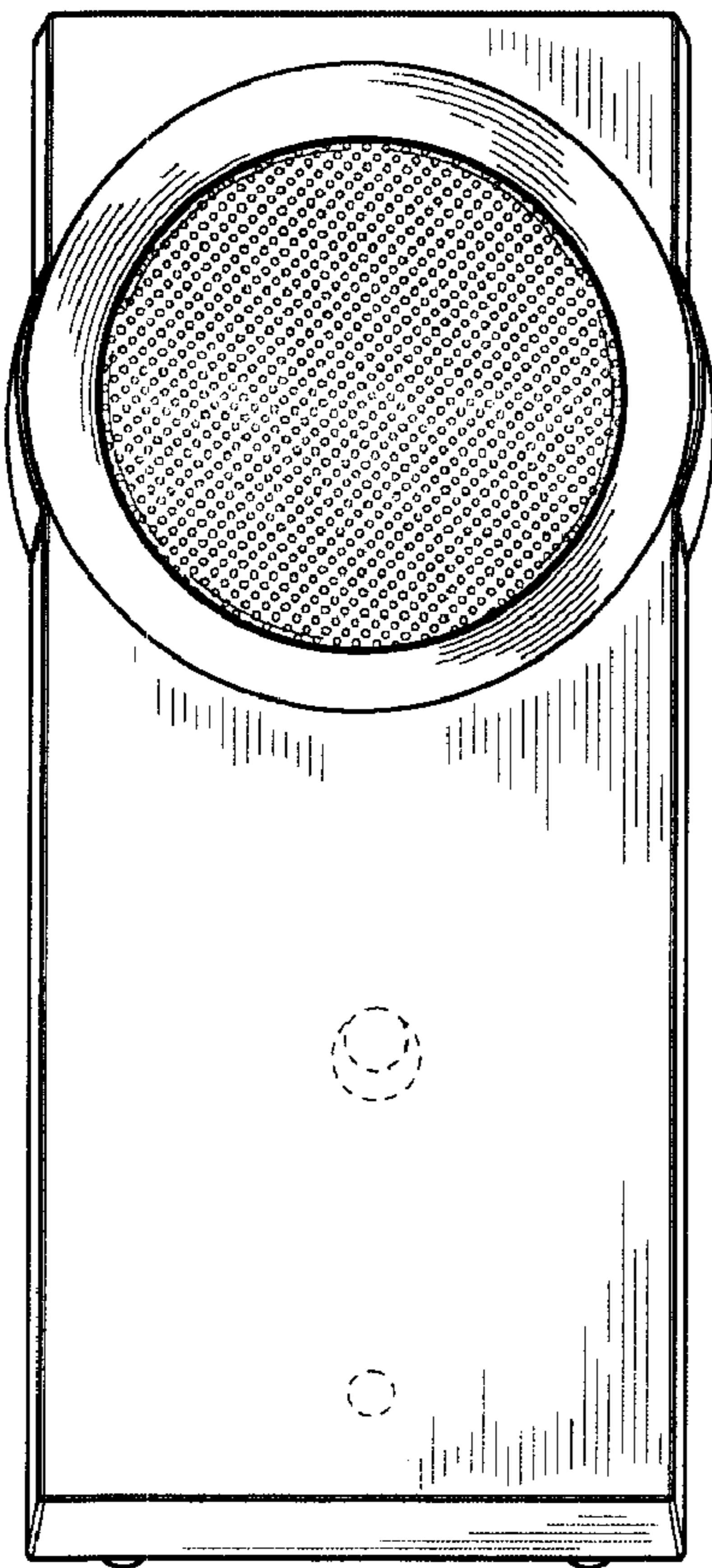


FIG. 2

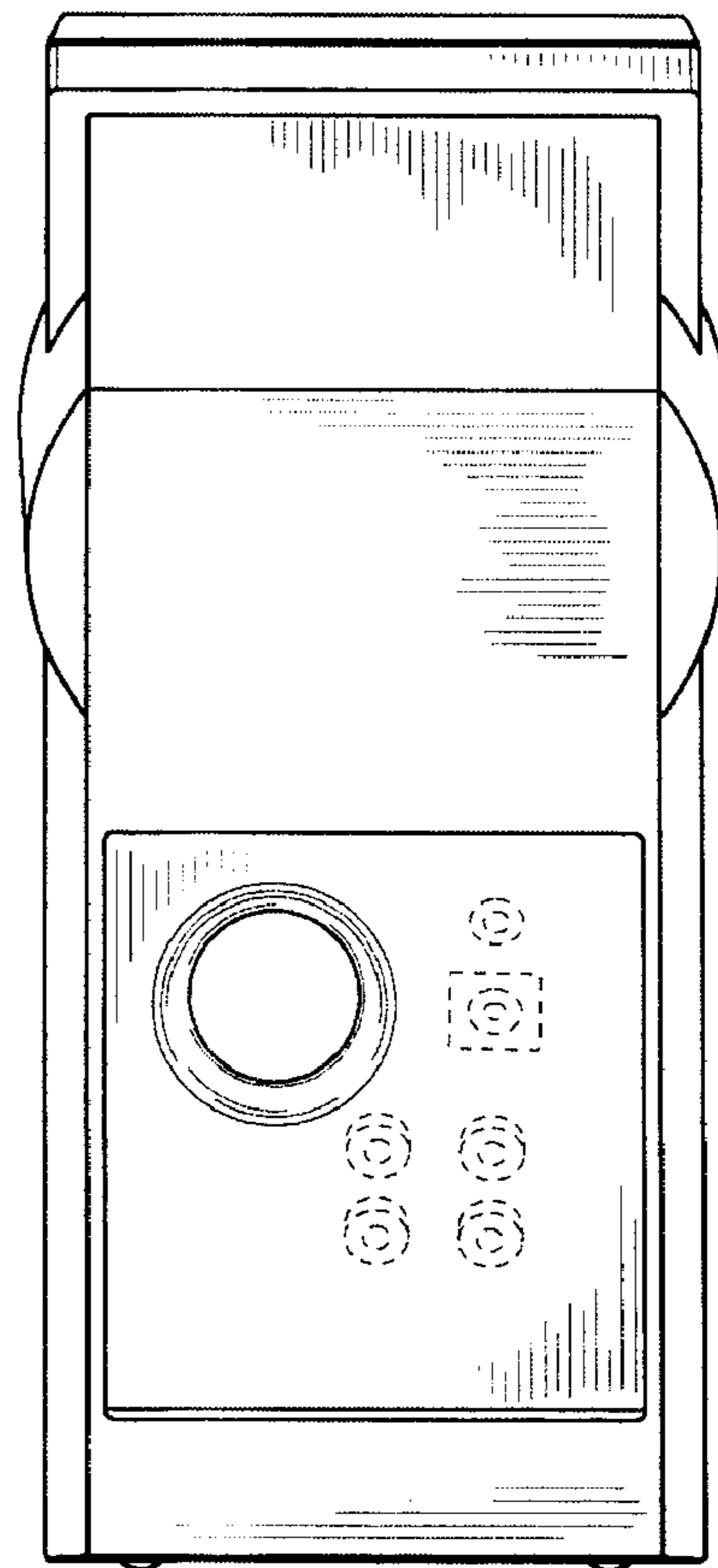


FIG. 3

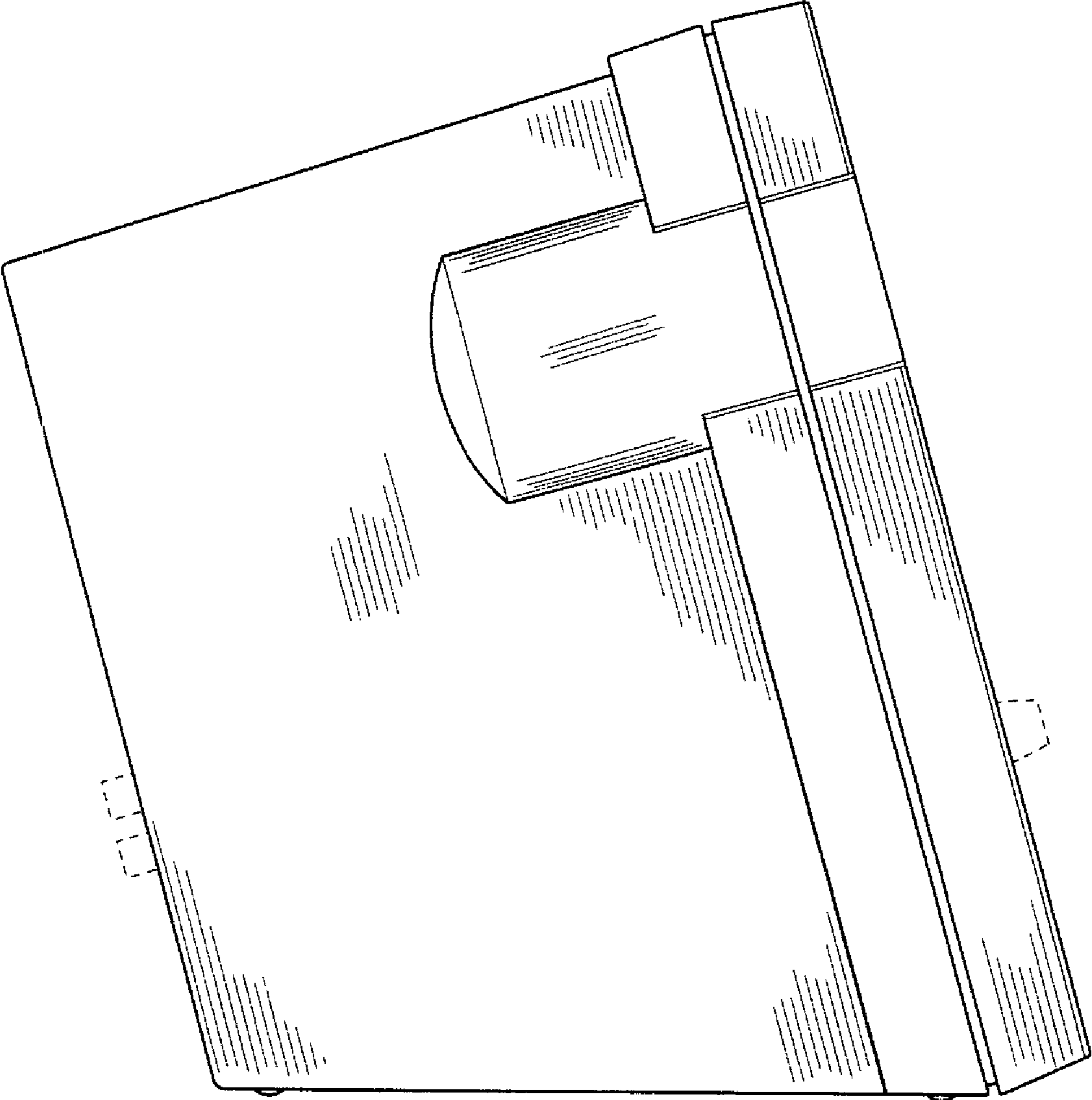


FIG. 4

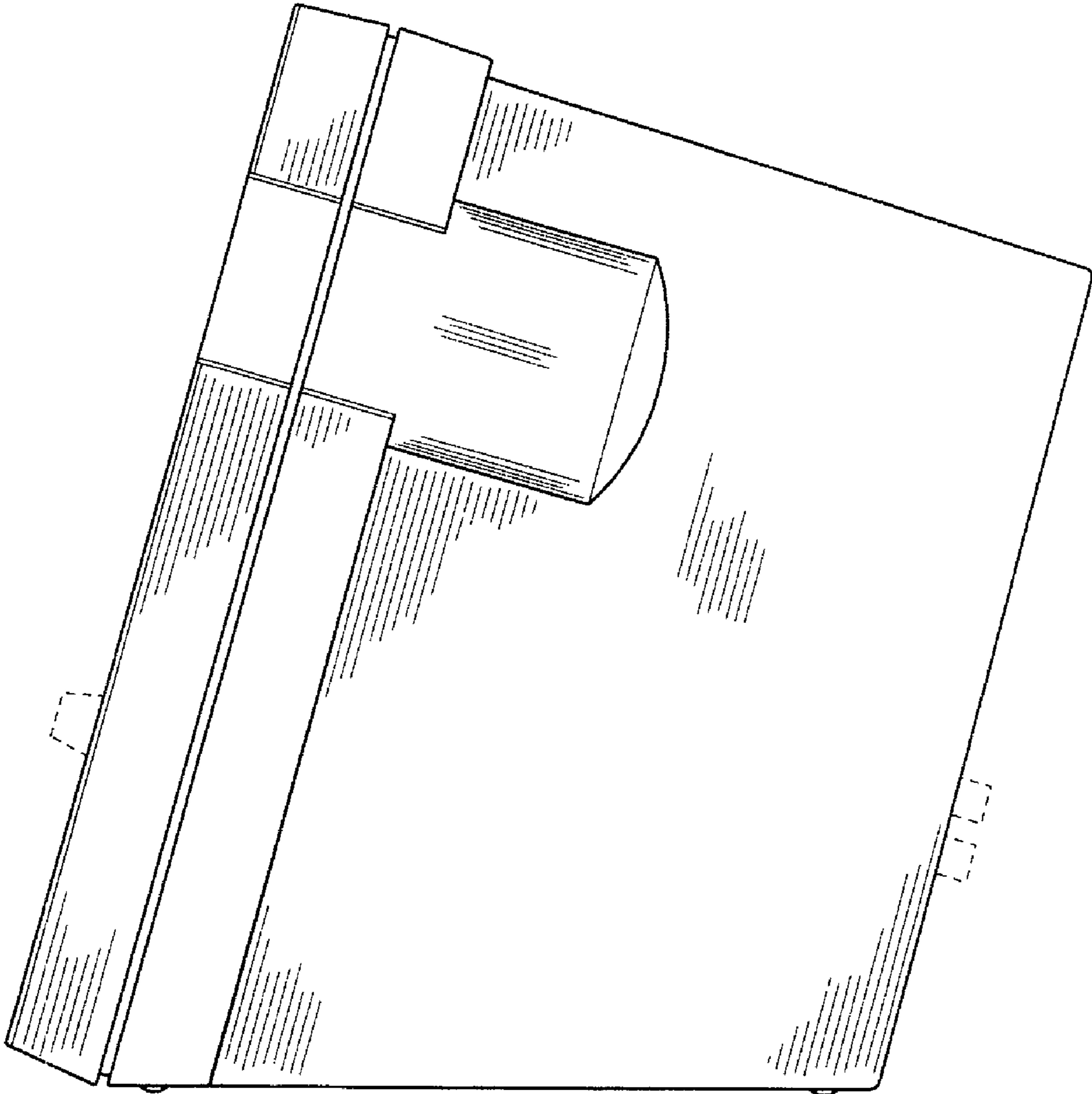


FIG. 5

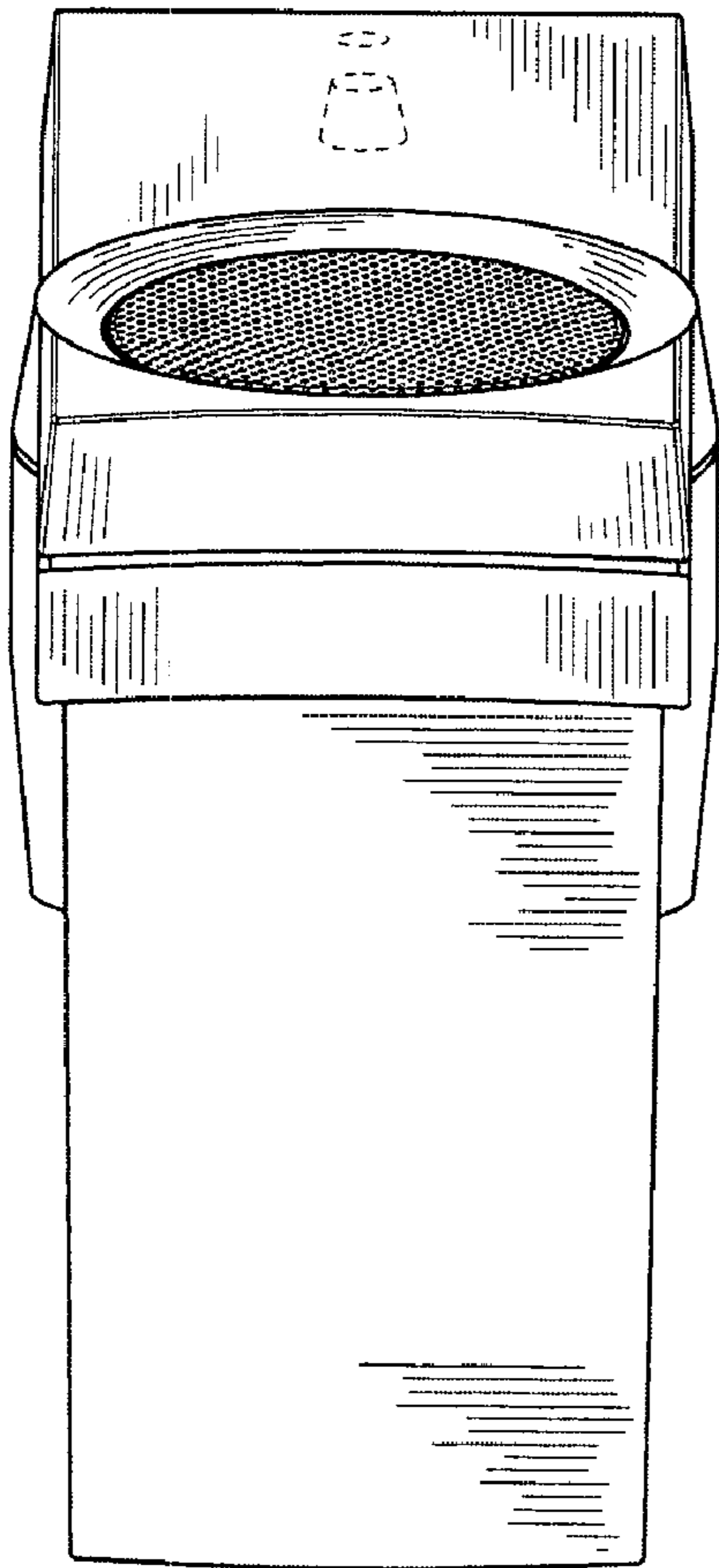


FIG. 6

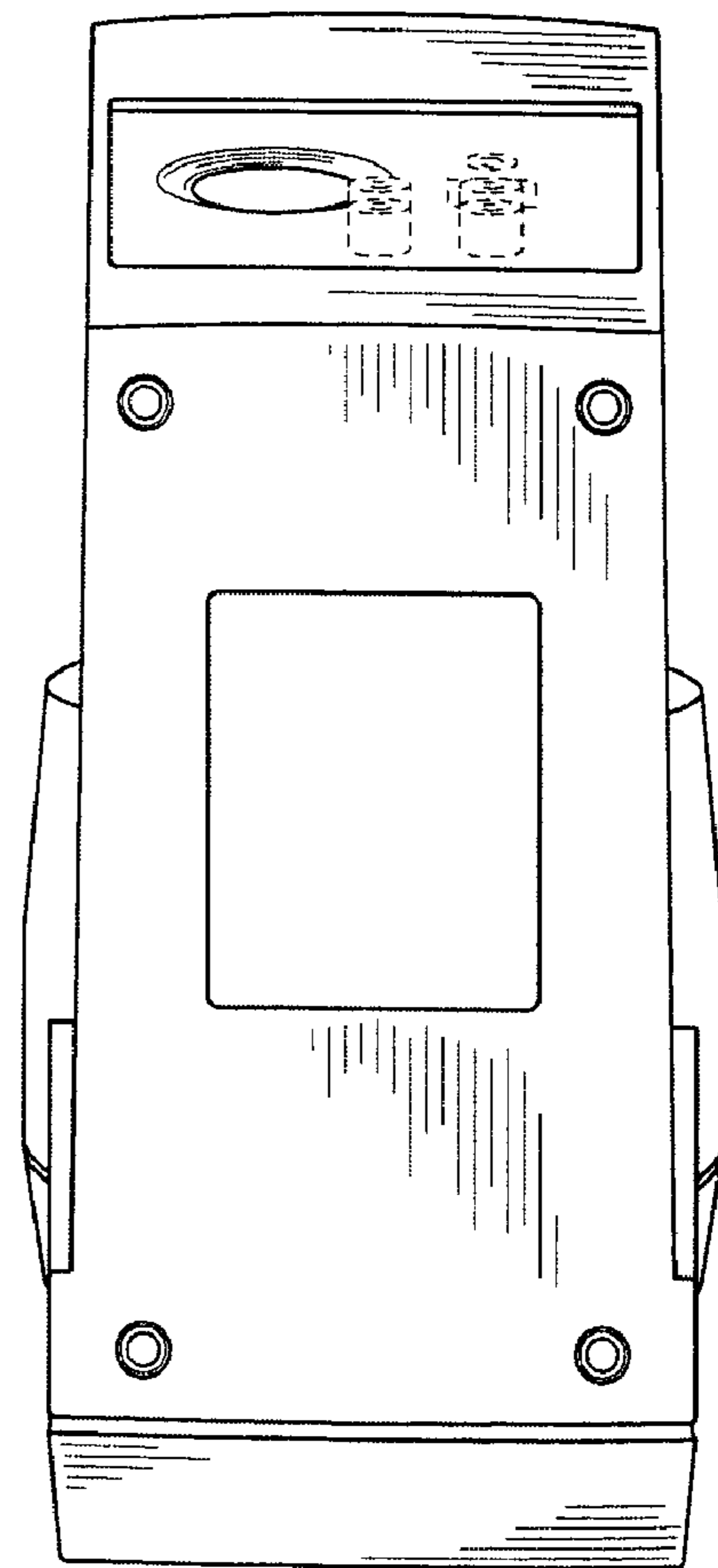


FIG. 7