



US00D531987S

(12) **United States Design Patent**
Dayan

(10) **Patent No.:** **US D531,987 S**

(45) **Date of Patent:** **** Nov. 14, 2006**

(54) **SPEAKER**

(75) **Inventor:** **Mervin A. Dayan**, Oakhurst, NJ (US)

(73) **Assignee:** **Roadmaster (USA) Corp.**

(**) **Term:** **14 Years**

(21) **Appl. No.:** **29/194,132**

(22) **Filed:** **Nov. 19, 2003**

(51) **LOC (8) Cl.** **14-01**

(52) **U.S. Cl.** **D14/215**

(58) **Field of Classification Search** D14/204,
D14/207, 209–216, 356, 221–222, 224; 181/143–144,
181/147–148, 150, 157, 198–199, 151, 153;
381/300–302, 306, 333, 345, 361–364, 386–388,
381/332, 336

See application file for complete search history.

(56) **References Cited**

U.S. PATENT DOCUMENTS

D254,252 S * 2/1980 Matsubara D14/216

D280,818 S * 10/1985 Clover, Jr. D14/215

4,672,675 A * 6/1987 Powell et al. 381/186

D336,475 S * 6/1993 Christie D14/215

D393,641 S * 4/1998 Hai-Fu D14/216

D400,884 S * 11/1998 Christie, II D14/216

* cited by examiner

Primary Examiner—Nanda Bondade

(74) *Attorney, Agent, or Firm*—Wolf, Block, Schorr & Solis-Cohen

(57) **CLAIM**

The ornamental design for a speaker, as shown and described.

DESCRIPTION

FIG. 1 is a front perspective view of a speaker showing my new design;

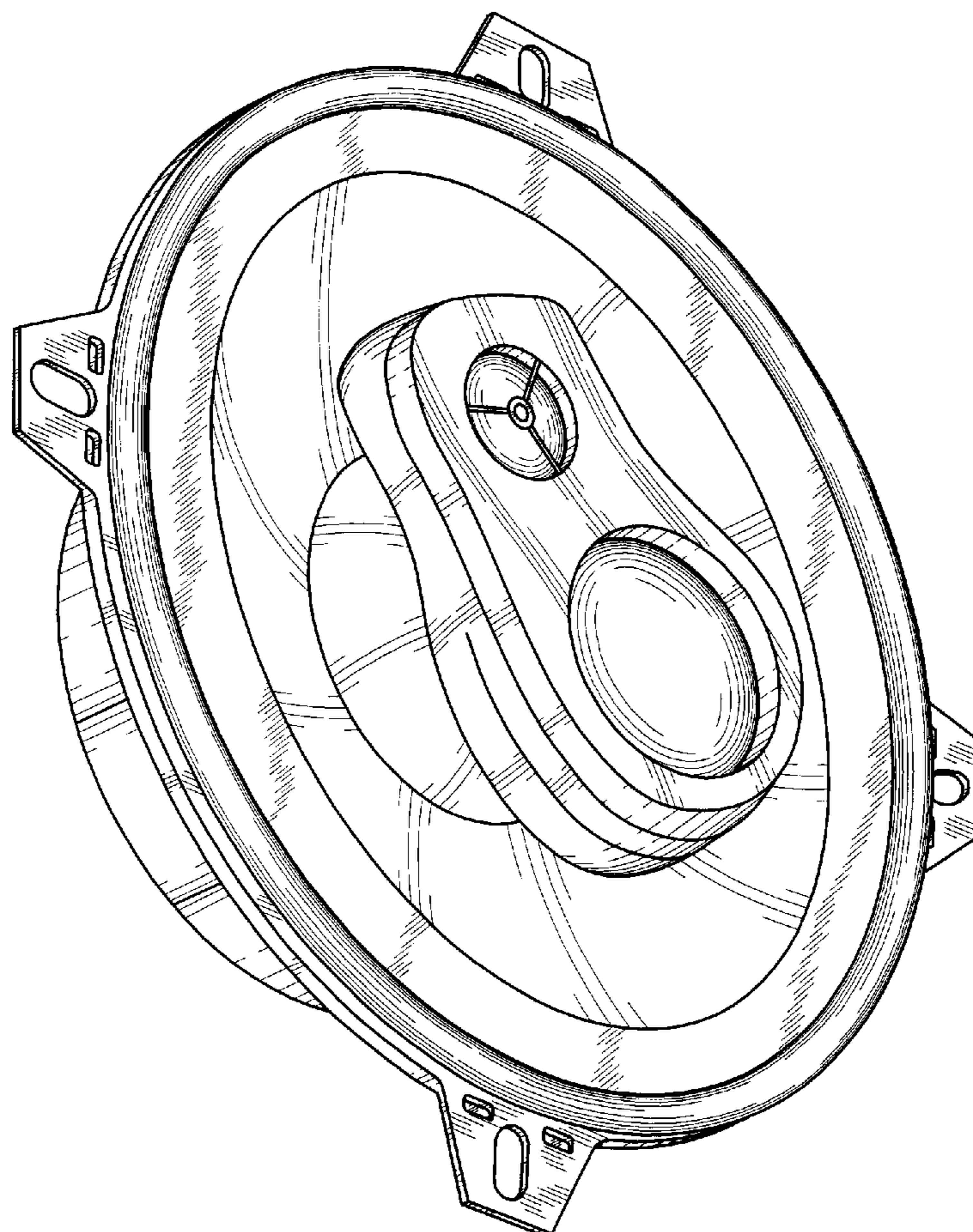
FIG. 2 is front elevational view thereof;

FIG. 3 is a side elevational view thereof;

FIG. 4 is a rear elevational view thereof; and,

FIG. 5 is a rear perspective view thereof.

1 Claim, 5 Drawing Sheets



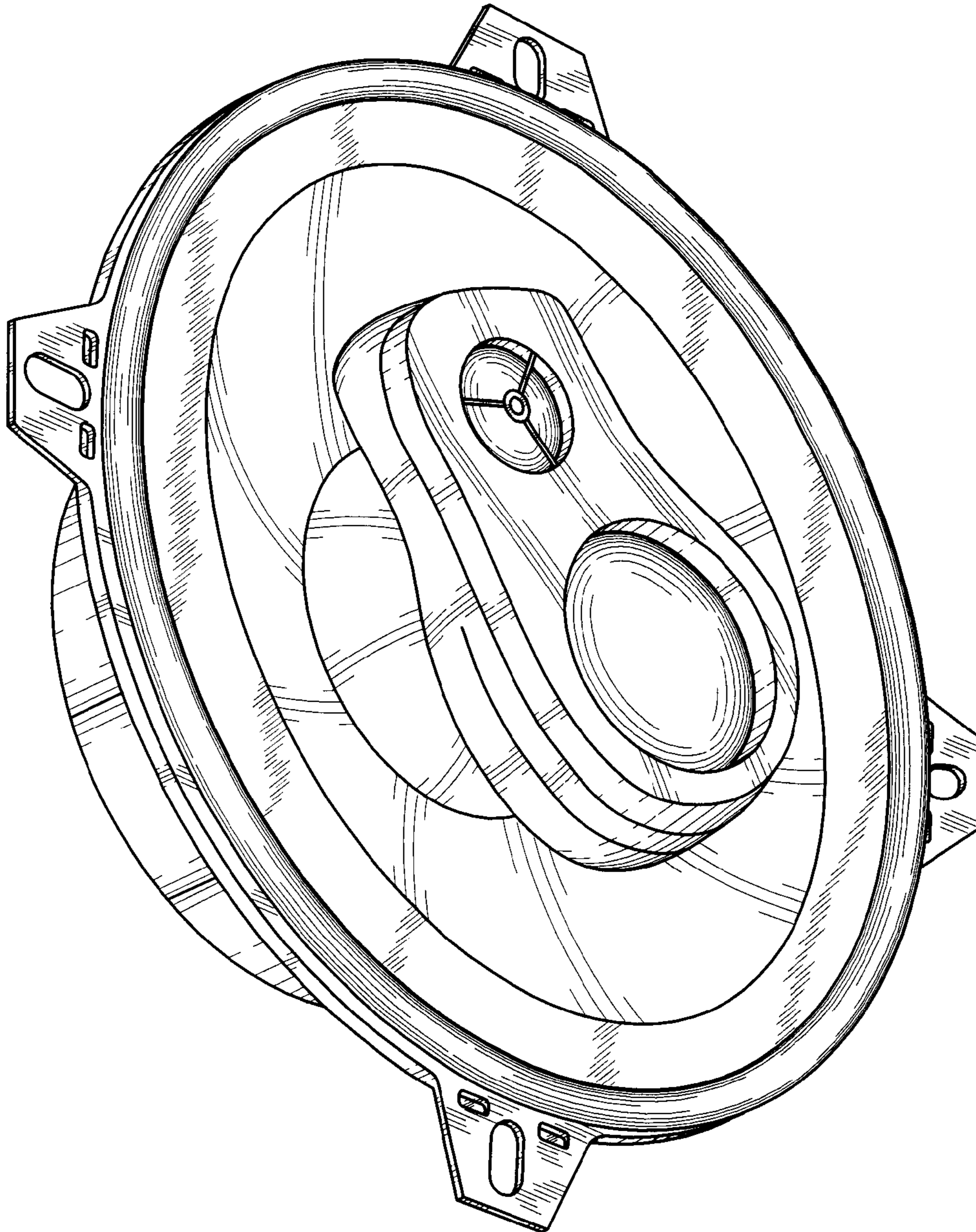


FIG. 1

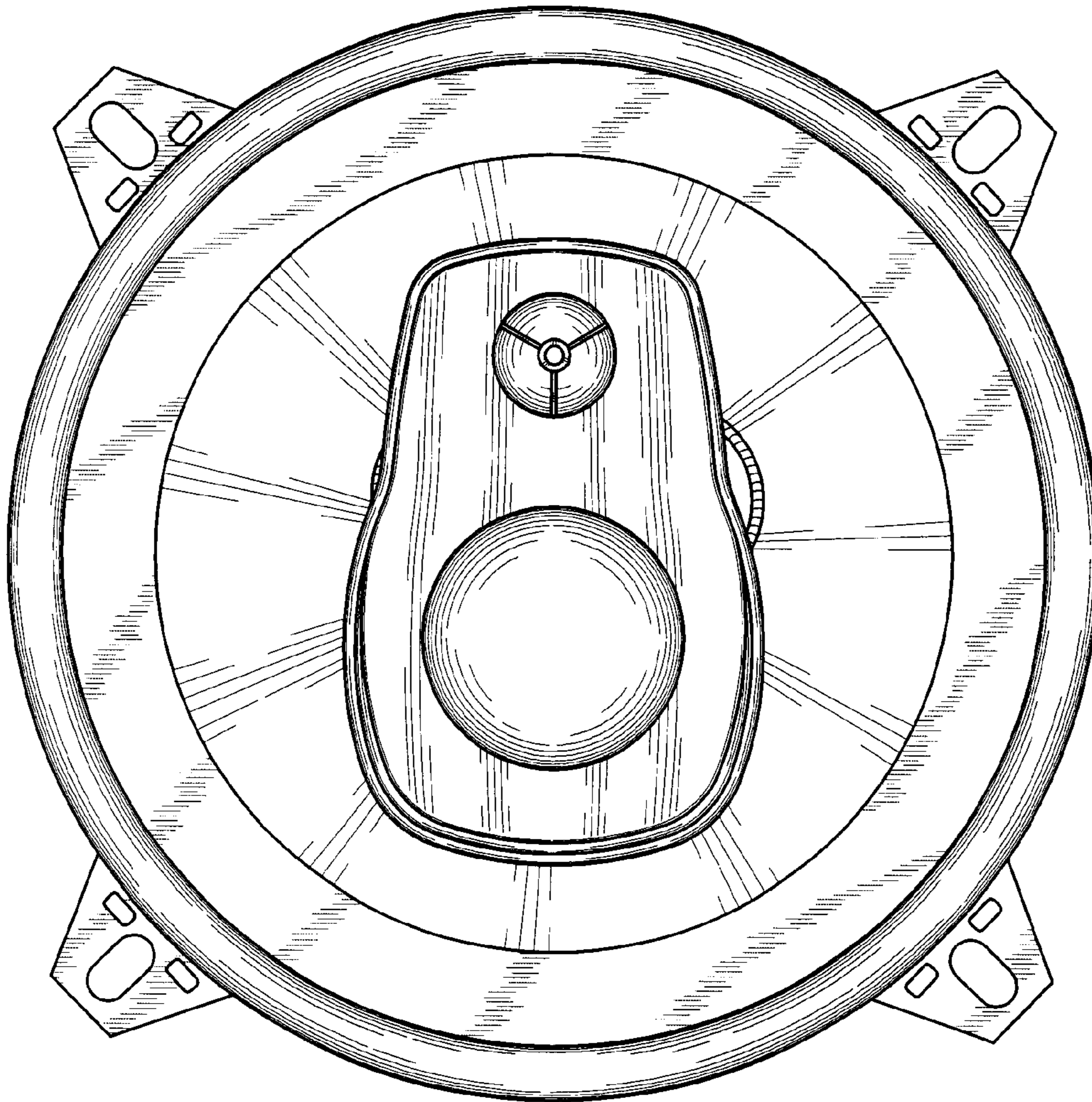


FIG. 2

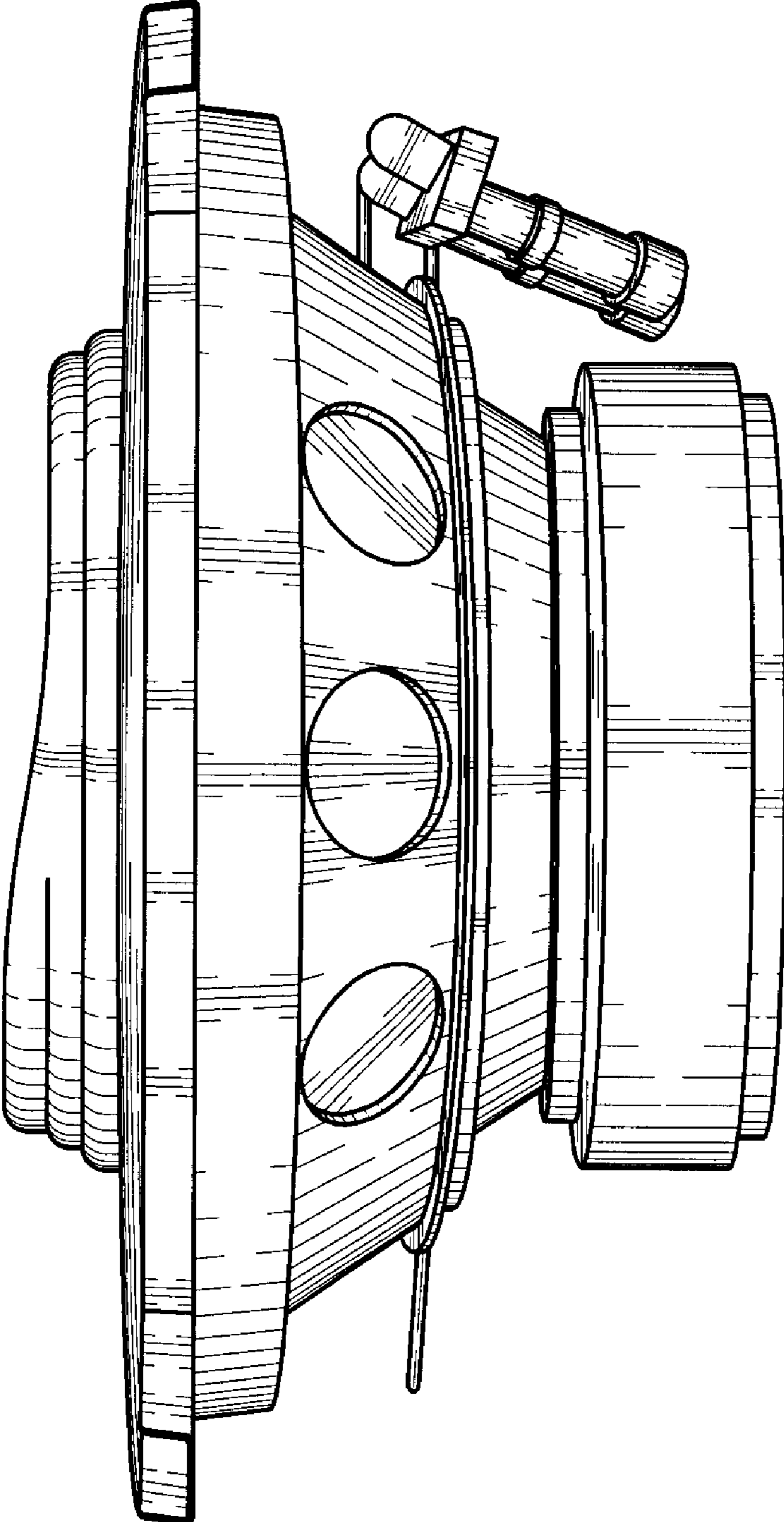


FIG. 3

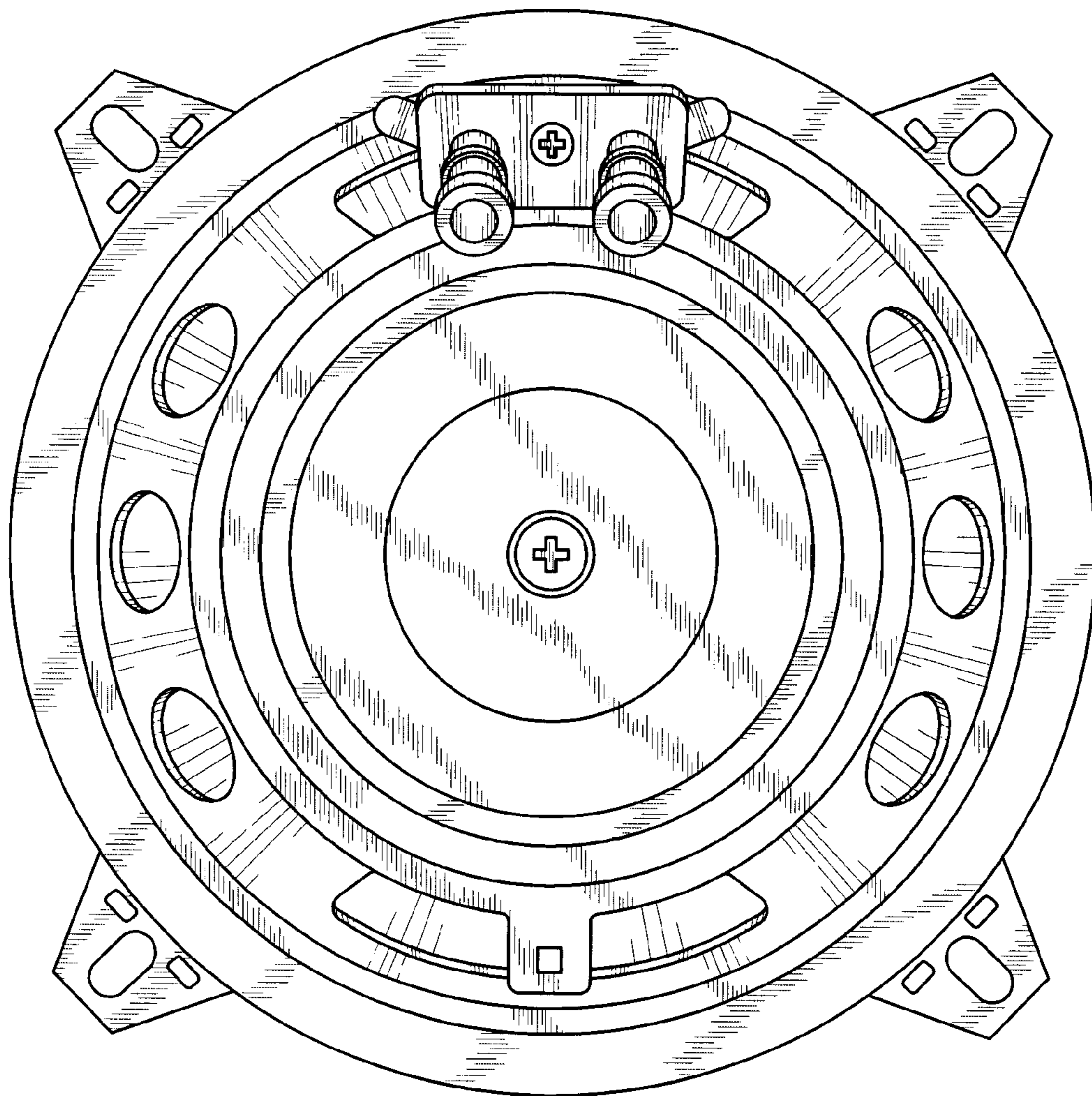


FIG. 4

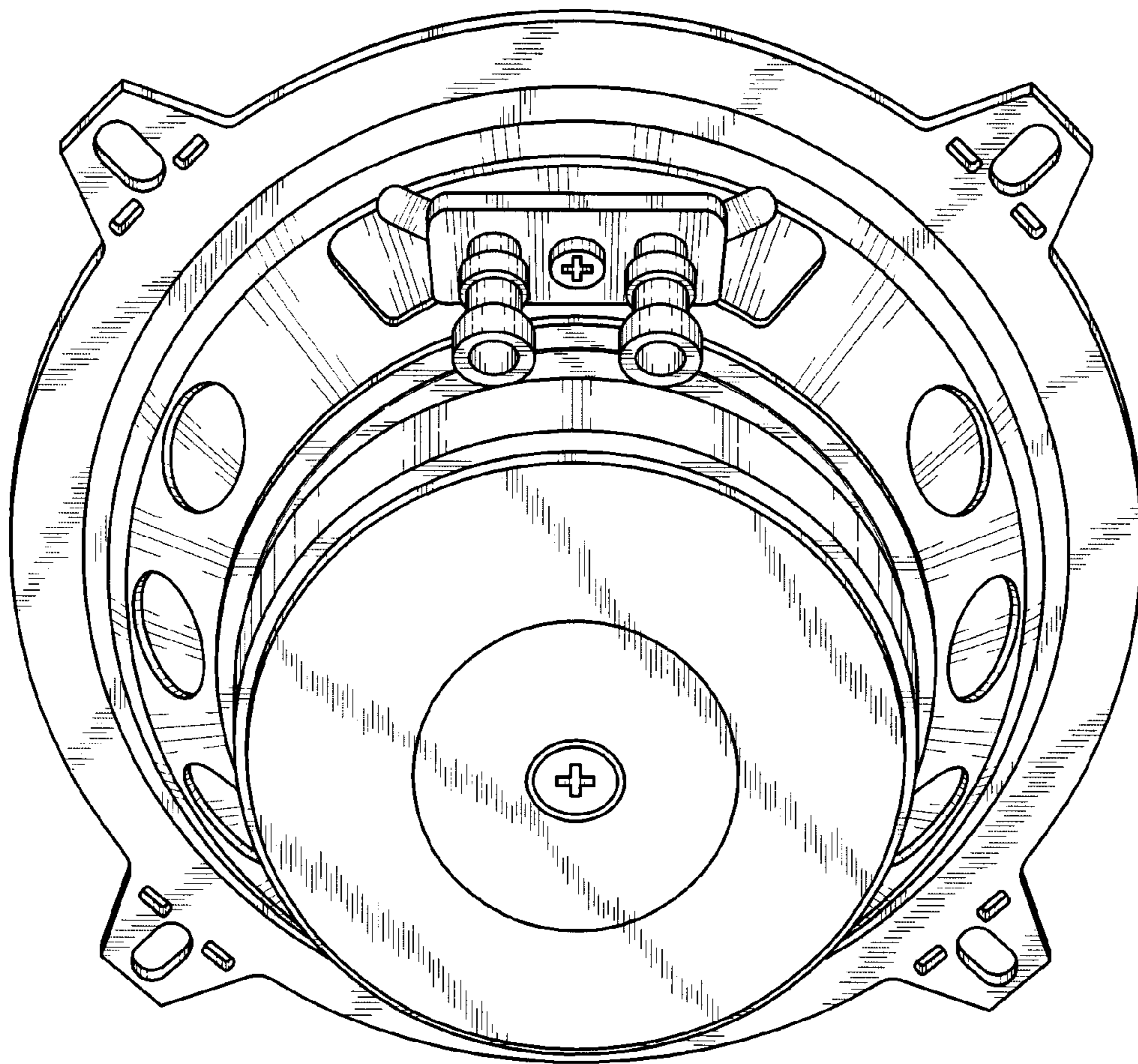


FIG. 5