



US00D531981S

(12) **United States Design Patent**
Akita

(10) **Patent No.:** **US D531,981 S**

(45) **Date of Patent:** **** Nov. 14, 2006**

(54) **RADIOCOMMUNICATION EQUIPMENT**

(75) Inventor: **Yasushi Akita**, Osaka (JP)

(73) Assignee: **Icom Incorporated**, Osaka (JP)

(**) Term: **14 Years**

(21) Appl. No.: **29/236,144**

(22) Filed: **Aug. 12, 2005**

(30) **Foreign Application Priority Data**

Apr. 19, 2005 (JP) 2005-11626

(51) **LOC (8) Cl.** **14-03**

(52) **U.S. Cl.** **D14/188; D14/217**

(58) **Field of Classification Search** D14/188,
D14/137, 160, 168, 217, 265, 192-197, 257,
D14/258, 299; 455/344-351; 369/1, 6-12
See application file for complete search history.

(56) **References Cited**

U.S. PATENT DOCUMENTS

4,181,823	A	*	1/1980	DeLamoreaux et al.	369/10
4,870,702	A	*	9/1989	Azzouni	455/346
5,471,659	A	*	11/1995	Wong	455/132
5,523,531	A	*	6/1996	Ozaki	200/5 R
5,867,774	A	*	2/1999	Summers et al.	455/575.1
D422,598	S	*	4/2000	Teulie	D14/265
D436,093	S	*	1/2001	Okada et al.	D14/168

D439,227	S	*	3/2001	Okada et al.	D14/136
D455,728	S	*	4/2002	Kobayashi	D14/168
D457,880	S	*	5/2002	Suzuki et al.	D14/257
D474,755	S	*	5/2003	Senda et al.	D14/135
D504,881	S	*	5/2005	Kangasmaa	D14/188
D516,577	S	*	3/2006	Matsuoka	D14/496

* cited by examiner

Primary Examiner—Prabhakar Deshmukh

(74) *Attorney, Agent, or Firm*—Wenderoth, Lind & Ponack, L.L.P.

(57) **CLAIM**

The ornamental design for radiocommunication equipment, as shown and described.

DESCRIPTION

FIG. 1 is a front view of the radiocommunication equipment according to the present invention.

FIG. 2 is a perspective view of the radiocommunication equipment according to the present invention as seen from the front, top and right side thereof.

FIG. 3 is a top view of the radiocommunication equipment according to the present invention; and,

FIG. 4 is a bottom view of the radiocommunication equipment according to the present invention.

The broken lines are for illustrative purposes only and form no part of the claimed design.

1 Claim, 4 Drawing Sheets

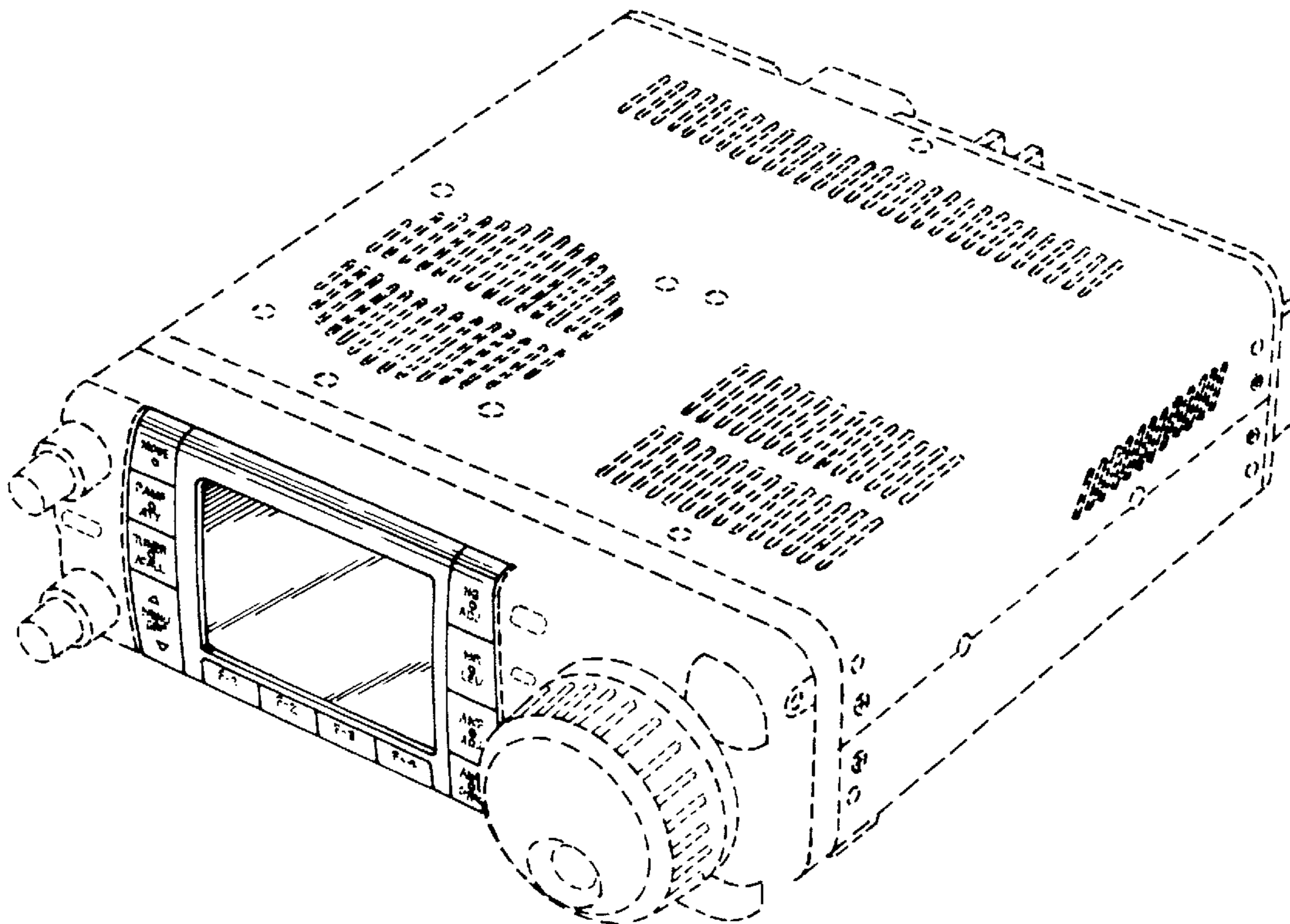
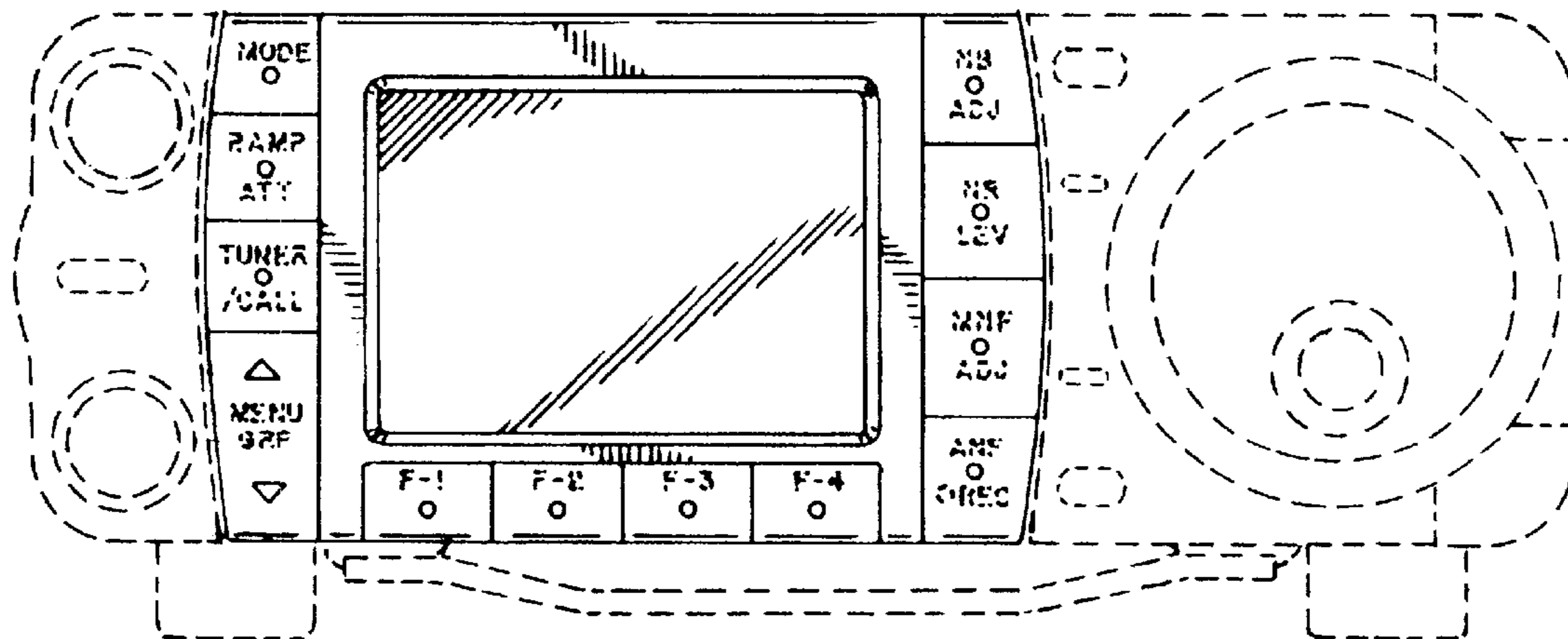


FIG. 1



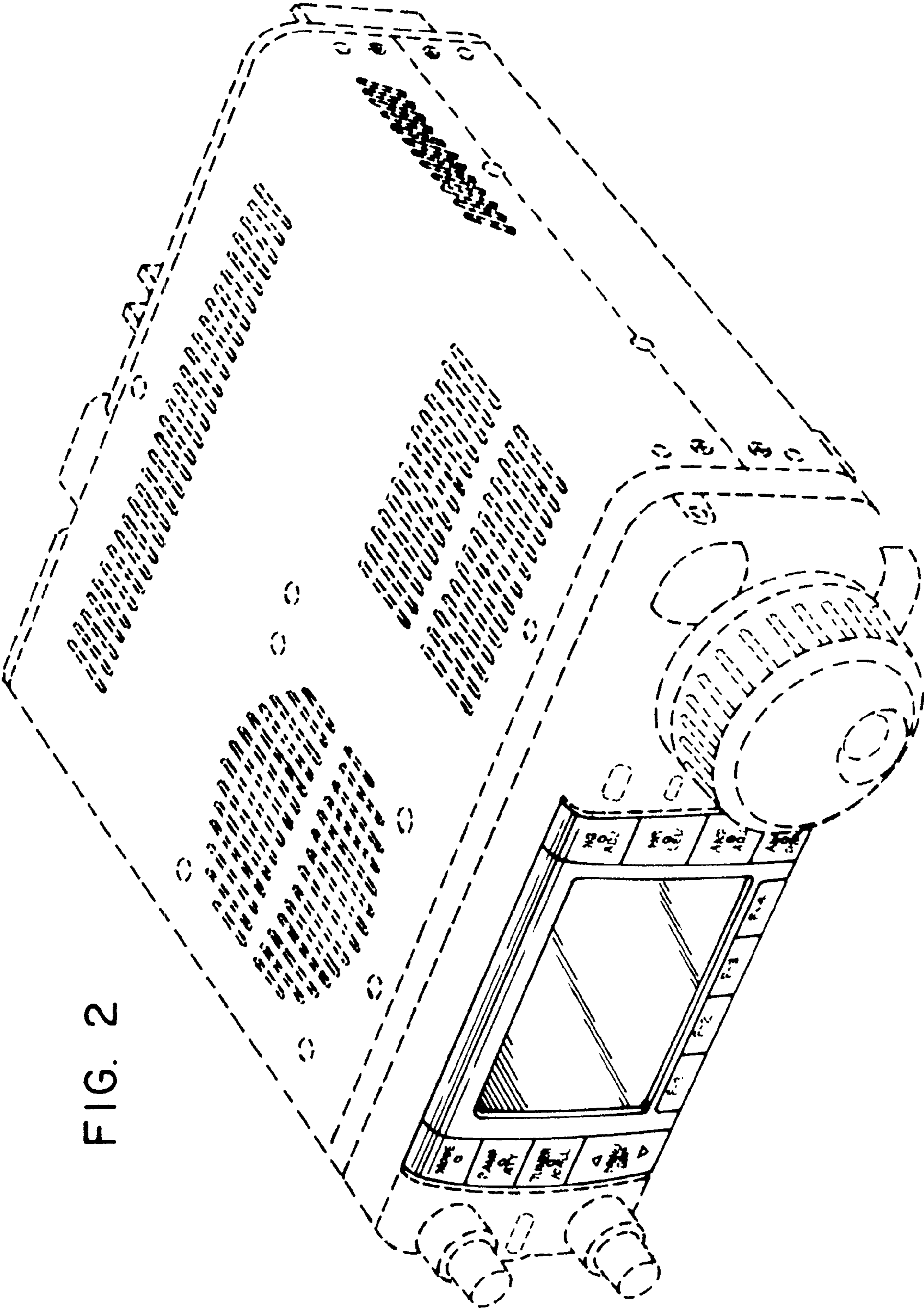


FIG. 2

FIG. 3

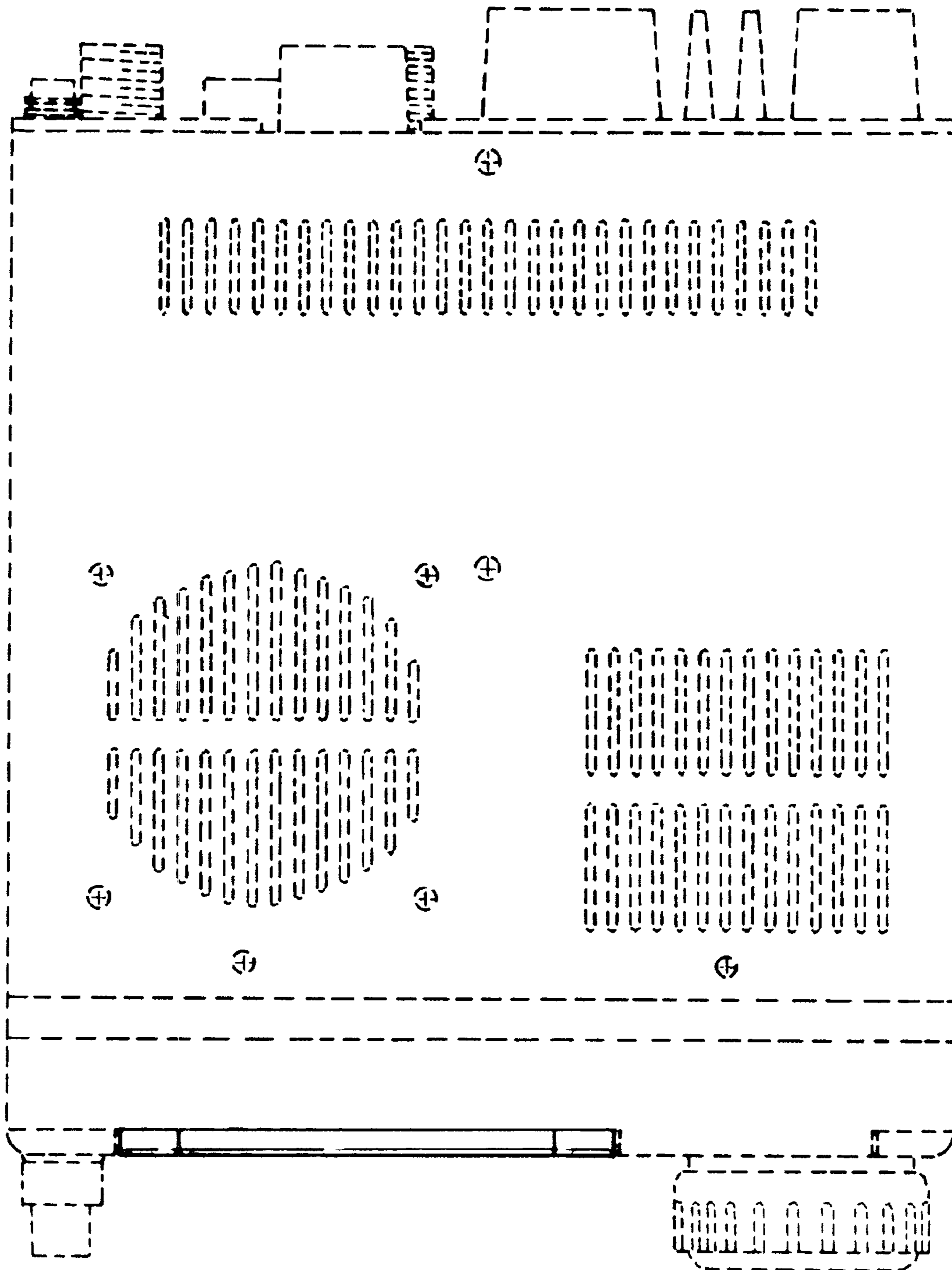


FIG. 4

