



US00D531971S

(12) **United States Design Patent**
Shiraki et al.

(10) **Patent No.:** **US D531,971 S**
(45) **Date of Patent:** **** Nov. 14, 2006**

(54) **DIGITAL VIDEO DISK PLAYER**

FOREIGN PATENT DOCUMENTS

(75) Inventors: **Masazumi Shiraki**, Yokohama (JP);
Ken Suzuki, Niiza (JP)

JP 1179315 7/2003

(73) Assignee: **Kabushiki Kaisha Toshiba** (JP)

OTHER PUBLICATIONS

(**) Term: **14 Years**

B&H Summer 2004 Catalog, pp. 114–118, dated Jun. 2004.

(21) Appl. No.: **29/233,304**

* cited by examiner

(22) Filed: **Jul. 1, 2005**

Primary Examiner—Nanda Bondade

(74) *Attorney, Agent, or Firm*—Banner & Witcoff, Ltd.

(30) **Foreign Application Priority Data**

(57) **CLAIM**

May 13, 2005 (JP) 2005-013739

The ornamental design for a digital video disk player, as shown and described.

(51) **LOC (8) Cl.** **14-01**

DESCRIPTION

(52) **U.S. Cl.** **D14/136**

(58) **Field of Classification Search** D14/135–136,
D14/156–157, 167–168, 193–198, 188, 357,
D14/445; 360/99.02, 99.07; 369/75.11, 75.21,
369/77.21, 77.11; 720/612, 619, 647, 601,
720/655; 455/344, 347–351

FIG. 1 is a front, top and right side perspective view of a digital video disk player, showing our new design; FIG. 2 is a front, top and right side perspective view thereof with a door opened and with a disk tray drawn out; FIG. 3 is a front elevational view thereof; FIG. 4 is a rear elevational view thereof; FIG. 5 is a top plan view thereof; FIG. 6 is a bottom plan view thereof; FIG. 7 is a right side elevational view thereof; FIG. 8 is a left side elevational view thereof; FIG. 9 is a front elevational view thereof with the door in an opened state; and, FIG. 10 is a right side elevational view thereof with the door in an opened state.

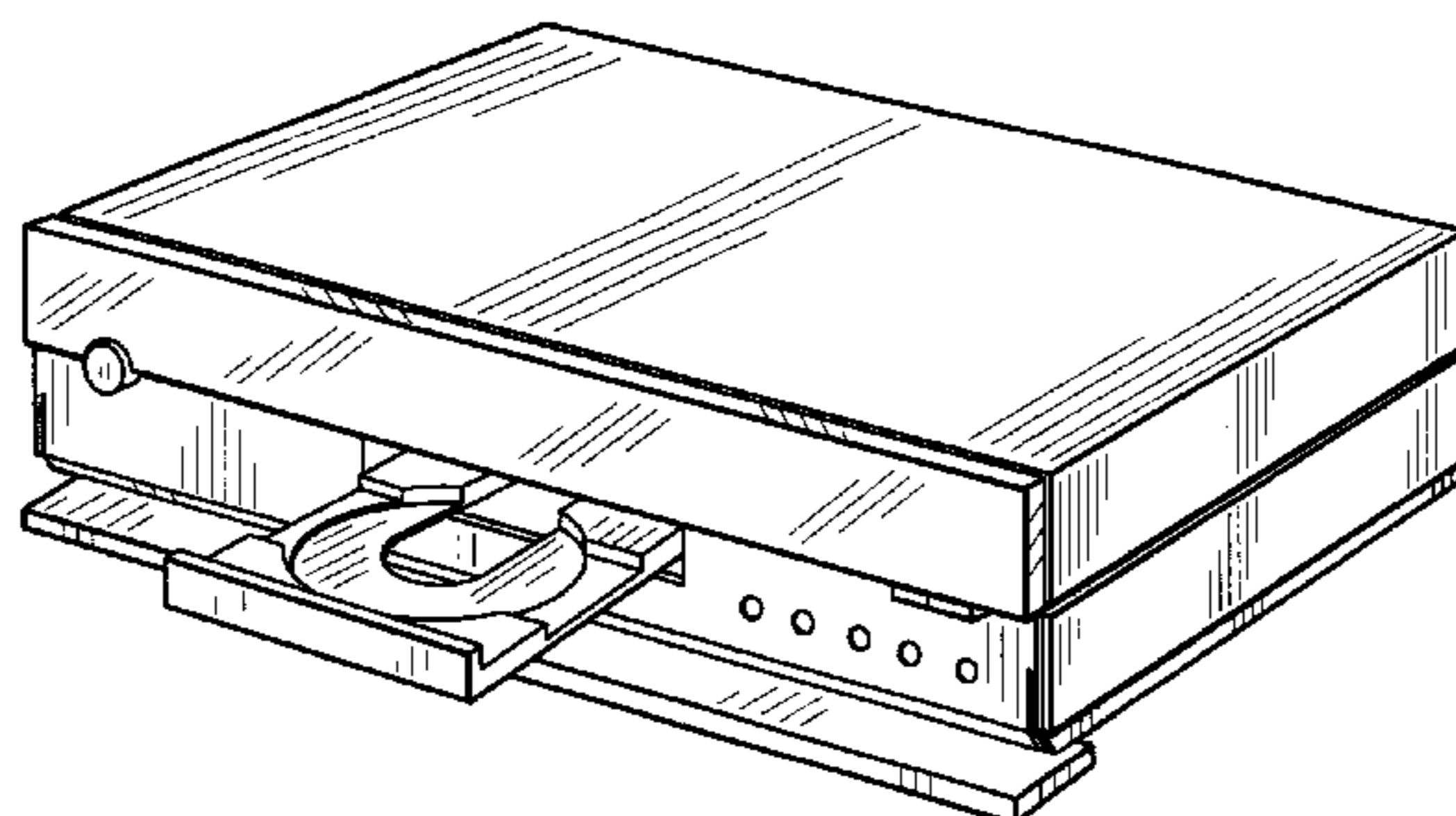
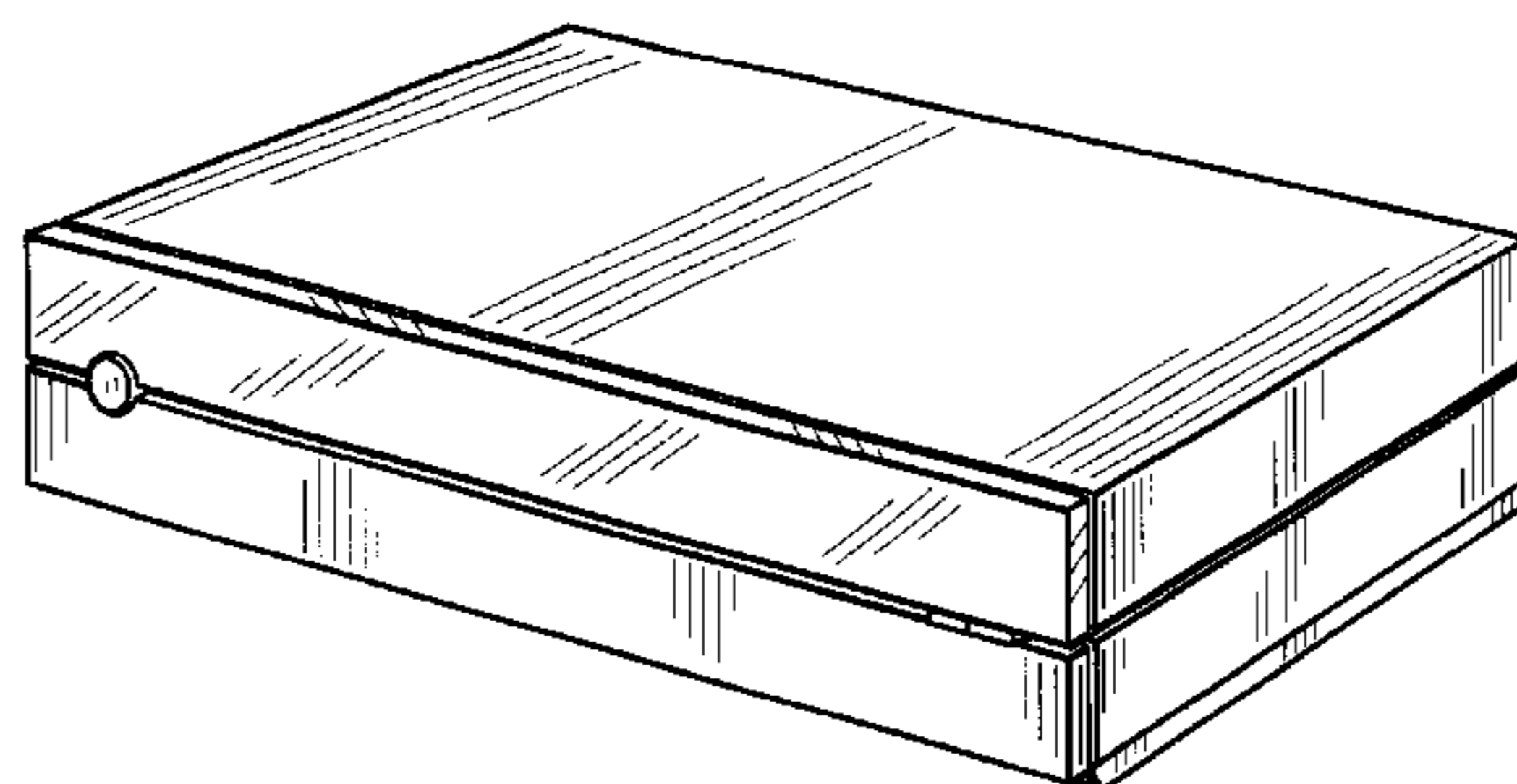
See application file for complete search history.

(56) **References Cited**

U.S. PATENT DOCUMENTS

D368,089 S 3/1996 Goshima
D387,756 S 12/1997 Goshima
D396,857 S 8/1998 Ito
D429,706 S * 8/2000 Miyazaki D14/135
D466,876 S * 12/2002 Usami et al. D14/136
D485,245 S 1/2004 Shiraki et al.
D495,677 S * 9/2004 Kawano et al. D14/157

1 Claim, 6 Drawing Sheets



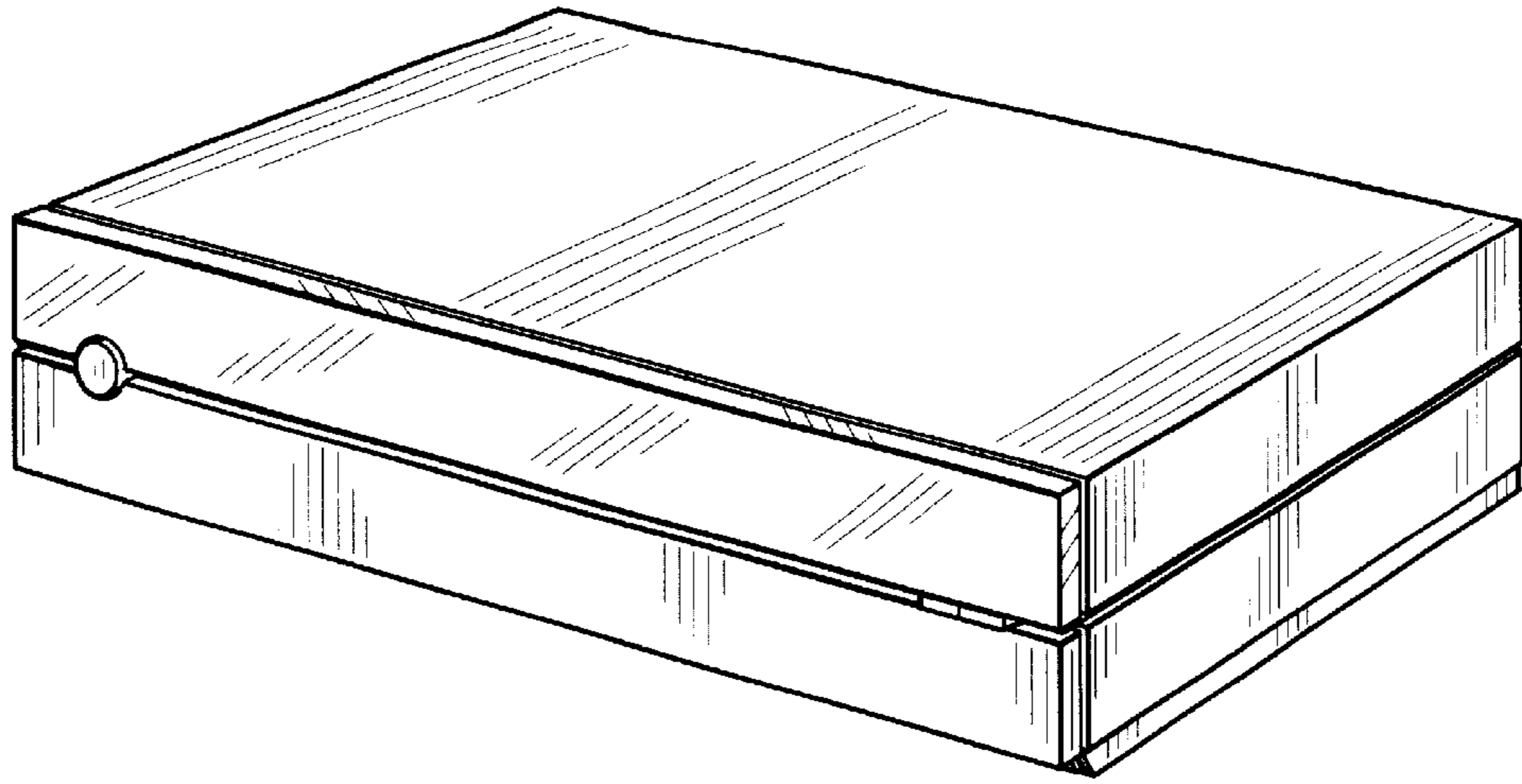


FIG. 1

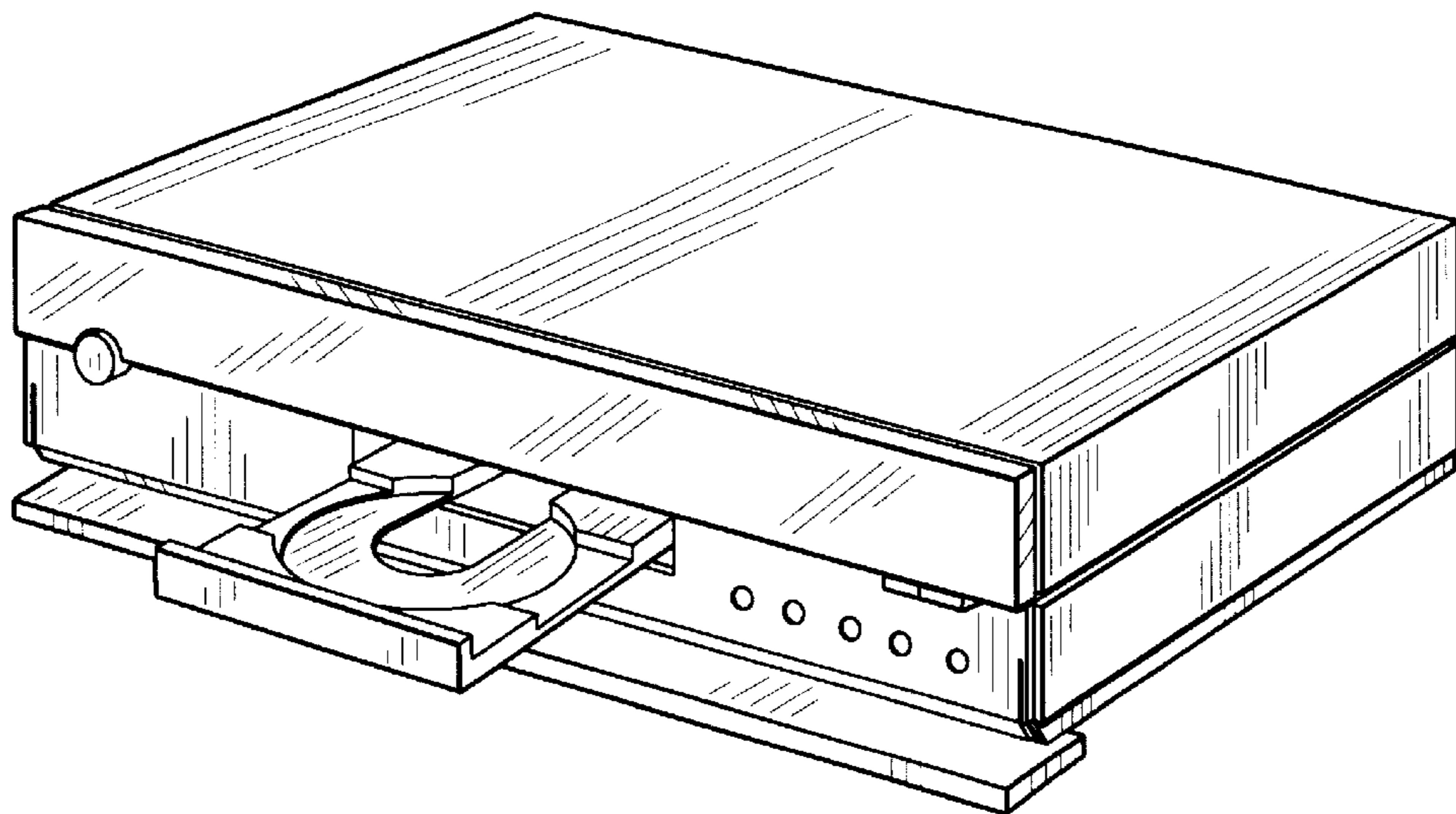


FIG. 2

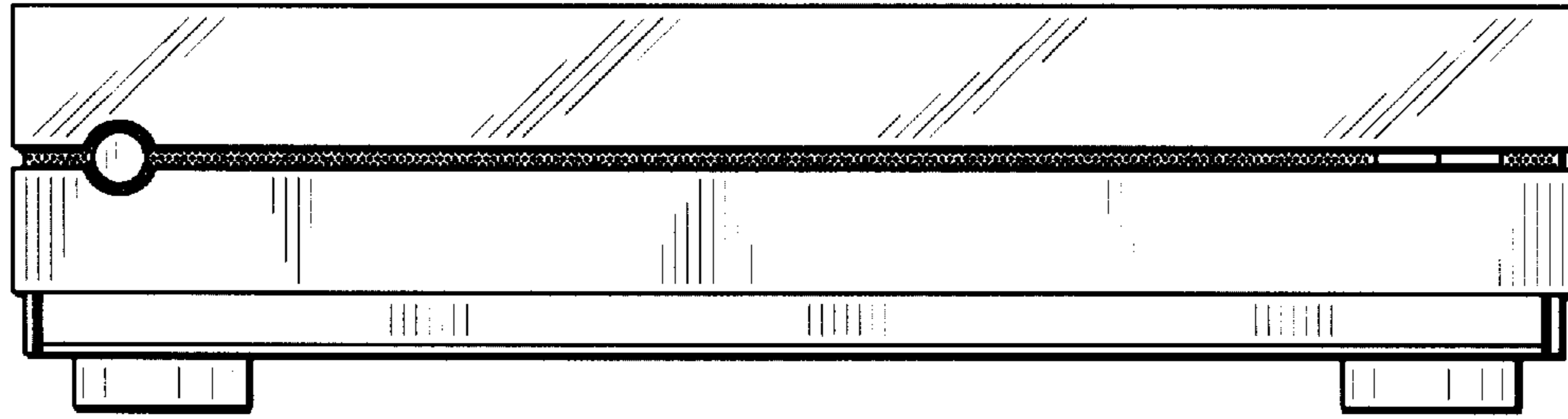


FIG.3

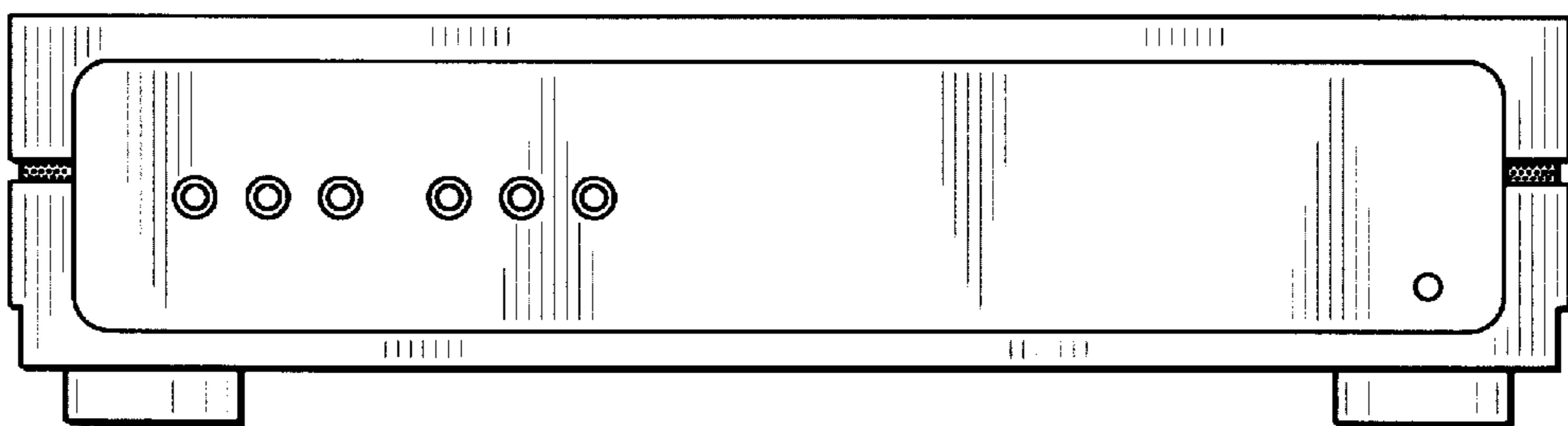


FIG.4

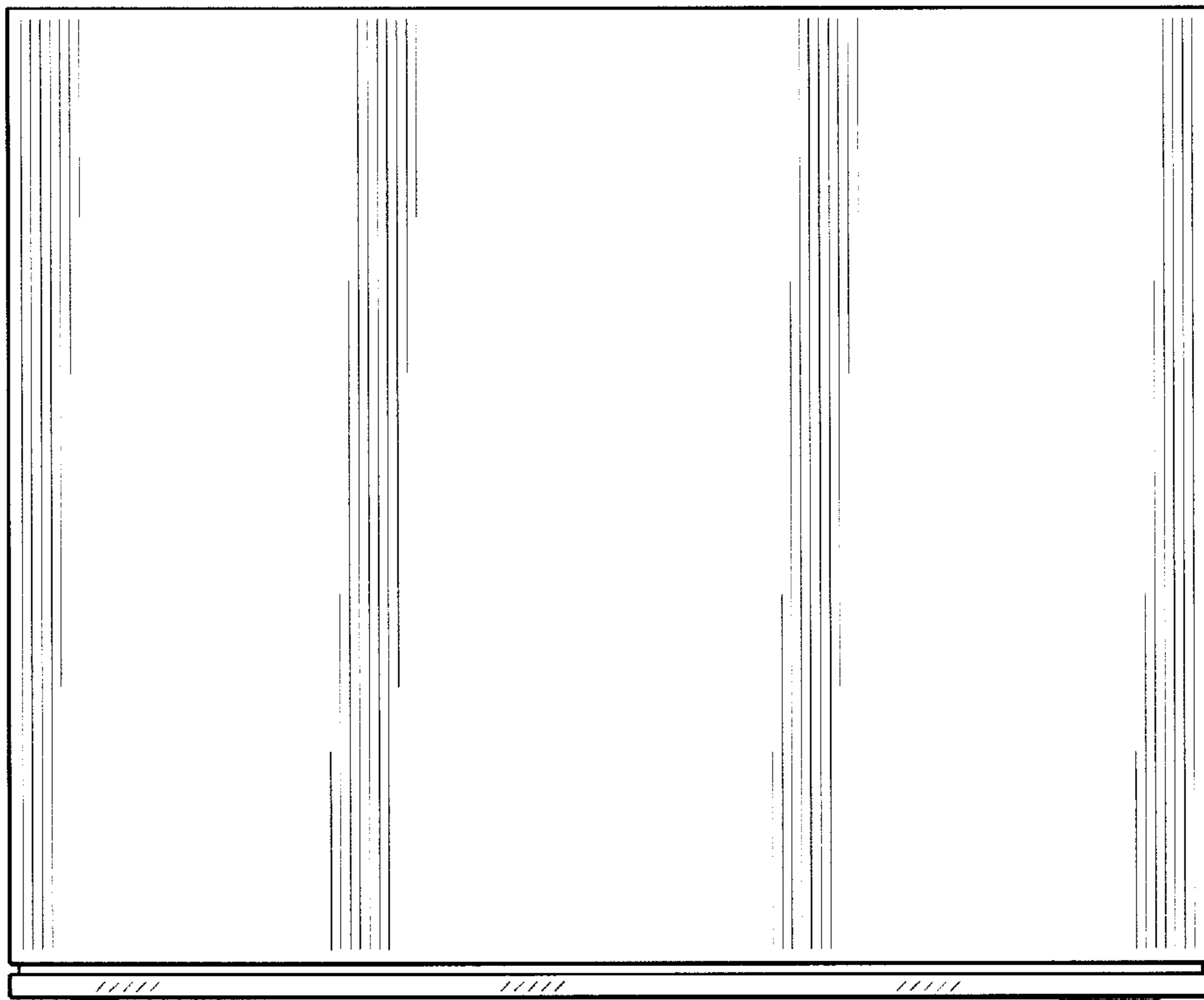


FIG.5

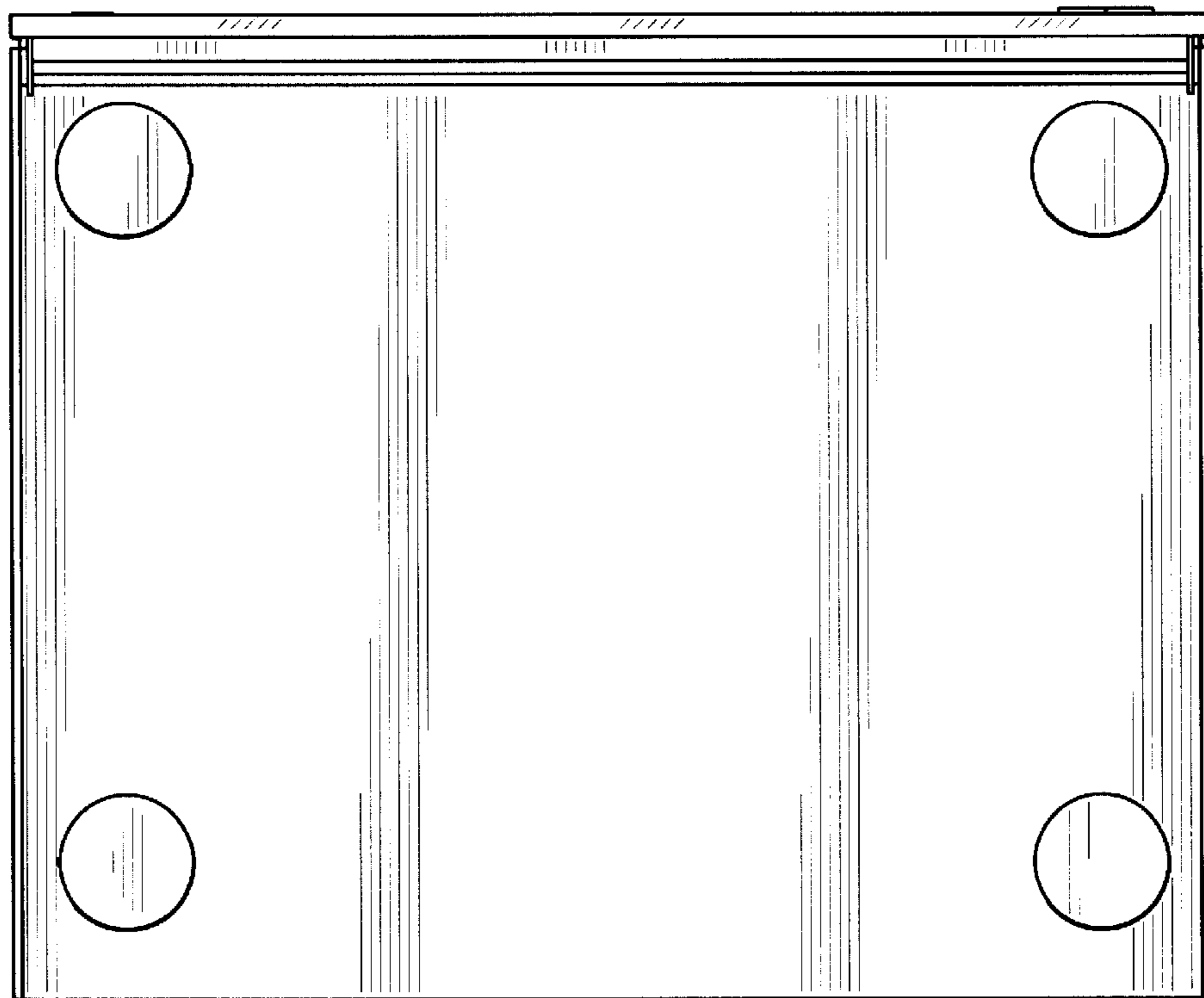


FIG. 6

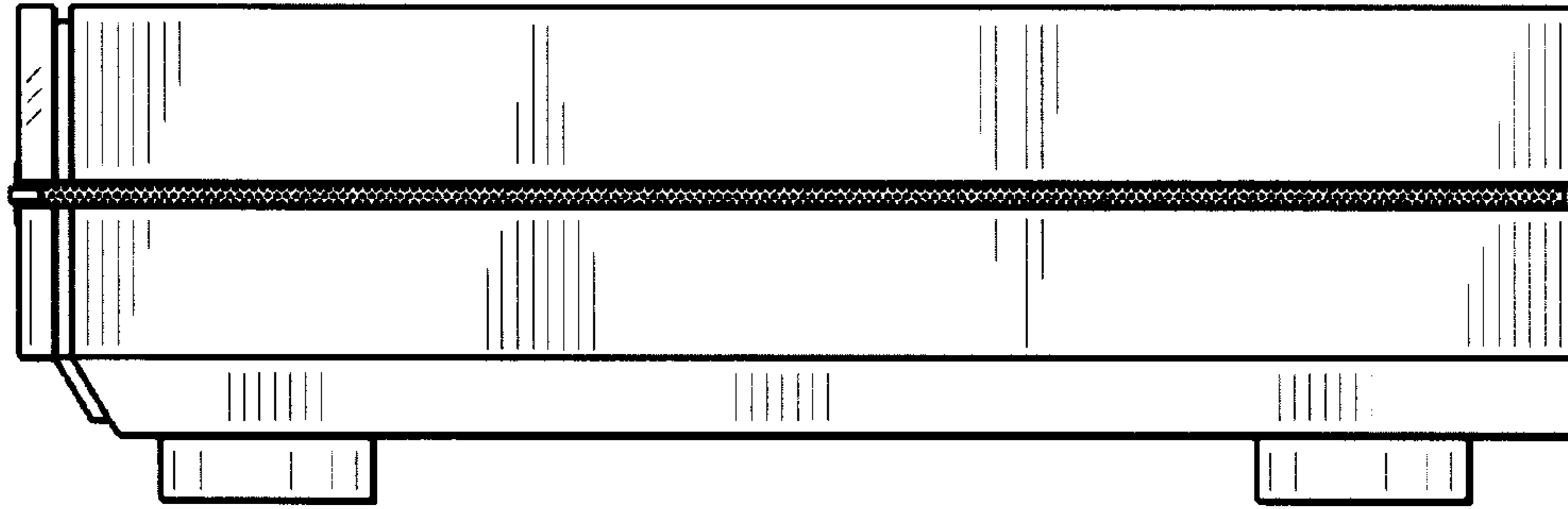


FIG. 7

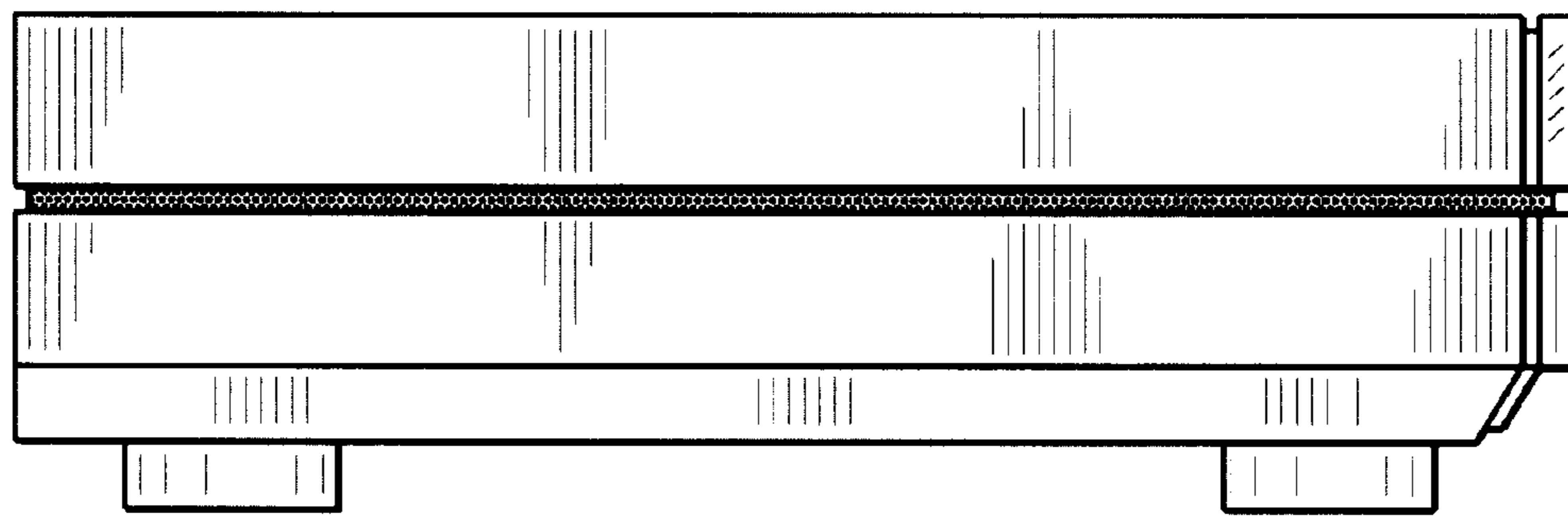


FIG. 8

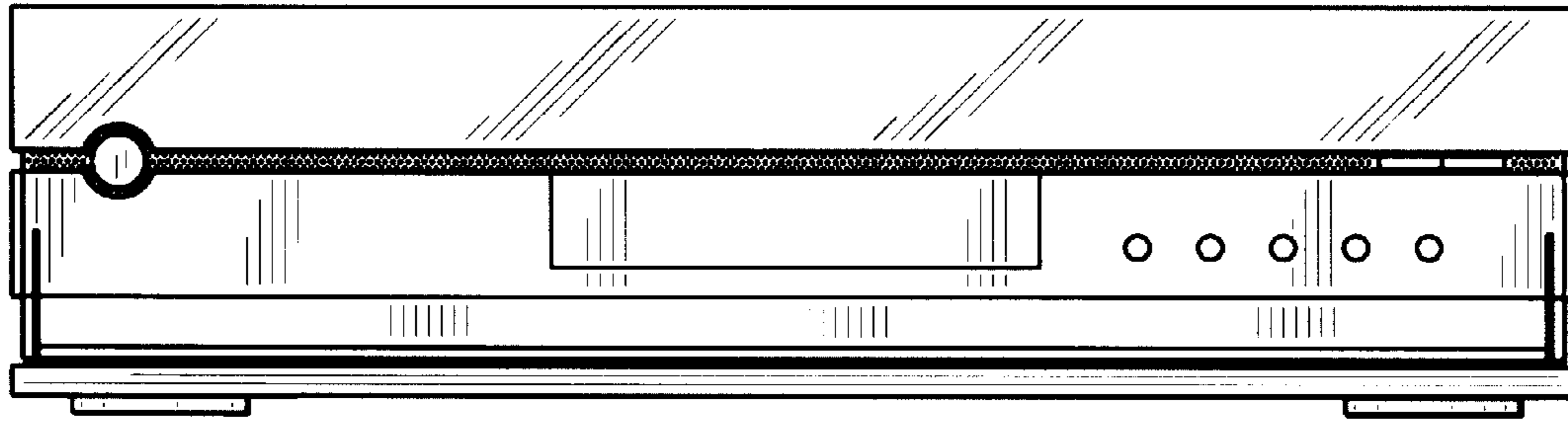


FIG. 9

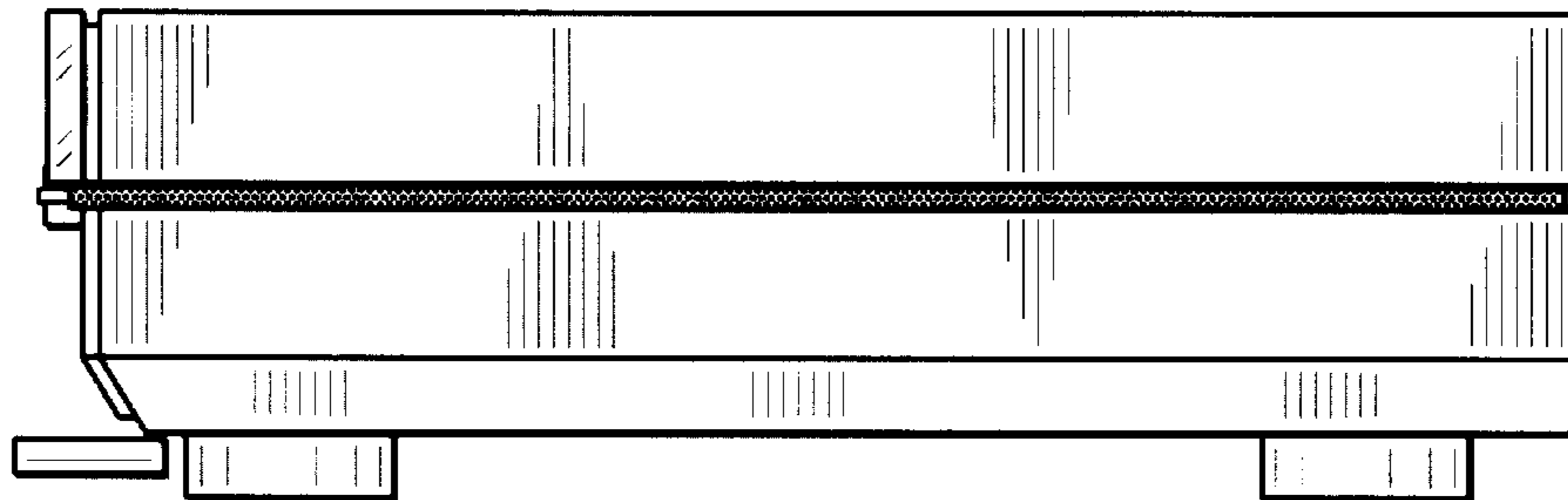


FIG. 10