

US00D531970S

(12) **United States Design Patent**
Tsai et al.

(10) **Patent No.:** **US D531,970 S**

(45) **Date of Patent:** **** Nov. 14, 2006**

(54) **DIGITAL VIDEO DISK PLAYER**

(75) Inventors: **Cheng-Chieh Tsai**, Tu-Chen (TW);
Tzu-Cheng Yu, Santa Clara, CA (US);
Ping Huo, Shenzhen (CN); **Yu-Chung Liang**,
Tu-Chen (TW); **Hong-Xiu Luo**, Shenzhen (CN);
Ho-An Chen, Tu-Chen (TW)

(73) Assignee: **Hon Hai Precision Ind. Co., Ltd.**,
Taipei Hsien (TW)

(**) Term: **14 Years**

(21) Appl. No.: **29/213,225**

(22) Filed: **Sep. 14, 2004**

(30) **Foreign Application Priority Data**

Jul. 2, 2004 (CN) 2004 3 0043966

(51) **LOC (8) Cl.** **14-03**

(52) **U.S. Cl.** **D14/129; D14/132**

(58) **Field of Classification Search** D14/125,
D14/129, 132, 136, 156, 374, 375; 348/180,
348/184, 325, 838; 341/12; 345/104, 133,
345/156, 168, 173, 87; 720/605, 669, 600,
720/655; 369/99, 197; 455/344, 345, 346,
455/347, 566; 368/12

See application file for complete search history.

(56) **References Cited**

U.S. PATENT DOCUMENTS

D445,100 S * 7/2001 Sawai D14/136
D447,738 S * 9/2001 Usami et al. D14/136

D456,373 S * 4/2002 Usami et al. D14/136
D484,472 S * 12/2003 Isshiki D14/132
D485,540 S * 1/2004 Isshiki D14/129
D501,452 S * 2/2005 Peng D14/129
D501,453 S * 2/2005 Peng D14/129
D501,656 S * 2/2005 Peng D14/129
D501,833 S * 2/2005 Peng D14/129
D501,835 S * 2/2005 Peng D14/129
D507,548 S * 7/2005 Peng D14/129
D510,330 S * 10/2005 Peng D14/132
D513,500 S * 1/2006 Chen D14/129

* cited by examiner

Primary Examiner—Philip S. Hyder

(74) *Attorney, Agent, or Firm*—Wei Te Chung

(57) **CLAIM**

The ornamental design for a digital video disk player, as shown and described.

DESCRIPTION

FIG. 1 is a perspective view of a digital video disk player showing our new design;

FIG. 2 is a front view thereof;

FIG. 3 is a rear view thereof;

FIG. 4 is a left side elevational view thereof;

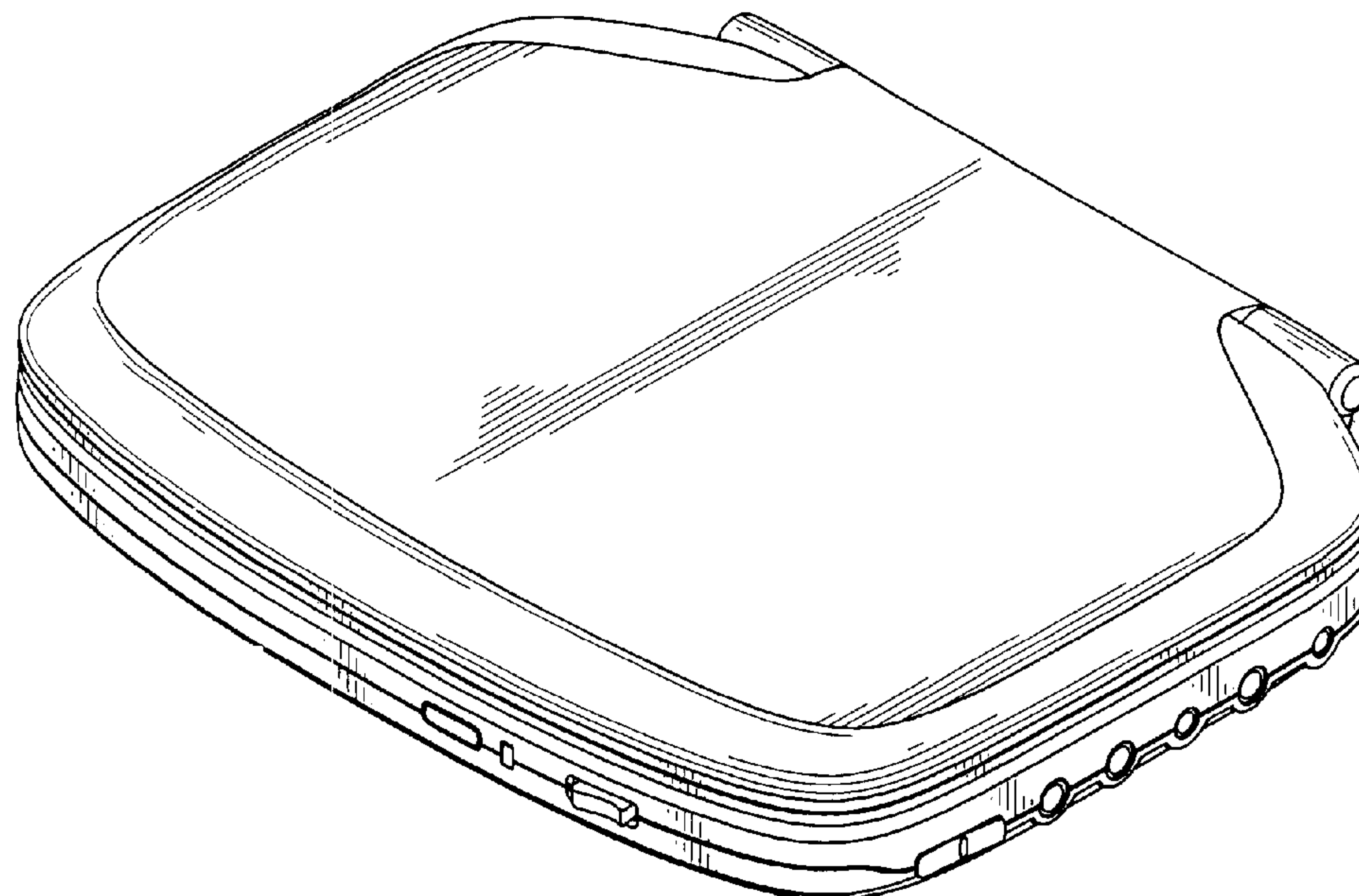
FIG. 5 is a right side elevational view thereof;

FIG. 6 is a top plan view thereof;

FIG. 7 is a bottom plan view thereof; and,

FIG. 8 is a perspective view thereof, wherein the display cover is in the open position. Inside portion in broken lines is for illustrative purposes only and forms no part of the claimed design.

1 Claim, 6 Drawing Sheets



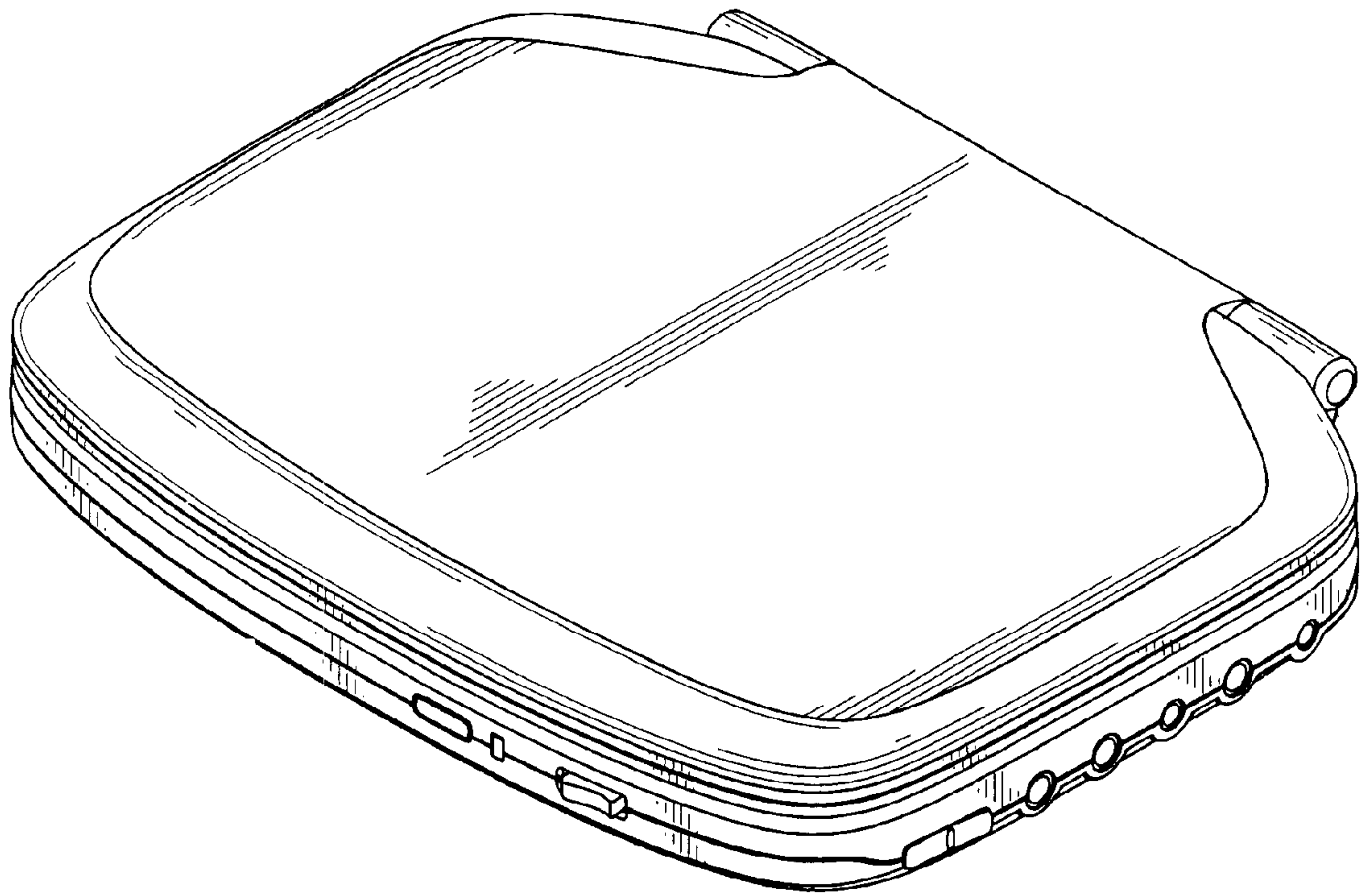


FIG. 1

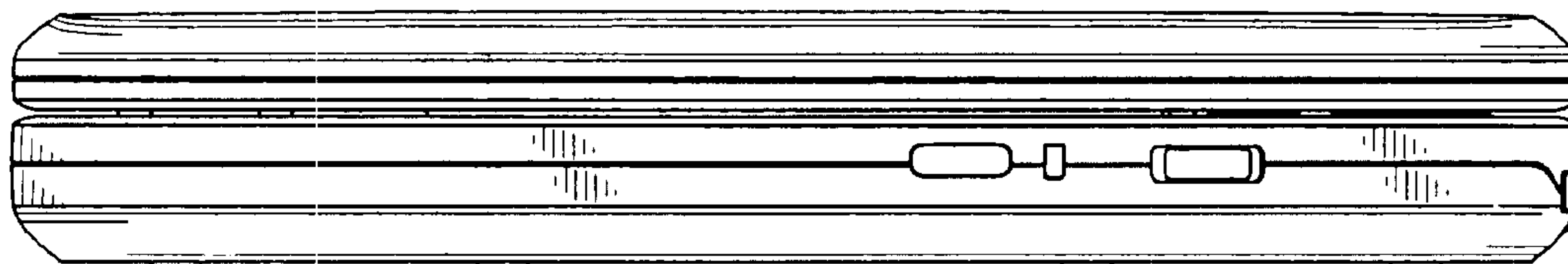


FIG. 2

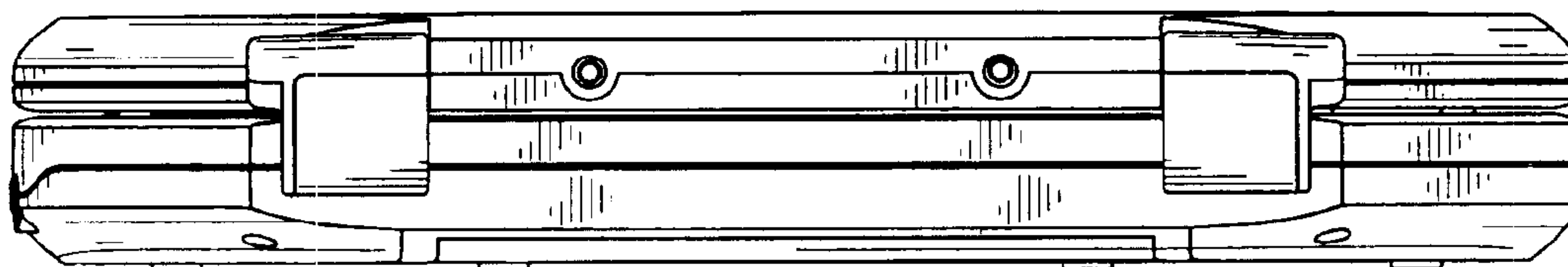


FIG. 3

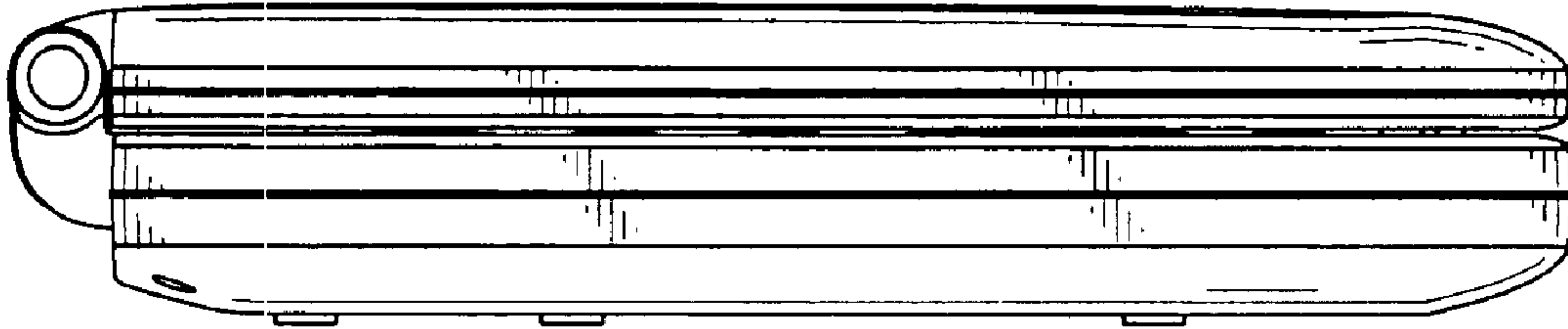


FIG. 4

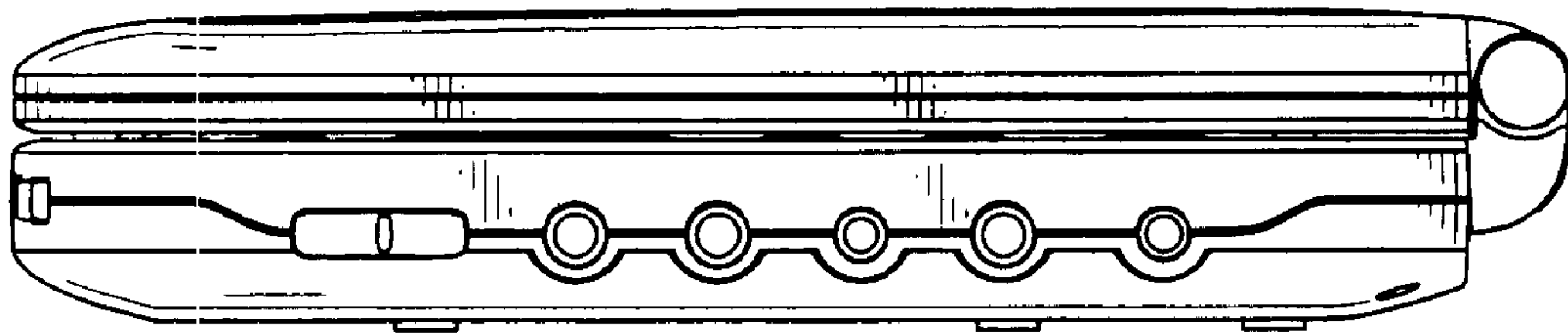


FIG. 5

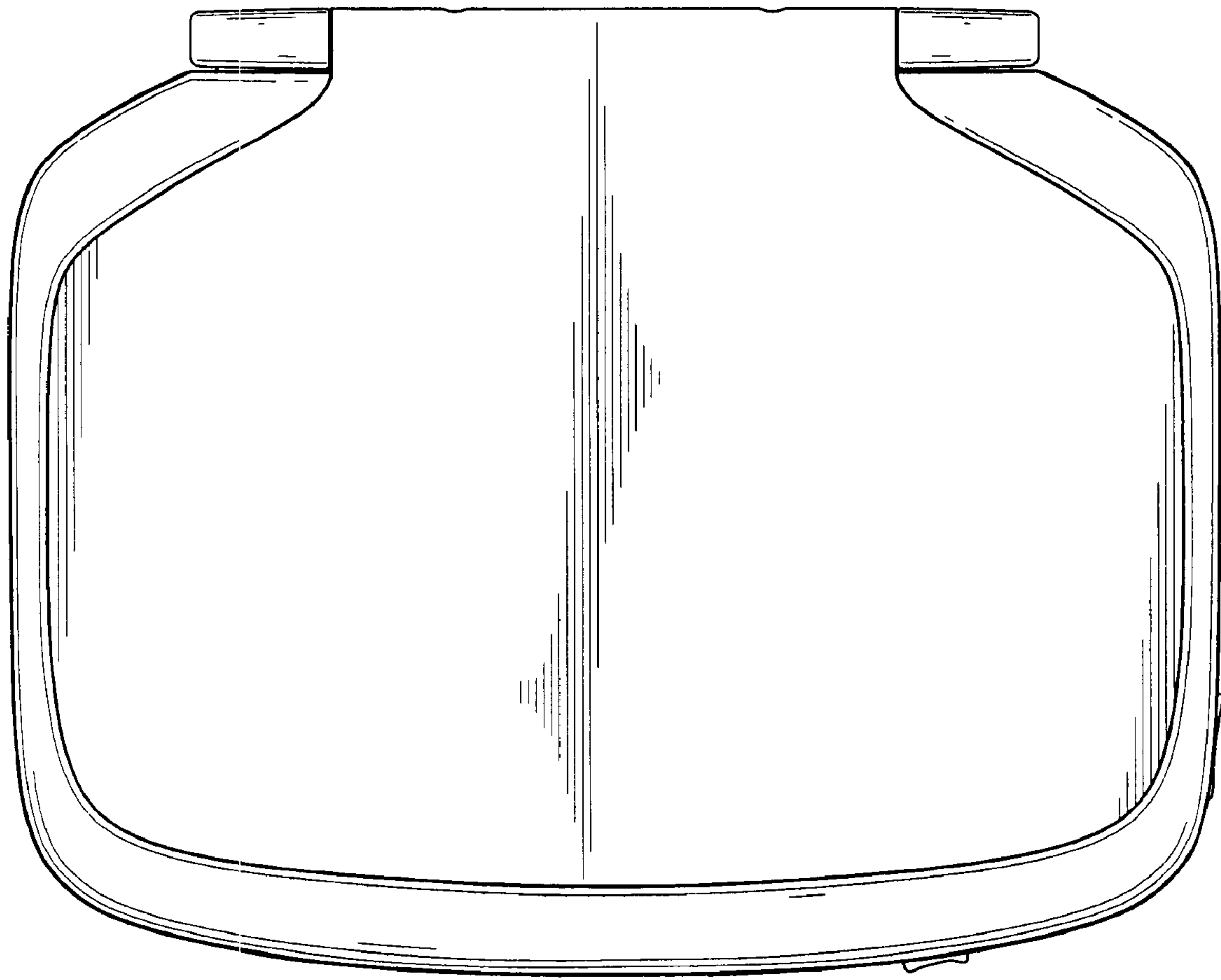


FIG. 6

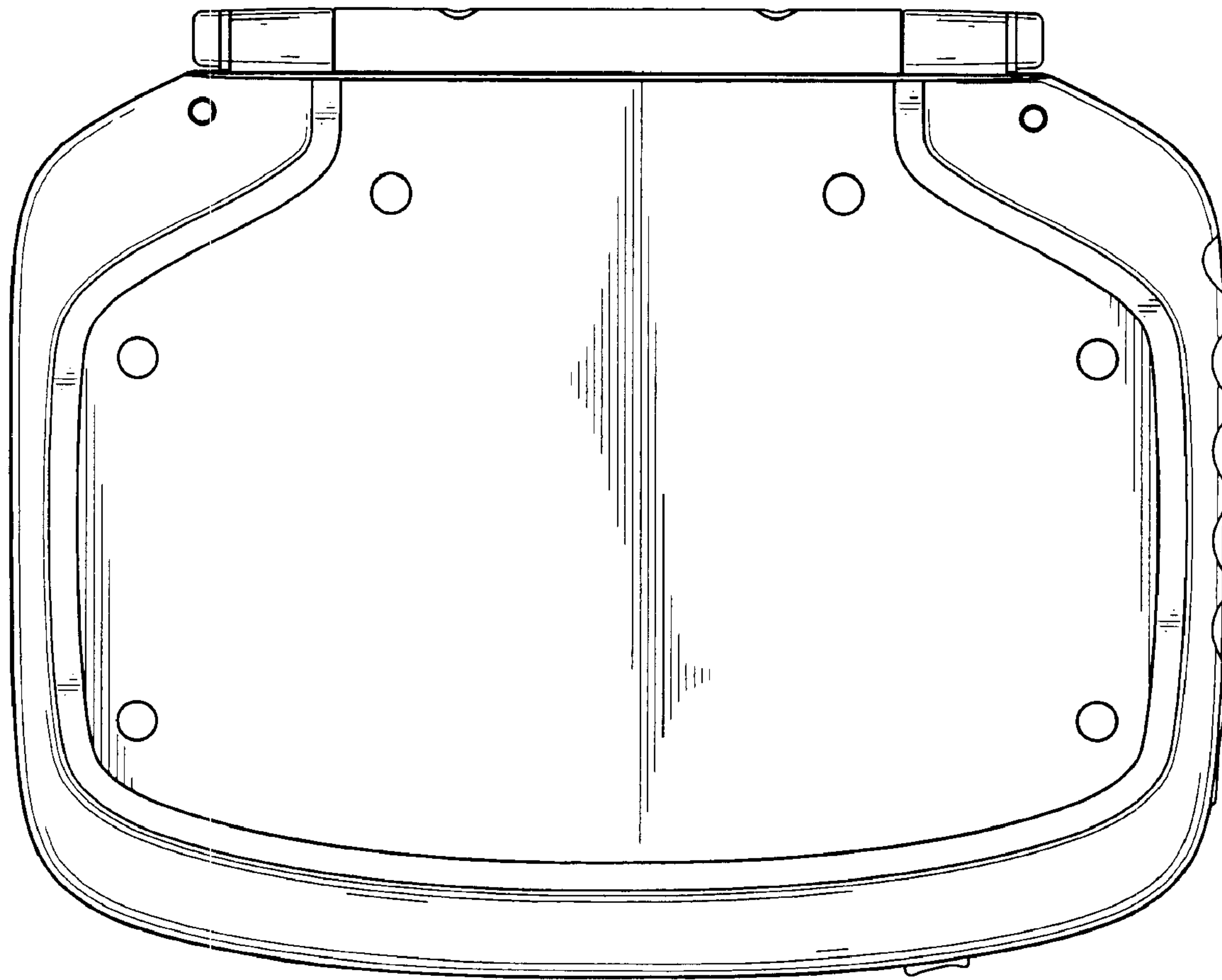


FIG. 7



FIG. 8