



US00D531969S

(12) **United States Design Patent**
Voege

(10) **Patent No.:** **US D531,969 S**

(45) **Date of Patent:** **** Nov. 14, 2006**

(54) **TELEVISION SET**

(75) Inventor: **Michael Voege**, Sunnyvale, CA (US)

(73) Assignee: **Hannspree, Inc.**, Taipei (TW)

(**) Term: **14 Years**

(21) Appl. No.: **29/243,079**

(22) Filed: **Nov. 21, 2005**

(30) **Foreign Application Priority Data**

May 27, 2005 (TW) 94303133

(51) **LOC (8) Cl.** **14-03**

(52) **U.S. Cl.** **D14/126**

(58) **Field of Classification Search** D14/125-134,
D14/239, 371, 136, 374-377; 312/7.2; 348/836,
348/838, 180, 184, 325, 739; 341/12; 248/917-924,
248/465; 345/104, 133, 156, 168, 87, 173;
720/605, 669, 600, 655; 369/99, 197; 455/344-347
See application file for complete search history.

(56) **References Cited**

U.S. PATENT DOCUMENTS

D453,153 S * 1/2002 Yu et al. D14/240

D471,550 S * 3/2003 Lin D14/375
D472,554 S * 4/2003 Zuege et al. D14/371
D483,364 S * 12/2003 Olson et al. D14/375

* cited by examiner

Primary Examiner—Raphael Barkai

(74) *Attorney, Agent, or Firm*—Birch, Stewart, Kolasch & Birch, LLP

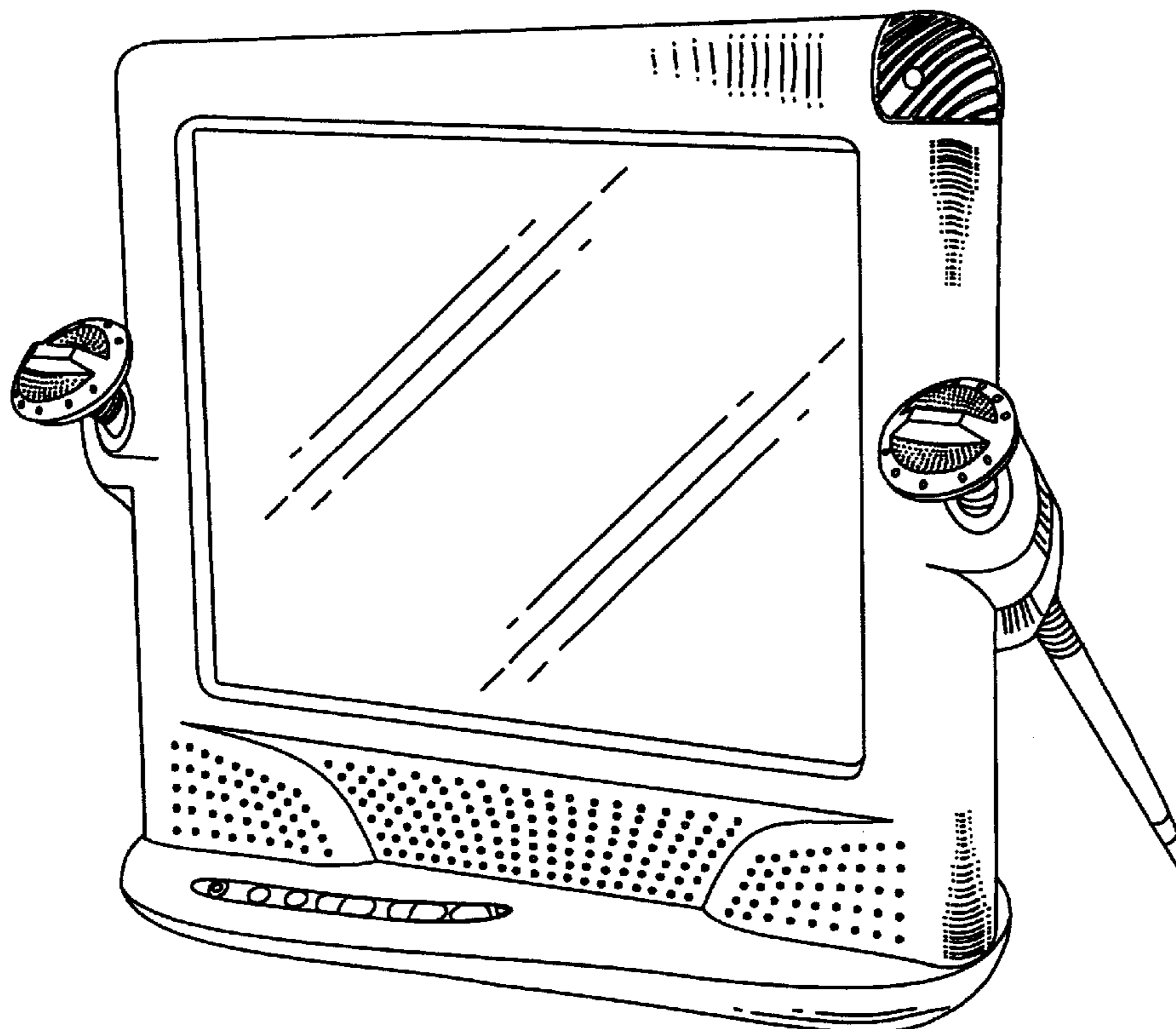
(57) **CLAIM**

The ornamental design for a television set, as shown and described.

DESCRIPTION

FIG. 1 is a front perspective view thereof;
FIG. 2 is a front elevational view thereof;
FIG. 3 is a rear elevational view thereof;
FIG. 4 is a left side elevational view thereof;
FIG. 5 is a right side elevational view thereof;
FIG. 6 is a top plan view thereof; and,
FIG. 7 is a bottom plan view thereof.

1 Claim, 7 Drawing Sheets



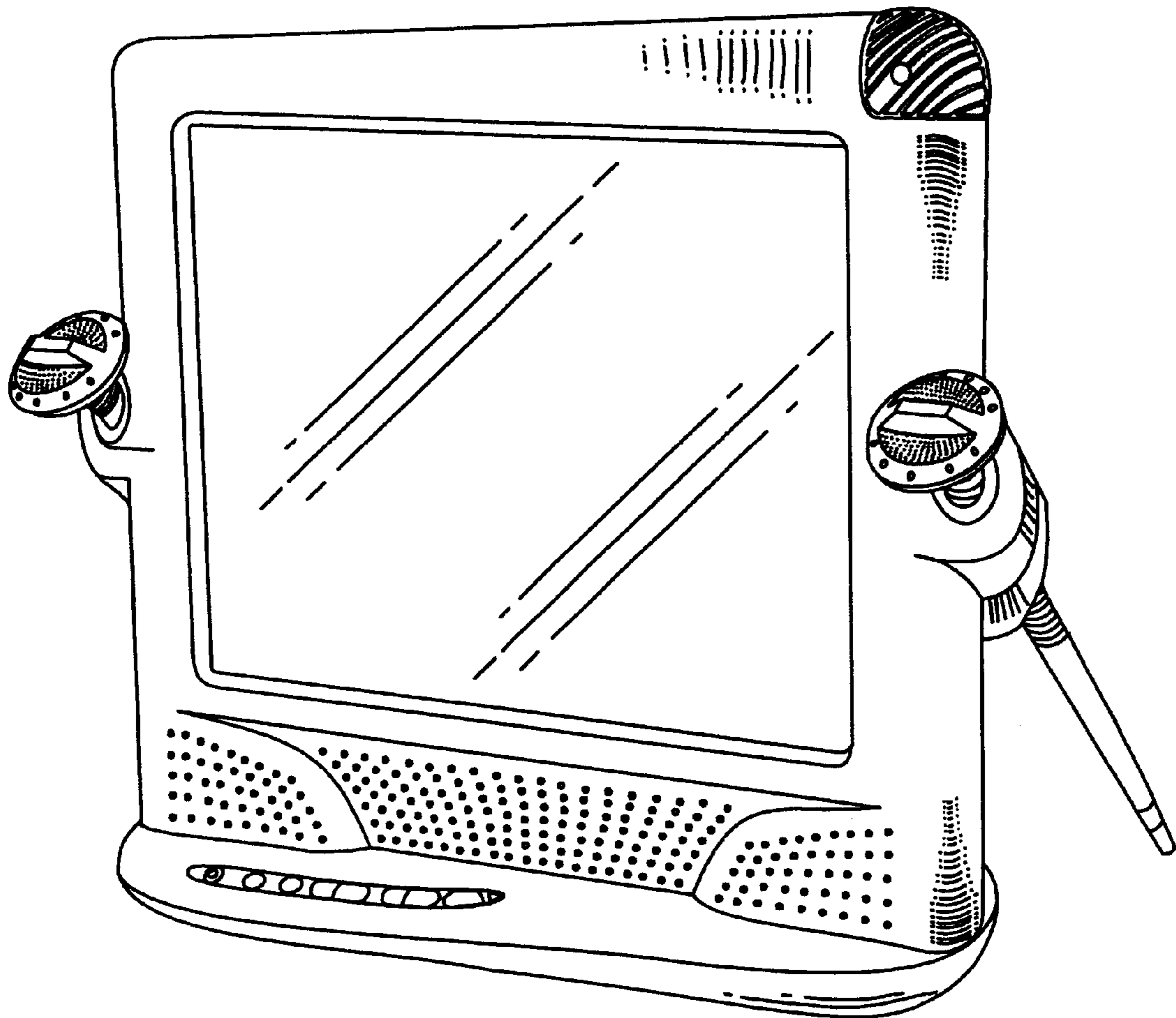


FIG.1

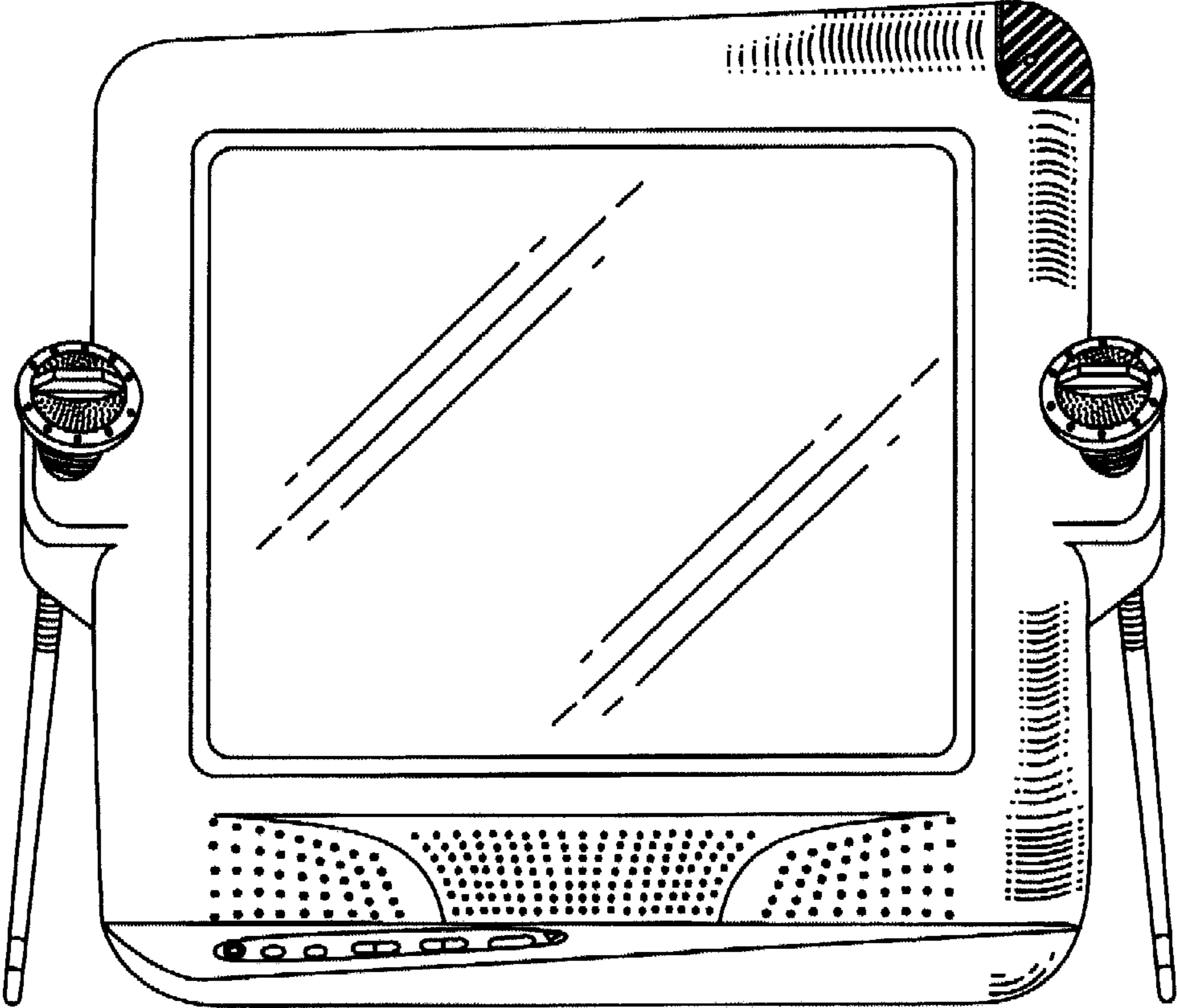


FIG. 2

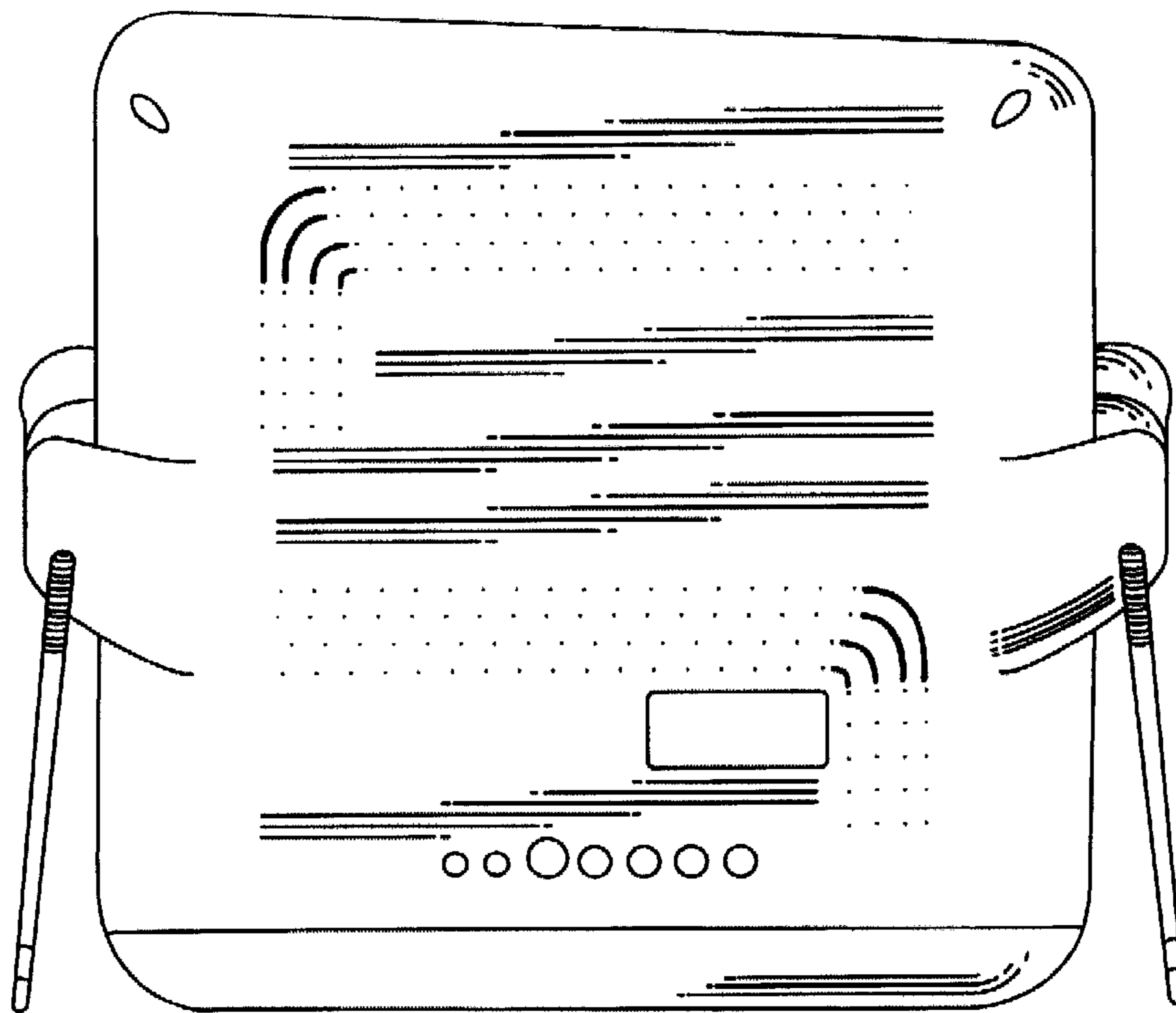


FIG 3

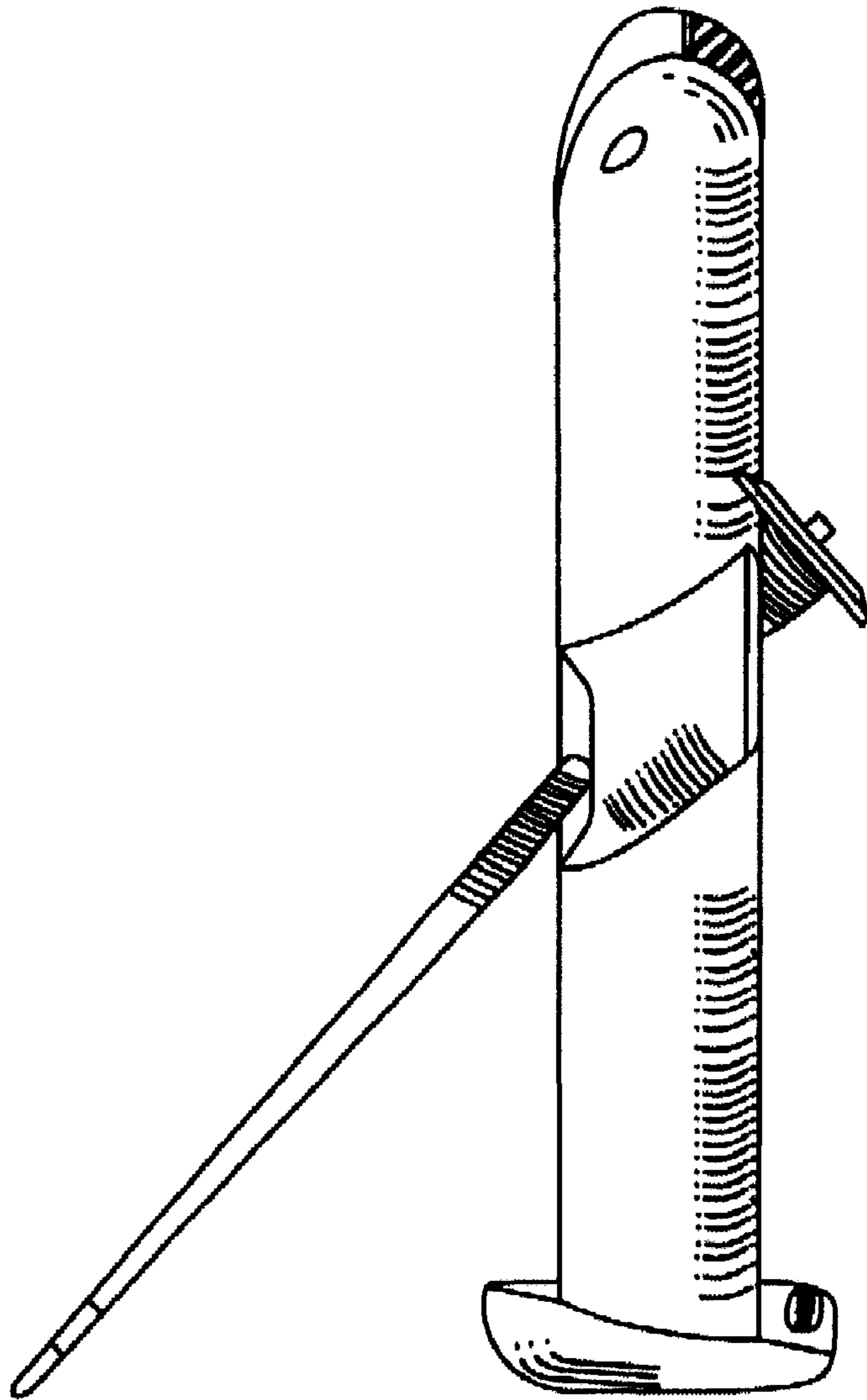


FIG. 4

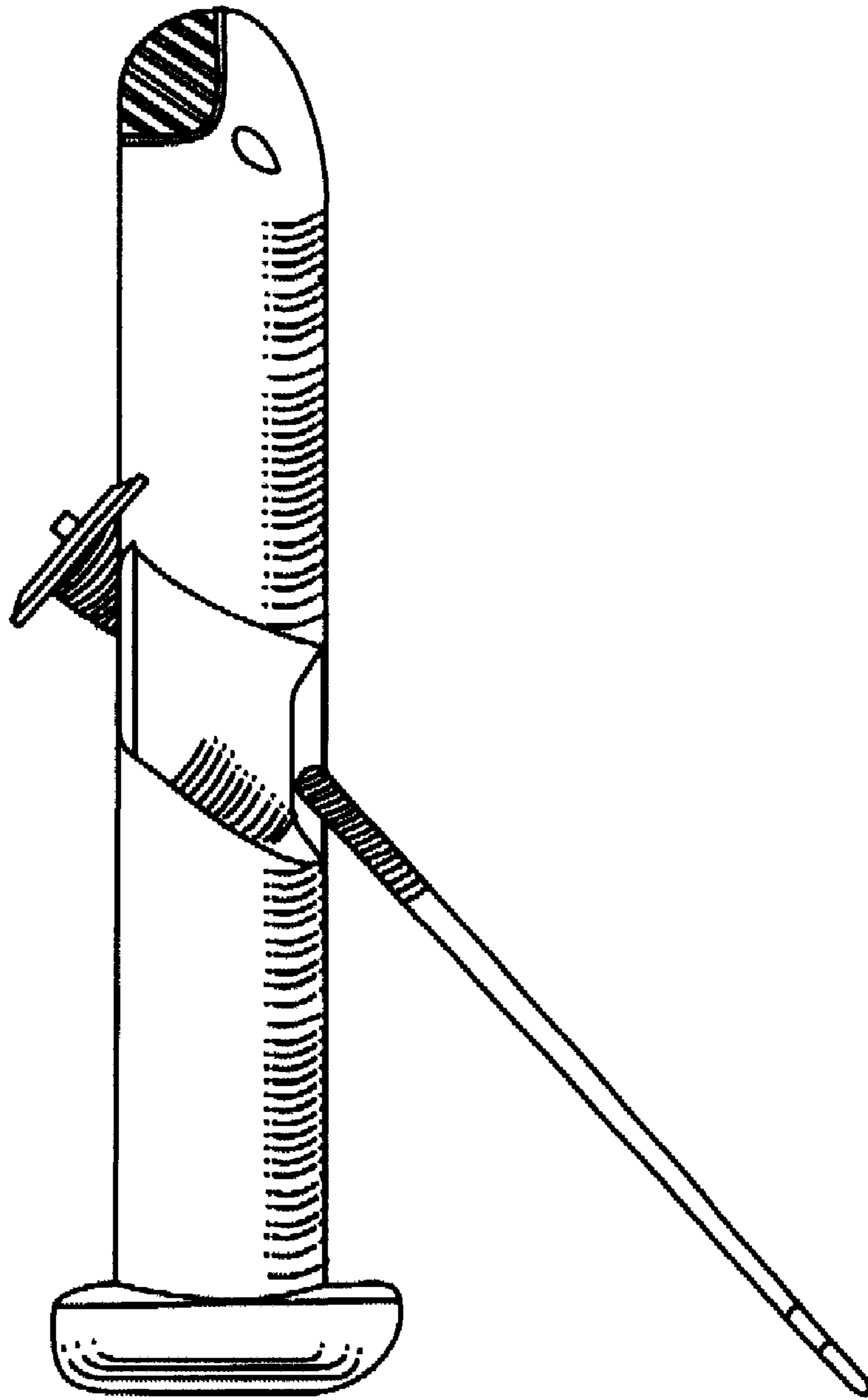


FIG. 5

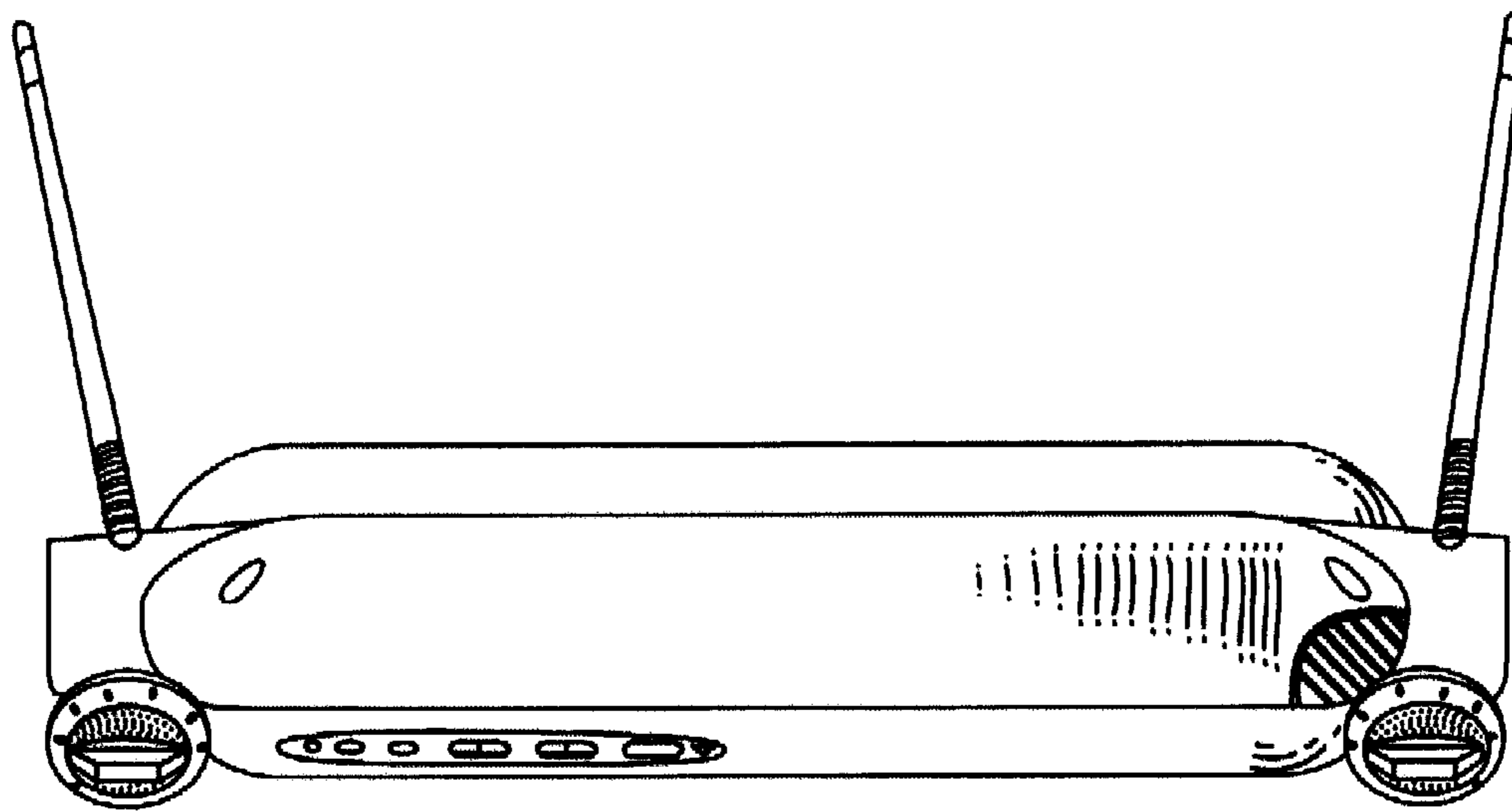


FIG. 6

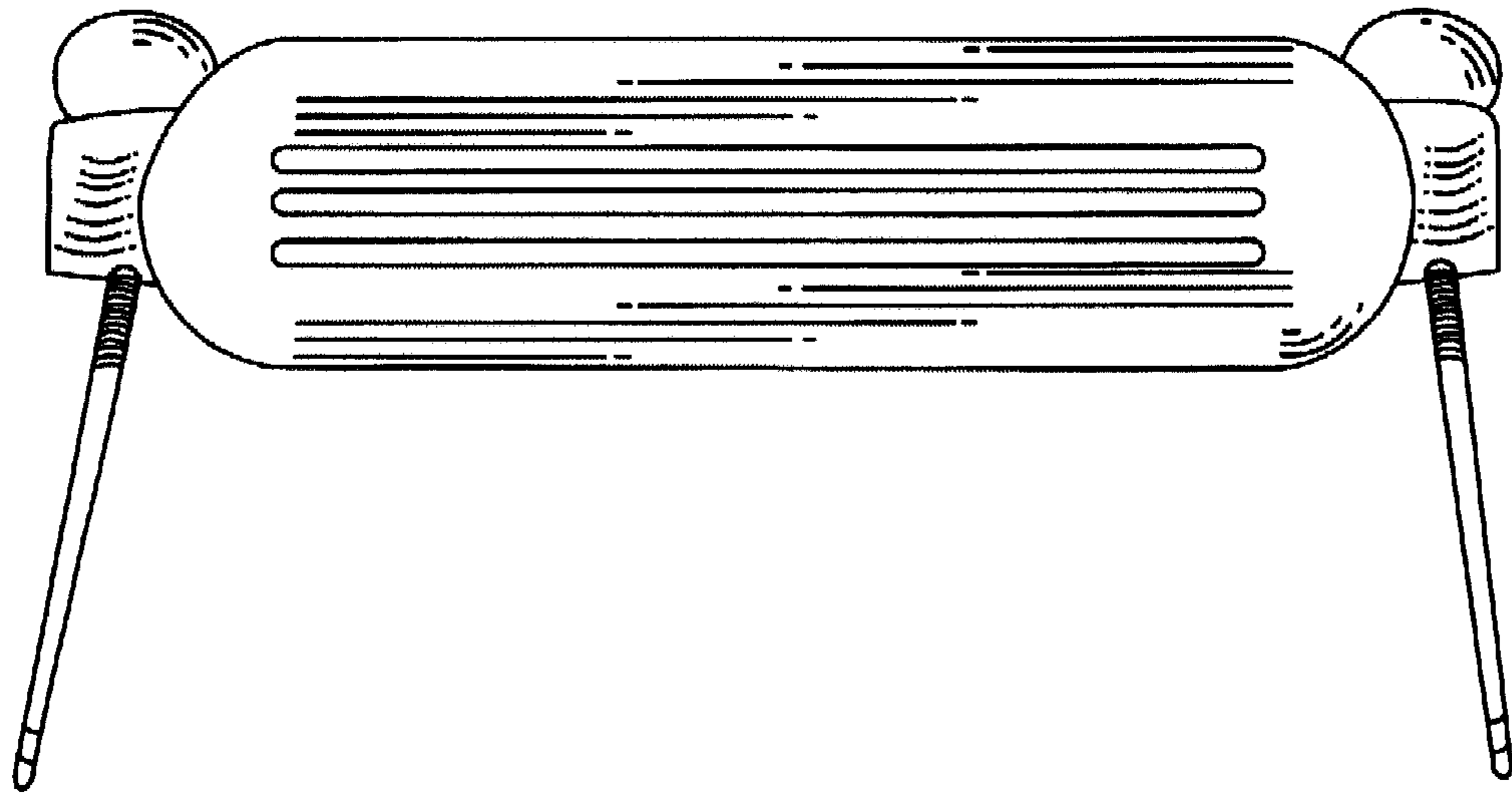


FIG. 7