

US00D531968S

(12) **United States Design Patent**
Nakata

(10) **Patent No.:** **US D531,968 S**

(45) **Date of Patent:** **** Nov. 14, 2006**

(54) **TELEVISION SET**

(75) Inventor: **Kazuyuki Nakata**, Tokyo (JP)

(73) Assignee: **Hannspree, Inc.**, Taipei (TW)

(**) Term: **14 Years**

(21) Appl. No.: **29/241,647**

(22) Filed: **Oct. 31, 2005**

(30) **Foreign Application Priority Data**

Jun. 10, 2005 (TW) 94303482

(51) **LOC (8) Cl.** **14-03**

(52) **U.S. Cl.** **D14/126**

(58) **Field of Classification Search** D14/125-134,
D14/239, 371, 136, 374-377; 312/7.2; 348/836,
348/838, 180, 184, 325, 739; 341/12; 248/917-924,
248/465; 345/104, 133, 156, 168, 87, 173;
720/605, 669, 600, 655; 369/99, 197; 455/344-347
See application file for complete search history.

(56) **References Cited**

U.S. PATENT DOCUMENTS

D183,780 S * 10/1958 Whipple 312/7.1

D186,629 S * 11/1959 Whipple D14/126

D412,892 S * 8/1999 Lee D14/375

D449,610 S * 10/2001 Chen D14/374

D468,740 S * 1/2003 Lin D14/375

D479,236 S * 9/2003 Borshoom et al. D14/375

D482,688 S * 11/2003 Jung D14/375

D502,152 S * 2/2005 Peng D14/126

D504,117 S * 4/2005 Cummings D14/126

D514,568 S * 2/2006 Huang et al. D14/375

* cited by examiner

Primary Examiner—Raphael Barkai

(74) *Attorney, Agent, or Firm*—Birch, Stewart, Kolasch & Birch, LLP

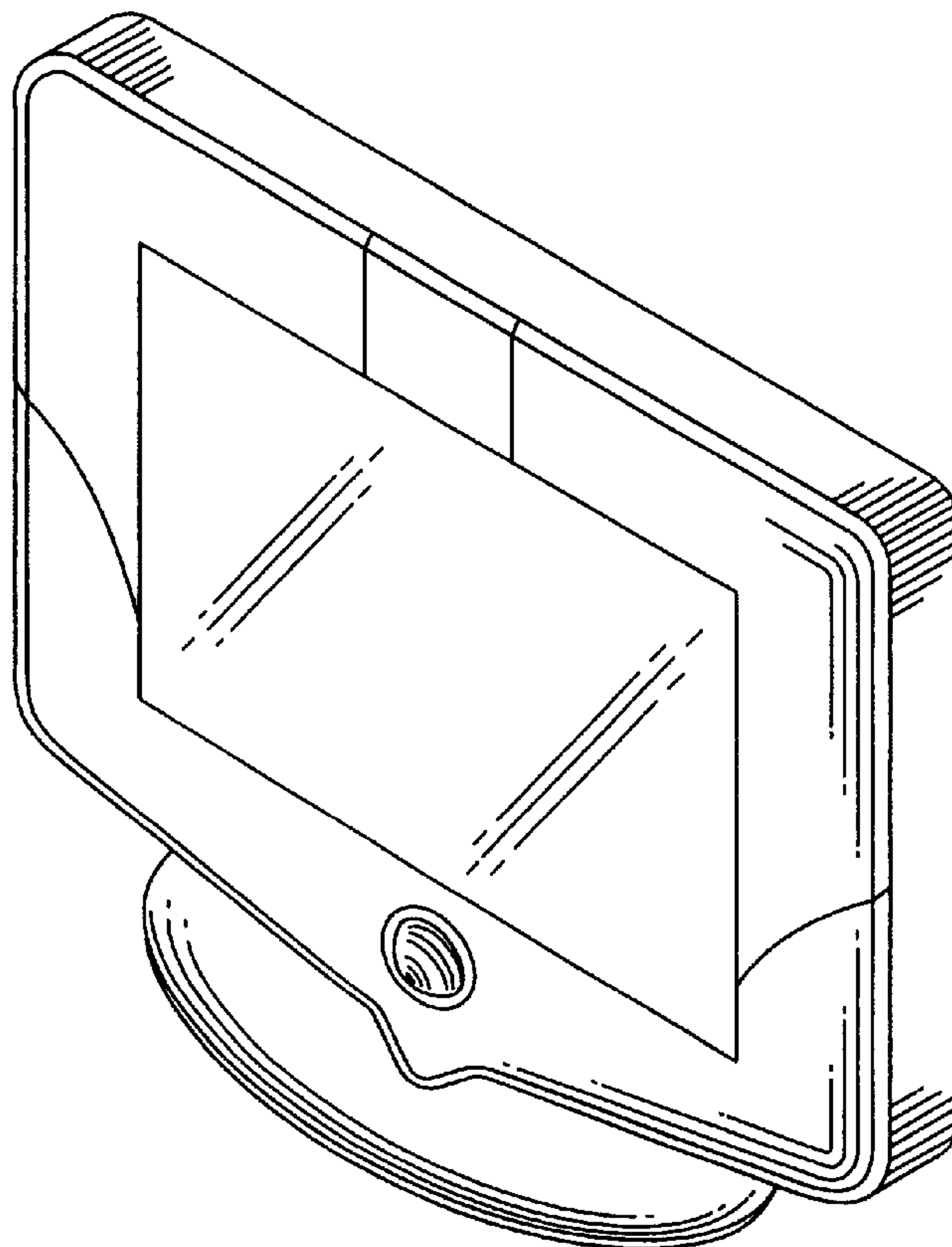
(57) **CLAIM**

The ornamental design for a television set, as shown and described.

DESCRIPTION

FIG. 1 is a front perspective view thereof;
FIG. 2 is a front elevational view thereof;
FIG. 3 is a rear elevational view thereof;
FIG. 4 is a left side elevational view thereof;
FIG. 5 is a right side elevational view thereof;
FIG. 6 is a top plan view thereof; and,
FIG. 7 is a bottom plan view thereof.

1 Claim, 7 Drawing Sheets



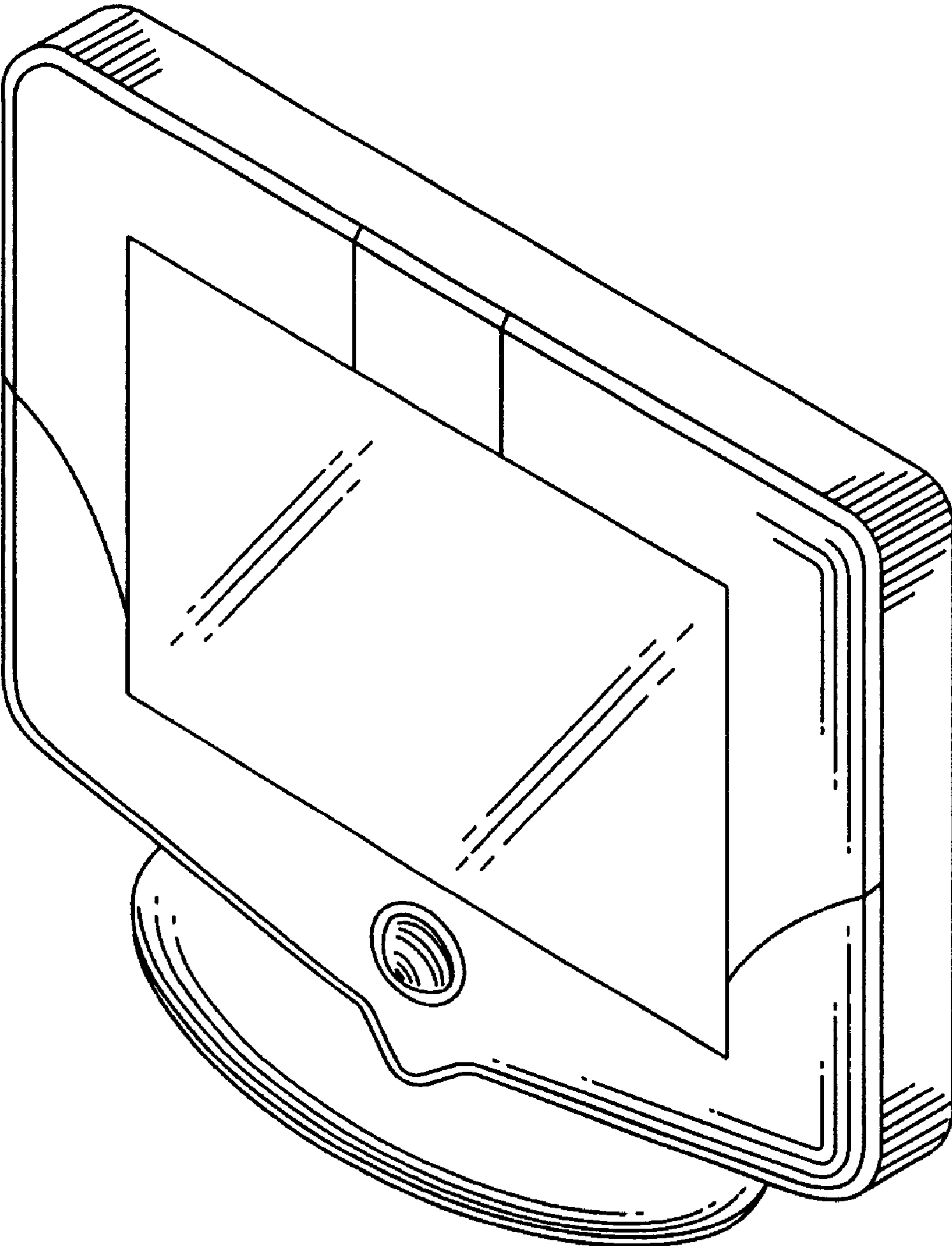


FIG.1

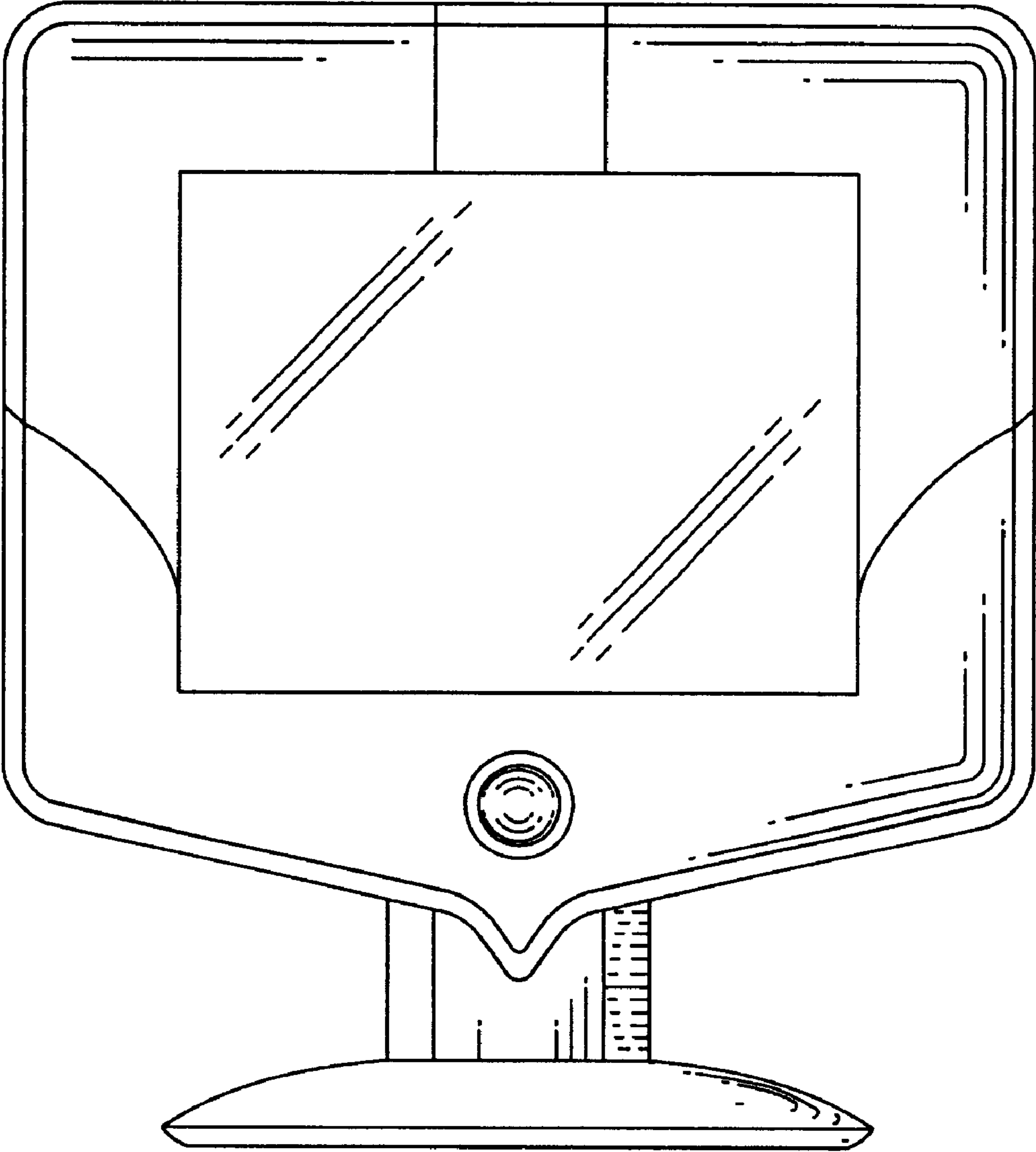


FIG. 2

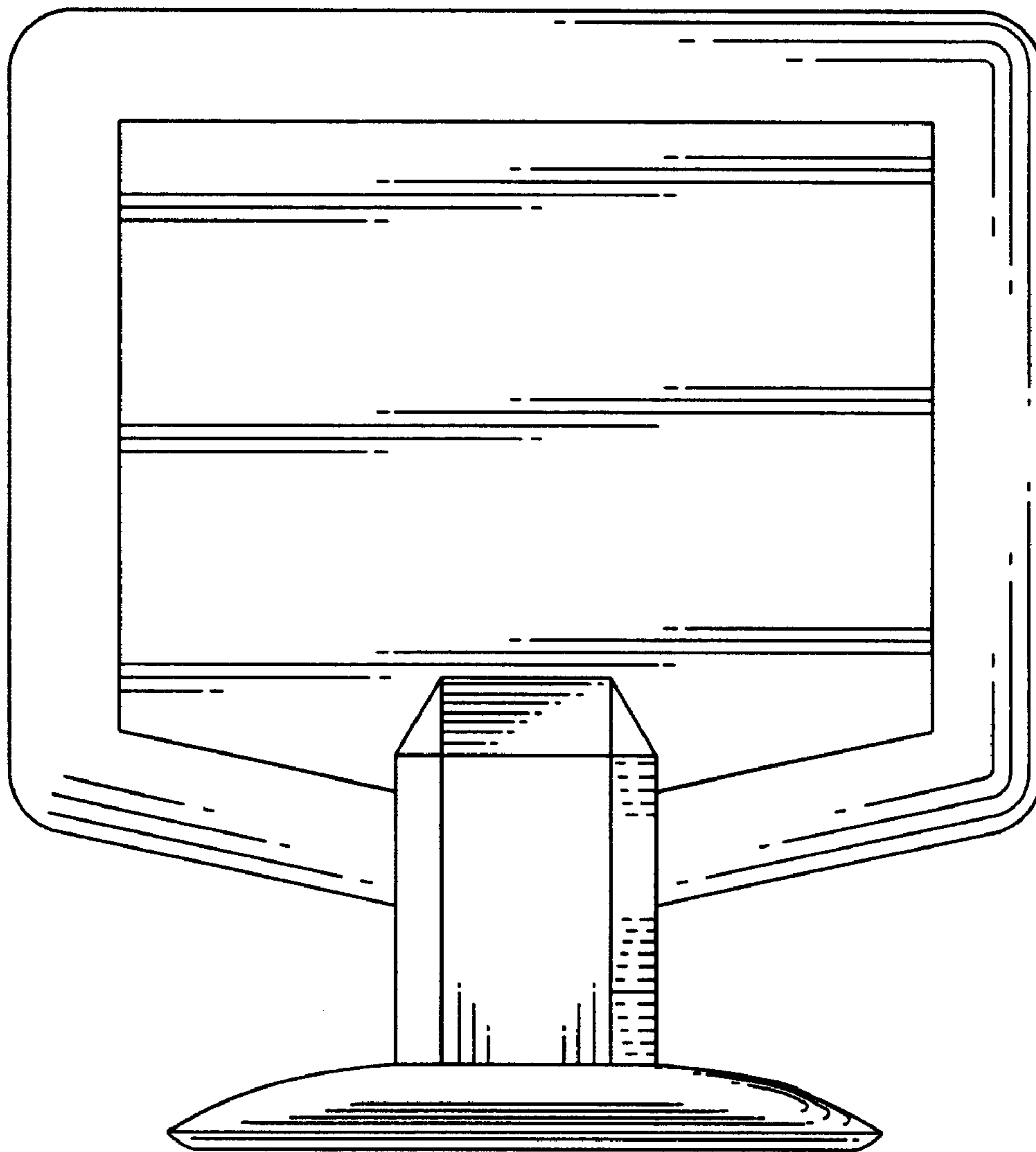


FIG. 3

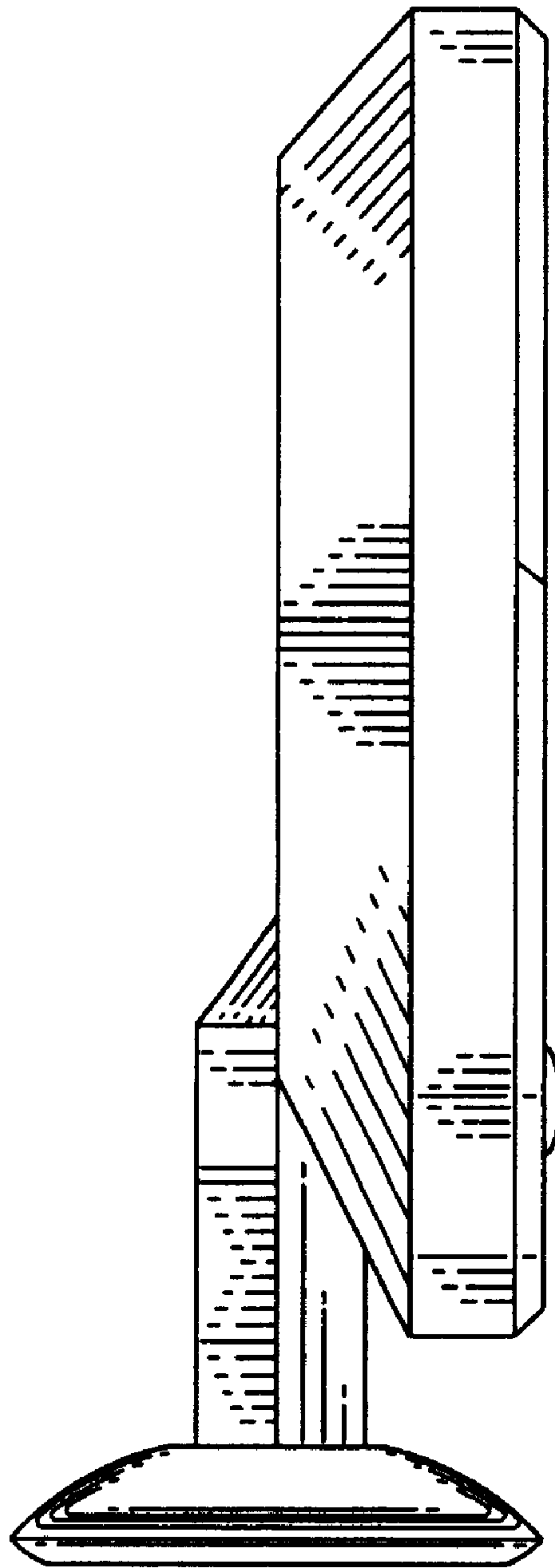


FIG. 4

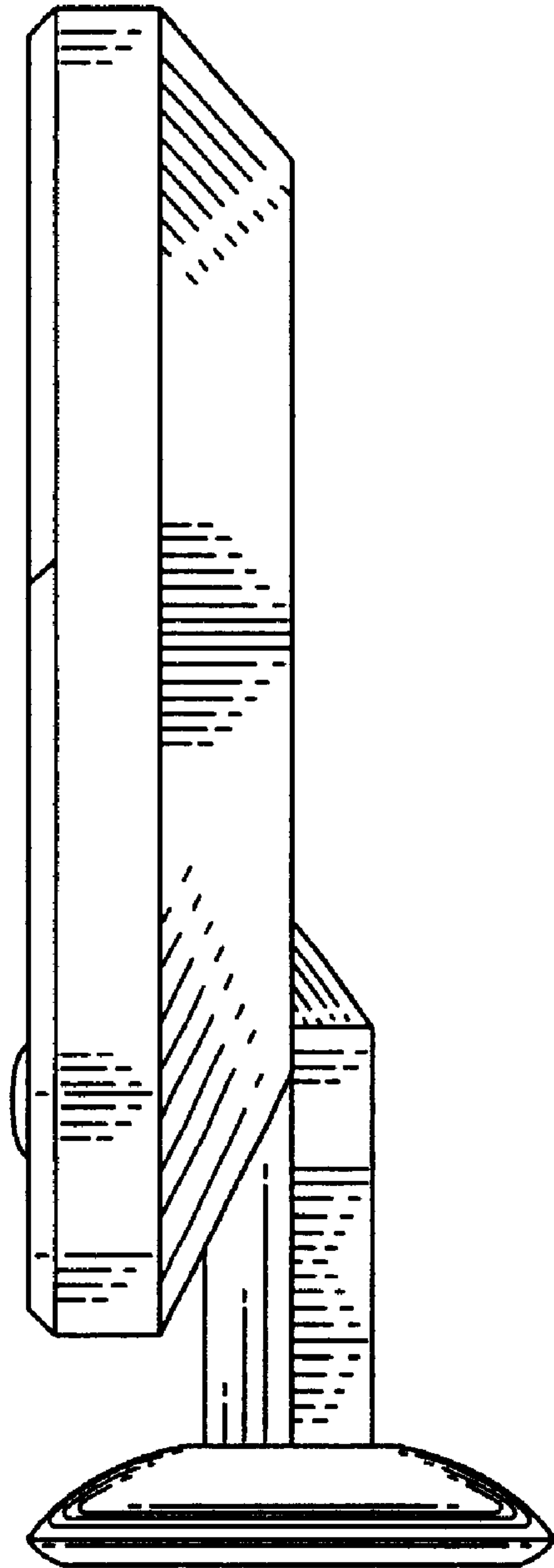


FIG. 5

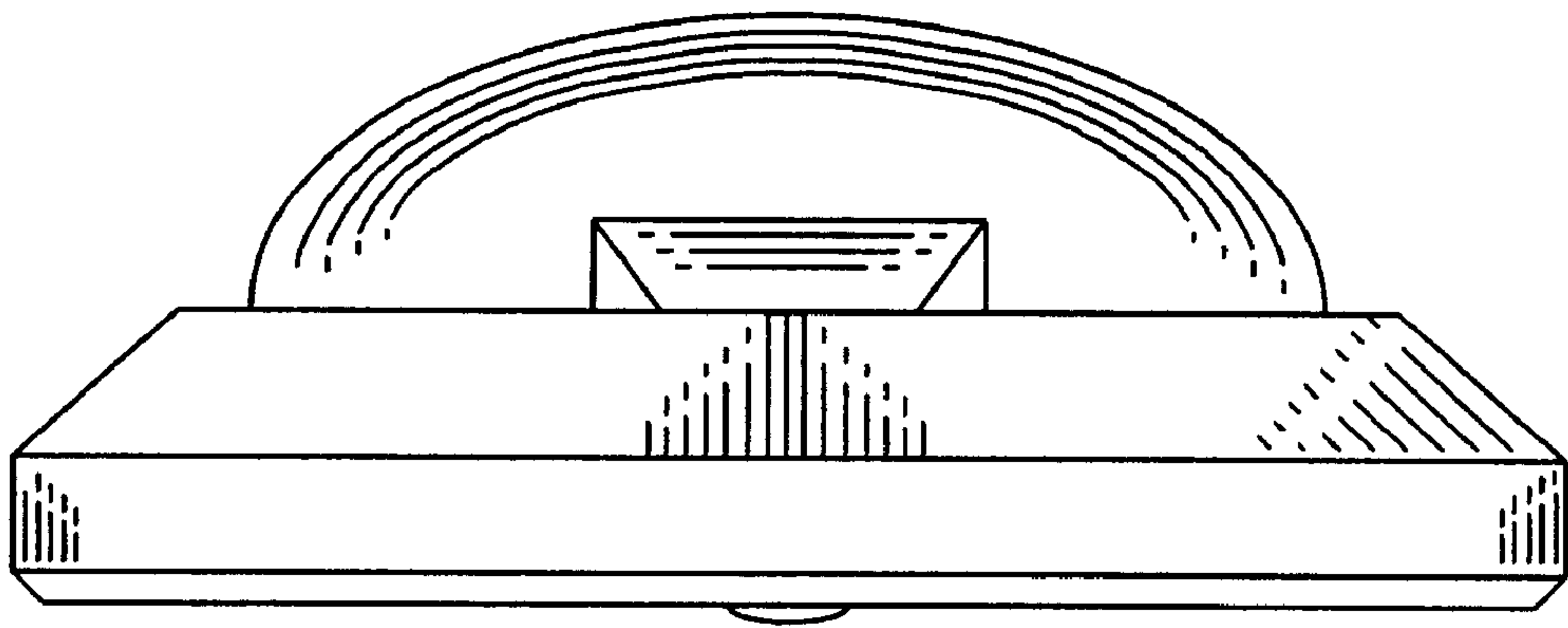


FIG. 6

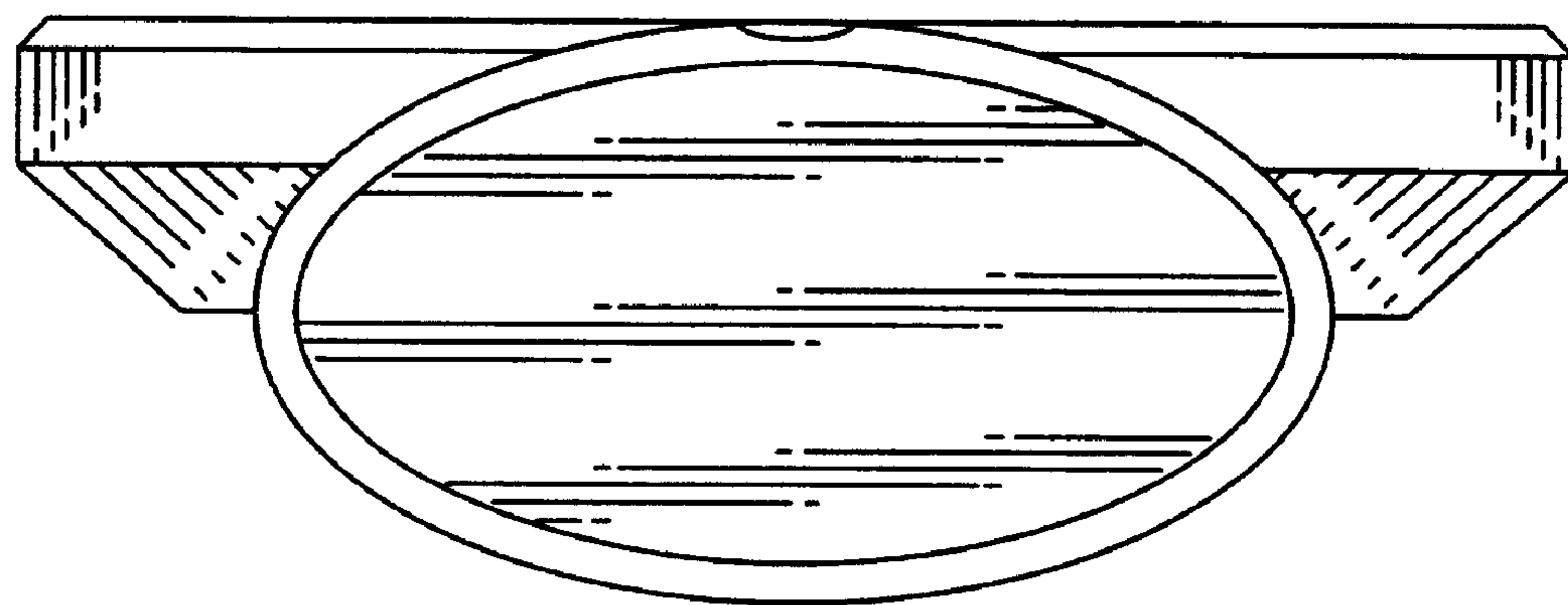


FIG. 7